



产品编号 : 643241019

Product Description : 2.80mm, CMC CP Female Terminal, Tin plated, for Tab Dimensions 2.80mm by 0.80mm, Wire Size > 3.00-5.00mm²

系列号 : 64324

状态 : Active

Product Category : Crimp Terminals

文件和资源

图纸

图纸 643241019_sd.pdf

3D 模型和设计文件

3D模型 643241019_stp.zip

规格

应用规格 AS-64318-002-001.pdf

应用规格 AS-64318-002-CH-001.pdf

应用规格 AS-64318-002-SP-001.pdf

应用规格 AS-64324-001-001.pdf

应用规格 AS-64324-001-CH-001.pdf

应用规格 AS-98420-001-001.pdf

应用规格 AS-98420-001-CH-001.pdf

应用规格 AS-98420-001-SP-001.pdf

应用规格 AS-64318-002-FR-001.pdf

应用规格 AS-64324-001-FR-001.pdf

应用规格 AS-98420-001-FR-001.pdf

包装规格 PK-98910-001-001.pdf

模具规格

压接规格 CS-64324-001-001.pdf

产物环境合规

合规

GADSL/IMDS	Duty-To-Declare
China RoHS	Not Relevant
EU ELV	Compliant per 2000/53/EC
Low-Halogen Status	Low-Halogen per IEC 61249-2-21
REACH SVHC	Not Contained per D(2023)8585-DC (23 Jan 2024)

EU RoHS	Compliant per EU 2015/863
---------	---------------------------

多部分产品合规性声明

- Eu RoHS
- REACH SVHC
- Low-Halogen

- IPC 1752A Class C
- IPC 1752A Class D
- Molex Product Compliance Declaration
- IEC-62474
- chemSHERPA (xml)

欧盟 RoHS 合格证书

产品详情

常规

状态	活动
类别	Crimp Terminals
系列	64324
说明	2.80mm, CMC CP Female Terminal, Tin plated, for Tab Dimensions 2.80mm by 0.80mm, Wire Size > 3.00–5.00mm ²
应用	Automotive, Power, Wire-to-Wire
个评论	Current tested on a fully loaded connector, current for temperature increase of 40° C; Current max = 21.0A for 2.80mm Terminal (5.00mm ² wire), 12.0A for 1.50mm Terminal (2.00mm ² wire), 2.5A for 0.635mm Terminal (0.75mm ² wire)
产品系列	CMC and CMX Sealed, Hybrid, Modular Connectors
产品名称	CMC, CP Terminal
UPC	883906127893

电气

每触点最大电流	21.0A
电压 - 最大	14V DC

物理

性别	女
材料 - 金属	High Copper Alloy
材料 - 接合部位电镀	Tin
材料 - 终端电镀	Tin
净重	0.570/g
包装形式	Reel
最薄镀层 - 接合部位	1.016µm
终端界面类型	Crimp or Compression
导线绝缘直径	3.40-4.00mm
线径规格 (AWG)	10, 12
线缆尺寸mm ²	>3.00-5.00

进程

无铅	不适用
----	-----

可连接使用部件

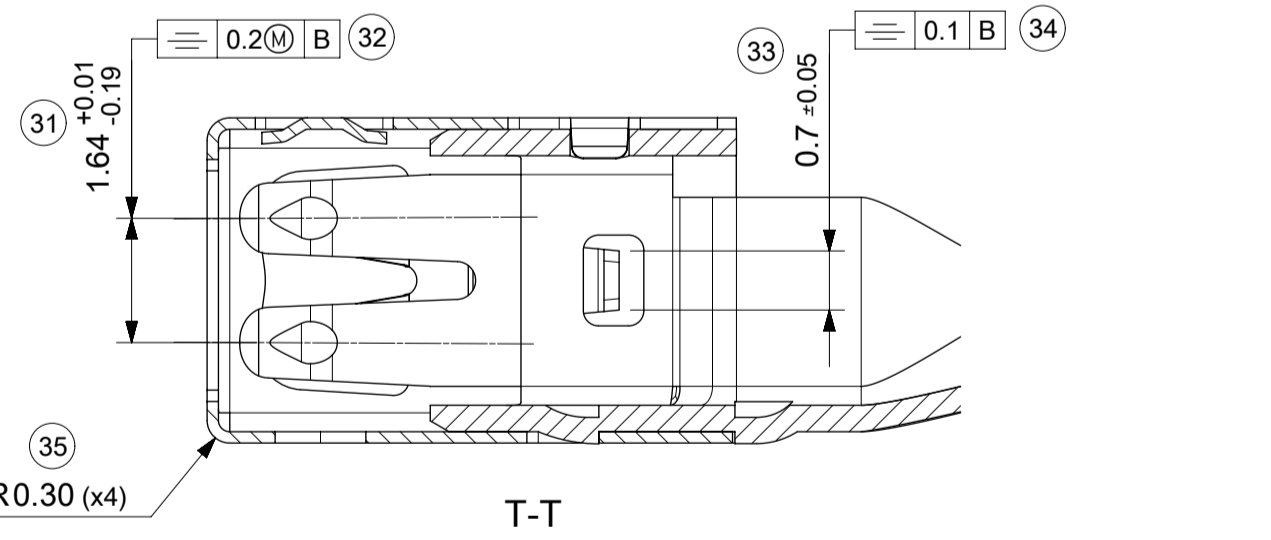
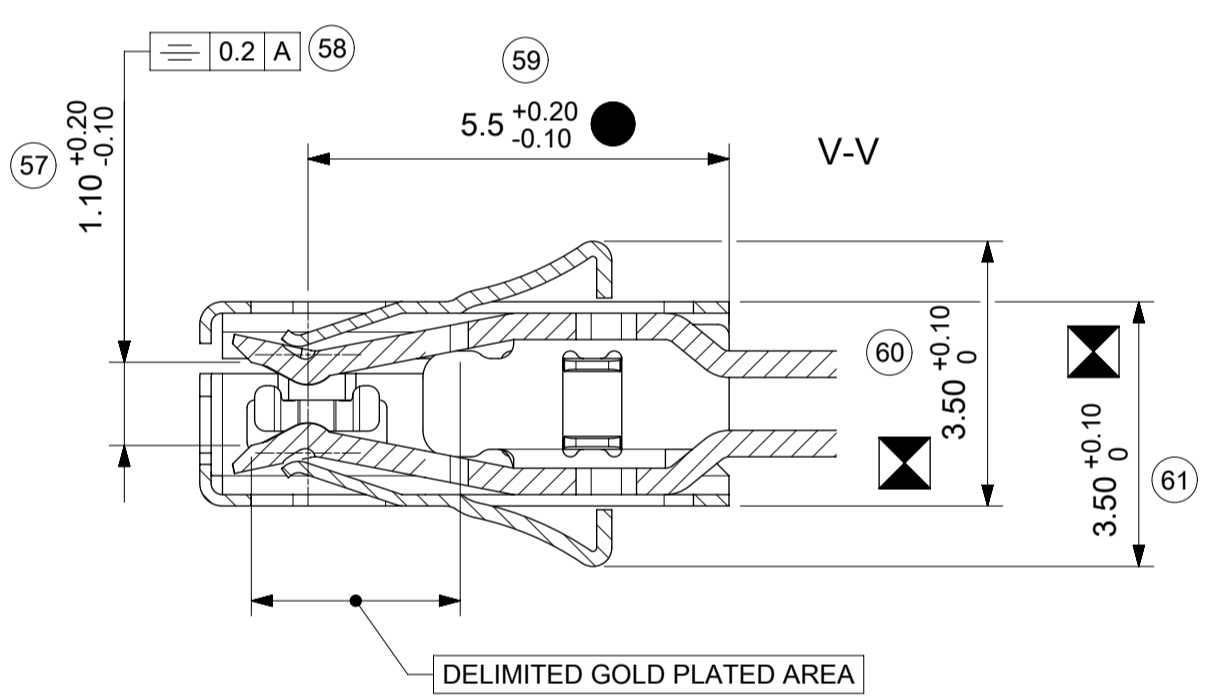
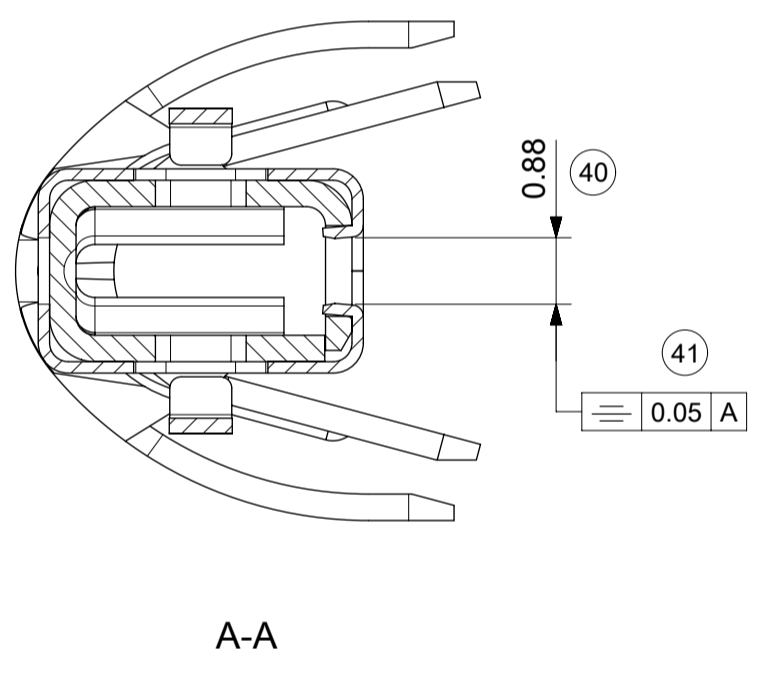
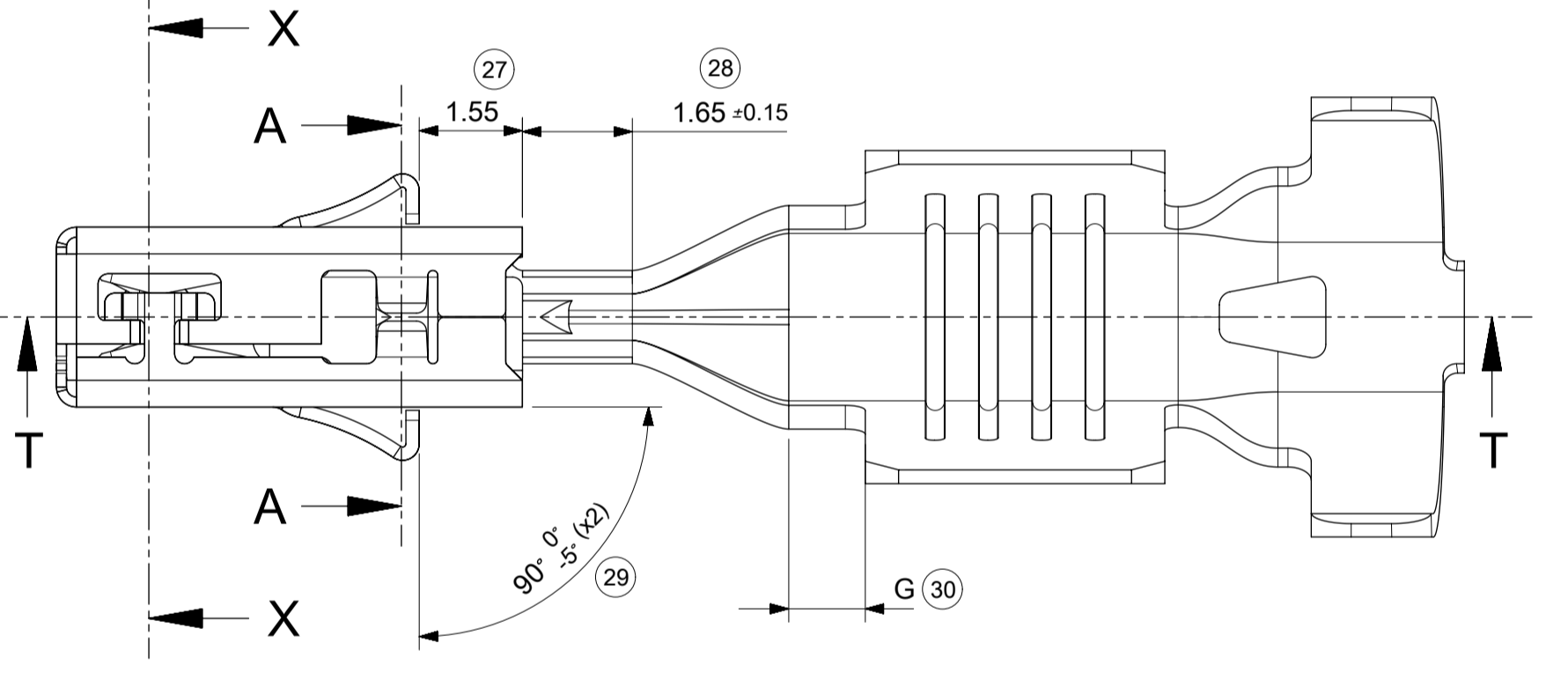
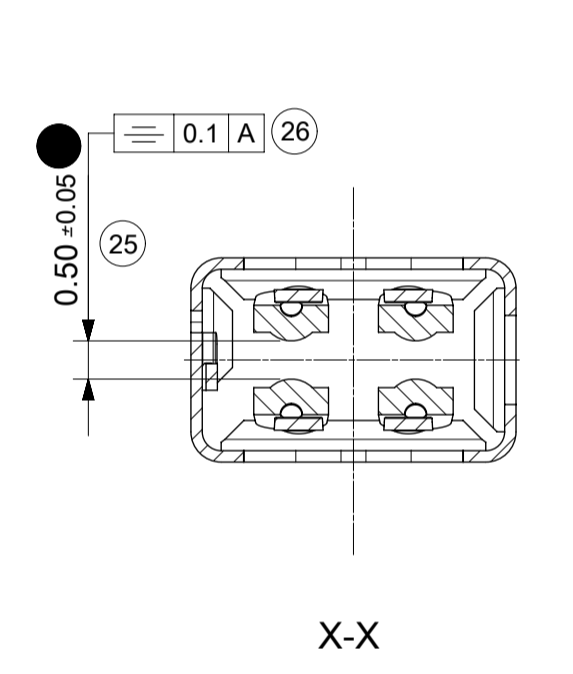
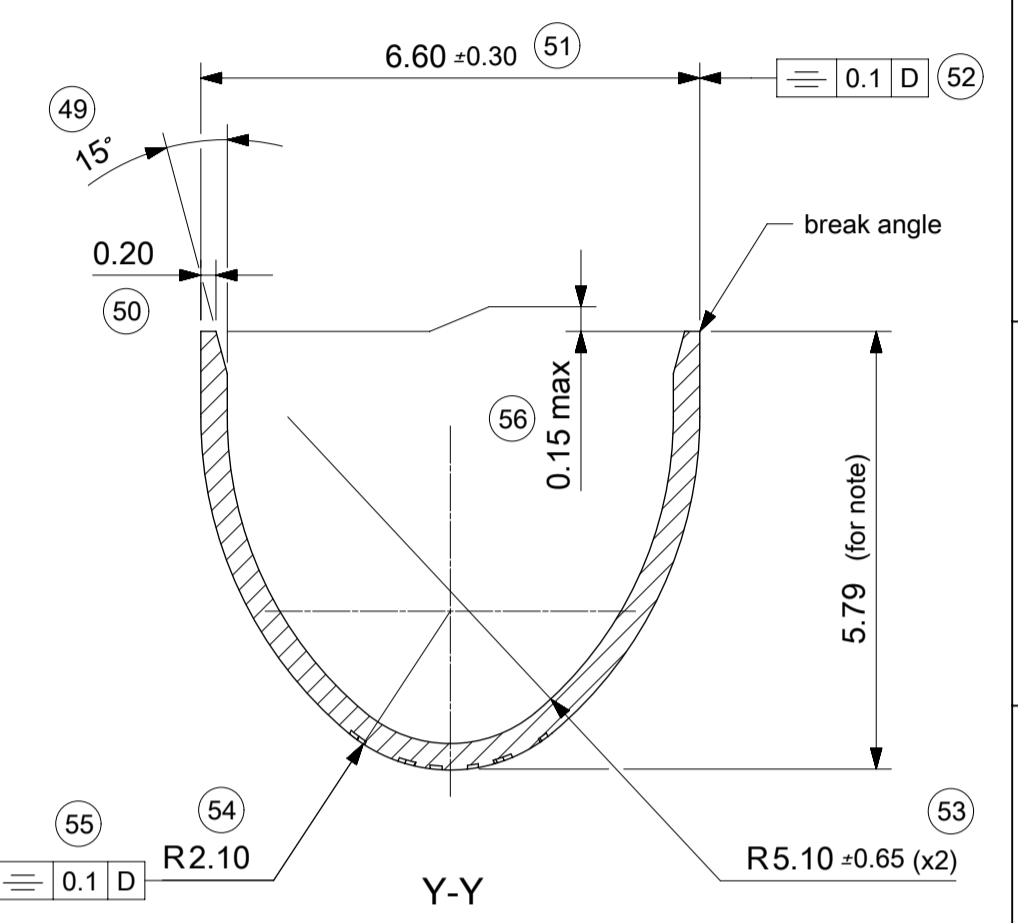
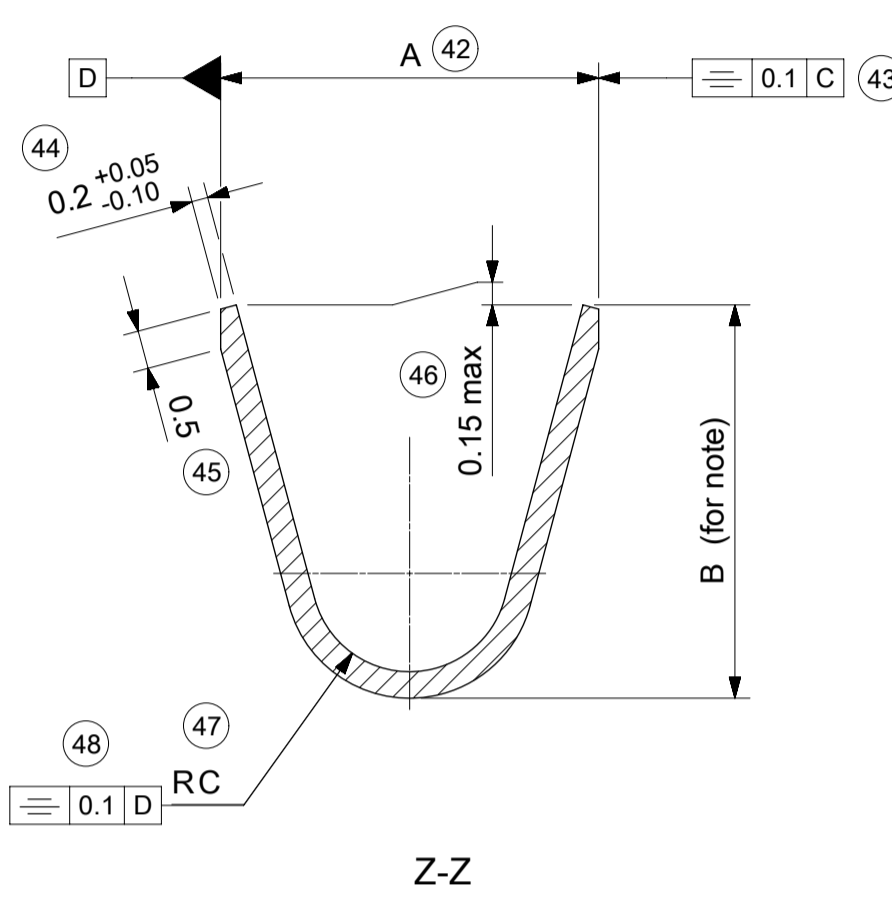
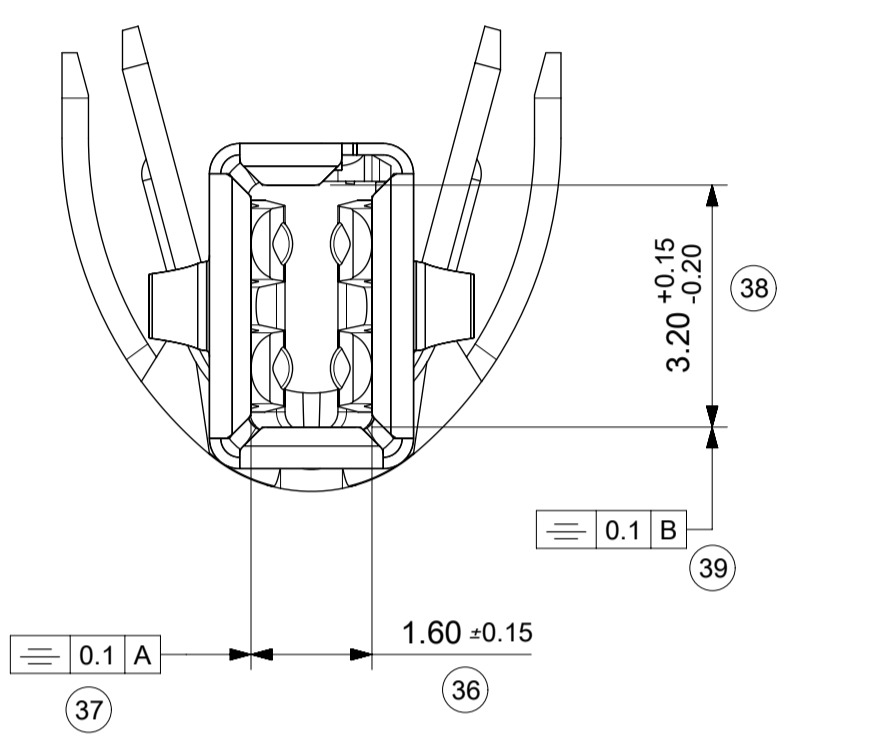
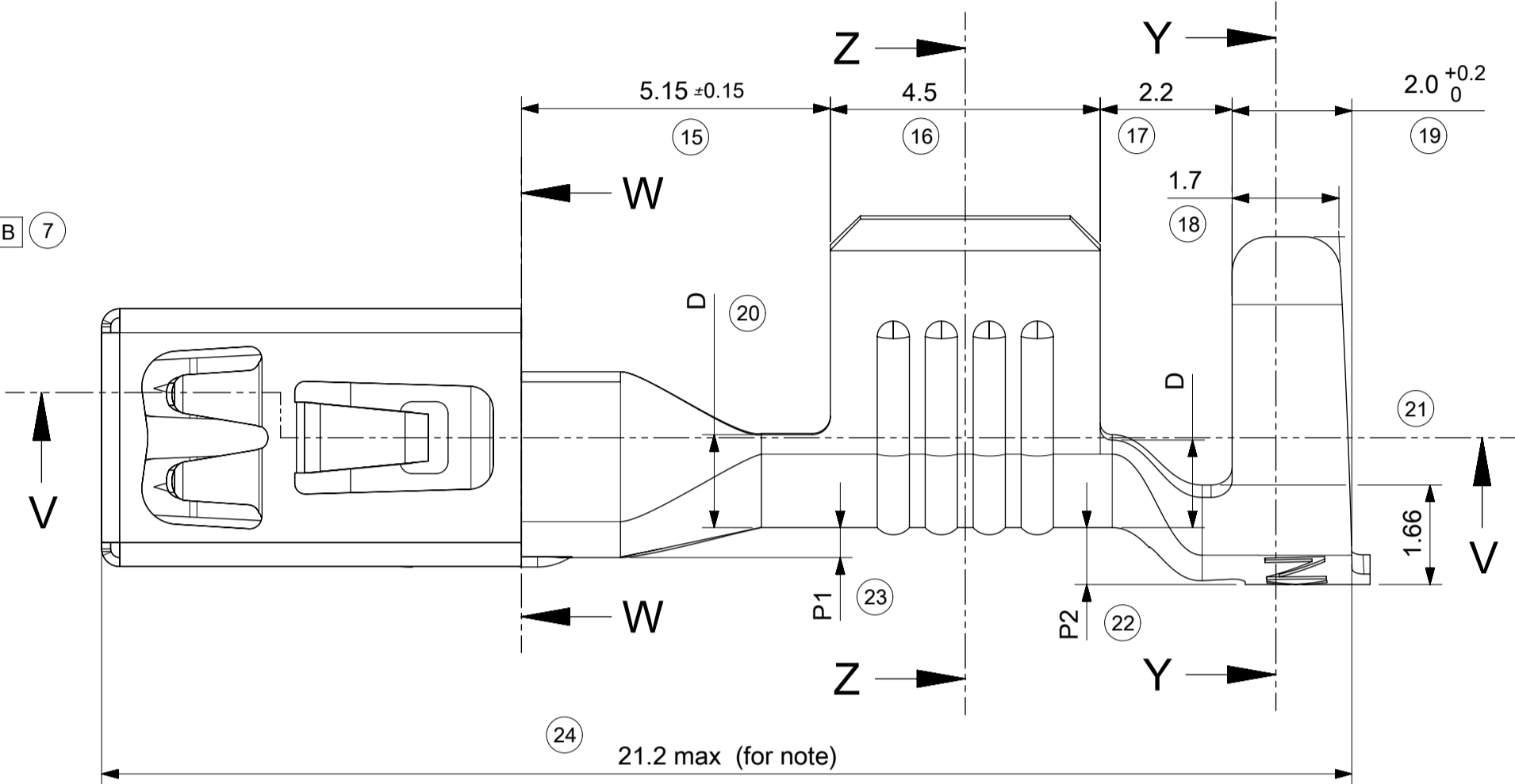
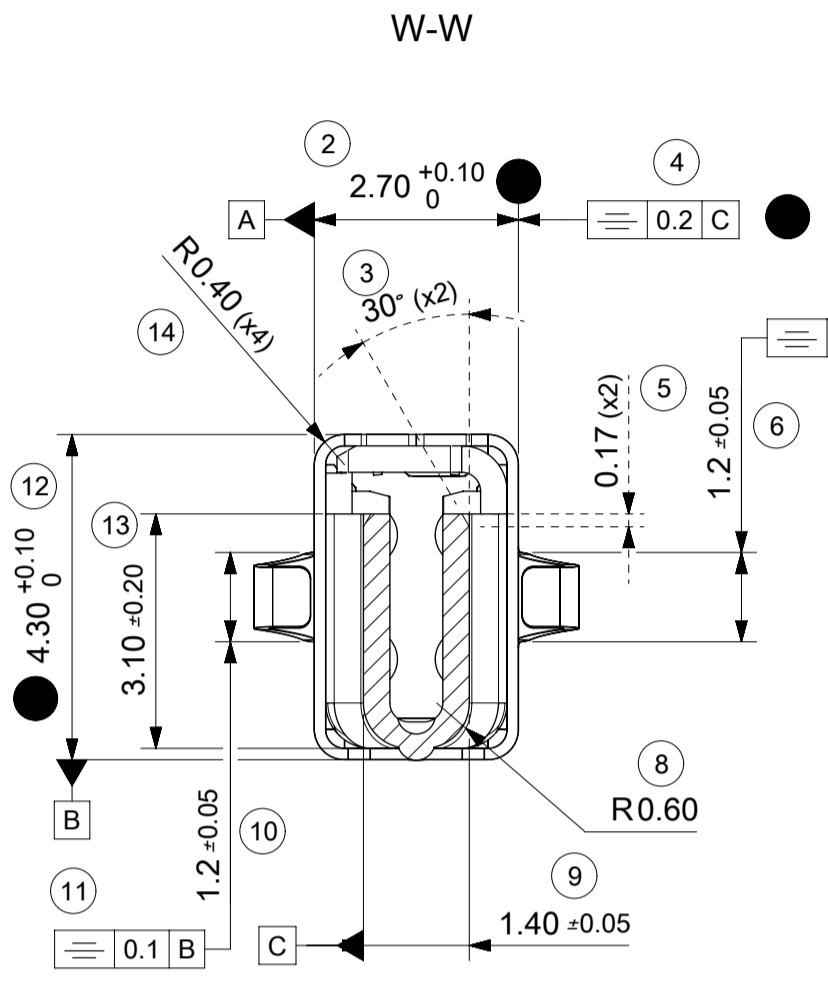
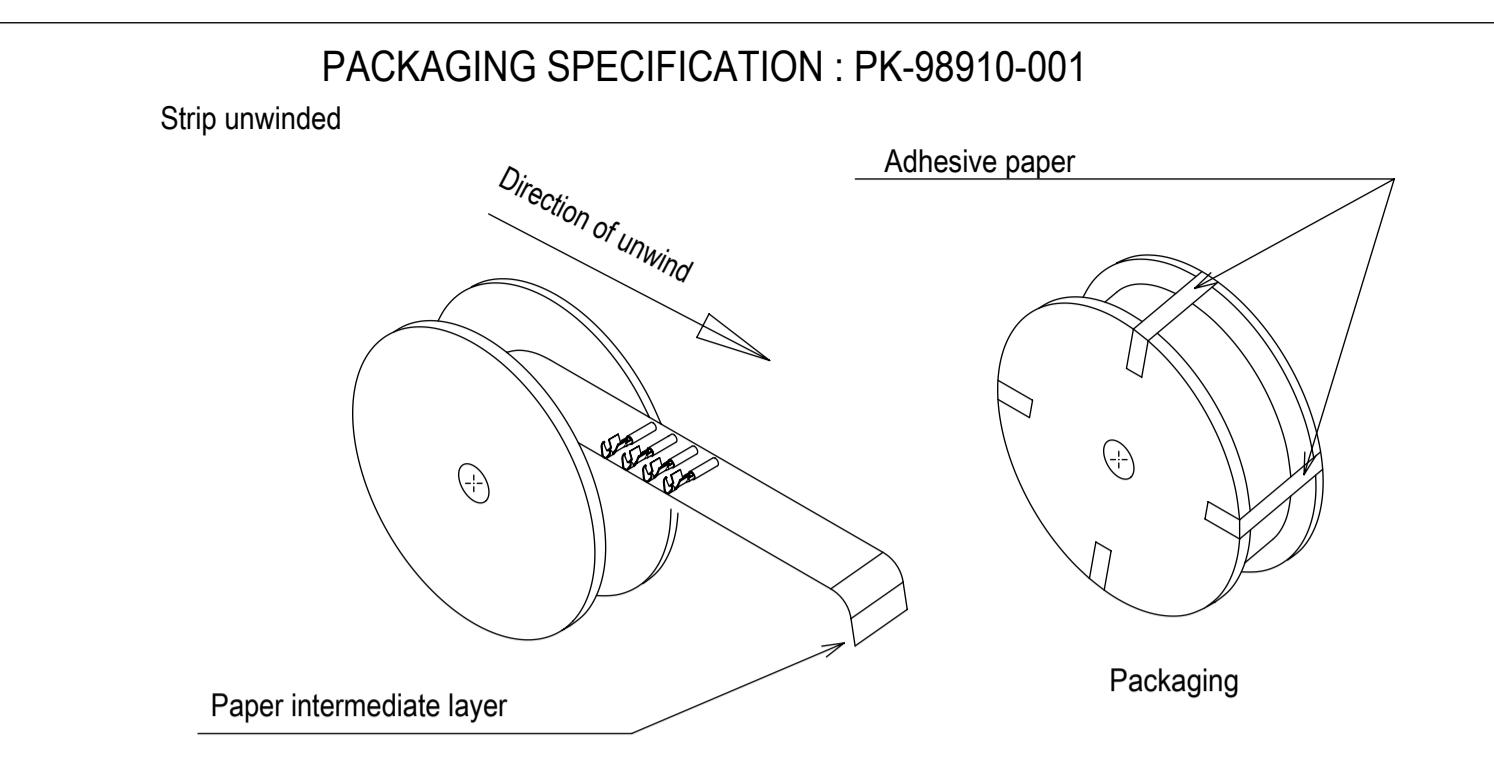
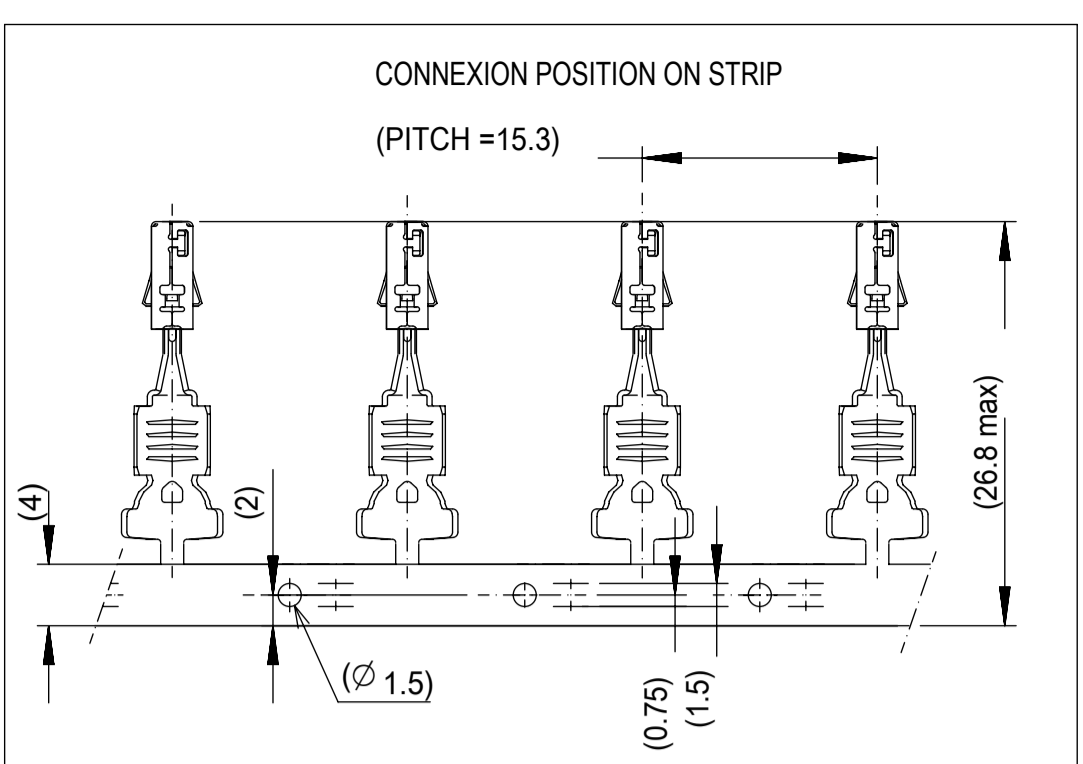
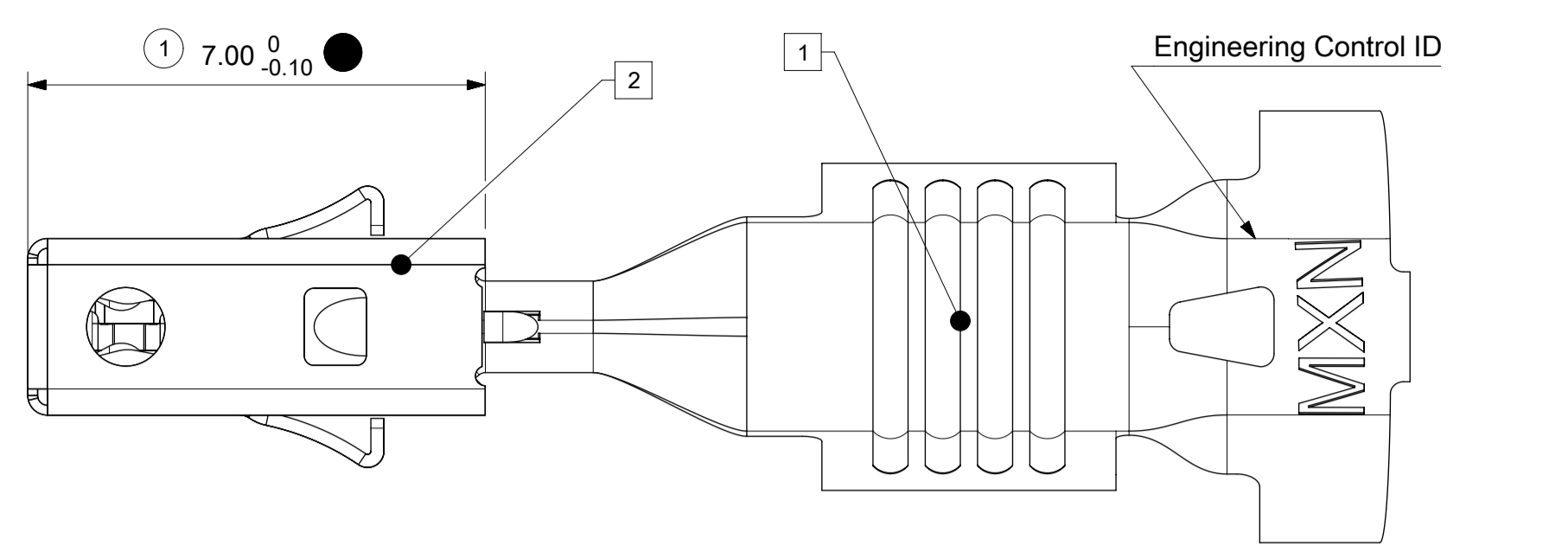
描述	产品编号
Power CMC Receptacles	<u>64318</u>
CMC Receptacles and Wire Caps	<u>64321</u>

施工工具

全局

描述	产品编号
Hand Crimp Tool for CP 2.8 Receptacle 12-10 AWG Type TXL Wire and >3.00-5.00mm ² Type ID & ID Wire with 2.80mm ² , CMC Wire Seal Receptacle	<u>638119900</u>
Extraction Tool for 2.80mm CP Crimp Terminals for CMC connector	<u>638132500</u>
Hand Crimp Tool for CP 2.8 Receptacle Crimp Terminals	<u>638234100</u>
Mini-Mac Applicator for CP2.8 Crimp Terminals 3.00 - 5.0mm ² type ID & IR Wire	<u>638950900</u>

This document was generated on Jun 03, 2024

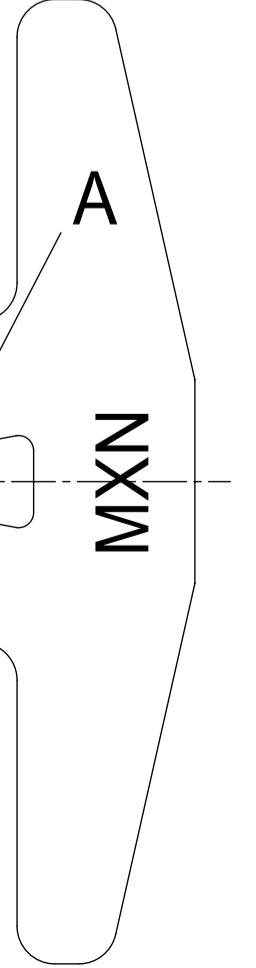


NOTE:
- CRIMPING SPECIFICATION ACCORDING TO AS-64324-001

MARK	DESIGNATION	MATERIAL
2	BOX TERMINAL	STAINLESS STEEL thickness : 0.15 mm
1	BODY TERMINAL	HIGH CONDUCTIVITY COPPER ALLOY thickness : 0.35 mm

MATERIAL NUMBER	CONTACT AREA	CRIMPING AREA	UNDERLAYER	CRIMPING RANGE (mm ²)	A ±0.2	B	Rc ±0.1	G ±0.05	D ±0.1	P1 ±0.1	P2 ±0.1	WEIGHT (g)	Identification
0643241119	Au 1.27μ MINI	Sn	Ni	>3 TO 5	5.0	5.2	1.3	0.8	1.55	0.5	0.95	0.4902	D
0643241019	Sn	Sn	Ni		0.4795								
0643241129	Au 1.27μ MINI	Sn	Ni	>2 TO 3	4.1	4.4	1.0	0.8	1.45	0.5	0.95	0.4604	C
0643241029	Sn	Sn	Ni		0.4470								
0643241139	Au 1.27μ MINI	Sn	Ni	>1 TO 2	4.1	3.5	0.9	0.8	1.3	0.6	1.3	0.4274	B
0643241039	Sn	Sn	Ni		0.4191								
0643241149	Au 1.27μ MINI	Sn	Ni	0.50 TO 1	2.8	2.6	0.7	1.15	1.1	0.6	1.3	0.3916	A
0643241049	Sn	Sn	Ni		0.3815								

crimping range identification



(SKC)	COTES CARACTERISTIQUES SPECIALES	SPECIAL KEY CHARACTERISTICS
☒	INDICATION DIMENSIONS S.P.C	DENOTES S.P.C DIMENSIONS
⊗	INDICATION DIMENSIONS CRITIGUES	DENOTES CRITICAL DIMENSIONS
●	INDICATION DIMENSIONS FONCTIONNELLES	DENOTES FUNCTIONAL DIMENSIONS
☒ 2	QUANTITE PAR FEUILLE INDIVIDUELLE	QUANTITY PER INDIVIDUAL SHEET
⊗ 0		
● 6		
(SKC) 0		

THIS DRAWING CONTAINS INFORMATION THAT IS PROPRIETARY TO MOLEX ELECTRONIC TECHNOLOGIES, LLC AND SHOULD NOT BE USED WITHOUT WRITTEN PERMISSION

DIMENSION UNITS: mm SCALE: 10:1

GENERAL TOLERANCES (UNLESS SPECIFIED):
 ANGULAR TOL ± 2.0°
 4 PLACES ± 0.1
 3 PLACES ± 0.1
 2 PLACES ± 0.1
 1 PLACE ± 0.1
 0 PLACES ±

CURRENT REV DESC: NX RE-MASTERING. CHANGED ENGINEERING CONTROL ID FROM MXG TO MXN.
 EC NO: 607772
 DRWN: GMANIVANNAN 2018/04/05
 CHK'D: TBADAROUX 2018/11/21
 APPR: SLAFAURE 2018/11/26

INITIAL REVISION:
 DRWN: VGUERIN 2007/11/07
 APPR: LSTICKER 2007/11/07

molex
 CP RCPT TRM 2.8

PRODUCT CUSTOMER DRAWING

DOCUMENT NUMBER: SD-64324-001
 DOC TYPE: PSD
 DOC PART: 001
 REVISION: D1

MATERIAL NUMBER: SEE CHART
 CUSTOMER: GENERAL MARKET
 SHEET NUMBER: 1 OF 1

DRAFT WHERE APPLICABLE MUST REMAIN WITHIN DIMENSIONS
 FIRST ANGLE PROJECTION
 DRAWING: A1-SIZE
 SERIES: 64324