



产品编号 : 643241049

Product Description : 2.80mm, CMC CP Female Terminal, Tin plated, for Tab Dimensions 2.80mm by 0.80mm, Wire Size 0.50-1.00mm²

系列号 : 64324

状态 : Active

Product Category : Crimp Terminals

文件和资源

图纸

图纸 643241049_sd.pdf

3D 模型和设计文件

3D模型 643241049_stp.zip

规格

应用规格 AS-64318-002-001.pdf

应用规格 AS-64318-002-CH-001.pdf

应用规格 AS-64318-002-SP-001.pdf

应用规格 AS-64324-001-001.pdf

应用规格 AS-64324-001-CH-001.pdf

应用规格 AS-98420-001-001.pdf

应用规格 AS-98420-001-CH-001.pdf

应用规格 AS-98420-001-SP-001.pdf

应用规格 AS-64318-002-FR-001.pdf

应用规格 AS-64324-001-FR-001.pdf

应用规格 AS-98420-001-FR-001.pdf

包装规格 PK-98910-001-001.pdf

模具规格

压接规格 CS-64324-001-001.pdf

产物环境合规

合规

GADSL/IMDS	Compliant with Exemption 44; 33
China RoHS	Not Relevant
EU ELV	Compliant per 2000/53/EC
Low-Halogen Status	Low-Halogen per IEC 61249-2-21
REACH SVHC	Not Contained per D(2023)8585-DC (23 Jan 2024)

EU RoHS	Compliant per EU 2015/863
---------	---------------------------

多部分产品合规性声明

- Eu RoHS
- REACH SVHC
- Low-Halogen

- IPC 1752A Class C
- IPC 1752A Class D
- Molex Product Compliance Declaration
- IEC-62474
- chemSHERPA (xml)

欧盟 RoHS 合格证书

产品详情

常规

状态	活动
类别	Crimp Terminals
系列	64324
说明	2.80mm, CMC CP Female Terminal, Tin plated, for Tab Dimensions 2.80mm by 0.80mm, Wire Size 0.50-1.00mm ²
应用	Automotive, Power, Wire-to-Wire
个评论	Current tested on a fully loaded connector, current for temperature increase of 40° C ; Current max = 21A for 2.80mm Terminal (5.00mm ² wire)
产品系列	CMC and CMX Sealed, Hybrid, Modular Connectors
产品名称	CMC, CP Terminal
UPC	883906128425

电气

每触点最大电流	21.0A
电压 - 最大	14V DC

物理

性别	女
材料 - 金属	High Copper Alloy

材料 - 接合部位电镀	Tin
材料 - 终端电镀	Tin
净重	0.470/g
包装形式	Reel
最薄镀层 - 接合部位	1.016µm
终端界面类型	Crimp or Compression
导线绝缘直径	1.40mm-2.15mm
线径规格 (AWG)	18, 20
线缆尺寸mm ²	0.50-1.00

进程

无铅	不适用
----	-----

可连接使用部件

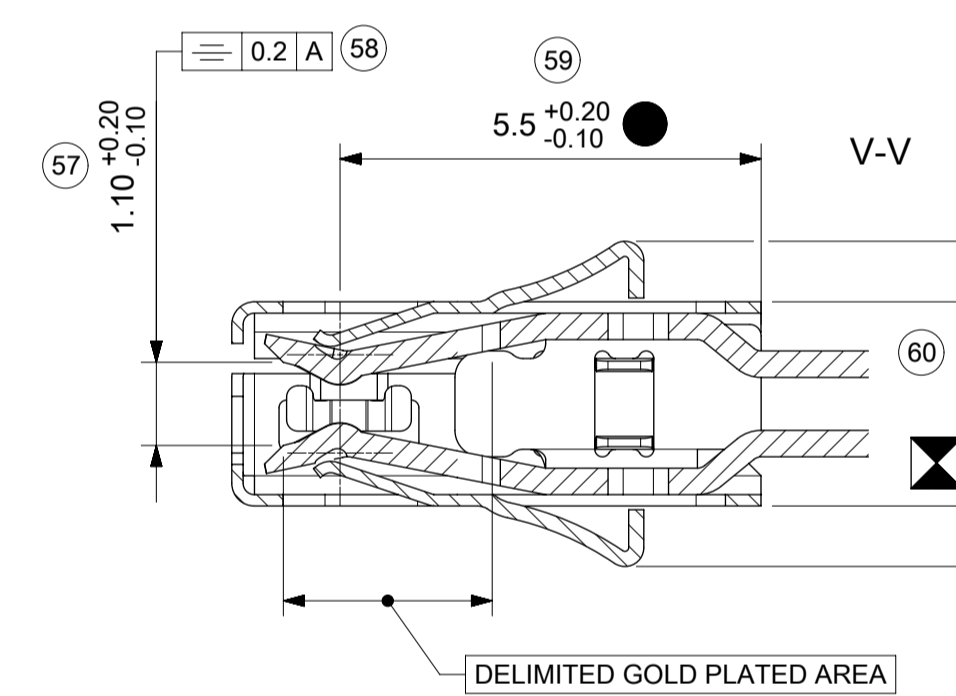
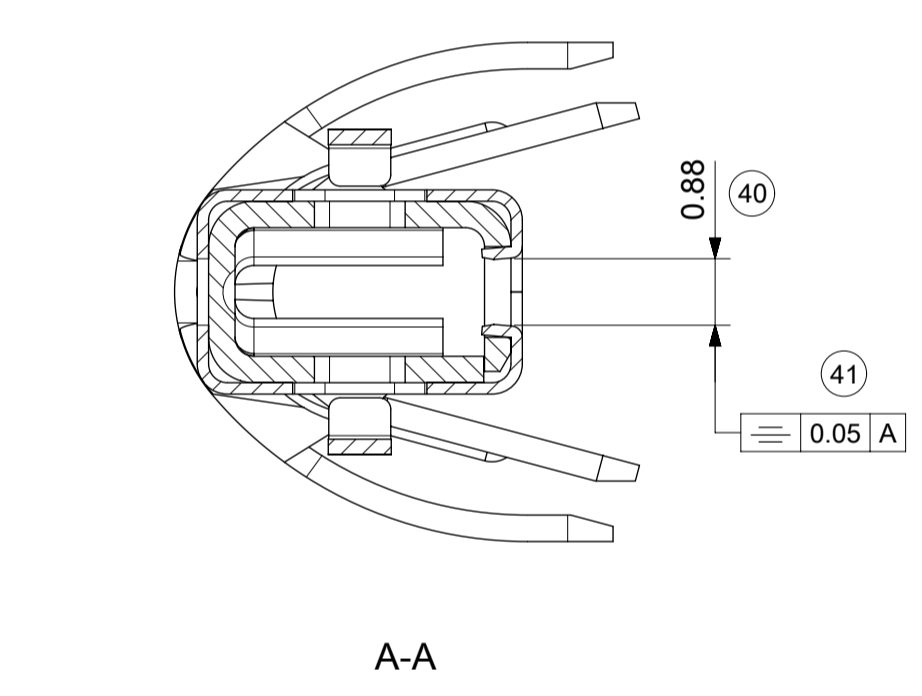
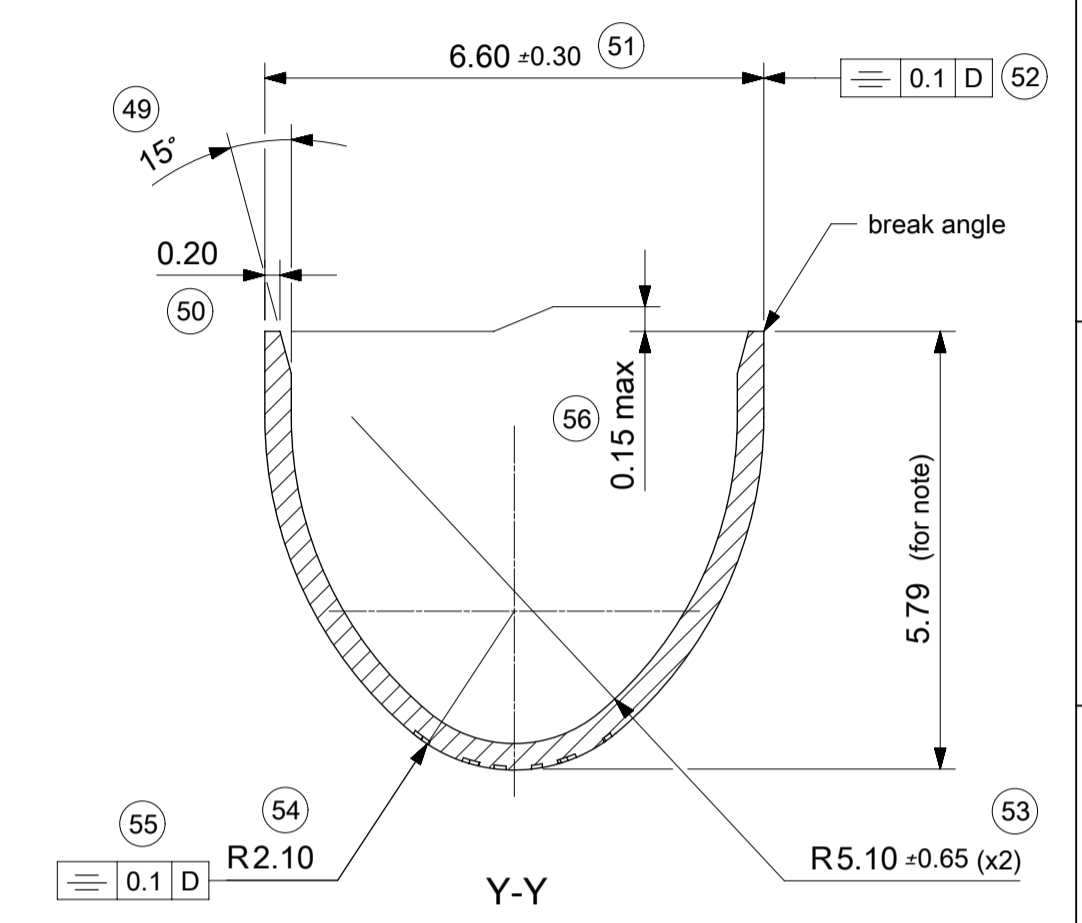
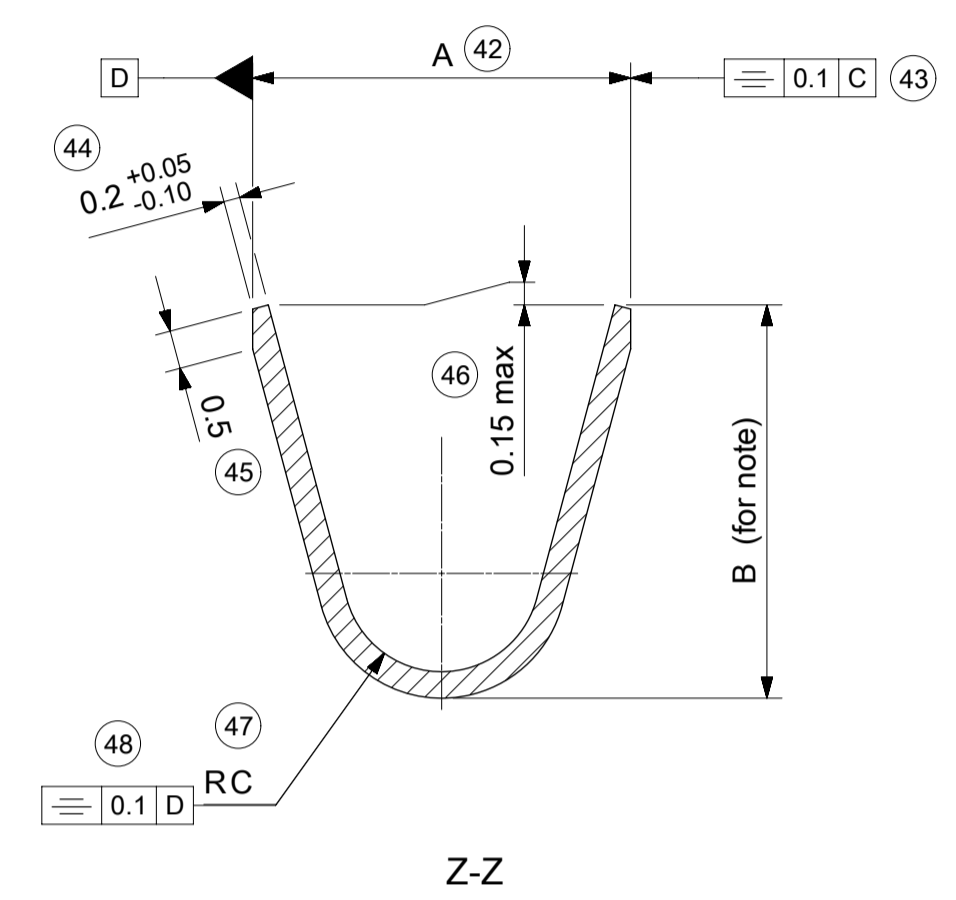
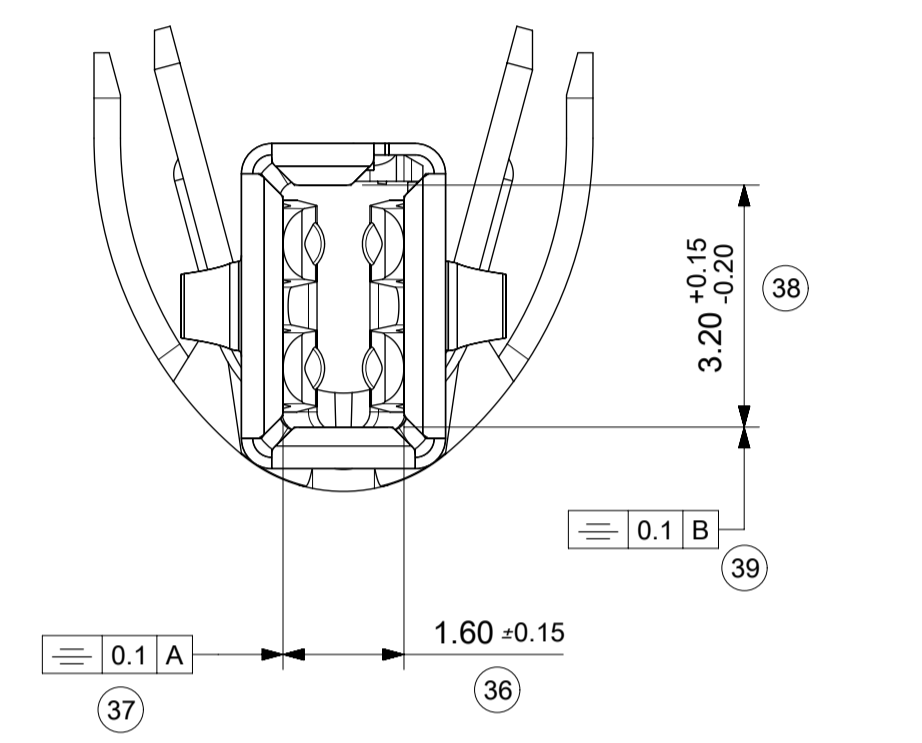
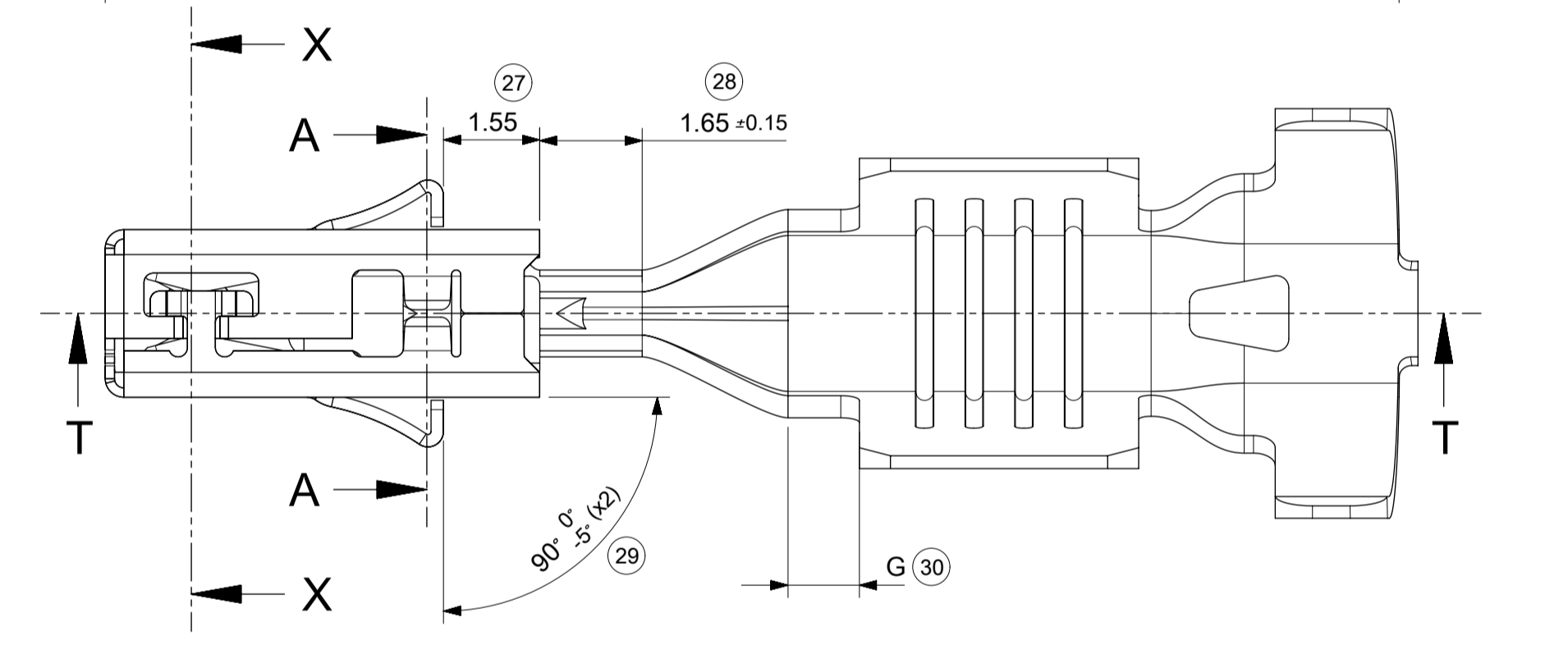
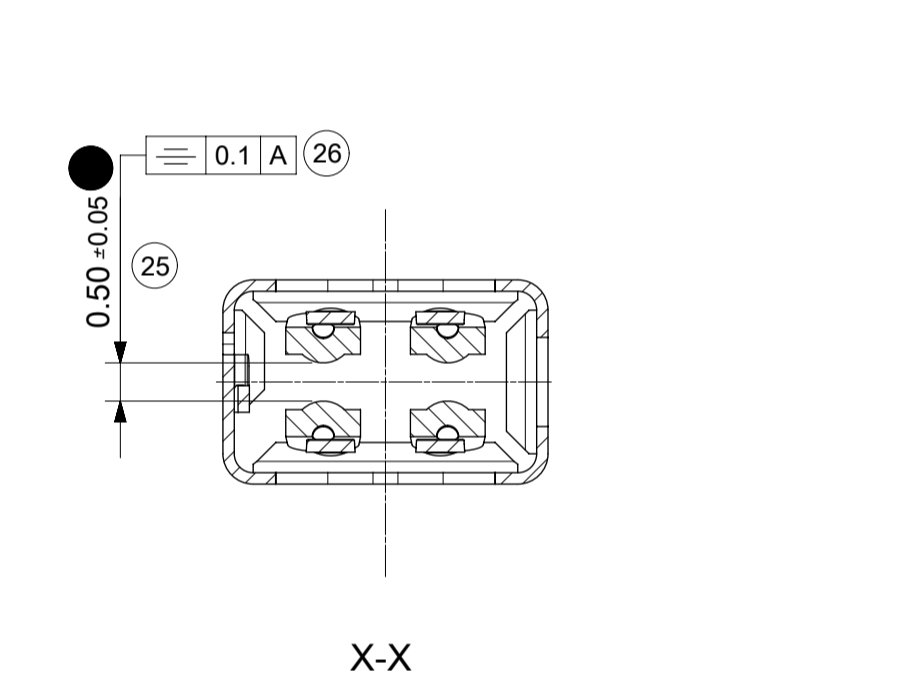
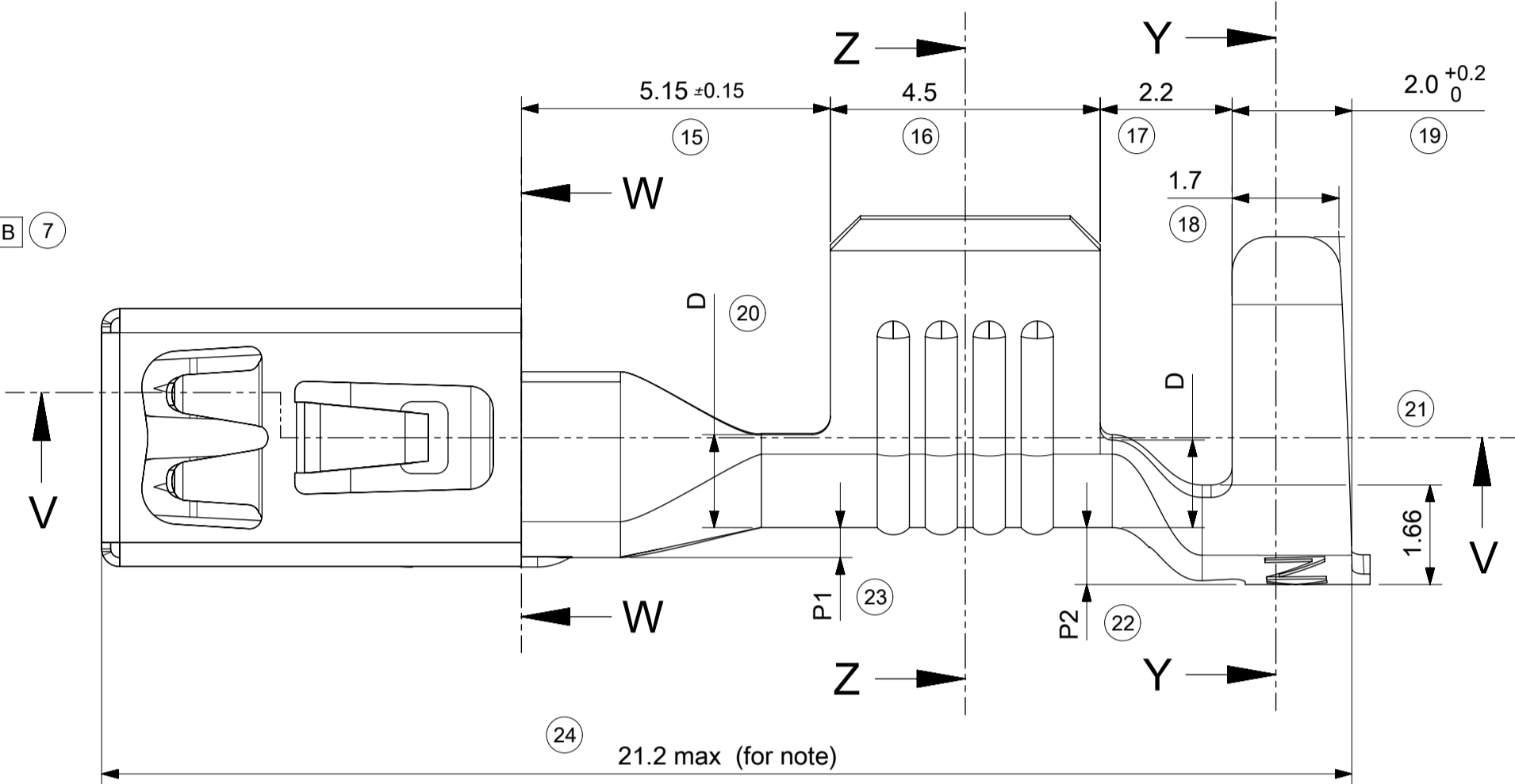
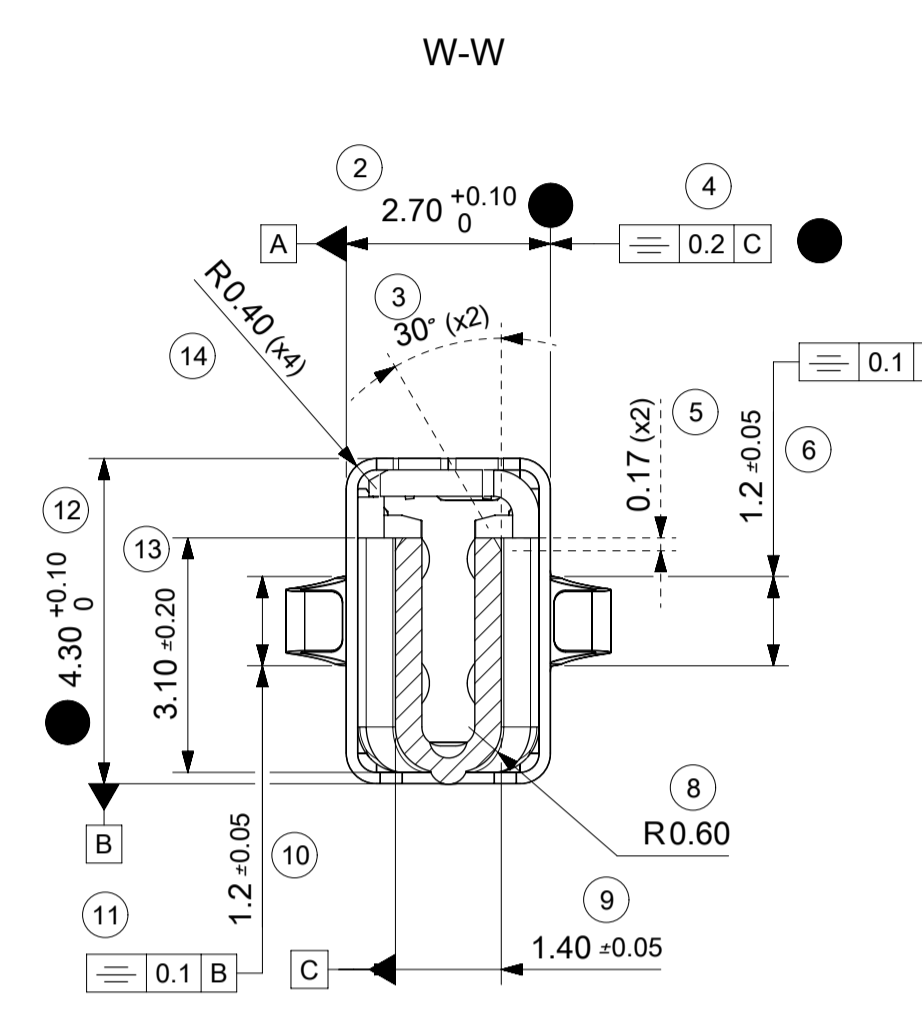
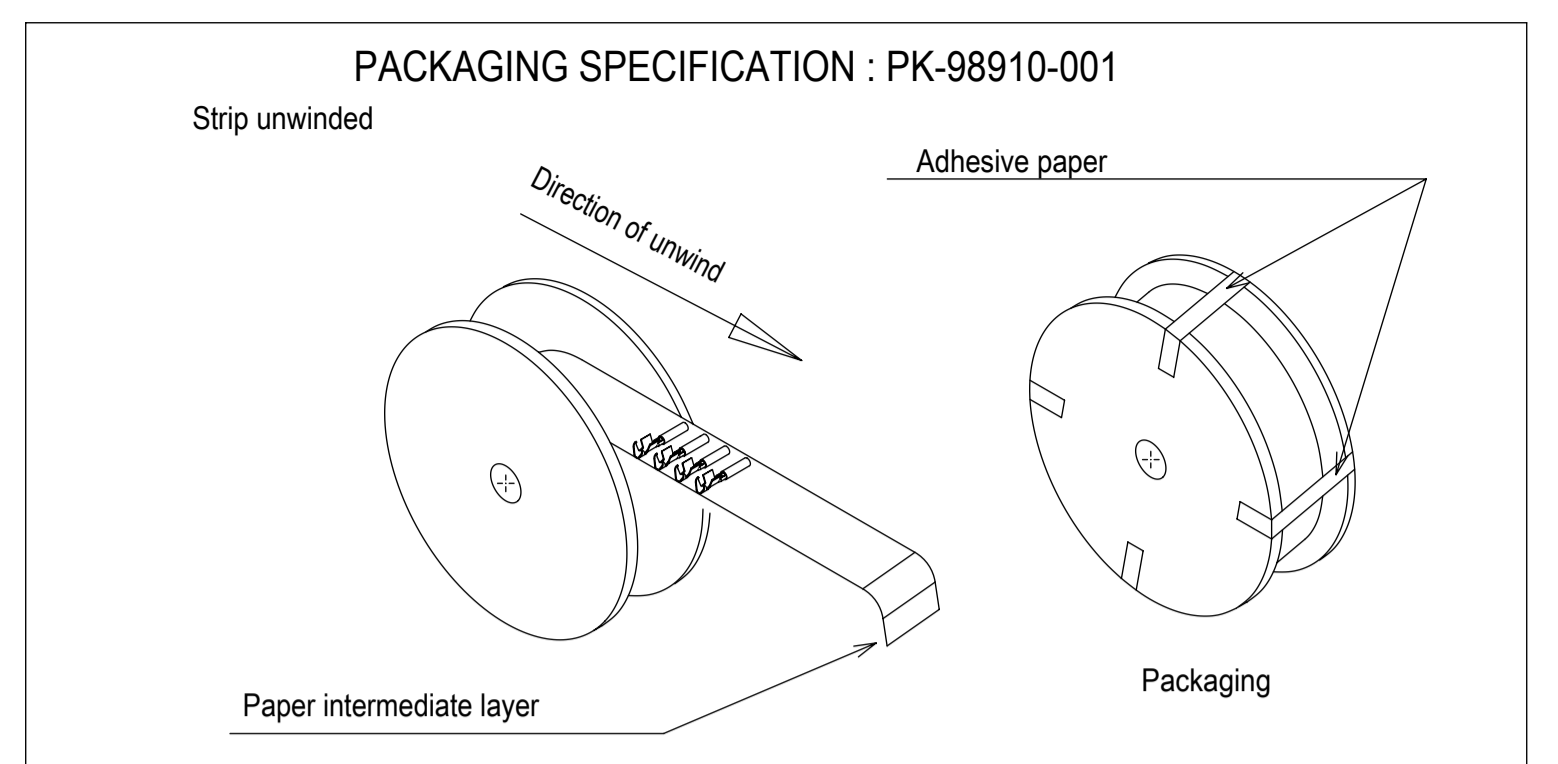
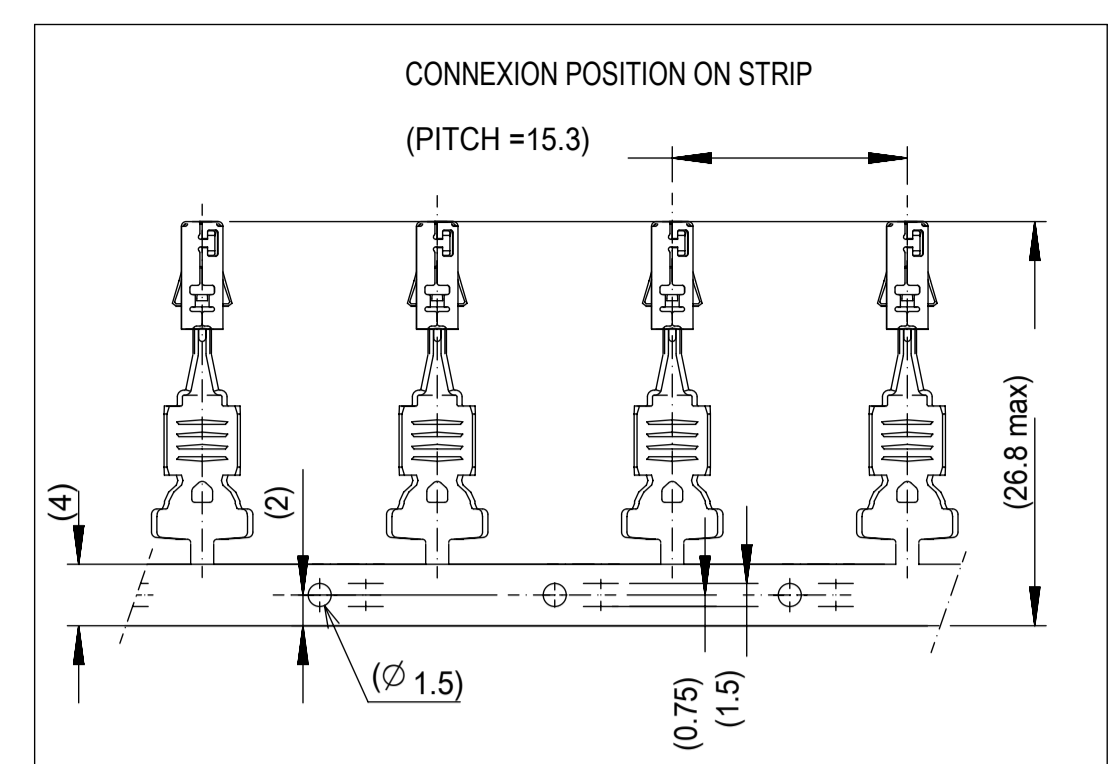
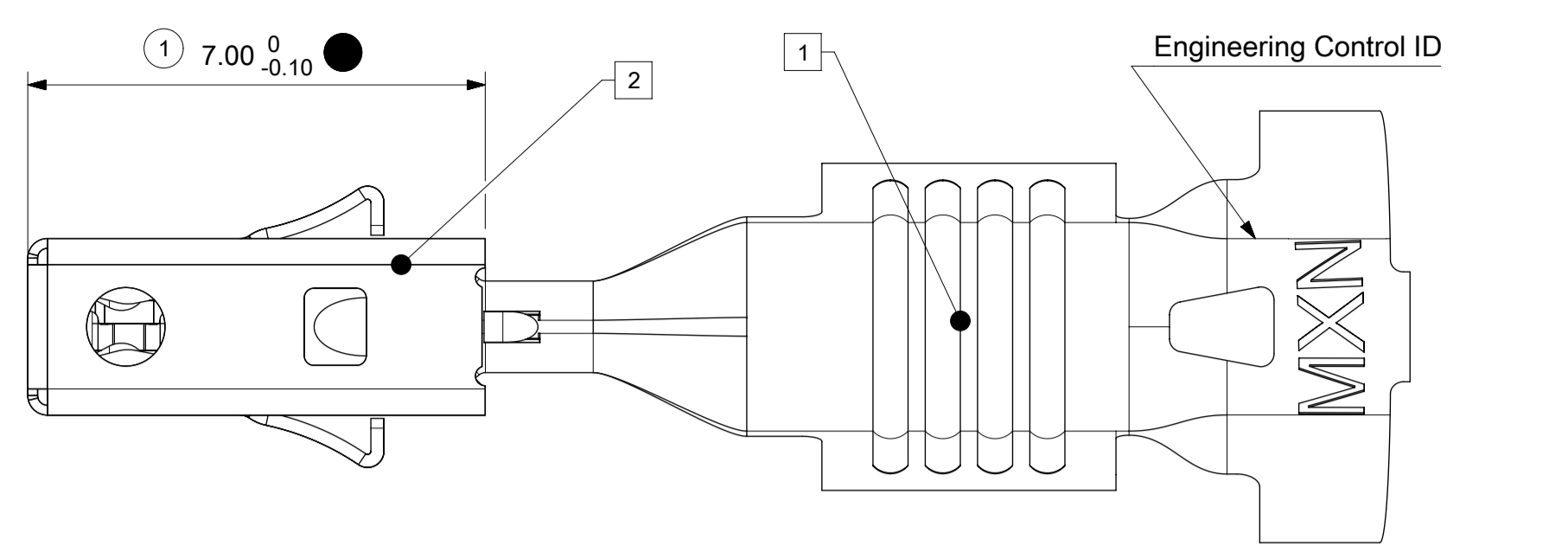
描述	产品编号
Power CMC Receptacles	<u>64318</u>
CMC Receptacles and Wire Caps	<u>64321</u>

施工工具

全局

描述	产品编号
Extraction Tool for 2.80mm CP Crimp Terminals for CMC connector	<u>638132500</u>
Hand Crimp Tool for CP 2.8 Receptacle 18-20 AWG Type TXL Wire and 0.50-0.75mm ² Type ID & ID Wire with 2.80mm, CMC Wire Seal Receptacle	<u>638193400</u>
Hand Crimp Tool for CP 2.8 Receptacle 1.00mm Type ID & ID Wire with 2.80mm ² , CMC Wire Seal Receptacle	<u>638193500</u>
Hand Crimp Tool for CP 2.8 Receptacle Crimp Terminals	<u>638234300</u>
Mini-Mac Applicator for CP2.8 Terminals, 0.50-1.00mm ² ID & IR Wire	<u>638951200</u>

This document was generated on Jun 30, 2024

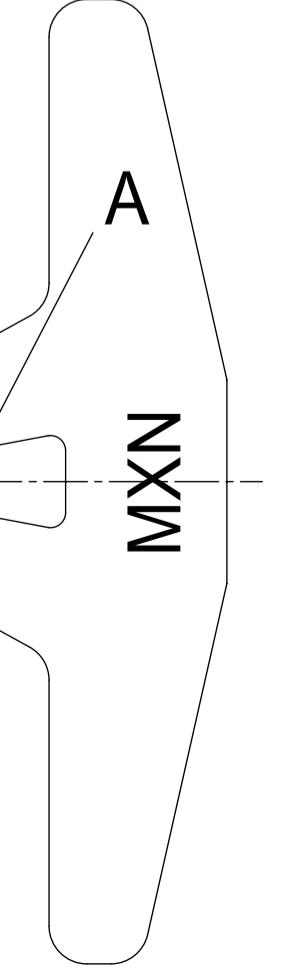


NOTE:
- CRIMPING SPECIFICATION ACCORDING TO AS-64324-001

2	BOX TERMINAL	STAINLESS STEEL thickness : 0.15 mm
1	BODY TERMINAL	HIGH CONDUCTIVITY COPPER ALLOY thickness : 0.35 mm
MARK	DESIGNATION	MATERIAL

MATERIAL NUMBER	CONTACT AREA	CRIMPING AREA	UNDERLAYER	CRIMPING RANGE (mm ²)	A ±0.2	B	Rc ±0.1	G ±0.05	D ±0.1	P1 ±0.1	P2 ±0.1	WEIGHT (g)	Identification
0643241119	Au 1.27μ MINI	Sn	Ni	>3 TO 5	5.0	5.2	1.3	0.8	1.55	0.5	0.95	0.4902	D
0643241019		Sn	Sn									0.4795	
0643241129	Au 1.27μ MINI	Sn	Ni	>2 TO 3	4.1	4.4	1.0	0.8	1.45	0.5	0.95	0.4604	C
0643241029		Sn	Sn									0.4470	
0643241139	Au 1.27μ MINI	Sn	Ni	>1 TO 2	4.1	3.5	0.9	0.8	1.3	0.6	1.3	0.4274	B
0643241039		Sn	Sn									0.4191	
0643241149	Au 1.27μ MINI	Sn	Ni	0.50 TO 1	2.8	2.6	0.7	1.15	1.1	0.6	1.3	0.3916	A
0643241049		Sn	Sn									0.3815	

crimping range identification



(SKC) COTES CARACTERISTIQUES SPECIALES
SPECIAL KEY CHARACTERISTICS

INDICATION DIMENSIONS S.P.C
DENOTES S.P.C DIMENSIONS

INDICATION DIMENSIONS CRITIGUES
DENOTES CRITICAL DIMENSIONS

INDICATION DIMENSIONS FONCTIONNELLES
DENOTES FUNCTIONAL DIMENSIONS

QUANTITE PAR FEUILLE INDIVIDUELLE
QUANTITY PER INDIVIDUAL SHEET

2 0 6 (SKC) 0

THIS DRAWING CONTAINS INFORMATION THAT IS PROPRIETARY TO MOLEX ELECTRONIC TECHNOLOGIES, LLC AND SHOULD NOT BE USED WITHOUT WRITTEN PERMISSION

DIMENSION UNITS	SCALE	CURRENT REV DESC: NX RE-MASTERING. CHANGED ENGINEERING CONTROL ID FROM MXG TO MXN.
mm	10:1	
GENERAL TOLERANCES (UNLESS SPECIFIED)		
ANGULAR TOL	± 2.0°	EC NO: 607772
4 PLACES	± 0.1	DRWN: GMANIVANNAN 2018/04/05
3 PLACES	± 0.1	CHK'D: TBADAROUX 2018/11/21
2 PLACES	± 0.1	APPR: SLAFAURE 2018/11/26
1 PLACE	± 0.1	INITIAL REVISION:
0 PLACES	±	DRWN: VGUERIN 2007/11/07
		APPR: LSTICKER 2007/11/07
DRAFT WHERE APPLICABLE MUST REMAIN WITHIN DIMENSIONS	FIRST ANGLE PROJECTION	DRAWING SERIES
		A1-SIZE 64324

molex

CP RCPT TRM 2.8

PRODUCT CUSTOMER DRAWING

DOCUMENT NUMBER: SD-64324-001
DOC TYPE: PSD
DOC PART: 001
REVISION: D1

MATERIAL NUMBER: SEE CHART
CUSTOMER: GENERAL MARKET
SHEET NUMBER: 1 OF 1