



产品编号 : 643251332

系列号 : 64325

Product Category : Connector Accessories

Product Description : Single Wire Seals  
for CP 2.80 Terminals, Red

状态 : Active

---

## 文件和资源

### 图纸

图纸 643251332\_sd.pdf

### 规格

应用规格 AS-560065-001-001.pdf

应用规格 AS-560065-001-CH-001.pdf

应用规格 AS-64318-002-001.pdf

应用规格 AS-64318-002-CH-001.pdf

应用规格 AS-64318-002-SP-001.pdf

应用规格 AS-64327-001-001.pdf

应用规格 AS-98420-001-001.pdf

应用规格 AS-98420-001-CH-001.pdf

应用规格 AS-98420-003-001.pdf

应用规格 AS-98420-003-CH-001.pdf

应用规格 AS-98420-003-FR-001.pdf

应用规格 AS-98420-001-SP-001.pdf

应用规格 AS-560065-001-FR-001.pdf

应用规格 AS-64318-002-FR-001.pdf

应用规格 AS-98420-001-FR-001.pdf

产品规格 643270001-PS-000.pdf

---

## 产物环境合规

### 合规

GADSL/IMDS	Compliant
China RoHS	Not Relevant
EU ELV	Compliant per 2000/53/EC
Low-Halogen Status	Not Relevant
REACH SVHC	Not Contained per D(2022)9120-DC (17 Jan 2023)
EU RoHS	Compliant per EU 2015/863

## 多部分产品合规性声明

- Eu RoHS
- REACH SVHC
- Low-Halogen
  
- IPC 1752A Class C
- IPC 1752A Class D
- Molex Product Compliance Declaration
- IEC-62474
- chemSHERPA (xml)

## 欧盟 RoHS 合格证书

---

### 产品详情

#### 常规

状态	活动
类别	Connector Accessories
系列	64325
说明	Single Wire Seals for CP 2.80 Terminals, Red
应用	汽车
元件类型	Wire Seal
产品系列	CMC and CMX Sealed, Hybrid, Modular Connectors
产品名称	CMC
UPC	884982286061

#### 物理

回路数（已载入）	0
电路数（最多）	0
颜色-树脂	红色
净重	0.190/g
包装形式	Carton

#### 进程

无铅	不适用
----	-----

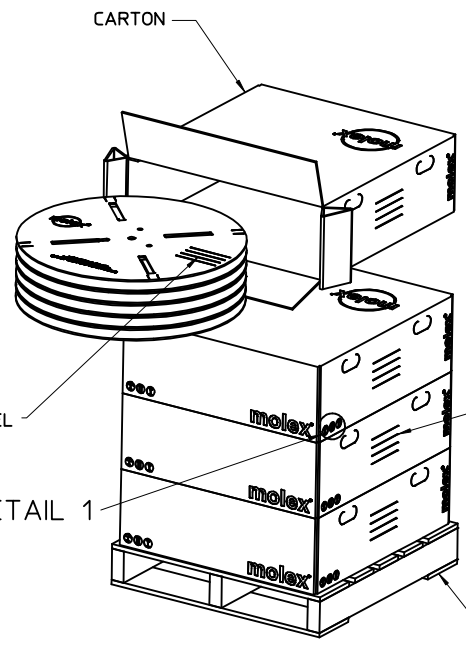
---

## 可连接使用部件

描述	产品编号
2.80mm CMC CP Female Terminals	<u>64324</u>

---

This document was generated on Jun 30, 2024



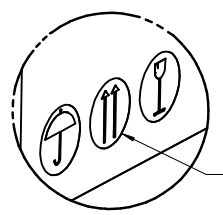
PRODUCT ID LABEL  
(1) PER REEL

SEE DETAIL 1

SHIPPER ID LABEL  
(1-2)/CARTON AS REQUIRED

PALLET 0313016630  
635 mm X 635 mm  
(26" X 26")  
(SEE NOTE 6)

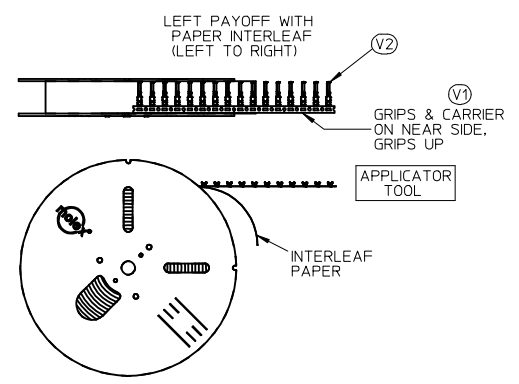
CUSTOMER COPY



NOTE 6

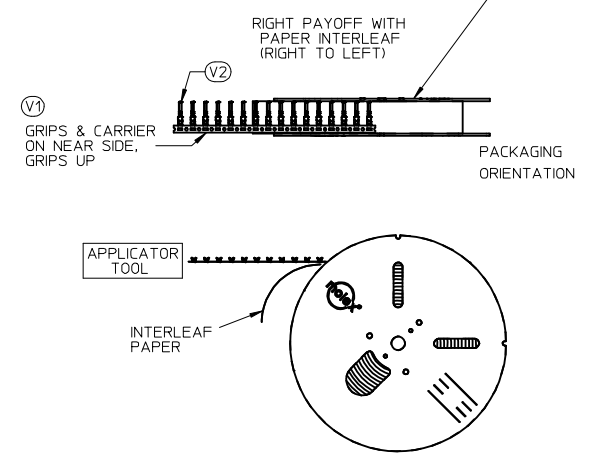
DETAIL 1  
SCALE 1:1.33

**PAYOFF  
DIRECTION D**



PLACE PRODUCT ID LABEL ON THIS SIDE TO INDICATE  
THE PREFERRED PACKAGING ORIENTATION

**PAYOFF  
DIRECTION B**



- NOTES:
1. NUMBER OF TERMINALS PER REEL: SEE TABLE (SHEET 2)
  2. STANDARD PACK QUANTITY (SPQ): SEE TABLE (SHEET 2)
  3. NUMBER OF REELS PER CARTON: SEE TABLE (SHEET 2)
  4. SPLICING: NO BREAKS, MAXIMUM 1 WELD PER REEL
  5. TO MINIMIZE STRESS ON TERMINALS, REELS SHOULD ALWAYS BE SHIPPED ON PALLETS WITH THE REELS LAYING FLAT AS SHOWN.
  6. PLACE CARTONS ON PALLET WITH ARROWS POINTING UP PER DETAIL 1
  7. FOR INTERNAL COPY SEE: PK-31301-053

SPO CORRECTION EC NO: UAU2015-0955 DRAWN: PHELPS 2014/12/19 CHKD: APPR: JNORTHRO 2015/01/26 REV: 4	QUALITY SYMBOLS ▽=0 ▽=0	GENERAL TOLERANCES (UNLESS SPECIFIED) <table border="1"> <tr> <th></th> <th>mm</th> <th>INCH</th> </tr> <tr> <td>4 PLACES</td> <td>± ---</td> <td>± ---</td> </tr> <tr> <td>3 PLACES</td> <td>± ---</td> <td>± ---</td> </tr> <tr> <td>2 PLACES</td> <td>± ---</td> <td>± ---</td> </tr> <tr> <td>1 PLACE</td> <td>± ---</td> <td>± ---</td> </tr> </table> ANGULAR ± 1 °		mm	INCH	4 PLACES	± ---	± ---	3 PLACES	± ---	± ---	2 PLACES	± ---	± ---	1 PLACE	± ---	± ---	DIMENSION STYLE <b>MM ONLY</b> DRAWN BY DATE PPHELPS 2012/10/24 CHECKED BY DATE	SCALE 1:10 DESIGN UNITS METRIC THIRD ANGLE PROJECTION	TITLE CTX PACKAGING SPEC GEN. MRKT. PRODUCT CUSTOMER COPY
		mm	INCH																	
	4 PLACES	± ---	± ---																	
	3 PLACES	± ---	± ---																	
2 PLACES	± ---	± ---																		
1 PLACE	± ---	± ---																		
DRAFT WHERE APPLICABLE MUST REMAIN WITHIN DIMENSIONS	APPROVED BY DATE JNORTHRO 2012/11/26	MATERIAL NO. <b>SEE TABLE</b>	MOLEX INCORPORATED DOCUMENT NO. SD-31301-053	SHEET NO. 1 OF 2	THIS DRAWING CONTAINS INFORMATION THAT IS PROPRIETARY TO MOLEX INCORPORATED AND SHOULD NOT BE USED WITHOUT WRITTEN PERMISSION															

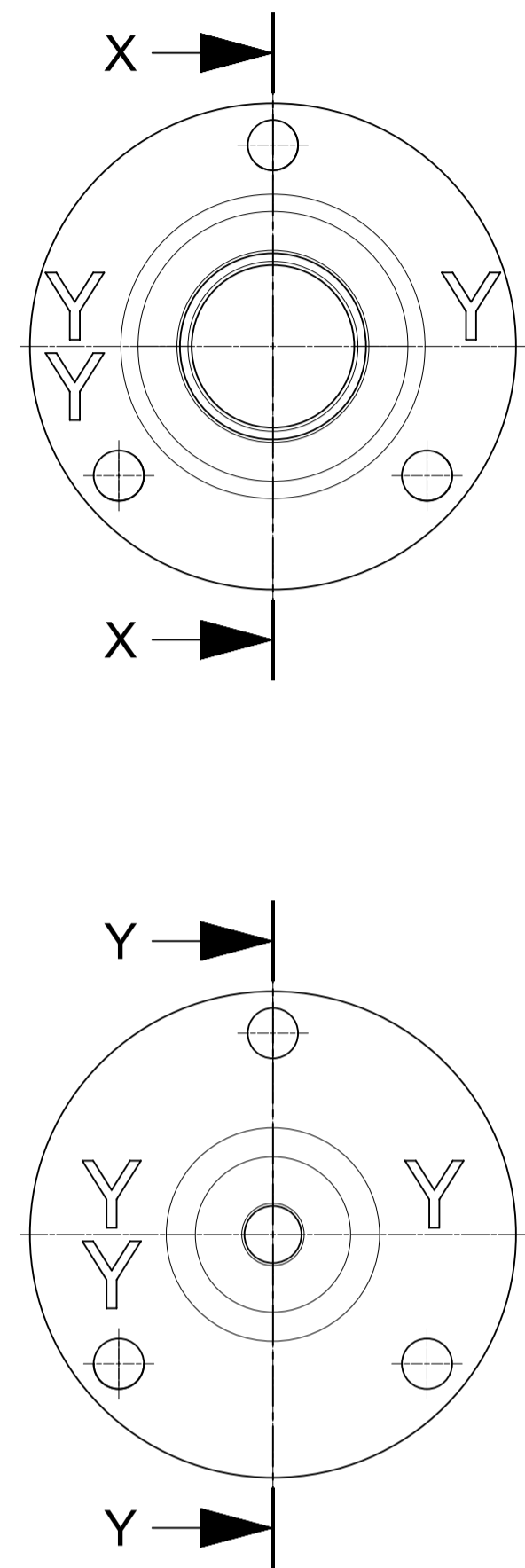
PACKAGING DATA											
PRODUCT DESCRIPTION	CTX 64				CTX 150			CTX 280 SEALED			
PRODUCT P/N SERIES	0348030*** 0348031*** 0348032***		0348033*** 0348035***		034805****			034808****			
GRIP CODE	S	L	S	L	S	M	L	VS	S	M	L
PART WT (Kg/1000)	.1552	.1642	.126	.126	.3070	.3270	.3470	.6596	.6886	.7106	.7332
STAND PACK QTY (SPQ)	60000	60000	60000	60000	35000	30000	25000	10000	10000	10000	10000
QTY/REEL	10000	10000	10000	10000	7000	6000	5000	2000	2000	2000	2000
REELS/SHIPPER CARTON	6	6	6	6	5	5	5	5	5	5	5
CARTONS/PALLET (MAX)	5	5	5	5	5	5	5	5	5	5	5
FILLED CARTON WT (Kg)	14.83	15.37	TBD	TBD	15.64	14.70	13.57	11.5	11.8	12.0	12.2
FLANGE DIAMETER (MM)	610	610	610	610	610	610	610	610	610	610	610

CUSTOMER COPY

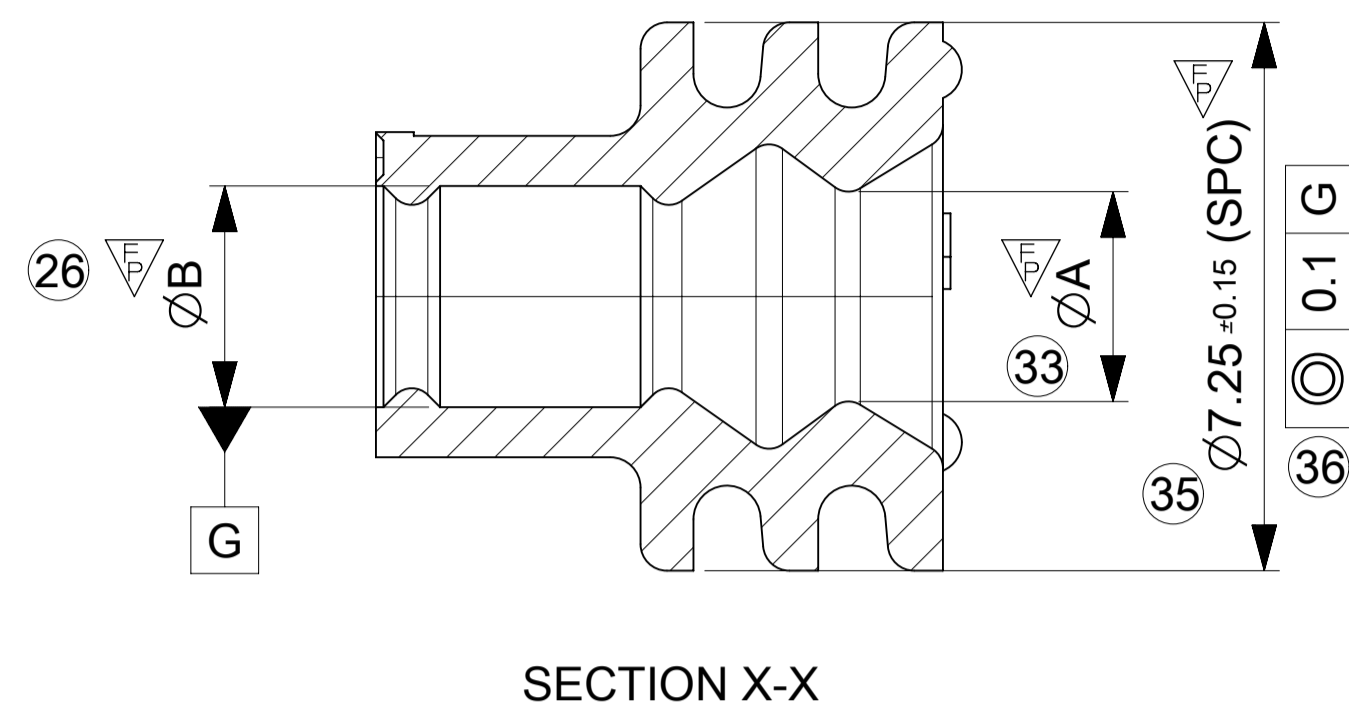
SPQ CORRECTION EC NO: UAU2015-0955 DRWN:PPHELPS 2014/12/19 CHKD: APPR: JNORTHRO 2015/01/26 REV: 4	QUALITY SYMBOLS	GENERAL TOLERANCES (UNLESS SPECIFIED) <table border="1"> <tr> <th></th> <th>mm</th> <th>INCH</th> </tr> <tr> <td>4 PLACES</td> <td>± .005</td> <td>± .0002</td> </tr> <tr> <td>3 PLACES</td> <td>± .005</td> <td>± .0002</td> </tr> <tr> <td>2 PLACES</td> <td>± .005</td> <td>± .0002</td> </tr> <tr> <td>1 PLACE</td> <td>± .005</td> <td>± .0002</td> </tr> </table>		mm	INCH	4 PLACES	± .005	± .0002	3 PLACES	± .005	± .0002	2 PLACES	± .005	± .0002	1 PLACE	± .005	± .0002	DIMENSION STYLE	SCALE	DESIGN UNITS	THIRD ANGLE PROJECTION
			mm	INCH																	
	4 PLACES		± .005	± .0002																	
	3 PLACES		± .005	± .0002																	
2 PLACES	± .005	± .0002																			
1 PLACE	± .005	± .0002																			
	MM ONLY	1:15	METRIC																		
	DRAWN BY: PPHELPS DATE: 2012/10/24 CHECKED BY:	TITLE	CTX PACKAGING SPEC GEN. MRKT. PRODUCT CUSTOMER COPY																		
	APPROVED BY: JNORTHRO DATE: 2012/11/26	MATERIAL NO. SEE TABLE	DOCUMENT NO. SD-31301-053	SHEET NO. 2 OF 2																	

DRAFT WHERE APPLICABLE  
MUST REMAIN  
WITHIN DIMENSIONS

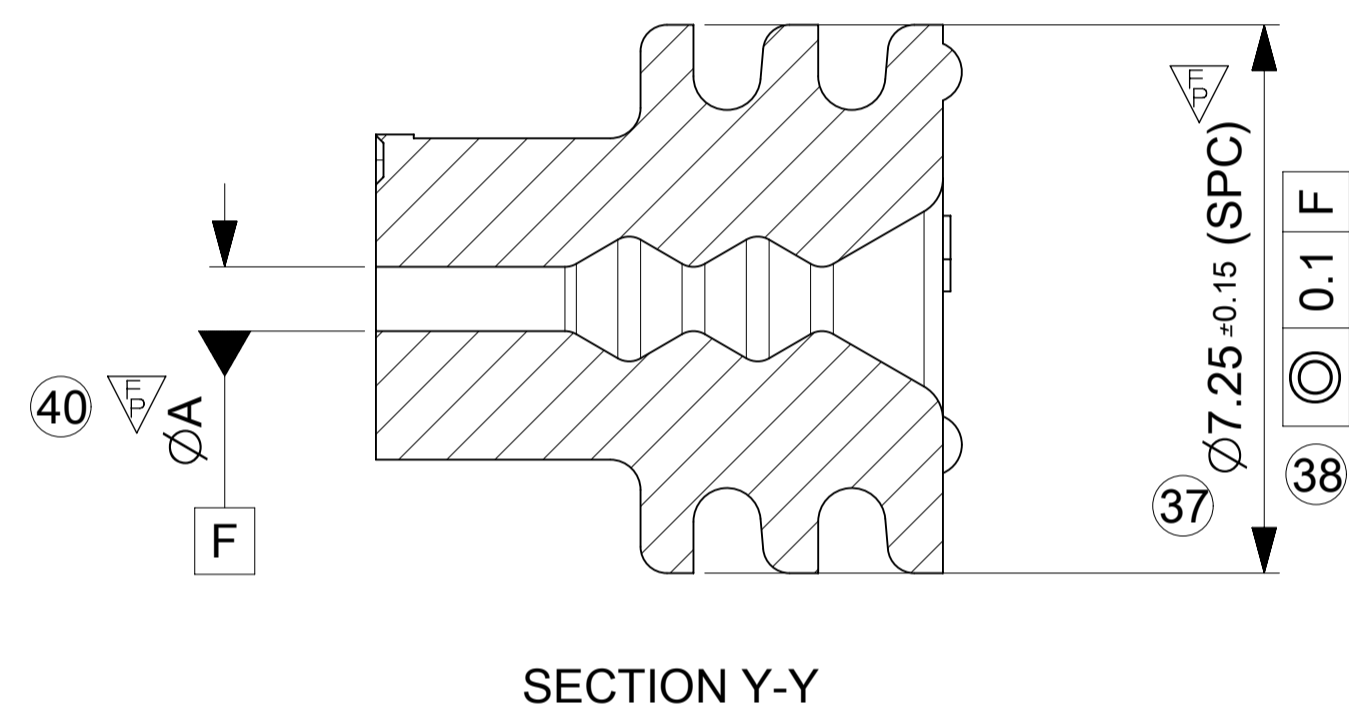
THIS DRAWING CONTAINS INFORMATION THAT IS PROPRIETARY TO MOLEX INCORPORATED AND SHOULD NOT BE USED WITHOUT WRITTEN PERMISSION



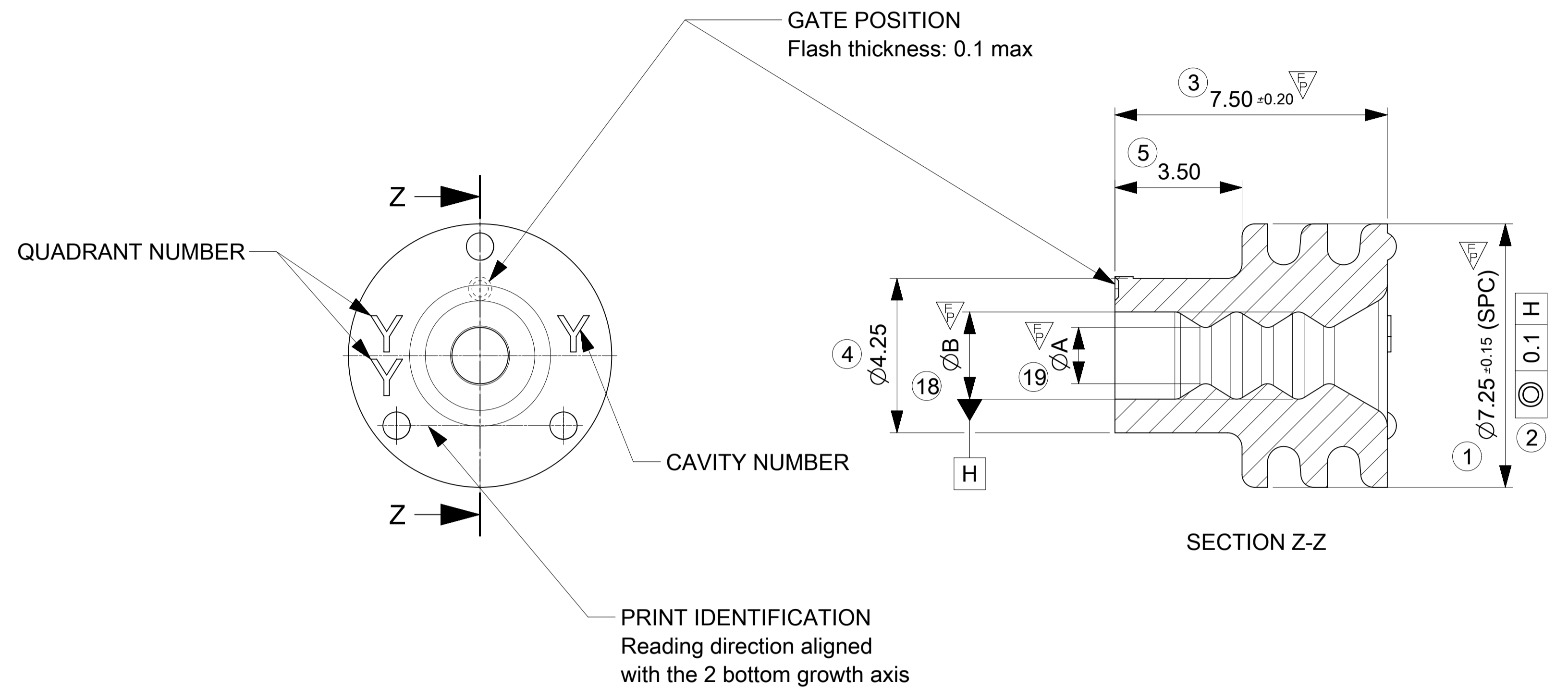
TYPE 2



TYPE 3

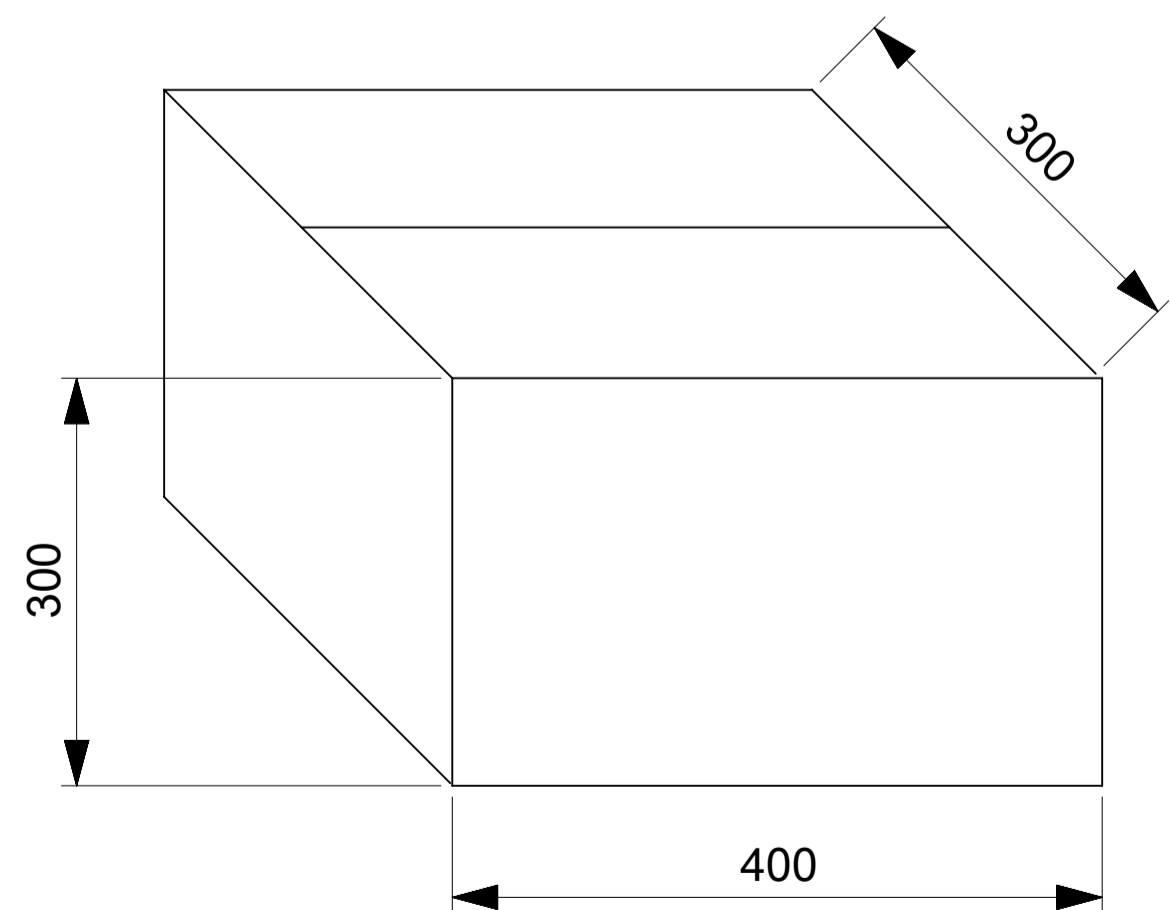


TYPE 1



BULK PACKAGING

50 000 seals (5 bags of 10 000 seals)/cardboard  
PACKAGING CODE: GALIA A12



(SPC): DENOTE SPC DIMENSION (3)

QUALITY SYMBOL COUNT	
PERFORMANCE	▽ = 10
ASSEMBLY	▽ = 0
CUSTOMER	▽ = 0

▽ MATERIAL SPECIFICATION : Silicon elastomer type LSR  
self bleeding (2% approx)

Flash max 0.1. No cut, no short shots,  
no tear, no distortion on seal lips allowed.

THIS DRAWING CONTAINS INFORMATION THAT IS PROPRIETARY TO MOLEX ELECTRONIC TECHNOLOGIES, LLC AND SHOULD NOT BE USED WITHOUT WRITTEN PERMISSION		CURRENT REV DESC: REMASTERED IN ECTR		<b>molex</b>	
DIMENSION UNITS	SCALE	EC NO: 633640			
mm	10:1	DRWN: MKP 2020/02/25		PRODUCT CUSTOMER DRAWING	
GENERAL TOLERANCES (UNLESS SPECIFIED)		CHK'D: OPLESSIS 2020/03/17		DOCUMENT NUMBER	
4 PLACES	±	APPR: CBOUCHAN 2020/03/18		SD-64325-006	
3 PLACES	±	INITIAL REVISION:		DOC TYPE   DOC PART   REVISION	
2 PLACES	± 0.1	DRWN: JDUCLIOS 2010/04/07		PSD   001   D1	
1 PLACE	± 0.1	APPR: BMOSEY 2010/05/04		MATERIAL NUMBER	
0 PLACES	± 0.1	ANGULAR TOL ± 0.5 °		CUSTOMER	
DRAFT WHERE APPLICABLE MUST REMAIN WITHIN DIMENSIONS		FIRST ANGLE PROJECTION		SHEET NUMBER	
		DRAWING SERIES		1 OF 1	
		A1-SIZE 64325		SEE CHART	
		GENERAL MARKET			

MOLEX PART NUMBER	COLOR	TYPE	ALLOWED WIRE DIAMETER	WEIGHT (g)	ØA	ØB
0643251366	BLUE	2	3.40/4.20	0.137	2.55/2.70	2.80/2.95
0643251358	GREY	2	2.65/3.50	0.158	2.00/2.15	2.20/2.35
0643251345	GREEN	1	2.00/2.80	0.168	1.40/1.70	2.25/2.55
0643251332	RED	3	1.30/2.15	0.190	0.70/1.00	-
DOCUMENT STATUS	P1	RELEASE DATE	2020/03/18 08:59:10			