



产品编号 : [672984090](#)

**Product Description** : Universal Serial Bus (USB) Shielded I/O Receptacle, Right-Angle, Dual Stacked, Type A, Gold (Au) Flash, White Housing, with 4 Beveled Metal Pins, Lead-Free

系列号 : 67298

状态 : Active

Product Category : I/O Connectors



---

## 文件和资源

### 图纸

[图纸 672984090\\_sd.pdf](#)

[包装设计图 PK-67298-003-001.pdf](#)

### 3D 模型和设计文件

[3D模型 672984090\\_stp.zip](#)

### 规格

[产品规格 PS-67298-001-001.pdf](#)

[测试摘要 TS-67298-008-001.pdf](#)

---

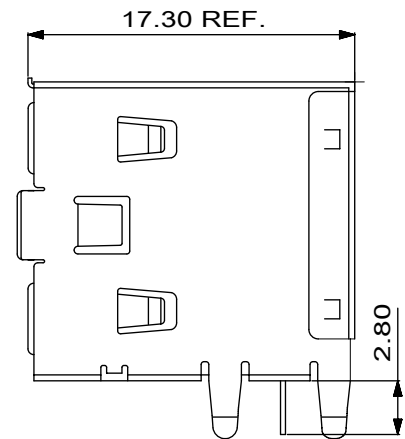
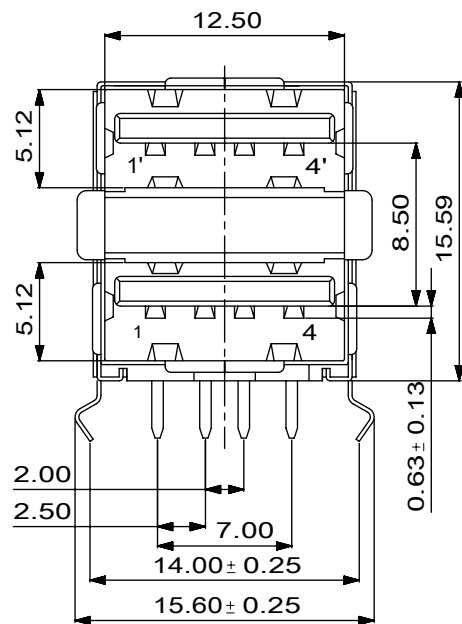
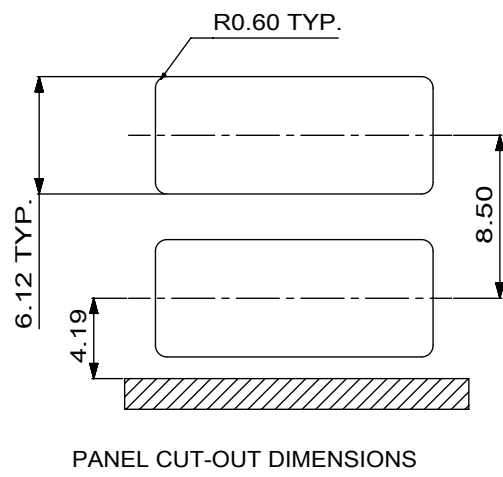
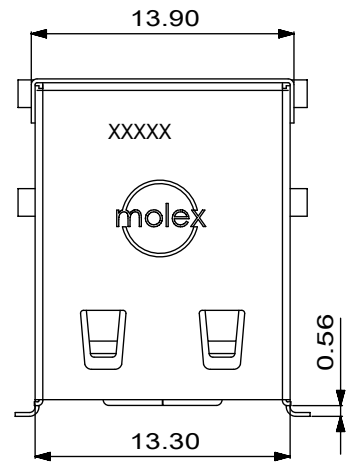
## 产物环境合规

### 合规

|                    |  |
|--------------------|--|
| GADSL/IMDS         | Not Relevant                                   |
| China RoHS         |  |
| EU ELV             | Not Relevant                                   |
| Low-Halogen Status | Not Low-Halogen per IEC 61249-2-21             |
| REACH SVHC         | Not Contained per D(2023)3788-DC (14 Jun 2023) |
| EU RoHS            | Compliant per EU 2015/863                      |

### 多部分产品合规性声明

- Eu RoHS
- REACH SVHC
- Low-Halogen

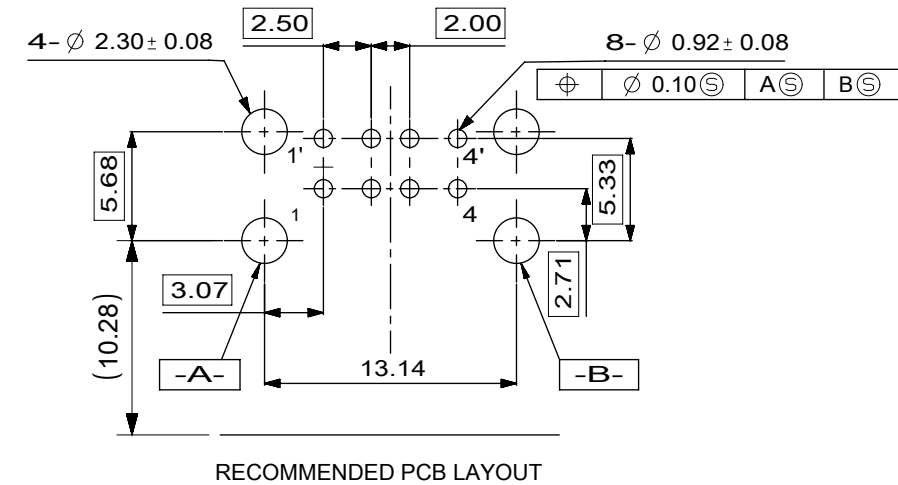
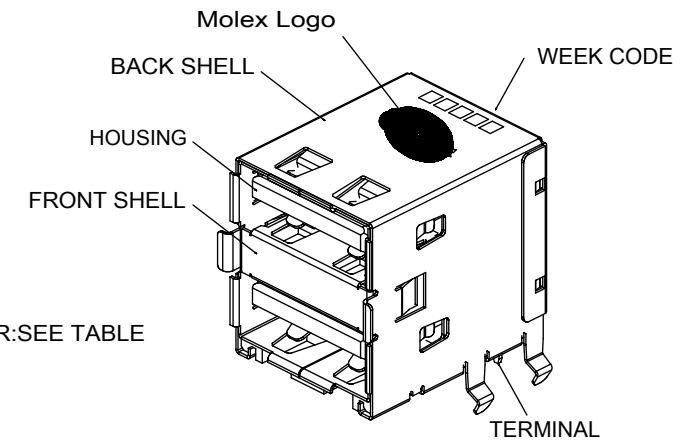


| P/N        | COLOR | CONTACT PLATING |
|------------|-------|-----------------|
| 67298-3090 | BLACK | GOLD FLASH      |
| 67298-4090 | WHITE | GOLD FLASH      |
| 67298-3091 | BLACK | 30 MICRO INCH   |
| 67298-4091 | WHITE | 30 MICRO CHEN   |

NOTE :

- MATERIAL :  
HOUSING :POLYESTER(PBT),GLASS FIBER FILLED, UL94-V0,COLOR:SEE TABLE  
TERMINAL :PHOSPHOR BRONZE  
METAL SHELL :FRONT SHELL:SUS 304  
BACK SHELL:SPCC
- PLATING :  
TERMINAL :  
CONTACT AREA :SEE TABLE  
SOLDER TAIL :TIN(Sn) ALLOY,THICKNESS=75 MICROINCH MIN/1.9 MICROMETER MIN.  
UNDER PLATE :NICKEL(Ni),THICKNESS=50 MICREINCH MIN/1.27 MICROMETER MIN.  
METAL SHELL :TIN PLATING,THICKNESS=100 MICROINCH MIN/2.54 MICROMETER MIN.  
UNDER PLATE :NICKEL (Ni),THICKNESS=50 MICROINCH MIN/1.27 MICROMETER MIN.
- RECOMMANDED PCB THICKNESS :1.60+/-0.05mm
- PRODUCT SPECIFICATION:REFER TO PS-67298-001
- TEST SUMMARY:REFER TO TS-67298-008
- PACKAGING:REFER TO PK-67298-003
- THE HOUSING MATERIAL IS NOT FOR IR REFLOW PROCESS OR SURFACE MOUNTING COMPATIBLE PROCESS.
- LEAD FREE AND ROHS COMPLIANCE PRODUCT
- WEEK CODE XXXXX

FACTORY  
WEEK  
YEAR



|   |  |                        |  |   |  |            |  |          |  |               |  |            |  |
|---|--|------------------------|--|---|--|------------|--|----------|--|---------------|--|------------|--|
| THIS DRAWING CONTAINS INFORMATION THAT IS PROPRIETARY TO MOLEX ELECTRONIC TECHNOLOGIES, LLC AND SHOULD NOT BE USED WITHOUT WRITTEN PERMISSION |  |                        |  |   |  |            |  |          |  |               |  |            |  |
| DIMENSION UNITS<br><b>mm</b>  |  | SCALE<br><b>1:1</b>    |  | CURRENT REV DESC: REVISED   |  |            |  |          |  |               |  |            |  |
| GENERAL TOLERANCES (UNLESS SPECIFIED)   |  |                        |  | <div style="text-align: center;"><b>molex</b></div> <p>USB DUAL STACKED A CONNECTOR (LEAD FREE VERSION)</p> <p>PRODUCT CUSTOMER DRAWING</p> |  |            |  |          |  |               |  |            |  |
| ANGULAR TOL ± 3.0°  |  | 4 PLACES ±             |  |   |  |            |  |          |  | EC NO: 605761 |  | 2018/10/09 |  |
| 3 PLACES ±  |  | 2 PLACES ± 0.25        |  |   |  |            |  |          |  | DRWN: FYANG05 |  | 2018/10/24 |  |
| 1 PLACE ± 0.25  |  | 1 PLACE ± 0.25         |  |   |  |            |  |          |  | CHK'D: RZHANG |  | 2018/10/24 |  |
| 0 PLACES ±  |  | INITIAL REVISION:      |  |   |  |            |  |          |  | APPR: RZHANG  |  | 2018/10/24 |  |
| DRAFT WHERE APPLICABLE MUST REMAIN WITHIN DIMENSIONS  |  | THIRD ANGLE PROJECTION |  |   |  |            |  |          |  | DRAWING       |  | SERIES     |  |
| DOCUMENT STATUS   |  | P1                     |  | RELEASE DATE  |  | 2018/10/24 |  | 04:05:16 |  |               |  |            |  |
| SD-67298-008  |  | PSD                    |  | 001   |  | D          |  | 1 OF 1   |  |               |  |            |  |

## 多部分行业合规性文件

- IPC 1752A Class C
- IPC 1752A Class D
- Molex Product Compliance Declaration
- IEC-62474
- chemSHERPA (xml)

## 欧盟 RoHS 合格证书

---

### 产品详情

#### 常规

|      |   |
|------|---|
| 状态   | 活动  |
| 类别   | I/O Connectors  |
| 系列   | 67298   |
| 说明   | Universal Serial Bus (USB) Shielded I/O Receptacle, Right-Angle, Dual Stacked, Type A, Gold (Au) Flash, White Housing, with 4 Beveled Metal Pins, Lead-Free |
| 应用   | Wire-to-Board   |
| 个评论  | 4 Beveled Metal Pins  |
| 元件类型 | Receptacle  |
| 产品系列 | USB Connectors: USB Type-A, USB Type-B, and USB Type-C Plugs and Receptacles  |
| 产品名称 | USB   |
| 标准   | USB 2.0   |
| 类型   | A   |
| UPC  | 822350050708  |

#### 电气

|         |             |
|---------|-------------|
| 每触点最大电流 | 1.5A        |
| 屏蔽形式    | Full Shield |
| 屏蔽      | 是           |
| 电压 - 最大 | 30V DC      |

#### 物理

|           |   |
|-----------|---|
| 回路数 (已载入) | 8 |
| 电路数 (最多)  | 8 |

|             |                |
|-------------|----------------|
| 颜色-树脂       | 白色             |
| 性别          | 女              |
| 插接极性        | 是              |
| 锁定插接部位      | 是              |
| 材料 - 接合部位电镀 | 金牌             |
| 材料 - 终端电镀   | Tin            |
| 安装方式        | Top-Mount      |
| 净重          | 5.667/g        |
| 行数          | 2              |
| 方向          | Right Angle    |
| 包装形式        | Tray           |
| 面板安装式       | 是              |
| PC 焊脚长度     | 2.80mm         |
| PCB 定位器     | 是              |
| PCB 保持力     | 是              |
| 推荐的 PCB 厚度  | 1.60mm         |
| 间距 - 插配接口   | 2.00mm, 2.50mm |
| 间距 - 终端界面   | 2.00mm, 2.50mm |
| 有极性的插配件     | 是              |
| PCB 极性      | 是              |
| 端口          | 2              |
| 运行温度范围      | 0° to +50° C   |
| 终端界面类型      | Through Hole   |
| 防水/防尘       | 否              |

---

## 可配插/可连接使用的产品

### 可配插部件

| 描述   | 产品编号            |
|------|-----------------|
| 配插使用 | USB Type A Plug |

---