



产品编号 : 673298001

**Product Description** : Universal Serial Bus (USB) Shielded I/O Receptacle, Type A Single Upright Right-Angle, Solder Tail Length 2.00mm, Kinked Pins, PCB Thickness 1.20mm and 1.60mm, 0.76µm Gold (Au) Plating, Lead-Free

系列号 : 67329

**状态** : Active

**Product Category** : I/O Connectors

---

## 文件和资源

### 图纸

图纸 673298001\_sd.pdf

包装设计图 PK-67329-001-001.pdf

### 3D 模型和设计文件

3D模型 673298001\_stp.zip


### 规格

产品规格 PS-89485-001.pdf

---

## 产物环境合规

### 合规

GADSL/IMDS	Not Relevant
China RoHS	
EU ELV	Not Relevant
Low-Halogen Status	Low-Halogen per IEC 61249-2-21
REACH SVHC	Not Contained per D(2023)8585-DC (23 Jan 2024)
EU RoHS	Compliant per EU 2015/863

### 多部分产品合规性声明

- Eu RoHS
- REACH SVHC
- Low-Halogen
  
- IPC 1752A Class C
- IPC 1752A Class D
- Molex Product Compliance Declaration

- IEC-62474

- chemSHERPA (xml)

欧盟 RoHS 合格证书

## 产品详情

### 常规

状态	活动
类别	I/O Connectors
系列	67329
说明	Universal Serial Bus (USB) Shielded I/O Receptacle, Type A Single Upright Right-Angle, Solder Tail Length 2.00mm, Kinked Pins, PCB Thickness 1.20mm and 1.60mm, 0.76µm Gold (Au) Plating, Lead-Free
应用	Wire-to-Board
个评论	Standard Mount Type
元件类型	Receptacle
产品系列	USB Connectors: USB Type-A, USB Type-B, and USB Type-C Plugs and Receptacles
产品名称	USB
标准	USB 2.0
类型	A
UPC	822350416894

### 机构

UL	E29179
----	--------

### 电气

每触点最大电流	1.0A
屏蔽形式	Full Shield
屏蔽	是

### 物理

回路数 (已载入)	4
电路数 (最多)	4

颜色-树脂	黑色
阻燃性	94V-0
性别	女
锁定插接部位	是
材料 - 接合部位电镀	金牌
材料 - 终端电镀	Tin
安装方式	Upright
净重	1.936/g
行数	4
方向	Right Angle
包装形式	Tray
面板安装式	否
PC 焊脚长度	2.00mm
PCB 定位器	是
PCB 保持力	是
推荐的 PCB 厚度	1.60mm
间距 - 插配接口	不适用
间距 - 终端界面	1.40mm
最薄镀层 - 接合部位	0.762µm
最薄镀层 - 端接	2.540µm
有极性的插配件	是
PCB 极性	是
端口	1
终端界面类型	Through Hole
防水/防尘	否

## 进程

最长持续时间	3
无铅	REFLOW
最大周期	1
最高温度	245

可配插/可连接使用的产品

可配插部件

描述	产品编号
配插使用	USB Type A Plug

---

This document was generated on Jun 04, 2024

NOTES :

1. MATERIAL :

HOUSING : HIGH TEMPERATURE NYLON ,GLASS FIBER, UL94-V0 , COLOR: BLACK  
 TERMINAL : PHOSPHOR BRONZE  
 METAL SHELL : COPPER ALLOY

2. PLATING :

TERMINAL :

CONTACT AREA : (a) GOLD FLASH.

(b) GL0D (Au), THICKNESS = 30 MICROINCH/0.76 MICROMETER

SOLDER TAIL : PURE TIN(Sn),

THICKNESS= 75 MICROINCH /1.9 MICROMETER

UNDER PLATE : NICKEL (NI), THICKNESS= 50 MICROINCH/1.27 MICROMETER

METAL SHELL :

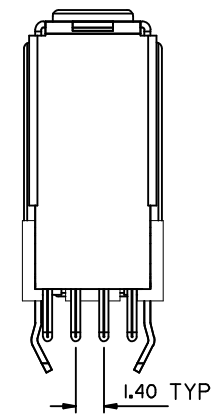
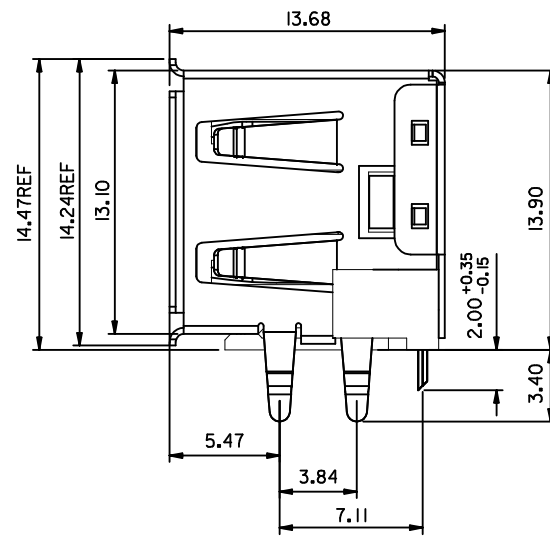
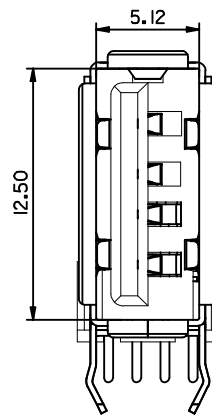
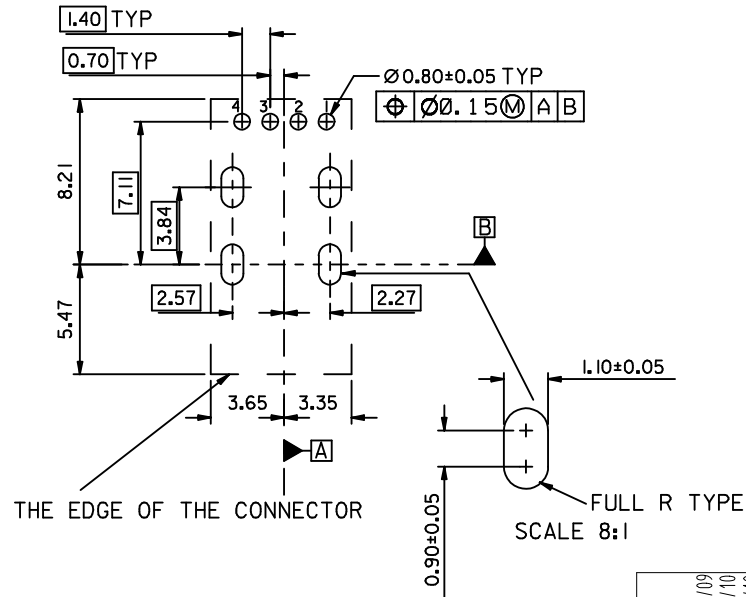
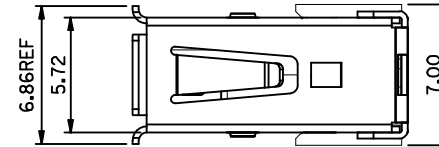
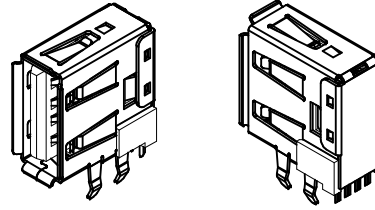
PURE TIN(Sn), THICKNESS=50-100MICROINCH /1.27-2.54MICROMETER.

UNDER PLATE : NICKEL (NI), THICKNESS= 50 MICROINCH/1.27 MICROMETER

3 RECOMMENDED PCB THICKNESS : 1.20±0.05mm & 1.60±0.05 mm

4 PRODUCT SPECIFICATION : REFER TO PS-89485

5 PACKAGING SPECIFICATION : REFER TO PK-67329-001



PART NUMBER LEGEND:

P/N	CONTACT PLATING
67329-8000	GOLD FLASH
67329-8001	0.76 MICROMETER/30 MICROINCH GOLD

NEW RELEASE	EC NO:	2005/12/09
	DRW:HPOLIAN	2006/01/10
	CHKD:HARVEY	2006/01/10
	APPR:HWANG	2006/01/10
REV	DESCRIPTION	
A		

QUALITY SYMBOLS	▽=0
	∇=0
	GENERAL TOLERANCES (UNLESS SPECIFIED)
	4 PLACES ± --- ± ---
	3 PLACES ± --- ± ---
2 PLACES ± 0.25 ± ---	
1 PLACE ± 0.25 ± ---	
ANGULAR ± 3 °	
DRAFT WHERE APPLICABLE MUST REMAIN WITHIN DIMENSIONS	

DIMENSION STYLE		SCALE	DESIGN UNITS	THIRD ANGLE PROJECTION
MM ONLY		4:1	METRIC	
DRAWN BY	DATE	TITLE		
QIANHUIPING	2005/12/09	USB "A" UPRIGHT CONN. FLANGE OUT TYPE LEAD-FREE		
CHECKED BY	DATE	MOLEX INCORPORATED		
HARVEY	2005/12/09			
APPROVED BY	DATE			
GARY	2005/12/09			
MATERIAL NO.	DOCUMENT NO.	SHEET NO.		
67329-800*	SD-67329-801	1 OF 1		
SIZE A3	THIS DRAWING CONTAINS INFORMATION THAT IS PROPRIETARY TO MOLEX INCORPORATED AND SHOULD NOT BE USED WITHOUT WRITTEN PERMISSION			