

产品编号 : 676432911

Product Description : Universal Serial Bus (USB) Shielded I/O Receptacle, Right-Angle, Type A, High-Temperature Black Nylon, 0.76µm Gold (Au) Plating, PCB Thickness 1.60mm, without Upper Flange, for IR Reflow Process, Lead-Free

系列号 : 67643

状态 : Active

Product Category : I/O Connectors



文件和资源

图纸

图纸 676432911_sd.pdf

包装设计图 PK-67643-002-001.pdf

3D 模型和设计文件

3D模型 676432911_stp.zip


规格

产品规格 PS-67643-002-001.pdf

测试摘要 TS-67643-002-001.pdf

产物环境合规

合规

GADSL/IMDS	Not Relevant
China RoHS	
EU ELV	Not Relevant
Low-Halogen Status	Not Low-Halogen per IEC 61249-2-21
REACH SVHC	Not Contained per D(2023)3788-DC (14 Jun 2023)
EU RoHS	Compliant per EU 2015/863

多部分产品合规性声明

- Eu RoHS
- REACH SVHC
- Low-Halogen

多部分行业合规性文件

- IPC 1752A Class C
- IPC 1752A Class D
- Molex Product Compliance Declaration
- IEC-62474
- chemSHERPA (xml)

欧盟 RoHS 合格证书

产品详情

常规

状态	活动
类别	I/O Connectors
系列	67643
说明	Universal Serial Bus (USB) Shielded I/O Receptacle, Right-Angle, Type A, High-Temperature Black Nylon, 0.76µm Gold (Au) Plating, PCB Thickness 1.60mm, without Upper Flange, for IR Reflow Process, Lead-Free
应用	Wire-to-Board
个评论	Without Upper Flange, For IR Reflow Process
元件类型	Receptacle
产品系列	USB Connectors: USB Type-A, USB Type-B, and USB Type-C Plugs and Receptacles
产品名称	USB
标准	USB 2.0
类型	A
UPC	822350071659

机构

UL	E29179
----	--------

电气

每触点最大电流	1.5A
屏蔽	是
电压 - 最大	30V

物理

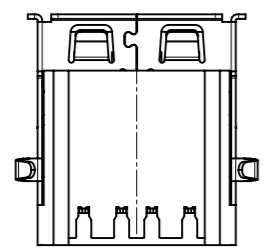
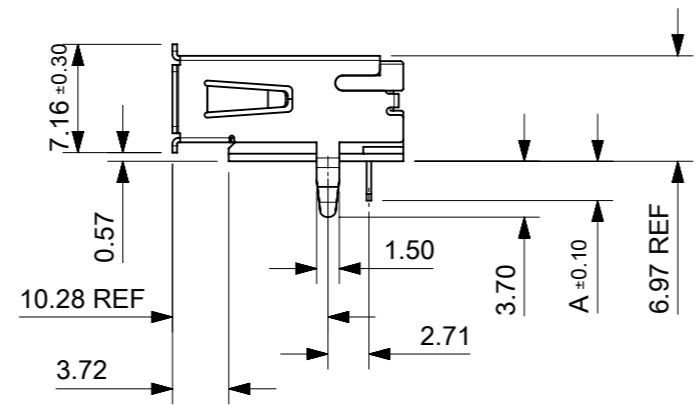
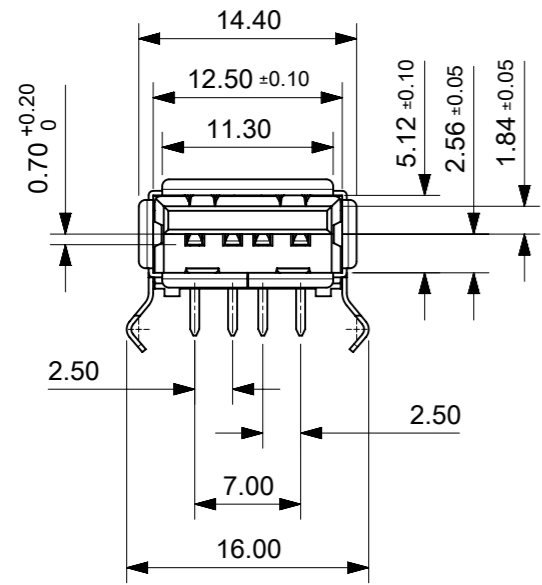
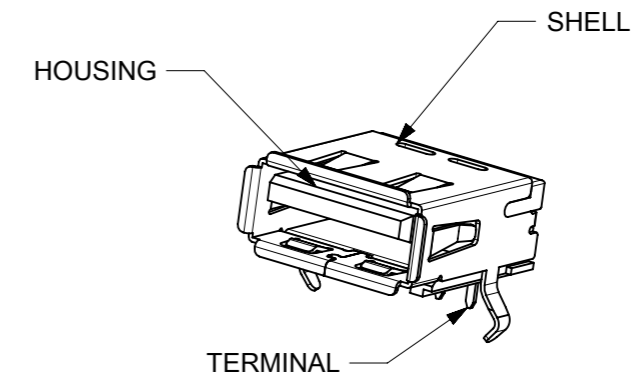
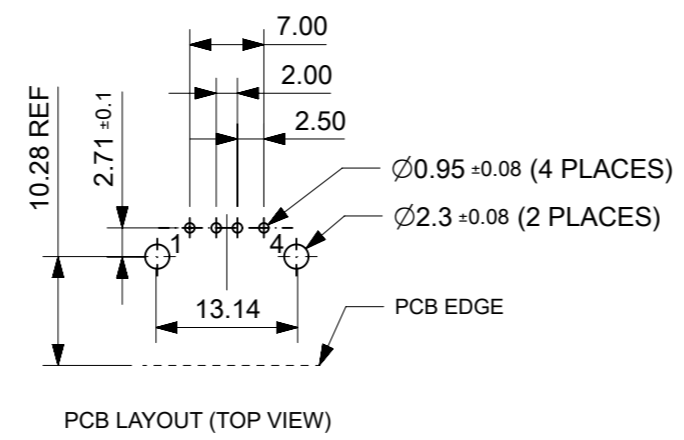
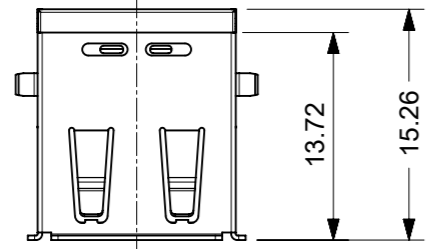
回路数 (已载入)	4
电路数 (最多)	4
颜色-树脂	黑色
性别	女
插接极性	是
锁定插接部位	是
材料 - 接合部位电镀	金牌
材料 - 终端电镀	Tin
安装方式	Top-Mount
净重	1.860/g
行数	1
方向	Right Angle
包装形式	Tray
面板安装式	是
PC 焊脚长度	2.60mm
PCB 定位器	是
PCB 保持力	是
推荐的 PCB 厚度	1.60mm
间距 - 插配接口	2.50mm
最薄镀层 - 接合部位	0.762µm
有极性的插配件	是
PCB 极性	是
运行温度范围	-40° to +85° C
终端界面类型	Through Hole
防水/防尘	否

可配插/可连接使用的产品

可配插部件

描述	产品编号
配插使用	USB Type A Plug

This document was generated on Jan 03, 2024



NOTES:

1. MATERIAL:
METAL SHELL: COPPER ALLOY.
HOUSING: SEE CHART, 30% GLASS FIBER FILLED, UL94-V0.
TERMINAL: PHOSPHOR BRONZE
2. TERMINAL:
CONTACT AREA: (a) GOLD FLASH.
(b) GOLD (Au), THICKNESS=0.76µM/ 30µINCH MINIMUM.
SOLDER TAIL: TIN PLATED, THICKNESS=1.9µM/ 75µINCH MINIMUM.
UNDER PLATED: NICKEL (Ni), THICKNESS=1.25µM/50µINCH MINIMUM.
METAL SHELL: SEE CHART.
3. RECOMMENDED PCB THICKNESS: SEE CHART
4. PRODUCT SPECIFICATION: FOR IR REFER TO PS-67643-002
FOR NON IR REFER TO PS-67643-003
5. TORQUE FORCE SPEC: 2.50kg-cm Min, MEASURED AT BROKEN POINT.
6. TEST SUMMARY: FOR IR REFER TO TS-67643-002
FOR NON IR REFER TO TS-67643-003
7. PACKAGE: REFER TO PK-67643-002
8. LEAD FREE AND ROHS COMPLIANT PRODUCT

THIS DRAWING CONTAINS INFORMATION THAT IS PROPRIETARY TO MOLEX ELECTRONIC TECHNOLOGIES, LLC AND SHOULD NOT BE USED WITHOUT WRITTEN PERMISSION									
DIMENSION UNITS		SCALE		CURRENT REV DESC: OBSOLETE PART NUMBER				molex	
mm		2:1							
GENERAL TOLERANCES (UNLESS SPECIFIED)				EC NO: 655037		2021/01/15		USB A TYPE RECT SINGLE RA THROUGH HOLE W/O FLG LEAD-FREE	
				DRWN: VLOKESHA		2021/03/16			
				CHK'D: GGA		2021/03/16			
				APPR: GGA		2021/03/16		PRODUCT CUSTOMER DRAWING	
				INITIAL REVISION:				DOCUMENT NUMBER	
				DRWN: FYANGO5		2013/12/12		SD-67643-003	
				APPR:				DOC TYPE DOC PART REVISION	
				ANGULAR TOL ± 3.0°				PSD 001 H	
DRAFT WHERE APPLICABLE MUST REMAIN WITHIN DIMENSIONS				THIRD ANGLE PROJECTION		DRAWING		MATERIAL NUMBER	
				A3-SIZE		SERIES		CUSTOMER	
				67643		SEE TABLE		GENERAL MARKET	
						SHEET NUMBER		1 OF 2	

P/N	HOUSING MATERIAL	COLOR	CONTACT PLATING	METAL SHELL PLATING	REMARK
67643-0910	POLYESTER	BLACK	GOLD FLASH	BRIGHT TIN PLATED. THICKNESS= 1.25μM/50μINCH MINIMUM UNDER PLATE:NICKEL (Ni).	NON IR RPOCESEE
67643-2910	HIGH TEMPERATURE NYLON	BLACK			FOR IR REFLOW PROCESS
67643-3910	HIGH TEMPERATURE NYLON	WHITE	0.76μM/30μINCH		FOR IR REFLOW PROCESS
67643-2911	HIGH TEMPERATURE NYLON	BLACK			FOR IR REFLOW PROCESS
67643-3911	HIGH TEMPERATURE NYLON	WHITE			
PCB THICKNESS		1.60±0.05			
DIMENSION "A"		2.60			

THIS DRAWING CONTAINS INFORMATION THAT IS PROPRIETARY TO MOLEX ELECTRONIC TECHNOLOGIES, LLC AND SHOULD NOT BE USED WITHOUT WRITTEN PERMISSION									
DIMENSION UNITS		SCALE		CURRENT REV DESC: OBSOLETE PART NUMBER				molex	
mm		2:1							
GENERAL TOLERANCES (UNLESS SPECIFIED)				EC NO: 655037		2021/01/15		USB A TYPE RECT SINGLE RA THROUGH HOLE W/O FLG LEAD-FREE	
				DRWN: VLOKESHA		2021/03/16			
				CHK'D: GGA		2021/03/16			
				APPR: GGA		2021/03/16		PRODUCT CUSTOMER DRAWING	
				INITIAL REVISION:					
				DRWN: FYANGO5		2013/12/12			
				APPR:					
				ANGULAR TOL ± 3.0°					
DRAFT WHERE APPLICABLE MUST REMAIN WITHIN DIMENSIONS		THIRD ANGLE PROJECTION 		DRAWING A3-SIZE		SERIES 67643		SHEET NUMBER 2 OF 2	
				MATERIAL NUMBER SEE TABLE		CUSTOMER GENERAL MARKET		DOCUMENT NUMBER SD-67643-003	
								DOC TYPE PSD	
								DOC PART 001	
								REVISION H	

DOCUMENT STATUS	P1	RELEASE DATE	2021/03/16	13:03:13
-----------------	----	--------------	------------	----------