



产品编号 : 702462001

Product Description : 2.54mm Pitch C-Grid Header, Low Profile, Dual Row, Vertical, Shrouded, 20 Circuits, 0.38µm Gold (Au) Selective Plating, Tin (Sn) PC Tail Plating

系列号 : 70246

状态 : Active

Product Category : PCB Headers and Receptacles

文件和资源

图纸

图纸 702462001_sd.pdf

包装设计图 PK-87835-001-001.pdf

3D 模型和设计文件

3D模型 702462001_stp.zip


规格

应用规格 713080001-AS-000.pdf

产品规格 PS-70246-100-001.pdf

产物环境合规

合规

GADSL/IMDS	Compliant with Exemption 44; 34; 33
China RoHS	
EU ELV	Not Relevant
Low-Halogen Status	Not Low-Halogen per IEC 61249-2-21
REACH SVHC	Not Contained per D(2023)8585-DC (23 Jan 2024)
EU RoHS	Compliant per EU 2015/863

多部分产品合规性声明

- Eu RoHS
- REACH SVHC
- Low-Halogen
- IPC 1752A Class C

- IPC 1752A Class D
- Molex Product Compliance Declaration
- IEC-62474
- chemSHERPA (xml)

欧盟 RoHS 合格证书

产品详情

常规

状态	活动
类别	PCB Headers and Receptacles
系列	70246
说明	2.54mm Pitch C-Grid Header, Low Profile, Dual Row, Vertical, Shrouded, 20 Circuits, 0.38µm Gold (Au) Selective Plating, Tin (Sn) PC Tail Plating
应用	Signal, Wire-to-Board
元件类型	PCB Header
产品系列	C-Grid Connector Products
产品名称	C-Grid
UPC	822348487417

机构

CSA	LR19980
UL	E29179

电气

每触点最大电流	2.5A
电压 - 最大	250V DC

物理

断开	否
回路数 (已载入)	20
电路数 (最多)	20
先接后断	否
阻燃性	94V-0
符合灼热丝规范	否

可配插产品指南	否
插接极性	无
锁定插接部位	无
材料 - 接合部位电镀	金牌
材料 - 终端电镀	Tin
净重	2.547/g
行数	2
方向	垂直
包装形式	Tray
PC 焊脚长度	3.43mm
PCB 定位器	否
PCB 保持力	无
推荐的 PCB 厚度	1.60mm
间距 - 插配接口	2.54mm
间距 - 终端界面	2.54mm
最薄镀层 - 接合部位	0.381 μ m
最薄镀层 - 端接	1.905 μ m
有极性的插配件	Center Slot
PCB 极性	否
有护墙的	Fully
可堆叠的	否
运行温度范围	-55° to +120° C
终端界面类型	Through Hole

进程

最长持续时间	10
无铅	WAVE
最大周期	1
最高温度	235

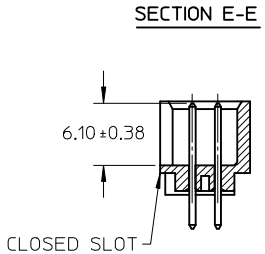
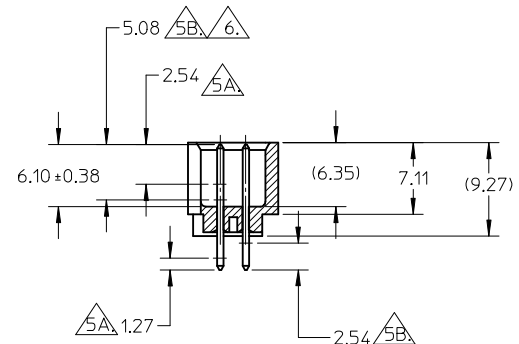
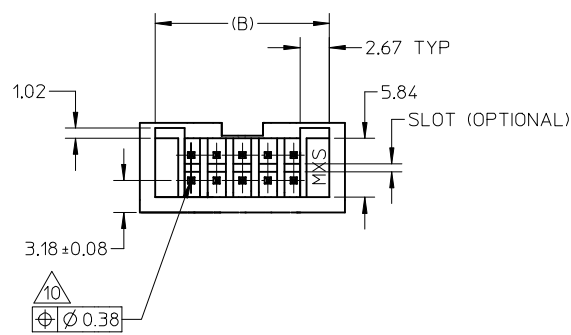
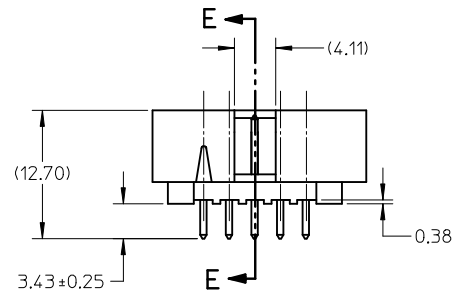
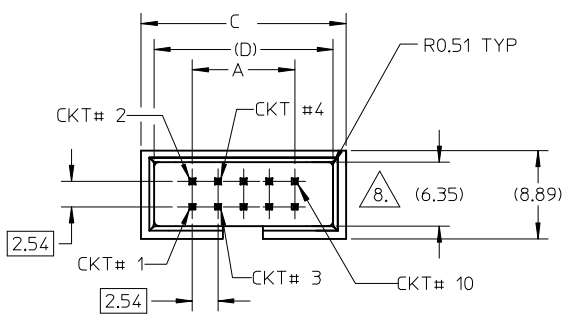
可配插/可连接使用的产品

可配插部件

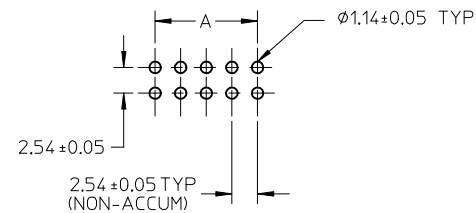
描述	产品编号
----	------

C-Grid Vertical, Dual Row, High Profile, Surface Mount PCB Connectors	<u>71395</u>
C-Grid Vertical, Dual Row, High Profile, Through Hole PCB Receptacles	<u>71850</u>
SL Dual Row Crimp Housings	<u>70450</u>

This document was generated on Jul 01, 2024



MOLEX IRELAND PRODUCTION ONLY (OPTION)



RECOMMENDED PCB HOLE LAYOUT

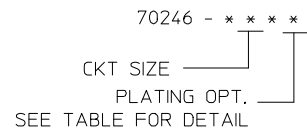
NOTES:

1. PIN PUSHOUT FORCE (.9072KG)/2LBS MIN.
2. PIN SOLDERABILITY PER MOLEX SPEC. ES-152.
3. PRODUCT SPEC: PS-70246-100 APPLIES.
4. WAFER TO BE FLAT WITHIN .003 MM/MM.
5. DIMENSIONS FOR PLATING LOCATION:
 - 5A MEASURE POINT FOR THICKNESS
 - 5B MINIMUM COVERAGE
6. GOLD END OF PIN UNLESS OVERALL PLATED.
7. FINISH:
 - 571 : 15 MICRO INCHES MIN GOLD PLATE ON CONTACT AND 75 MICRO INCHES MIN TIN PLATE ON SOLDER TAIL BOTH OVER 50 MICRO INCHES MIN NICKEL OVERALL.
 - 574 : 30 MICRO INCHES MIN GOLD PLATE ON CONTACT AND 75 MICRO INCHES MIN TIN PLATE ON SOLDER TAIL BOTH OVER 50 MICRO INCHES MIN NICKEL OVERALL.
 - 544 : 5 MICRO INCHES MIN GOLD PLATE ON CONTACT AND 75 MICRO INCHES MIN TIN PLATE ON SOLDER TAIL BOTH OVER 50 MICRO INCHES MIN NICKEL OVERALL.
 - 573 : 20 MICRO INCHES MIN GOLD PLATE ON CONTACT AND 100 MICRO INCHES MIN TIN PLATE ON SOLDER TAIL BOTH OVER 50 MICRO INCHES MIN NICKEL OVERALL.
8. DIM AT THE CENTRE OF THE SHROUDED WALL SHALL BE 5.91MM MIN. THIS SPEC IS VALID FOR ALL CKT SIZE.
9. MATERIAL:
 - HSG: GLASS FILLED PBT, UL94V-0, COLOUR BLACK
 - PIN: 0.64MM SQ. PIN PHOSPHOR BRONZE.
10. SOLDER TAIL POSITIONAL TOLERANCE SHALL BE GAUGED.

UPDATE NOTE #3. EC NO: S2013-0029 DRW:ATSEE 2012/07/20 CHKD:SKANG 2012/08/06 APPR:MLONG 2012/10/08	QUALITY SYMBOLS ▽=0 ◻=0	GENERAL TOLERANCES (UNLESS SPECIFIED)		DIMENSION STYLE MM ONLY		SCALE NTS	DESIGN UNITS METRIC	THIRD ANGLE PROJECTION		
			mm	INCH	DRAWN BY	DATE	TITLE			
		4 PLACES	± ---	± ---	JENNIFER	1987/09/18	C-GRID, SHROUDED HEADER (SLOTTED W/O STANDOFFS)			
		3 PLACES	± ---	± ---	CHECKED BY	DATE				
2 PLACES	± 0.20	± ---	RWONG	1987/09/18	MOLEX INCORPORATED					
1 PLACE	± ---	± ---	APPROVED BY	DATE						
	ANGULAR ± 3 °		ALANB	1987/09/18	MATERIAL NO. SEE TABLE		DOCUMENT NO. SDA-70246-**20-25_39-41		SHEET NO. 1 OF 2	
J6	REV	DRAFT WHERE APPLICABLE MUST REMAIN WITHIN DIMENSIONS		SIZE	THIS DRAWING CONTAINS INFORMATION THAT IS PROPRIETARY TO MOLEX INCORPORATED AND SHOULD NOT BE USED WITHOUT WRITTEN PERMISSION					

10	9			8			7	6	5	4	3	2	1
PART NUMBER	CKT SIZE	VOID CKT	DIM A	DIM B	DIM C	DIM D	VOID CKT, ONLY APPLY TO PLATING CODE						
70246-08**	08	-	7.62	14.73	17.78	15.24	-						
70246-10**	10	-	10.16	17.27	20.32	17.78	-						
70246-12**	12	-	12.70	19.81	22.86	20.32	-						
70246-14**	14	-	15.24	22.35	25.40	22.86	-						
70246-16**	16	-	17.78	24.89	27.94	25.40	-						
70246-20**	20	-	22.86	29.97	33.02	30.48	-						
70246-24**	24	-	27.94	35.05	38.10	35.56	-						
70246-26**	26	-	30.48	37.59	40.64	38.10	-						
70246-30**	30	-	35.56	42.67	45.72	43.18	-						
70246-34**	34	-	40.64	47.75	50.80	48.26	-						
70246-40**	40	-	48.26	55.37	58.42	55.88	-						
70246-44**	44	-	53.34	60.45	63.50	60.96	-						
70246-50**	50	-	60.96	68.07	71.12	68.58	-						
70246-1003	10	10	10.16	17.27	20.32	17.78	571						

LEGEND:



△ PART NUMBER	PLATING OPTION
70246-***01	571
70246-***02	574
70246-***04	544

D

C

B

A

UPDATE NOTE #3. EC NO: S2013-0029 2012/07/20 DR:WATSEE 2012/08/06 CHK:SKANG 2012/10/08 APPR:MLONG	QUALITY SYMBOLS 	GENERAL TOLERANCES (UNLESS SPECIFIED)		DIMENSION STYLE MM ONLY		SCALE NTS	DESIGN UNITS METRIC	THIRD ANGLE PROJECTION	
		4 PLACES ± --- ± ---	DRAWN BY JENNIFER	DATE 1987/09/18	TITLE C-GRID, SHROUDED HEADER (SLOTTED W/O STANDOFFS)				
		3 PLACES ± --- ± ---	CHECKED BY RWONG	DATE 1987/09/18					
		2 PLACES ± 0.20 ± ---	APPROVED BY ALANB	DATE 1987/09/18					
1 PLACE ± --- ± ---	MATERIAL NO. SEE TABLE								
ANGULAR ± 3 °		DRAFT WHERE APPLICABLE MUST REMAIN WITHIN DIMENSIONS		MOLEX INCORPORATED		DOCUMENT NO. SDA-70246-***20-25_39-41	SHEET NO. 2 OF 2		
SIZE A3		THIS DRAWING CONTAINS INFORMATION THAT IS PROPRIETARY TO MOLEX INCORPORATED AND SHOULD NOT BE USED WITHOUT WRITTEN PERMISSION							