

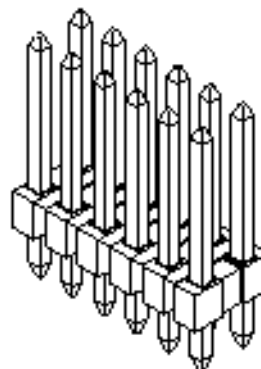
产品编号：[702871106](#)

**Product Description**：2.54mm Pitch C-Grid Header, Breakaway, Dual Row, Vertical, with Retention Pin, 20 Circuits, 6.10mm Mating Pin Length, 0.38µm Gold (Au) Selective Plating

系列号：70287

状态：Active

**Product Category**：PCB Headers and Receptacles



---

## 文件和资源

### 图纸

[图纸 702871106\\_sd.pdf](#)

[包装设计图 PK-70873-0353-001.pdf](#)

### 3D 模型和设计文件

[3D模型 702871106\\_stp.zip](#)

### 规格


[应用规格 713080001-AS-000.pdf](#)

[产品规格 PS-70280-001.pdf](#)

---

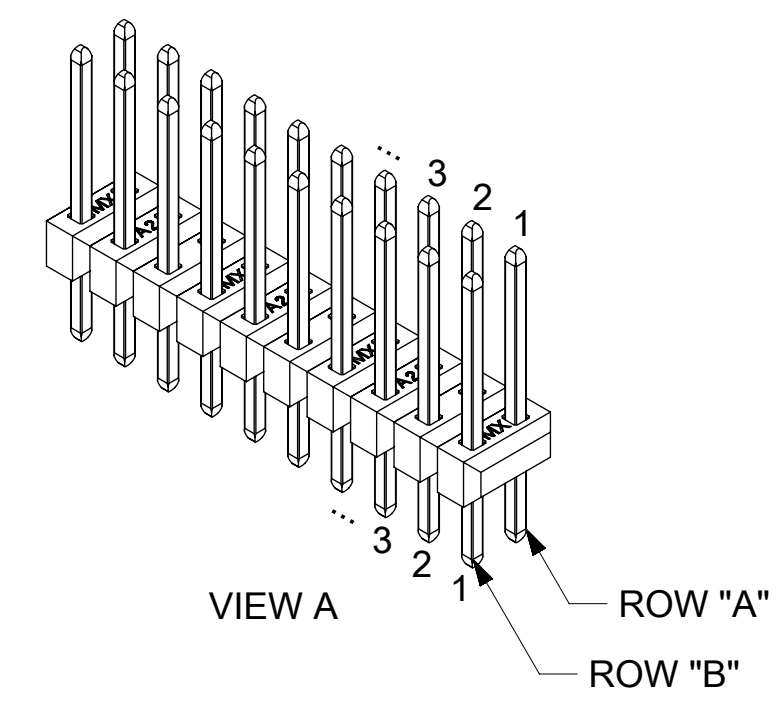
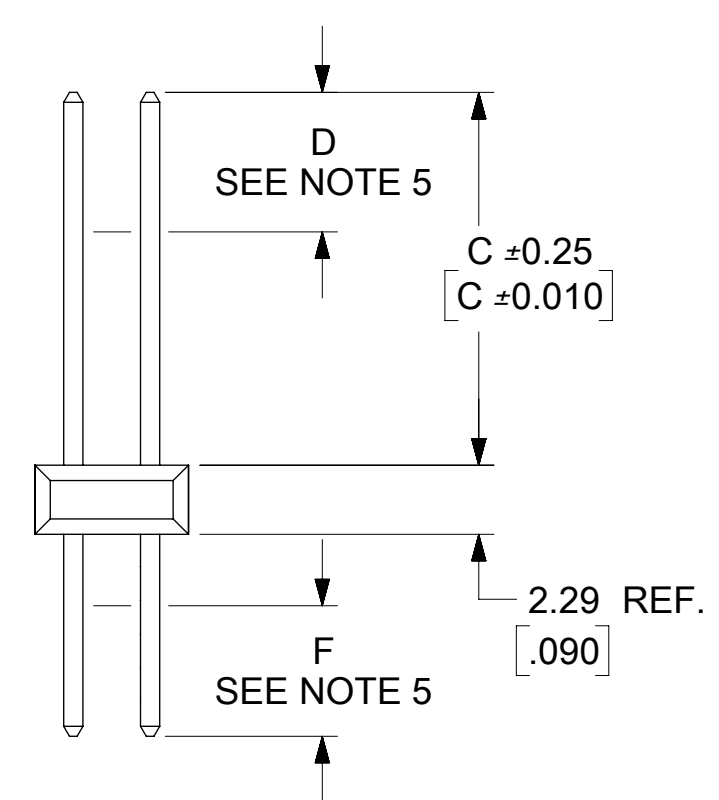
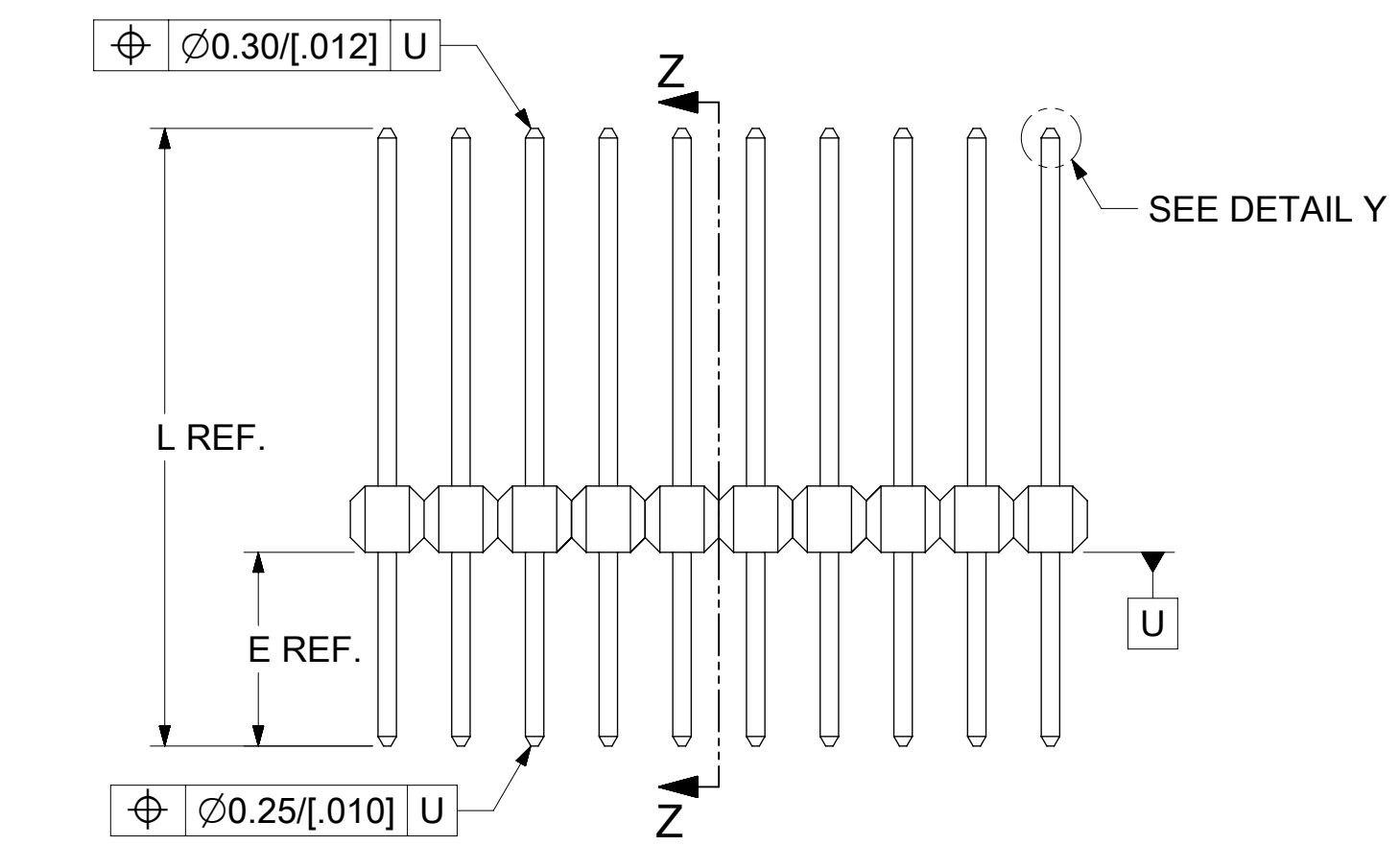
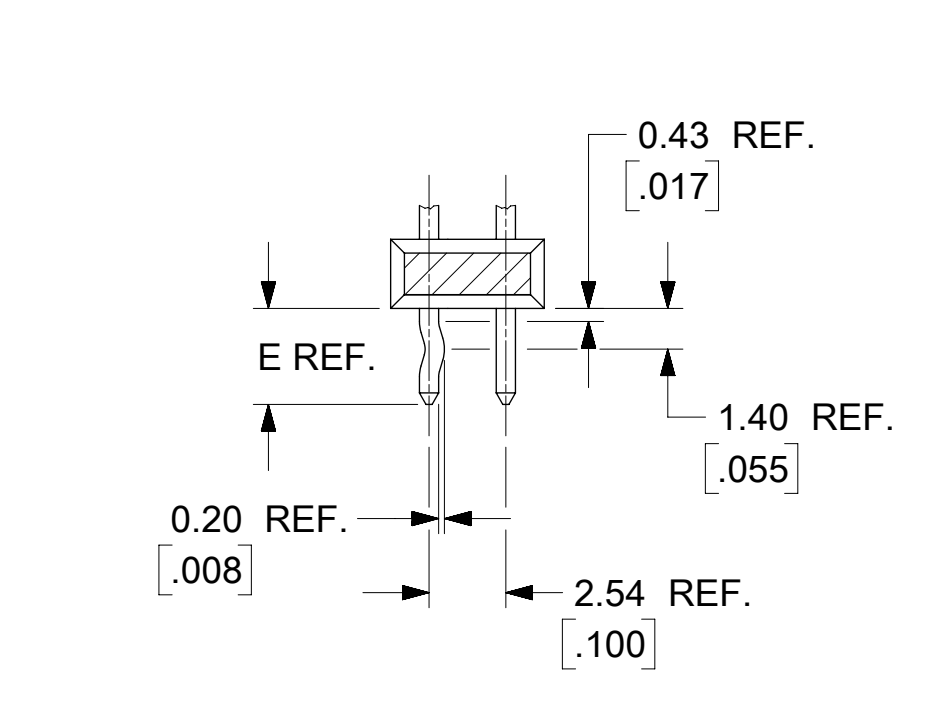
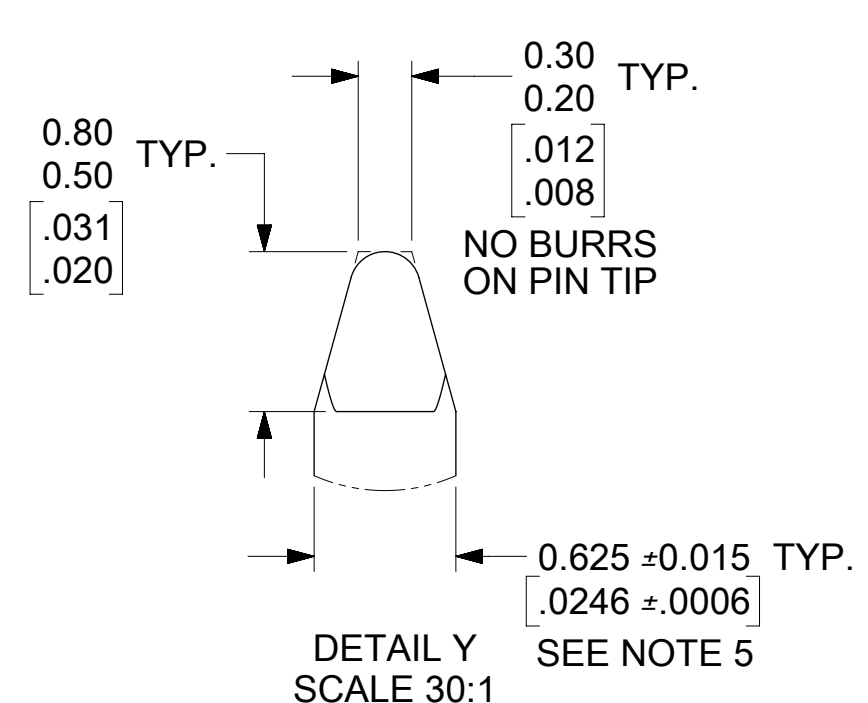
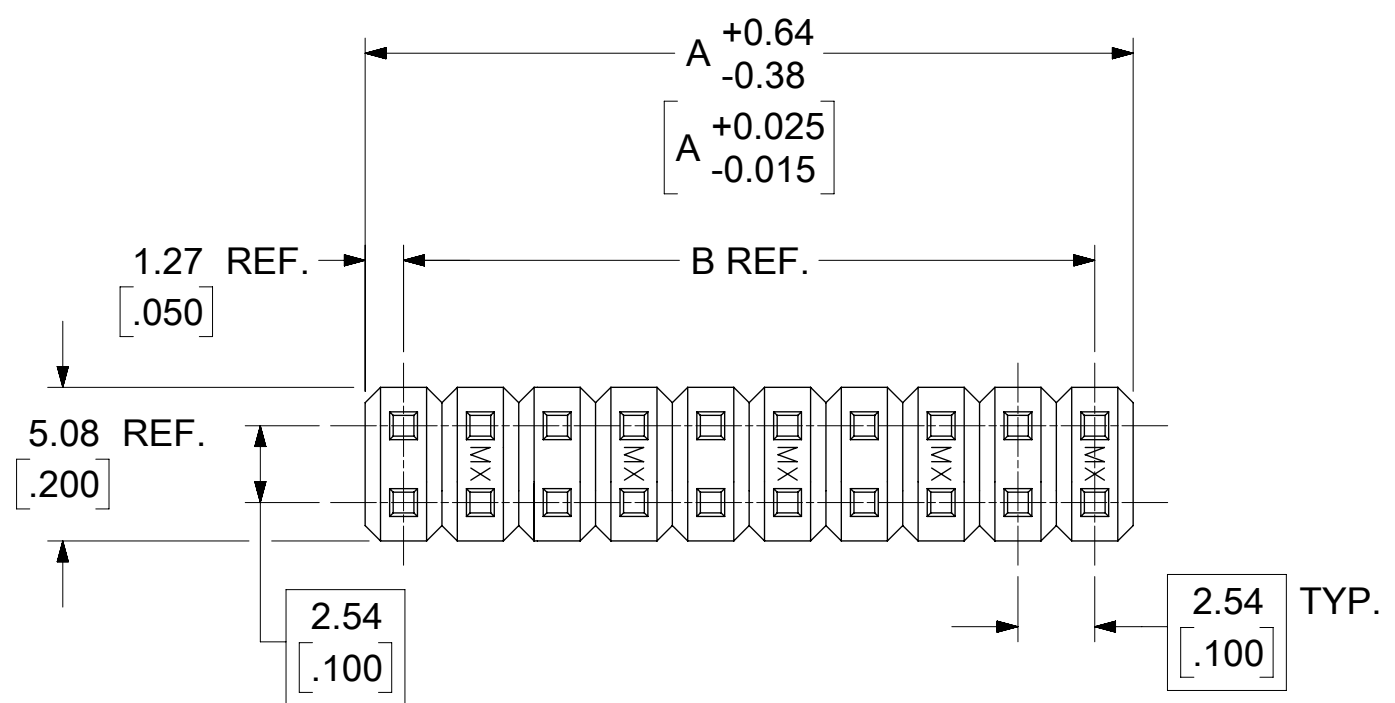
## 产物环境合规

### 合规

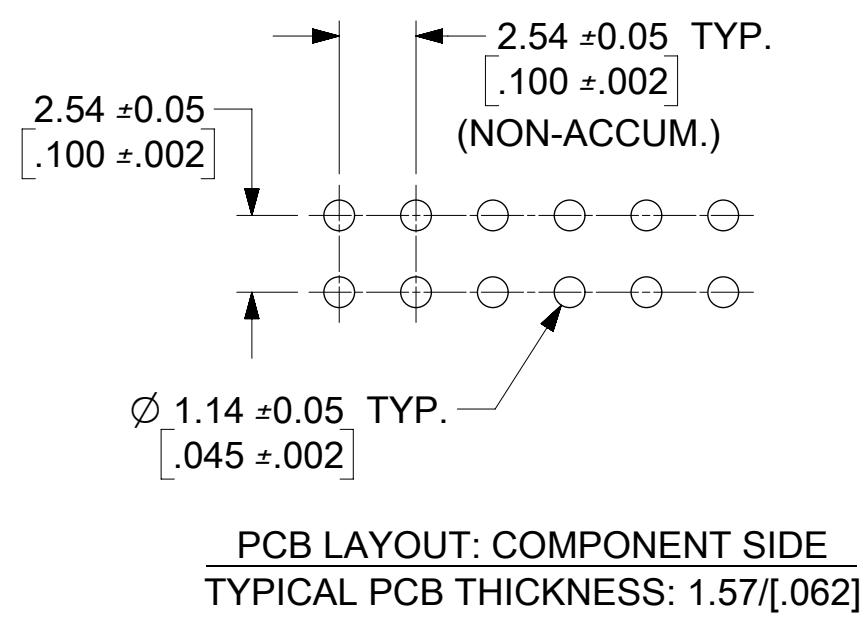
|                    |   |
|--------------------|---|
| GADSL/IMDS         | Not Relevant  |
| China RoHS         |  |
| EU ELV             | Not Relevant  |
| Low-Halogen Status | Low-Halogen per IEC 61249-2-21  |
| REACH SVHC         | Not Contained per D(2023)3788-DC (14 Jun 2023)  |
| EU RoHS            | Compliant per EU 2015/863   |

### 多部分产品合规性声明

- Eu RoHS
- REACH SVHC
- Low-Halogen



- NOTES:**
- MATERIAL: WAFER - GLASS FILLED LIQUID CRYSTAL POLYMER, UL94V-0, COLOR: BLACK  
PIN - COPPER ALLOY
  - FINISH: (TIN) OVERALL TIN: 0.00381/[.000150] MIN., OVERALL NICKEL UNDERPLATE: 0.00127/[.000050] MIN.  
(15 GOLD) SELECT GOLD: 0.00038/[.000015] MIN., SELECT TIN: 0.00191/[.000075] MIN., OVERALL NICKEL UNDERPLATE: 0.00127/[.000050] MIN.  
(30 GOLD) SELECT GOLD: 0.00076/[.000030] MIN., SELECT TIN: 0.00191/[.000075] MIN., OVERALL NICKEL UNDERPLATE: 0.00127/[.000050] MIN.
  - PRODUCT SPECIFICATION: PS-70280
  - PACKAGING INFORMATION: (UNLESS OTHERWISE NOTED IN TABLES)  
PARTS TO BE PACKAGED PER PK-70873-0353.
  - MEASURE POINT FOR PLATING THICKNESS. DIMENSION D IS ALSO THE MEASURE POINT FOR PIN WIDTH.
  - RETENTIVE TAIL LOCATIONS (SEE VIEW "A")



| NUMBER OF CIRCUITS IN ROW B | RETENTIVE TAIL LOCATIONS   |
|-----------------------------|--|
| EVEN NUMBER                 | 2 PINS IN THE MIDDLE OF ROW B  |
| ODD NUMBER                  | PIN IN THE CENTER OF ROW B AND ONE OTHER PIN IN ROW B ON EITHER SIDE OF THE CENTER PIN |

- PIN PUSHOUT FORCE: 3 LBS. MIN. (IN EITHER DIRECTION)
- FOR ILLUSTRATION PURPOSES, 20 (DUAL 10) CIRCUIT SIZE IS SHOWN.
- PINS MUST MEET SOLDERABILITY SPEC. SMES-152, EXCEPT VOIDS ARE PERMISSIBLE AT BANDOLIERS PIN FAYING SURFACE. (APPROXIMATELY 0.64/[.025] LNG X 0.15/[.006] WIDE AT 2 LOCATIONS)
- PARTS CONFORM TO CLASS B REQUIREMENTS OF COSMETIC SPECIFICATION PS-45499-002.

| CKT. SIZE | DIM. A REF. |       | DIM. B REF. |       |
|-----------|-------------|-------|-------------|-------|
|           | MM          | INCH  | MM          | INCH  |
| 4         | 5.08        | .200  | 2.54        | .100  |
| 6         | 7.62        | .300  | 5.08        | .200  |
| 8         | 10.16       | .400  | 7.62        | .300  |
| 10        | 12.70       | .500  | 10.16       | .400  |
| 12        | 15.24       | .600  | 12.70       | .500  |
| 14        | 17.78       | .700  | 15.24       | .600  |
| 16        | 20.32       | .800  | 17.78       | .700  |
| 18        | 22.86       | .900  | 20.32       | .800  |
| 20        | 25.40       | 1.000 | 22.86       | .900  |
| 22        | 27.94       | 1.100 | 25.40       | 1.000 |
| 24        | 30.48       | 1.200 | 27.94       | 1.100 |
| 26        | 33.02       | 1.300 | 30.48       | 1.200 |
| 28        | 35.56       | 1.400 | 33.02       | 1.300 |
| 30        | 38.10       | 1.500 | 35.56       | 1.400 |
| 32        | 40.64       | 1.600 | 38.10       | 1.500 |
| 34        | 43.18       | 1.700 | 40.64       | 1.600 |
| 36        | 45.72       | 1.800 | 43.18       | 1.700 |
| 38        | 48.26       | 1.900 | 45.72       | 1.800 |
| 40        | 50.80       | 2.000 | 48.26       | 1.900 |
| 42        | 53.34       | 2.100 | 50.80       | 2.000 |
| 44        | 55.88       | 2.200 | 53.34       | 2.100 |
| 46        | 58.42       | 2.300 | 55.88       | 2.200 |
| 48        | 60.96       | 2.400 | 58.42       | 2.300 |
| 50        | 63.50       | 2.500 | 60.96       | 2.400 |
| 52        | 66.04       | 2.600 | 63.50       | 2.500 |
| 54        | 68.58       | 2.700 | 66.04       | 2.600 |
| 56        | 71.12       | 2.800 | 68.58       | 2.700 |
| 58        | 73.66       | 2.900 | 71.12       | 2.800 |
| 60        | 76.20       | 3.000 | 73.66       | 2.900 |
| 62        | 78.74       | 3.100 | 76.20       | 3.000 |
| 64        | 81.28       | 3.200 | 78.74       | 3.100 |
| 66        | 83.82       | 3.300 | 81.28       | 3.200 |
| 68        | 86.36       | 3.400 | 83.82       | 3.300 |
| 70        | 88.90       | 3.500 | 86.36       | 3.400 |
| 72        | 91.44       | 3.600 | 88.90       | 3.500 |
| 74        | 93.98       | 3.700 | 91.44       | 3.600 |
| 76        | 96.52       | 3.800 | 93.98       | 3.700 |
| 78        | 99.06       | 3.900 | 96.52       | 3.800 |
| 80        | 101.06      | 4.000 | 99.06       | 3.900 |
| 82        | 104.14      | 4.100 | 101.06      | 4.000 |
| 84        | 106.68      | 4.200 | 104.14      | 4.100 |
| 86        | 109.22      | 4.300 | 106.68      | 4.200 |
| 88        | 111.76      | 4.400 | 109.22      | 4.300 |
| 90        | 114.30      | 4.500 | 111.76      | 4.400 |
| 92        | 116.84      | 4.600 | 114.30      | 4.500 |
| 94        | 119.38      | 4.700 | 116.84      | 4.600 |
| 96        | 121.92      | 4.800 | 119.38      | 4.700 |
| 98        | 124.46      | 4.900 | 121.92      | 4.800 |
| 100       | 127.00      | 5.000 | 124.46      | 4.900 |

THIS DRAWING CONTAINS INFORMATION THAT IS PROPRIETARY TO MOLEX ELECTRONIC TECHNOLOGIES, LLC AND SHOULD NOT BE USED WITHOUT WRITTEN PERMISSION

|  |                        |   |
|--|------------------------|---|
| DIMENSION UNITS: MM/INCH                             | SCALE: 4:1             | CURRENT REV/DESC: MIGRATED TO NX  |
| GENERAL TOLERANCES (UNLESS SPECIFIED)                |                        | EC NO: 614461<br>DRWN: ABABU01 2019/03/13<br>CHK'D: NMANE02 2019/03/26<br>APPR: MRAMAKRISHNA 2019/03/26 |
| 4 PLACES ±   | ±                      |   |
| 3 PLACES ±   | ± 0.005                | INITIAL REVISION:   |
| 2 PLACES ±   | ± 0.13 ± 0.01          | DRWN: MKIPPER 2009/11/02  |
| 1 PLACE ±  | ±                      | APPR: FSMITH 2009/11/02   |
| 0 PLACES ±   | ±                      | ANGULAR TOL ± 0.5°  |
| DRAFT WHERE APPLICABLE MUST REMAIN WITHIN DIMENSIONS | THIRD ANGLE PROJECTION | DRAWING: C-SIZE   |
|  |                        | SERIES: 70287   |

SALES ASSY-HIGH TEMP.  
DUAL ROW, .025" SQ PINS .100" GRID W/ RET. PINS

PRODUCT CUSTOMER DRAWING

|                               |                          |                      |              |
|-------------------------------|--------------------------|----------------------|--------------|
| DOCUMENT NUMBER: SD-70287-004 | DOC TYPE: PSD            | DOC PART: 001        | REVISION: A1 |
| MATERIAL NUMBER: SEE CHART    | CUSTOMER: GENERAL MARKET | SHEET NUMBER: 1 OF 3 |              |

| ENG. NO: A-70287-1000 / 1048 |                 |                      |                 |
|------------------------------|-----------------|----------------------|-----------------|
| DIM. C                       |                 | 6.10/[.240]          |                 |
| DIM. E (REF.)                |                 | 3.18/[.125]          |                 |
| DIM. L (REF.)                |                 | 11.56/[.455]         |                 |
| MATING SIDE PLATING          |                 | TIN                  |                 |
| DIM. D (MEASURE PT.)         |                 | 2.54/[.100]          |                 |
| P.C. BOARD SIDE PLATING      |                 | TIN                  |                 |
| DIM. F (MEASURE PT.)         |                 | 1.27/[.050]          |                 |
| RETENTIVE PIN LOCATION       |                 | SEE NOTE 6, SHEET 1  |                 |
| PACKAGING                    |                 | BULK - PK-70873-0353 |                 |
| CKTS                         | MATERIAL NUMBER | CKTS                 | MATERIAL NUMBER |
| 04                           | 70287-1000      | 54                   | 70287-1025      |
| 06                           | 70287-1001      | 56                   | 70287-1026      |
| 08                           | 70287-1002      | 58                   | 70287-1027      |
| 10                           | 70287-1003      | 60                   | 70287-1028      |
| 12                           | 70287-1004      | 62                   | 70287-1029      |
| 14                           | 70287-1005      | 64                   | 70287-1030      |
| 16                           | 70287-1006      | 66                   | 70287-1031      |
| 18                           | 70287-1007      | 68                   | 70287-1032      |
| 20                           | 70287-1008      | 70                   | 70287-1033      |
| 22                           | 70287-1009      | 72                   | 70287-1034      |
| 24                           | 70287-1010      | 74                   | 70287-1035      |
| 26                           | 70287-1011      | 76                   | 70287-1036      |
| 28                           | 70287-1012      | 78                   | 70287-1037      |
| 30                           | 70287-1013      | 80                   | 70287-1038      |
| 32                           | 70287-1014      | 82                   | 70287-1039      |
| 34                           | 70287-1015      | 84                   | 70287-1040      |
| 36                           | 70287-1016      | 86                   | 70287-1041      |
| 38                           | 70287-1017      | 88                   | 70287-1042      |
| 40                           | 70287-1018      | 90                   | 70287-1043      |
| 42                           | 70287-1019      | 92                   | 70287-1044      |
| 44                           | 70287-1020      | 94                   | 70287-1045      |
| 46                           | 70287-1021      | 96                   | 70287-1046      |
| 48                           | 70287-1022      | 98                   | 70287-1047      |
| 50                           | 70287-1023      | 100                  | 70287-1048      |
| 52                           | 70287-1024      |                      |                 |

| ENG. NO: A-70287-1098 / 1146 |                 |                      |                 |
|------------------------------|-----------------|----------------------|-----------------|
| DIM. C                       |                 | 6.10/[.240]          |                 |
| DIM. E (REF.)                |                 | 3.18/[.125]          |                 |
| DIM. L (REF.)                |                 | 11.56/[.455]         |                 |
| MATING SIDE PLATING          |                 | 15 GOLD              |                 |
| DIM. D (MEASURE PT.)         |                 | 2.54/[.100]          |                 |
| P.C. BOARD SIDE PLATING      |                 | TIN                  |                 |
| DIM. F (MEASURE PT.)         |                 | 1.27/[.050]          |                 |
| RETENTIVE PIN LOCATION       |                 | SEE NOTE 6, SHEET 1  |                 |
| PACKAGING                    |                 | BULK - PK-70873-0353 |                 |
| CKTS                         | MATERIAL NUMBER | CKTS                 | MATERIAL NUMBER |
| 04                           | 70287-1098      | 54                   | 70287-1123      |
| 06                           | 70287-1099      | 56                   | 70287-1124      |
| 08                           | 70287-1100      | 58                   | 70287-1125      |
| 10                           | 70287-1101      | 60                   | 70287-1126      |
| 12                           | 70287-1102      | 62                   | 70287-1127      |
| 14                           | 70287-1103      | 64                   | 70287-1128      |
| 16                           | 70287-1104      | 66                   | 70287-1129      |
| 18                           | 70287-1105      | 68                   | 70287-1130      |
| 20                           | 70287-1106      | 70                   | 70287-1131      |
| 22                           | 70287-1107      | 72                   | 70287-1132      |
| 24                           | 70287-1108      | 74                   | 70287-1133      |
| 26                           | 70287-1109      | 76                   | 70287-1134      |
| 28                           | 70287-1110      | 78                   | 70287-1135      |
| 30                           | 70287-1111      | 80                   | 70287-1136      |
| 32                           | 70287-1112      | 82                   | 70287-1137      |
| 34                           | 70287-1113      | 84                   | 70287-1138      |
| 36                           | 70287-1114      | 86                   | 70287-1139      |
| 38                           | 70287-1115      | 88                   | 70287-1140      |
| 40                           | 70287-1116      | 90                   | 70287-1141      |
| 42                           | 70287-1117      | 92                   | 70287-1142      |
| 44                           | 70287-1118      | 94                   | 70287-1143      |
| 46                           | 70287-1119      | 96                   | 70287-1144      |
| 48                           | 70287-1120      | 98                   | 70287-1145      |
| 50                           | 70287-1121      | 100                  | 70287-1146      |
| 52                           | 70287-1122      |                      |                 |

| ENG. NO: A-70287-1196 / 1244 |                 |                      |                 |
|------------------------------|-----------------|----------------------|-----------------|
| DIM. C                       |                 | 6.10/[.240]          |                 |
| DIM. E (REF.)                |                 | 3.18/[.125]          |                 |
| DIM. L (REF.)                |                 | 11.56/[.455]         |                 |
| MATING SIDE PLATING          |                 | 30 GOLD              |                 |
| DIM. D (MEASURE PT.)         |                 | 2.54/[.100]          |                 |
| P.C. BOARD SIDE PLATING      |                 | TIN                  |                 |
| DIM. F (MEASURE PT.)         |                 | 1.27/[.050]          |                 |
| RETENTIVE PIN LOCATION       |                 | SEE NOTE 6, SHEET 1  |                 |
| PACKAGING                    |                 | BULK - PK-70873-0353 |                 |
| CKTS                         | MATERIAL NUMBER | CKTS                 | MATERIAL NUMBER |
| 04                           | 70287-1196      | 54                   | 70287-1221      |
| 06                           | 70287-1197      | 56                   | 70287-1222      |
| 08                           | 70287-1198      | 58                   | 70287-1223      |
| 10                           | 70287-1199      | 60                   | 70287-1224      |
| 12                           | 70287-1200      | 62                   | 70287-1225      |
| 14                           | 70287-1201      | 64                   | 70287-1226      |
| 16                           | 70287-1202      | 66                   | 70287-1227      |
| 18                           | 70287-1203      | 68                   | 70287-1228      |
| 20                           | 70287-1204      | 70                   | 70287-1229      |
| 22                           | 70287-1205      | 72                   | 70287-1230      |
| 24                           | 70287-1206      | 74                   | 70287-1231      |
| 26                           | 70287-1207      | 76                   | 70287-1232      |
| 28                           | 70287-1208      | 78                   | 70287-1233      |
| 30                           | 70287-1209      | 80                   | 70287-1234      |
| 32                           | 70287-1210      | 82                   | 70287-1235      |
| 34                           | 70287-1211      | 84                   | 70287-1236      |
| 36                           | 70287-1212      | 86                   | 70287-1237      |
| 38                           | 70287-1213      | 88                   | 70287-1238      |
| 40                           | 70287-1214      | 90                   | 70287-1239      |
| 42                           | 70287-1215      | 92                   | 70287-1240      |
| 44                           | 70287-1216      | 94                   | 70287-1241      |
| 46                           | 70287-1217      | 96                   | 70287-1242      |
| 48                           | 70287-1218      | 98                   | 70287-1243      |
| 50                           | 70287-1219      | 100                  | 70287-1244      |
| 52                           | 70287-1220      |                      |                 |

|   |  |                |  |                                    |  |            |  |  |  |
|---|--|----------------|--|------------------------------------|--|------------|--|--|--|
| THIS DRAWING CONTAINS INFORMATION THAT IS PROPRIETARY TO MOLEX ELECTRONIC TECHNOLOGIES, LLC AND SHOULD NOT BE USED WITHOUT WRITTEN PERMISSION |  |                |  |                                    |  |            |  |  |  |
| DIMENSION UNITS   |  | SCALE          |  | CURRENT REV / DESC: MIGRATED TO NX |  |            |  | <b>molex</b>   |  |
| MM/INCH   |  | 1:1            |  |                                    |  |            |  |  |  |
| GENERAL TOLERANCES (UNLESS SPECIFIED)   |  |                |  | EC NO: 614461                      |  | 2019/03/13 |  | SALES ASSY-HIGH TEMP.<br>DUAL ROW, .025" SQ PINS .100" GRID W/ RET. PINS |  |
| 4 PLACES ±  |  | ±              |  | DRWN: ABABU01                      |  | 2019/03/26 |  |  |  |
| 3 PLACES ±  |  | ± 0.005        |  | CHK'D: NMANE02                     |  | 2019/03/26 |  | PRODUCT CUSTOMER DRAWING   |  |
| 2 PLACES ±  |  | ± 0.13 ± 0.01  |  | APPR: MRAMAKRISHNA                 |  | 2019/03/26 |  |  |  |
| 1 PLACE ±   |  | ±              |  | INITIAL REVISION:                  |  |            |  | DOCUMENT NUMBER  |  |
| 0 PLACES ±  |  | ±              |  | DRWN: MKIPPER                      |  |            |  |  |  |
| ANGULAR TOL ±   |  | ± 0.5 °        |  | APPR: FSMITH                       |  | 2009/11/02 |  | SD-70287-004   |  |
| DRAFT WHERE APPLICABLE<br>MUST REMAIN WITHIN DIMENSIONS   |  |                |  | THIRD ANGLE PROJECTION             |  | DRAWING    |  | SERIES   |  |
|   |  |                |  |                                    |  | C-SIZE     |  | 70287  |  |
| MATERIAL NUMBER   |  | CUSTOMER       |  | SHEET NUMBER                       |  | DOC TYPE   |  | DOC PART   |  |
| SEE CHART   |  | GENERAL MARKET |  | 2 OF 3                             |  | PSD        |  | 001  |  |
|   |  |                |  |                                    |  |            |  | A1   |  |

| ENG. NO: A-70287-1294   |                 |  |          |
|-------------------------|-----------------|--|----------|
| DIM. C                  |                 | 6.10/[.240]                                |          |
| DIM. E (REF.)           |                 | 3.18/[.125]                                |          |
| DIM. L (REF.)           |                 | 11.56/[.455]                               |          |
| MATING SIDE PLATING     |                 | TIN  |          |
| DIM. D (MEASURE PT.)    |                 | 2.54/[.100]                                |          |
| P.C. BOARD SIDE PLATING |                 | TIN  |          |
| DIM. F (MEASURE PT.)    |                 | 1.27/[.050]                                |          |
| RETENTIVE PIN LOCATION  |                 | ROW B - CKTS 1, 5<br>(SEE NOTE 6, SHEET 1) |          |
| PACKAGING               |                 | BULK - PK-70873-0353                       |          |
| VOID PIN LOCATION       |                 |  |          |
| CKTS                    | MATERIAL NUMBER | ROW  | LOCATION |
| 10                      | 70287-1294      | A  | 2, 3     |
|                         |                 | B  | 2, 3     |
|                         |                 |  |          |
|                         |                 |  |          |
|                         |                 |  |          |
|                         |                 |  |          |
|                         |                 |  |          |
|                         |                 |  |          |
|                         |                 |  |          |
|                         |                 |  |          |
|                         |                 |  |          |
|                         |                 |  |          |
|                         |                 |  |          |
|                         |                 |  |          |

| ENG. NO: A-70287-1295   |                 |  |          |
|-------------------------|-----------------|--|----------|
| DIM. C                  |                 | 5.84/[.230]                                |          |
| DIM. E (REF.)           |                 | 2.97/[.117]                                |          |
| DIM. L (REF.)           |                 | 11.10/[.437]                               |          |
| MATING SIDE PLATING     |                 | 15 GOLD                                    |          |
| DIM. D (MEASURE PT.)    |                 | 2.54/[.100]                                |          |
| P.C. BOARD SIDE PLATING |                 | TIN  |          |
| DIM. F (MEASURE PT.)    |                 | 1.27/[.050]                                |          |
| RETENTIVE PIN LOCATION  |                 | ROW B - CKTS 3, 4<br>(SEE NOTE 6, SHEET 1) |          |
| PACKAGING               |                 | BULK - PK-70873-0353                       |          |
| VOID PIN LOCATION       |                 |  |          |
| CKTS                    | MATERIAL NUMBER | ROW  | LOCATION |
| 10                      | 70287-1295      | A  | 1        |
|                         |                 |  |          |
|                         |                 |  |          |
|                         |                 |  |          |
|                         |                 |  |          |
|                         |                 |  |          |
|                         |                 |  |          |
|                         |                 |  |          |
|                         |                 |  |          |
|                         |                 |  |          |
|                         |                 |  |          |
|                         |                 |  |          |
|                         |                 |  |          |
|                         |                 |  |          |

|   |  |               |  |                                  |  |                 |  |   |  |
|---|--|---------------|--|----------------------------------|--|-----------------|--|---|--|
| THIS DRAWING CONTAINS INFORMATION THAT IS PROPRIETARY TO MOLEX ELECTRONIC TECHNOLOGIES, LLC AND SHOULD NOT BE USED WITHOUT WRITTEN PERMISSION |  |               |  |                                  |  |                 |  |   |  |
| DIMENSION UNITS   |  | SCALE         |  | CURRENT REV DESC: MIGRATED TO NX |  |                 |  | <b>molex</b>                                    |  |
| MM/INCH   |  | 1:1           |  |                                  |  |                 |  |   |  |
| GENERAL TOLERANCES (UNLESS SPECIFIED)   |  |               |  | EC NO: 614461                    |  | 2019/03/13      |  | SALES ASSY-HIGH TEMP.                           |  |
| 4 PLACES  |  | ±             |  | DRWN: ABABU01                    |  | 2019/03/26      |  | DUAL ROW, .025" SQ PINS .100" GRID W/ RET. PINS |  |
| 3 PLACES  |  | ± 0.005       |  | CHK'D: NMANE02                   |  | 2019/03/26      |  |   |  |
| 2 PLACES  |  | ± 0.13 ± 0.01 |  | APPR: MRAMAKRISHNA               |  | 2019/03/26      |  | PRODUCT CUSTOMER DRAWING                        |  |
| 1 PLACE   |  | ± 0.25 ±      |  | INITIAL REVISION:                |  |                 |  | DOCUMENT NUMBER                                 |  |
| 0 PLACES  |  | ±             |  | DRWN: MKIPPER                    |  | 2009/11/02      |  | SD-70287-004                                    |  |
| ANGULAR TOL   |  | ± 0.5 °       |  | APPR: FSMITH                     |  | 2009/11/02      |  | DOC TYPE  |  |
| DRAFT WHERE APPLICABLE MUST REMAIN WITHIN DIMENSIONS  |  |               |  | THIRD ANGLE PROJECTION           |  | DRAWING         |  | DOC PART  |  |
|   |  |               |  | C-SIZE                           |  | SERIES          |  | REVISION  |  |
|   |  |               |  |                                  |  | 70287           |  | A1  |  |
|   |  |               |  |                                  |  | MATERIAL NUMBER |  | SHEET NUMBER                                    |  |
|   |  |               |  |                                  |  | SEE CHART       |  | 3 OF 3  |  |
|   |  |               |  |                                  |  | CUSTOMER        |  |   |  |
|   |  |               |  |                                  |  | GENERAL MARKET  |  |   |  |

## 多部分行业合规性文件

- IPC 1752A Class C
- IPC 1752A Class D
- Molex Product Compliance Declaration
- IEC-62474
- chemSHERPA (xml)

## 欧盟 RoHS 合格证书

---

### 产品详情

#### 常规

|      |  |
|------|--|
| 状态   | 活动   |
| 类别   | PCB Headers and Receptacles  |
| 系列   | 70287  |
| 说明   | 2.54mm Pitch C-Grid Header, Breakaway, Dual Row, Vertical, with Retention Pin, 20 Circuits, 6.10mm Mating Pin Length, 0.38µm Gold (Au) Selective Plating |
| 应用   | Board-to-Board, Signal, Wire-to-Board  |
| 元件类型 | PCB Header   |
| 产品系列 | C-Grid Connector Products  |
| 产品名称 | C-Grid   |
| UPC  | 822350865678   |

#### 机构

|     |         |
|-----|---------|
| CSA | LR19980 |
| UL  | E29179  |

#### 电气

|         |         |
|---------|---------|
| 每触点最大电流 | 3.0A    |
| 电压 - 最大 | 250V DC |

#### 物理

|           |    |
|-----------|----|
| 断开        | 是  |
| 回路数 (已载入) | 20 |
| 电路数 (最多)  | 20 |
| 颜色-树脂     | 黑色 |

|                  |                                |
|------------------|--------------------------------|
| 耐用性(插拔次数) - 最多次数 | 25                             |
| 先接后断             | 否                              |
| 阻燃性              | 94V-0                          |
| 符合灼热丝规范          | 否                              |
| 可配插产品指南          | 否                              |
| 插接极性             | 不适用                            |
| 锁定插接部位           | 无                              |
| 材料 - 金属          | Brass                          |
| 材料 - 接合部位电镀      | 金牌                             |
| 材料 - 终端电镀        | Tin                            |
| 材料 - 树脂          | High Temperature Thermoplastic |
| 净重               | 1.236/g                        |
| 行数               | 2                              |
| 方向               | 垂直                             |
| 包装形式             | Bag                            |
| PC 焊脚长度          | 3.18mm                         |
| PCB 定位器          | 否                              |
| PCB 保持力          | 无                              |
| 推荐的 PCB 厚度       | 1.57mm                         |
| 间距 - 插配接口        | 2.54mm                         |
| 间距 - 终端界面        | 2.54mm                         |
| 最薄镀层 - 接合部位      | 0.381 $\mu$ m                  |
| 最薄镀层 - 端接        | 2.032 $\mu$ m                  |
| 有极性的插配件          | 否                              |
| PCB 极性           | 否                              |
| 有护墙的             | 否                              |
| 可堆叠的             | 是                              |
| 运行温度范围           | -40° to +120° C                |
| 终端界面类型           | Through Hole                   |

## 进程

|        |      |
|--------|------|
| 最长持续时间 | 5    |
| 无铅     | WAVE |
| 最大周期   | 1    |
| 最高温度   | 260  |

---

## 可配插/可连接使用的产品

### 可配插部件

| 描述  | 产品编号         |
|---|--------------|
| C-Grid Right-Angle, Dual Row, Surface Mount PCB Receptacles           | <u>71979</u> |
| C-Grid Vertical, Dual Row, High Profile, Surface Mount PCB Connectors | <u>71395</u> |
| C-Grid Vertical, Dual Row, High Profile, Through Hole PCB Receptacles | <u>71850</u> |
| 2.54mm Pitch C-Grid Shunt Terminal Housings                           | <u>7859</u>  |