



产品编号 : 705450077

系列号 : 70545

Product Category : PCB Headers and Receptacles

Product Description : 2.54mm Pitch SL Header, Single Row 3.05mm Pocket Vertical, Shrouded, with Press-fit Plastic Peg, 8 Circuits, 0.76µm Gold (Au) Selective Plating, Tin (Sn) PC Tail Plating

状态 : Active

工程编号 : A-70545-0077

文件和资源

图纸

图纸 705450077_sd.pdf

包装设计图 PK-70873-0014-001.pdf

3D 模型和设计文件

3D模型 705450077_stp.zip

规格


产品规格 PS-70400-001.pdf

产品规格 PS-70541-001.pdf

测试摘要 TS-70541-100-001.pdf

产物环境合规

合规

| | |
|--------------------|---|
| GADSL/IMDS | Compliant with Exemption 44; 34; 33 |
| China RoHS |  |
| EU ELV | Not Relevant |
| Low-Halogen Status | Not Low-Halogen per IEC 61249-2-21 |
| REACH SVHC | Not Contained per D(2023)8585-DC (23 Jan 2024) |
| EU RoHS | Compliant per EU 2015/863 |

多部分产品合规性声明

- Eu RoHS
- REACH SVHC
- Low-Halogen

- IPC 1752A Class C
- IPC 1752A Class D
- Molex Product Compliance Declaration
- IEC-62474
- chemSHERPA (xml)

欧盟 RoHS 合格证书

产品详情

常规

| | |
|------|---|
| 状态 | 活动 |
| 类别 | PCB Headers and Receptacles |
| 系列 | 70545 |
| 说明 | 2.54mm Pitch SL Header, Single Row 3.05mm Pocket Vertical, Shrouded, with Press-fit Plastic Peg, 8 Circuits, 0.76µm Gold (Au) Selective Plating, Tin (Sn) PC Tail Plating |
| 应用 | Signal, Wire-to-Board |
| 元件类型 | PCB Header |
| 产品系列 | SL Modular Connectors |
| 产品名称 | SL |
| UPC | 800753597372 |

机构

| | |
|-----|---------|
| CSA | LR19980 |
| UL | E29179 |

电气

| | |
|---------|------|
| 每触点最大电流 | 3.0A |
| 电压 - 最大 | 250V |

物理

| | |
|-----------|----|
| 断开 | 否 |
| 回路数 (已载入) | 8 |
| 电路数 (最多) | 8 |
| 颜色-树脂 | 黑色 |

| | |
|------------------|--------------------------------|
| 耐用性(插拔次数) - 最多次数 | 50 |
| 阻燃性 | 94V-0 |
| 符合灼热丝规范 | 否 |
| 锁定插接部位 | 是 |
| 材料 - 金属 | Brass, Phosphor Bronze |
| 材料 - 接合部位电镀 | 金牌 |
| 材料 - 终端电镀 | Tin |
| 材料 - 树脂 | High Temperature Thermoplastic |
| 净重 | 1.540/g |
| 行数 | 1 |
| 方向 | 垂直 |
| 包装形式 | Tube |
| PC 焊脚长度 | 3.30mm |
| PCB 定位器 | 是 |
| PCB 保持力 | 是 |
| 推荐的 PCB 厚度 | 1.60mm |
| 间距 - 插配接口 | 2.54mm |
| 最薄镀层 - 接合部位 | 0.762µm |
| 最薄镀层 - 端接 | 1.905µm |
| 有极性的插配件 | 是 |
| 有护墙的 | Fully |
| 可堆叠的 | 否 |
| 运行温度范围 | -40° to +105° C |
| 终端界面类型 | Through Hole |

进程

| | |
|--------|------|
| 最长持续时间 | 3 |
| 无铅 | WAVE |
| 最大周期 | 3 |
| 最高温度 | 260 |

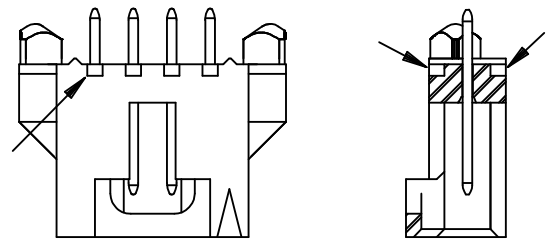
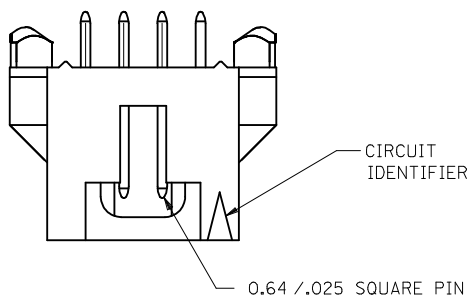
可配插/可连接使用的产品

可配插部件

| 描述 | 产品编号 |
|----|------|
|----|------|

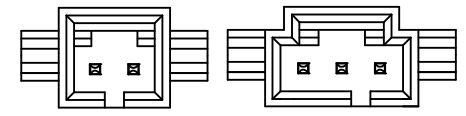
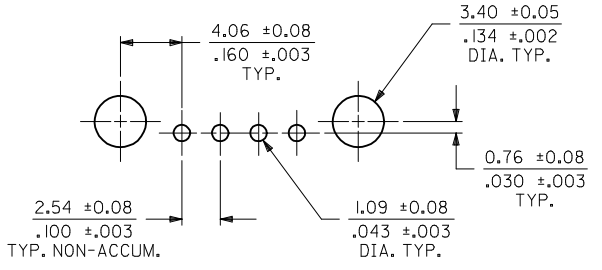
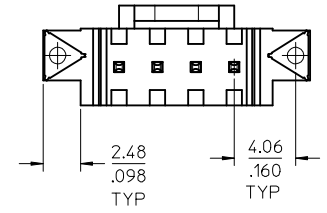
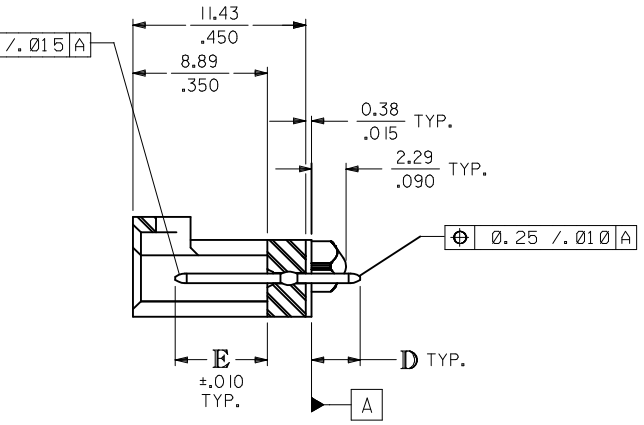
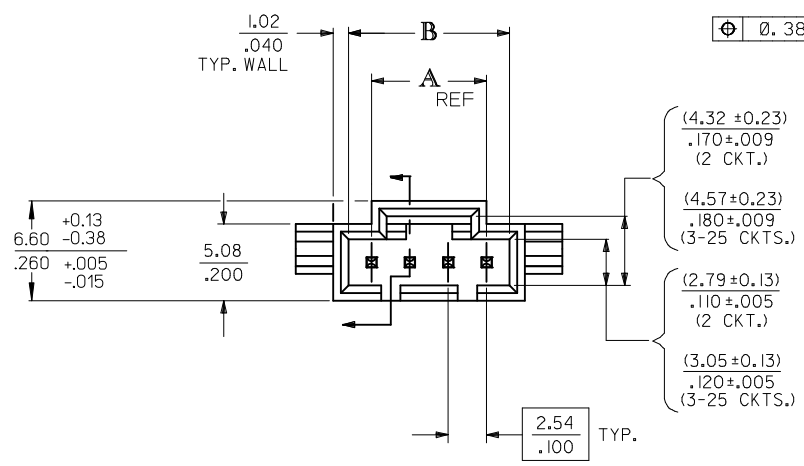
| | |
|--|--------------|
| SL Single Row Crimp Housings and CPA Retainers | <u>70066</u> |
| SL Single Row Female Insulation Displacement Connector Assemblies | <u>70400</u> |
| SL Single Row Female Receptacles | <u>70430</u> |

This document was generated on Jun 04, 2024



**ALTERNATIVE CORING
MANUFACTURER'S OPTION**

| CKT. SIZE | DIM. "A" | | DIM. "B" | |
|-----------|----------|-------|------------|------------|
| | MM | IN. | MM | IN. |
| 2 | 2.54 | .100 | 5.33±0.08 | .210±.003 |
| 3 | 5.08 | .200 | 8.13±0.10 | .320±.004 |
| 4 | 7.62 | .300 | 10.67±0.10 | .420±.004 |
| 5 | 10.16 | .400 | 13.21±0.10 | .520±.004 |
| 6 | 12.70 | .500 | 15.75±0.10 | .620±.004 |
| 7 | 15.24 | .600 | 18.29±0.10 | .720±.004 |
| 8 | 17.78 | .700 | 20.83±0.10 | .820±.004 |
| 9 | 20.32 | .800 | 23.37±0.10 | .920±.004 |
| 10 | 22.86 | .900 | 25.91±0.13 | 1.020±.005 |
| 11 | 25.40 | 1.000 | 28.45±0.13 | 1.120±.005 |
| 12 | 27.94 | 1.100 | 30.99±0.13 | 1.220±.005 |
| 13 | 30.48 | 1.200 | 33.53±0.13 | 1.320±.005 |
| 14 | 33.02 | 1.300 | 36.07±0.13 | 1.420±.005 |
| 15 | 35.56 | 1.400 | 38.61±0.15 | 1.520±.006 |
| 16 | 38.10 | 1.500 | 41.15±0.15 | 1.620±.006 |
| 17 | 40.64 | 1.600 | 43.69±0.15 | 1.720±.006 |
| 18 | 43.18 | 1.700 | 46.23±0.15 | 1.820±.006 |
| 19 | 45.72 | 1.800 | 48.77±0.18 | 1.920±.007 |
| 20 | 48.26 | 1.900 | 51.31±0.18 | 2.020±.007 |
| 21 | 50.80 | 2.000 | 53.85±0.18 | 2.120±.007 |
| 22 | 53.34 | 2.100 | 56.39±0.18 | 2.220±.007 |
| 23 | 55.88 | 2.200 | 58.93±0.18 | 2.320±.007 |
| 24 | 58.42 | 2.300 | 61.47±0.18 | 2.420±.007 |
| 25 | 60.96 | 2.400 | 64.01±0.20 | 2.520±.008 |



2 CIRCUIT 3 CIRCUIT

RECOMMENDED PC BOARD LAYOUT
(FOR USE WITH 1.57 / .062 THICK BOARD)

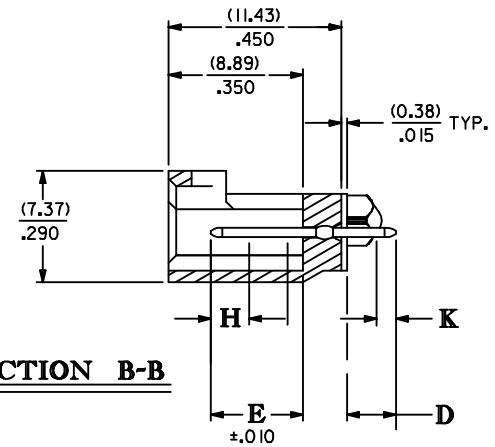
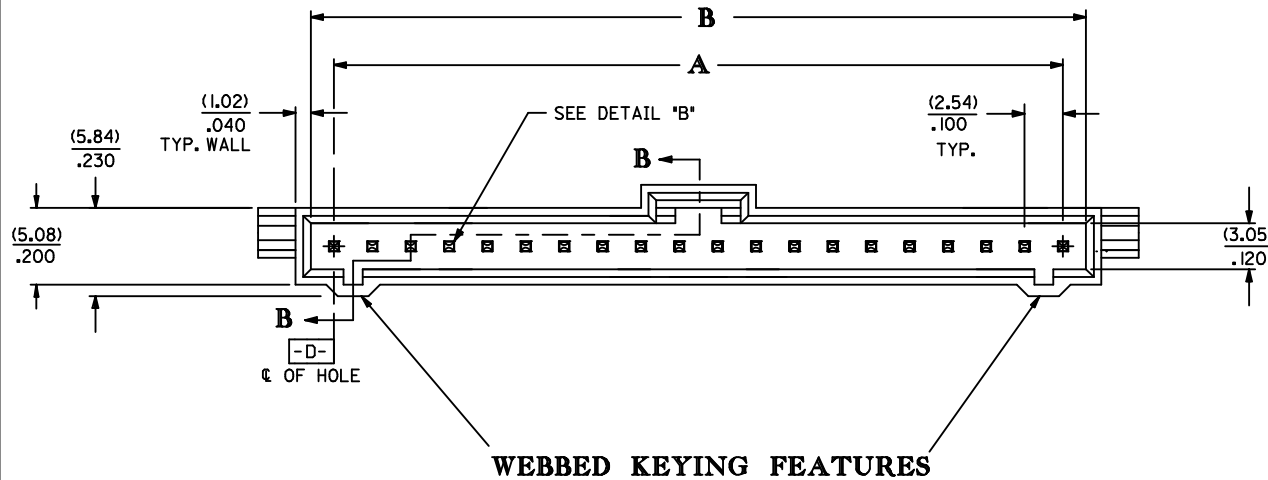
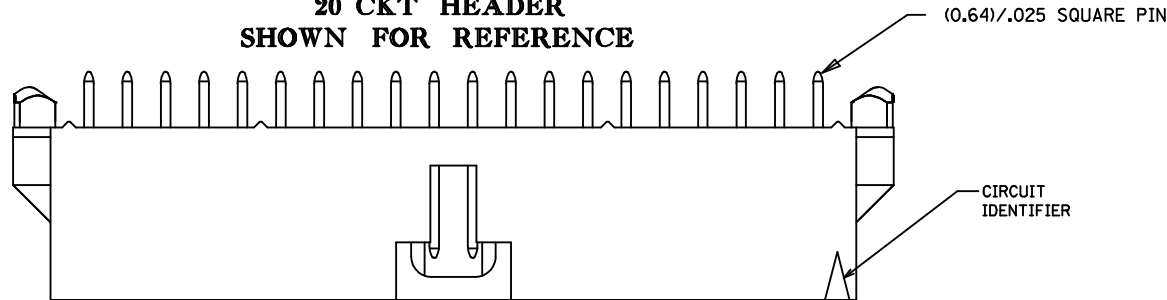
- NOTES:
1. HEADER MATERIAL: GLASS FILLED POLYESTER, UL94V-0; COLOR: BLACK
PIN MATERIAL: PHOSPHOR BRONZE
 2. FINISH:
TIN - 0.00381/.000150 MIN TIN PLATE
OVER 0.00127/.000050 MIN NICKEL PLATE
15 GOLD - 0.00038/.000015 MIN GOLD PLATE IN SELECT AREA,
0.00191/.000075 MIN TIN PLATE IN SELECT AREA,
OVER 0.00127/.000050 MIN NICKEL PLATE OVERALL.
30 GOLD - 0.00076/.000030 MIN GOLD PLATE IN SELECT AREA,
0.00191/.000075 MIN TIN PLATE IN SELECT AREA,
OVER 0.00127/.000050 MIN NICKEL PLATE OVERALL.
* THE PRIMARY SHIPPING CARTON WILL BE LABELED "COMPLIANT TO RoHS
DIRECTIVE 2002/95/EC AND ELV ANNEX II OF DIRECTIVE 2000/53/EC."
CARTONS WITHOUT THIS LABEL MAY CONTAIN PRODUCT WITH LEAD.
 3. PRODUCT SPECIFICATION: PS-70541
 4. PACKAGING SPECIFICATION: PK-70873-0014
 5. HEADER TO BE USED WITH OPTION "G" 70400 AND 70430 SERIES SL CONNECTORS.

| | | | | | | | |
|--|--------------------------------------|---|----------------------|-----------------------|--|---|------------------------|
| ADD .098 AND .160 EC NO: UCP2017-1091 DRWINKSMIEC 2016/11/11 CHKD: APPR:FSMITH 2016/12/29 REV | QUALITY SYMBOLS ▽=0 ▽=0 ▽=0 | GENERAL TOLERANCES (UNLESS SPECIFIED) | DIMENSION STYLE | | SCALE 4:1 | DESIGN UNITS INCH | THIRD ANGLE PROJECTION |
| | | | mm | INCH | | | |
| M | DESCRIPTION | DRAWN BY AAB DATE 05/12/93 CHECKED BY MJM DATE 05/12/93 APPROVED BY SMILLER DATE 2013/07/22 | MM/IN | | TITLE SALES ASSY, SL VERTICAL HEADER W/LATCH&TRI-PEGS (2.54)/.100 CENTERS molex | DOCUMENT NO. SDA-70545-**** | SHEET NO. 1 OF 4 |
| | | | 4 PLACES ± --- ± --- | 3 PLACES ± --- ± .005 | | | |
| ANGULAR ±1/2° | | DRAFT WHERE APPLICABLE MUST REMAIN WITHIN DIMENSIONS | | SEE TABLE | | THIS DRAWING CONTAINS INFORMATION THAT IS PROPRIETARY TO MOLEX INCORPORATED AND SHOULD NOT BE USED WITHOUT WRITTEN PERMISSION | |

OPTIONAL HOUSING

WEBBED KEYING FEATURES

20 CKT HEADER
SHOWN FOR REFERENCE



SECTION B-B

| | | | | | | |
|---|--|--|--|---------------------------|--------------------------------|------------------------|
| SEE SHEET 1 EC NO: UCP2017-1091 DRW:KSM/IEC 2016/11/11 CHKD: APPR:FSM/TH 2016/12/29 M | QUALITY SYMBOLS ∇=0 ∇=0 ∇=0 | GENERAL TOLERANCES (UNLESS SPECIFIED) 4 PLACES ± --- ± --- 3 PLACES ± --- ± .005 2 PLACES ± 0.13 ± .01 1 PLACE ± 0.25 ± --- 0 PLACE ± --- ± --- | DIMENSION STYLE MM/IN | SCALE INCH | DESIGN UNITS INCH | THIRD ANGLE PROJECTION |
| | DRAWN BY AAB | DATE 05/12/93 | TITLE SALES ASSY, SL VERTICAL HEADER W/LATCH&TRI-PEGS (2.54)/.100 CENTERS | molex | | |
| | CHECKED BY MJM | DATE 05/12/93 | APPROVED BY SMILLER | | | |
| | DRAFT WHERE APPLICABLE MUST REMAIN WITHIN DIMENSIONS | | ANGULAR ±1/2° | MATERIAL NO. SEE TABLE | DOCUMENT NO. SDA-70545-**** | SHEET NO. 2 OF 4 |

| CIRCUIT SIZE | ASSEMBLY ITEM NUMBER 70545 | | D (± 0.38) ± .015 | E (± 0.25) ± .010 | MATING AREA FINISH | PC TAIL AREA FINISH |
|--------------|-------------------------------|--|--------------------------------|--------------------------------|--------------------|---------------------|
| 2-10 | -0001-0009 | | (3.30) .130 | (6.10) .240 | TIN | TIN |
| 11-25 | -0010-0024 | | (3.30) .130 | (6.10) .240 | TIN | TIN |
| 2-10 | -0036-0044 | | (3.30) .130 | (6.10) .240 | 15 GOLD | TIN |
| 11-25 | -0045-0059 | | (3.30) .130 | (6.10) .240 | 15 GOLD | TIN |
| 2-10 | -0071-0079 | | (3.30) .130 | (6.10) .240 | 30 GOLD | TIN |
| 11-25 | -0080-0094 | | (3.30) .130 | (6.10) .240 | 30 GOLD | TIN |
| 2-10 | -0141-0149 | | (5.21) .205 | (6.10) .240 | 15 GOLD | TIN |
| 11-25 | -0150-0164 | | (5.21) .205 | (6.10) .240 | 15 GOLD | TIN |
| 2-10 | -0176-0184 | | (5.21) .205 | (6.10) .240 | 30 GOLD | TIN |
| 11-25 | -0185-0199 | | (5.21) .205 | (6.10) .240 | 30 GOLD | TIN |

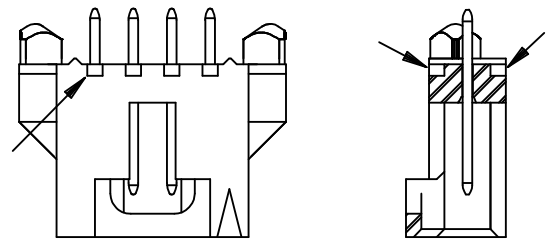
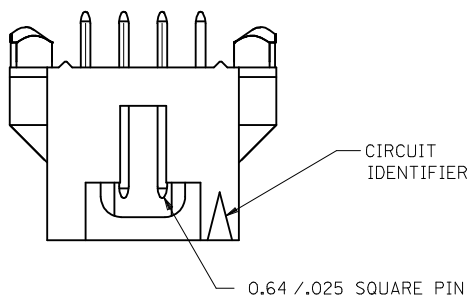
| CIRCUIT SIZE | ASSEMBLY ITEM NUMBER | ASSEMBLY ITEM NUMBER | ASSEMBLY ITEM NUMBER | ASSEMBLY ITEM NUMBER | ASSEMBLY ITEM NUMBER |
|--------------|----------------------|----------------------|----------------------|----------------------|----------------------|
| 2 | 70545-0001 | 70545-0036 | 70545-0071 | 70545-0141 | 70545-0176 |
| 3 | 70545-0002 | 70545-0037 | 70545-0072 | 70545-0142 | 70545-0177 |
| 4 | 70545-0003 | 70545-0038 | 70545-0073 | 70545-0143 | 70545-0178 |
| 5 | 70545-0004 | 70545-0039 | 70545-0074 | 70545-0144 | 70545-0179 |
| 6 | 70545-0005 | 70545-0040 | 70545-0075 | 70545-0145 | 70545-0180 |
| 7 | 70545-0006 | 70545-0041 | 70545-0076 | 70545-0146 | 70545-0181 |
| 8 | 70545-0007 | 70545-0042 | 70545-0077 | 70545-0147 | 70545-0182 |
| 9 | 70545-0008 | 70545-0043 | 70545-0078 | 70545-0148 | 70545-0183 |
| 10 | 70545-0009 | 70545-0044 | 70545-0079 | 70545-0149 | 70545-0184 |
| 11 | 70545-0010 | 70545-0045 | 70545-0080 | | |
| 12 | 70545-0011 | 70545-0046 | 70545-0081 | | |
| 13 | 70545-0012 | 70545-0047 | 70545-0082 | | |
| 14 | 70545-0013 | 70545-0048 | 70545-0083 | | |
| 15 | 70545-0014 | 70545-0049 | 70545-0084 | | |
| 16 | 70545-0015 | 70545-0050 | 70545-0085 | | |
| 17 | 70545-0016 | 70545-0051 | 70545-0086 | | |
| 18 | 70545-0017 | 70545-0052 | 70545-0087 | | |
| 19 | 70545-0018 | 70545-0053 | 70545-0088 | | |
| 20 | 70545-0019 | 70545-0054 | 70545-0089 | | |
| 21 | 70545-0020 | 70545-0055 | 70545-0090 | | |
| 22 | 70545-0021 | 70545-0056 | 70545-0091 | | |
| 23 | 70545-0022 | 70545-0057 | 70545-0092 | | |
| 24 | 70545-0023 | 70545-0058 | 70545-0093 | | |
| 25 | 70545-0024 | 70545-0059 | 70545-0094 | | |

| SEE SHEET 1 EC NO: UCP2017-1091 DRWNG:SMIEC 2016/11/11 CHKD: APPR:FSMITH 2016/12/29 REV: | QUALITY SYMBOLS ▽=0 ▽=0 ▽=0 | GENERAL TOLERANCES (UNLESS SPECIFIED) <table border="1"> <tr><th colspan="2">mm</th><th colspan="2">INCH</th></tr> <tr><td>4 PLACES</td><td>± .---</td><td>± .---</td><td></td></tr> <tr><td>3 PLACES</td><td>± .---</td><td>± .005</td><td></td></tr> <tr><td>2 PLACES</td><td>± 0.13</td><td>± .01</td><td></td></tr> <tr><td>1 PLACE</td><td>± 0.25</td><td>± .---</td><td></td></tr> <tr><td>0 PLACE</td><td>± .---</td><td>± .---</td><td></td></tr> </table> | mm | | INCH | | 4 PLACES | ± .--- | ± .--- | | 3 PLACES | ± .--- | ± .005 | | 2 PLACES | ± 0.13 | ± .01 | | 1 PLACE | ± 0.25 | ± .--- | | 0 PLACE | ± .--- | ± .--- | | DIMENSION STYLE MM/IN DRAWN BY: AAB DATE: 05/12/93 CHECKED BY: MJM DATE: 05/12/93 APPROVED BY: SMILLER DATE: 2013/07/22 | SCALE: INCH DESIGN UNITS: INCH THIRD ANGLE PROJECTION | TITLE SALES ASSY, SL VERTICAL HEADER W/LATCH&TRI-PEGS (2.54)/.100 CENTERS molex DOCUMENT NO. SDA-70545-**** SHEET NO. 3 OF 4 |
|---|--------------------------------------|---|--------|--|------|--|----------|--------|--------|--|----------|--------|--------|--|----------|--------|-------|--|---------|--------|--------|--|---------|--------|--------|--|--|---|--|
| | mm | | INCH | | | | | | | | | | | | | | | | | | | | | | | | | | |
| | 4 PLACES | ± .--- | ± .--- | | | | | | | | | | | | | | | | | | | | | | | | | | |
| | 3 PLACES | ± .--- | ± .005 | | | | | | | | | | | | | | | | | | | | | | | | | | |
| 2 PLACES | ± 0.13 | ± .01 | | | | | | | | | | | | | | | | | | | | | | | | | | | |
| 1 PLACE | ± 0.25 | ± .--- | | | | | | | | | | | | | | | | | | | | | | | | | | | |
| 0 PLACE | ± .--- | ± .--- | | | | | | | | | | | | | | | | | | | | | | | | | | | |
| DRAFT WHERE APPLICABLE MUST REMAIN WITHIN DIMENSIONS | | MATERIAL NO. SEE TABLE | | | | | | | | | | | | | | | | | | | | | | | | | | | |
| THIS DRAWING CONTAINS INFORMATION THAT IS PROPRIETARY TO MOLEX INCORPORATED AND SHOULD NOT BE USED WITHOUT WRITTEN PERMISSION | | | | | | | | | | | | | | | | | | | | | | | | | | | | | |
| | | | | | | | | | | | | | | | | | | | | | | | | | | | | | |

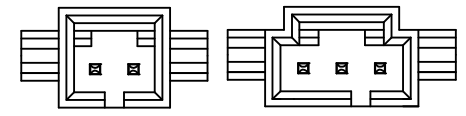
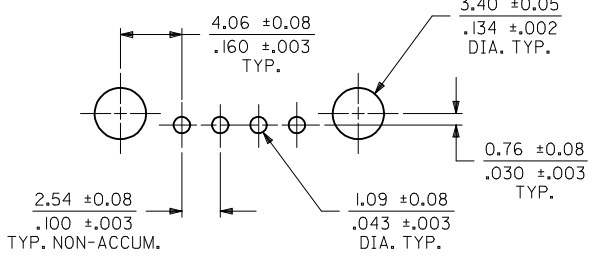
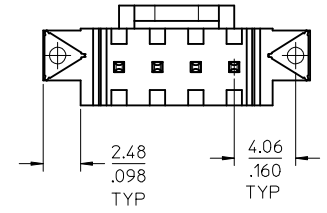
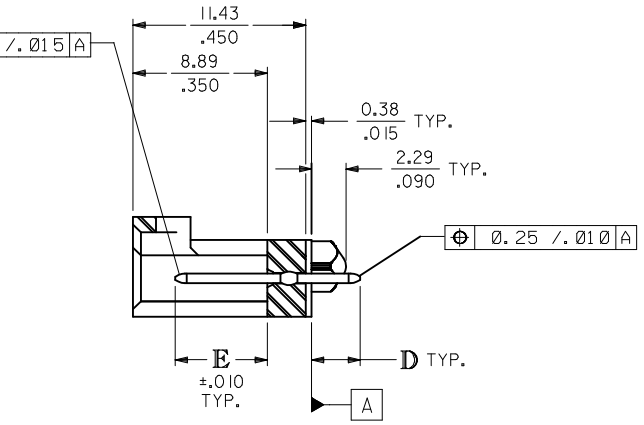
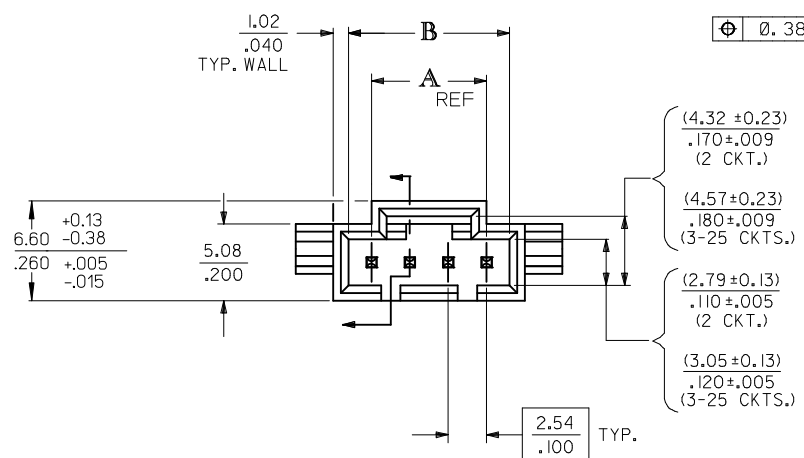
| CIRCUIT SIZE | ASSEMBLY ITEM NUMBER 70545 | | D REF. | E ± .010 | MATING AREA FINISH | PC TAIL AREA FINISH |
|--------------|----------------------------|-----------------|----------------|----------------|--------------------|---------------------|
| 2-19 | -3001-3018 | WEBBED ASSEMBLY | (3.30) .130 | (6.10) .240 | 30 GOLD | TIN |
| 20-25 | -3019-3024 | WEBBED ASSEMBLY | (3.30) .130 | (6.10) .240 | 30 GOLD | TIN |
| 2-19 | -3051-3068 | WEBBED ASSEMBLY | (3.30) .130 | (6.10) .240 | 15 GOLD | TIN |
| 20-25 | -3069-3074 | WEBBED ASSEMBLY | (3.30) .130 | (6.10) .240 | 15 GOLD | TIN |
| 2-19 | -3101-3118 | WEBBED ASSEMBLY | (3.30) .130 | (6.10) .240 | TIN | TIN |
| 20-25 | -3119-3124 | WEBBED ASSEMBLY | (3.30) .130 | (6.10) .240 | TIN | TIN |
| | | | | | | |
| | | | | | | |

| CIRCUIT SIZE | WEBBED ASSEMBLY ITEM NUMBER | WEBBED ASSEMBLY ITEM NUMBER | WEBBED ASSEMBLY ITEM NUMBER |
|--------------|-----------------------------|-----------------------------|-----------------------------|
| 2 | | | |
| 3 | | | |
| 4 | | | |
| 5 | | | |
| 6 | | | |
| 7 | | | |
| 8 | | | |
| 9 | | | |
| 10 | | | |
| 11 | | | |
| 12 | | | |
| 13 | | | |
| 14 | | | |
| 15 | | | |
| 16 | | | |
| 17 | | | |
| 18 | | | |
| 19 | | | |
| 20 | 70545-3019 | 70545-3069 | 70545-3119 |
| 21 | 70545-3020 | 70545-3070 | 70545-3120 |
| 22 | 70545-3021 | 70545-3071 | 70545-3121 |
| 23 | 70545-3022 | 70545-3072 | 70545-3122 |
| 24 | 70545-3023 | 70545-3073 | 70545-3123 |
| 25 | 70545-3024 | 70545-3074 | 70545-3124 |

| | | | | | | | | | | |
|---|---|---------------------------------------|---------------|--------------------------|---|------------------------|----------------------|--|--|--|
| SEE SHEET 1 EC NO: UCP2017-1091 DRINKSMIEC 2016/11/11 CHKD: APPR:FSM/TH 2016/12/29 M | DESCRIPTION QUALITY SYMBOLS ▽=0 ▽=0 ▽=0 | GENERAL TOLERANCES (UNLESS SPECIFIED) | | DIMENSION STYLE MM/IN | | SCALE | DESIGN UNITS INCH | THIRD ANGLE PROJECTION | | |
| | | | | mm | INCH | DRAWN BY AAB | DATE 05/12/93 | TITLE SALES ASSY, SL VERTICAL HEADER W/LATCH&TRI-PEGS (2.54)/.100 CENTERS | | |
| | | | | 4 PLACES ± --- ± --- | 3 PLACES ± --- ± .005 | CHECKED BY MJM | DATE 05/12/93 | | | |
| | | | | 2 PLACES ± 0.13 ± .01 | 1 PLACE ± 0.25 ± --- | APPROVED BY SMILLER | DATE 2013/07/22 | mox DOCUMENT NO. SDA-70545-**** SHEET NO. 4 OF 4 | | |
| | | 0 PLACE ± --- ± --- | ANGULAR ±1/2° | | DRAFT WHERE APPLICABLE MUST REMAIN WITHIN DIMENSIONS | | | | | |
| | | | | SIZE C | THIS DRAWING CONTAINS INFORMATION THAT IS PROPRIETARY TO MOLEX INCORPORATED AND SHOULD NOT BE USED WITHOUT WRITTEN PERMISSION | | | | | |



| CKT. SIZE | DIM. "A" | | DIM. "B" | |
|-----------|----------|-------|------------|------------|
| | MM | IN. | MM | IN. |
| 2 | 2.54 | .100 | 5.33±0.08 | .210±.003 |
| 3 | 5.08 | .200 | 8.13±0.10 | .320±.004 |
| 4 | 7.62 | .300 | 10.67±0.10 | .420±.004 |
| 5 | 10.16 | .400 | 13.21±0.10 | .520±.004 |
| 6 | 12.70 | .500 | 15.75±0.10 | .620±.004 |
| 7 | 15.24 | .600 | 18.29±0.10 | .720±.004 |
| 8 | 17.78 | .700 | 20.83±0.10 | .820±.004 |
| 9 | 20.32 | .800 | 23.37±0.10 | .920±.004 |
| 10 | 22.86 | .900 | 25.91±0.13 | 1.020±.005 |
| 11 | 25.40 | 1.000 | 28.45±0.13 | 1.120±.005 |
| 12 | 27.94 | 1.100 | 30.99±0.13 | 1.220±.005 |
| 13 | 30.48 | 1.200 | 33.53±0.13 | 1.320±.005 |
| 14 | 33.02 | 1.300 | 36.07±0.13 | 1.420±.005 |
| 15 | 35.56 | 1.400 | 38.61±0.15 | 1.520±.006 |
| 16 | 38.10 | 1.500 | 41.15±0.15 | 1.620±.006 |
| 17 | 40.64 | 1.600 | 43.69±0.15 | 1.720±.006 |
| 18 | 43.18 | 1.700 | 46.23±0.15 | 1.820±.006 |
| 19 | 45.72 | 1.800 | 48.77±0.18 | 1.920±.007 |
| 20 | 48.26 | 1.900 | 51.31±0.18 | 2.020±.007 |
| 21 | 50.80 | 2.000 | 53.85±0.18 | 2.120±.007 |
| 22 | 53.34 | 2.100 | 56.39±0.18 | 2.220±.007 |
| 23 | 55.88 | 2.200 | 58.93±0.18 | 2.320±.007 |
| 24 | 58.42 | 2.300 | 61.47±0.18 | 2.420±.007 |
| 25 | 60.96 | 2.400 | 64.01±0.20 | 2.520±.008 |



RECOMMENDED PC BOARD LAYOUT
(FOR USE WITH 1.57 / .062 THICK BOARD)

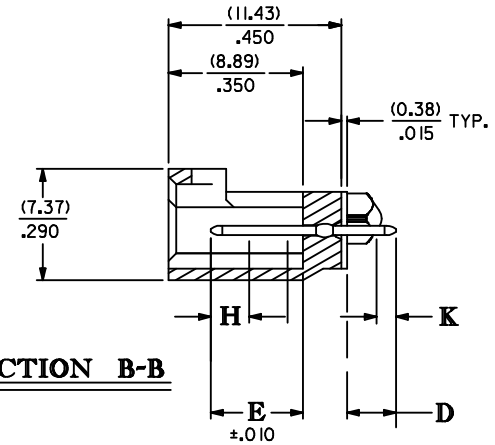
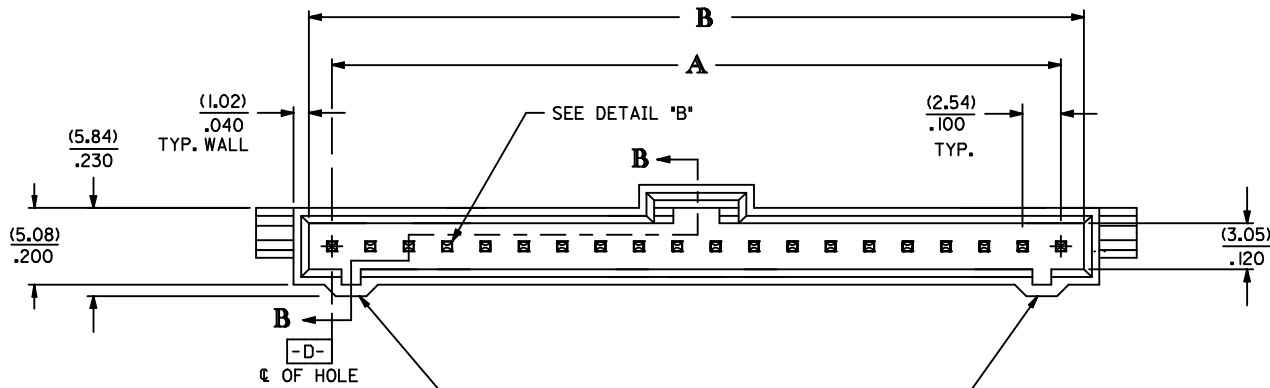
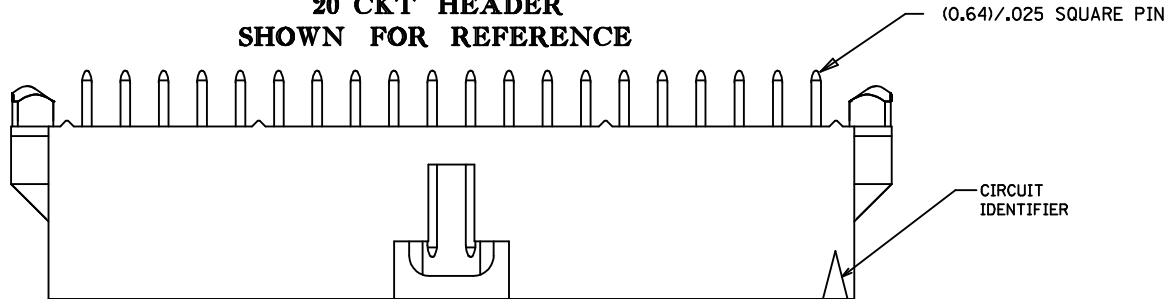
- NOTES:
- HEADER MATERIAL: GLASS FILLED POLYESTER, UL94V-0; COLOR: BLACK
PIN MATERIAL: PHOSPHOR BRONZE
 - FINISH:
TIN - 0.00381/.000150 MIN TIN PLATE
OVER 0.00127/.000050 MIN NICKEL PLATE
15 GOLD - 0.00038/.000015 MIN GOLD PLATE IN SELECT AREA,
0.00191/.000075 MIN TIN PLATE IN SELECT AREA,
OVER 0.00127/.000050 MIN NICKEL PLATE OVERALL.
30 GOLD - 0.00076/.000030 MIN GOLD PLATE IN SELECT AREA,
0.00191/.000075 MIN TIN PLATE IN SELECT AREA,
OVER 0.00127/.000050 MIN NICKEL PLATE OVERALL.
* THE PRIMARY SHIPPING CARTON WILL BE LABELED "COMPLIANT TO RoHS
DIRECTIVE 2002/95/EC AND ELV ANNEX II OF DIRECTIVE 2000/53/EC."
CARTONS WITHOUT THIS LABEL MAY CONTAIN PRODUCT WITH LEAD.
 - PRODUCT SPECIFICATION: PS-70541
 - PACKAGING SPECIFICATION: PK-70873-0014
 - HEADER TO BE USED WITH OPTION "G" 70400 AND 70430 SERIES SL CONNECTORS.

| | | | | | | | |
|---|--------------------------------------|---------------------------------------|-----------------|------------|--------------|--|------------------------|
| ADD .098 AND .160 EC NO: UCP2017-1091 DRWINKSMIEC 2016/11/11 CHKD: APPR:FSMITH 2016/12/29 | QUALITY SYMBOLS ▽=0 ▽=0 ▽=0 | GENERAL TOLERANCES (UNLESS SPECIFIED) | DIMENSION STYLE | | SCALE | DESIGN UNITS | THIRD ANGLE PROJECTION |
| | | | mm | INCH | | | |
| M | DESCRIPTION | DRAWN BY | DATE | | TITLE | DOCUMENT NO. | SHEET NO. |
| | | | AAB | 05/12/93 | | | |
| M | DESCRIPTION | CHECKED BY | DATE | | MATERIAL NO. | SALES ASSY, SL VERTICAL HEADER W/LATCH&TRI-PEGS (2.54)/.100 CENTERS | 1 OF 4 |
| | | | MJM | 05/12/93 | | | |
| M | DESCRIPTION | APPROVED BY | DATE | | SIZE | THIS DRAWING CONTAINS INFORMATION THAT IS PROPRIETARY TO MOLEX INCORPORATED AND SHOULD NOT BE USED WITHOUT WRITTEN PERMISSION | 1 OF 4 |
| | | | SMILLER | 2013/07/22 | | | |
| DRAFT WHERE APPLICABLE MUST REMAIN WITHIN DIMENSIONS | | SEE TABLE | | | | | |

OPTIONAL HOUSING

WEBBED KEYING FEATURES

20 CKT HEADER
SHOWN FOR REFERENCE



WEBBED KEYING FEATURES

SECTION B-B

| | | | | | | |
|---|-----------------|--|--------------------|---|--------------|------------------------|
| SEE SHEET 1 EC NO: UCP2017-1091 DRW:KSM/IEC 2016/11/11 CHKD: APPR:FSM/TH 2016/12/29 M | QUALITY SYMBOLS | GENERAL TOLERANCES (UNLESS SPECIFIED) | DIMENSION STYLE | SCALE | DESIGN UNITS | THIRD ANGLE PROJECTION |
| | ▽=0 | mm INCH | MM/IN | INCH | INCH | ☉ |
| | ▽=0 | 4 PLACES ± --- ± --- | DRAWN BY DATE | TITLE | | |
| | ▽=0 | 3 PLACES ± --- ±.005 | AAB 05/12/93 | SALES ASSY, SL VERTICAL HEADER W/LATCH&TRI-PEGS (2.54) / .100 CENTERS | | |
| | | 2 PLACES ± 0.13 ±.01 | CHECKED BY DATE | | | |
| | | 1 PLACE ± 0.25 ± --- | MJM 05/12/93 | | | |
| | | 0 PLACE ± --- ± --- | APPROVED BY DATE | | | |
| | | ANGULAR ±1/2° | SMILLER 2013/07/22 | | | |
| | | DRAFT WHERE APPLICABLE MUST REMAIN WITHIN DIMENSIONS | MATERIAL NO. | DOCUMENT NO. | | SHEET NO. |
| | | | SEE TABLE | SDA-70545-**** | | 2 OF 4 |
| | | | SIZE C | THIS DRAWING CONTAINS INFORMATION THAT IS PROPRIETARY TO MOLEX INCORPORATED AND SHOULD NOT BE USED WITHOUT WRITTEN PERMISSION | | |

| CIRCUIT SIZE | ASSEMBLY ITEM NUMBER 70545 | | D (± 0.38) ± .015 | E (± 0.25) ± .010 | MATING AREA FINISH | PC TAIL AREA FINISH |
|--------------|-------------------------------|--|--------------------------------|--------------------------------|--------------------|---------------------|
| 2-10 | -0001-0009 | | (3.30) .130 | (6.10) .240 | TIN | TIN |
| 11-25 | -0010-0024 | | (3.30) .130 | (6.10) .240 | TIN | TIN |
| 2-10 | -0036-0044 | | (3.30) .130 | (6.10) .240 | 15 GOLD | TIN |
| 11-25 | -0045-0059 | | (3.30) .130 | (6.10) .240 | 15 GOLD | TIN |
| 2-10 | -0071-0079 | | (3.30) .130 | (6.10) .240 | 30 GOLD | TIN |
| 11-25 | -0080-0094 | | (3.30) .130 | (6.10) .240 | 30 GOLD | TIN |
| 2-10 | -0141-0149 | | (5.21) .205 | (6.10) .240 | 15 GOLD | TIN |
| 11-25 | -0150-0164 | | (5.21) .205 | (6.10) .240 | 15 GOLD | TIN |
| 2-10 | -0176-0184 | | (5.21) .205 | (6.10) .240 | 30 GOLD | TIN |
| 11-25 | -0185-0199 | | (5.21) .205 | (6.10) .240 | 30 GOLD | TIN |

| CIRCUIT SIZE | ASSEMBLY ITEM NUMBER | ASSEMBLY ITEM NUMBER | ASSEMBLY ITEM NUMBER | ASSEMBLY ITEM NUMBER | ASSEMBLY ITEM NUMBER |
|--------------|----------------------|----------------------|----------------------|----------------------|----------------------|
| 2 | 70545-0001 | 70545-0036 | 70545-0071 | 70545-0141 | 70545-0176 |
| 3 | 70545-0002 | 70545-0037 | 70545-0072 | 70545-0142 | 70545-0177 |
| 4 | 70545-0003 | 70545-0038 | 70545-0073 | 70545-0143 | 70545-0178 |
| 5 | 70545-0004 | 70545-0039 | 70545-0074 | 70545-0144 | 70545-0179 |
| 6 | 70545-0005 | 70545-0040 | 70545-0075 | 70545-0145 | 70545-0180 |
| 7 | 70545-0006 | 70545-0041 | 70545-0076 | 70545-0146 | 70545-0181 |
| 8 | 70545-0007 | 70545-0042 | 70545-0077 | 70545-0147 | 70545-0182 |
| 9 | 70545-0008 | 70545-0043 | 70545-0078 | 70545-0148 | 70545-0183 |
| 10 | 70545-0009 | 70545-0044 | 70545-0079 | 70545-0149 | 70545-0184 |
| 11 | 70545-0010 | 70545-0045 | 70545-0080 | | |
| 12 | 70545-0011 | 70545-0046 | 70545-0081 | | |
| 13 | 70545-0012 | 70545-0047 | 70545-0082 | | |
| 14 | 70545-0013 | 70545-0048 | 70545-0083 | | |
| 15 | 70545-0014 | 70545-0049 | 70545-0084 | | |
| 16 | 70545-0015 | 70545-0050 | 70545-0085 | | |
| 17 | 70545-0016 | 70545-0051 | 70545-0086 | | |
| 18 | 70545-0017 | 70545-0052 | 70545-0087 | | |
| 19 | 70545-0018 | 70545-0053 | 70545-0088 | | |
| 20 | 70545-0019 | 70545-0054 | 70545-0089 | | |
| 21 | 70545-0020 | 70545-0055 | 70545-0090 | | |
| 22 | 70545-0021 | 70545-0056 | 70545-0091 | | |
| 23 | 70545-0022 | 70545-0057 | 70545-0092 | | |
| 24 | 70545-0023 | 70545-0058 | 70545-0093 | | |
| 25 | 70545-0024 | 70545-0059 | 70545-0094 | | |

| | | | | | | |
|--|----------------------|--|--------------------------|------------------------|----------------------|--|
| SEE SHEET 1 EC NO: UCP2017-1091 DRWNG:SMIEC 2016/11/11 CHKD: APPR:FSMITH 2016/12/29 DESCRIPTION REV | QUALITY SYMBOLS | GENERAL TOLERANCES (UNLESS SPECIFIED) | DIMENSION STYLE MM/IN | SCALE | DESIGN UNITS INCH | THIRD ANGLE PROJECTION |
| | ▽=0 | 4 PLACES ± --- ± --- | mm INCH | DRAWN BY AAB | DATE 05/12/93 | SALES ASSY, SL VERTICAL HEADER W/LATCH&TRI-PEGS (2.54)/.100 CENTERS molex DOCUMENT NO. SDA-70545-**** SHEET NO. 3 OF 4 |
| | ▽=0 | 3 PLACES ± --- ± .005 | | CHECKED BY MJM | DATE 05/12/93 | |
| | ▽=0 | 2 PLACES ± 0.13 ± .01 | | APPROVED BY SMILLER | DATE 2013/07/22 | |
| | 1 PLACE ± 0.25 ± --- | | MATERIAL NO. | | | |
| | | 0 PLACE ± --- ± --- | | | | |
| | | ANGULAR ±1/2° | | | | |
| | | DRAFT WHERE APPLICABLE MUST REMAIN WITHIN DIMENSIONS | SIZE C | SEE TABLE | | |

| CIRCUIT SIZE | ASSEMBLY ITEM NUMBER 70545 | | D REF. | E ± .010 | MATING AREA FINISH | PC TAIL AREA FINISH |
|--------------|----------------------------|-----------------|----------------|----------------|--------------------|---------------------|
| 2-19 | -3001-3018 | WEBBED ASSEMBLY | (3.30) .130 | (6.10) .240 | 30 GOLD | TIN |
| 20-25 | -3019-3024 | WEBBED ASSEMBLY | (3.30) .130 | (6.10) .240 | 30 GOLD | TIN |
| 2-19 | -3051-3068 | WEBBED ASSEMBLY | (3.30) .130 | (6.10) .240 | 15 GOLD | TIN |
| 20-25 | -3069-3074 | WEBBED ASSEMBLY | (3.30) .130 | (6.10) .240 | 15 GOLD | TIN |
| 2-19 | -3101-3118 | WEBBED ASSEMBLY | (3.30) .130 | (6.10) .240 | TIN | TIN |
| 20-25 | -3119-3124 | WEBBED ASSEMBLY | (3.30) .130 | (6.10) .240 | TIN | TIN |
| | | | | | | |
| | | | | | | |

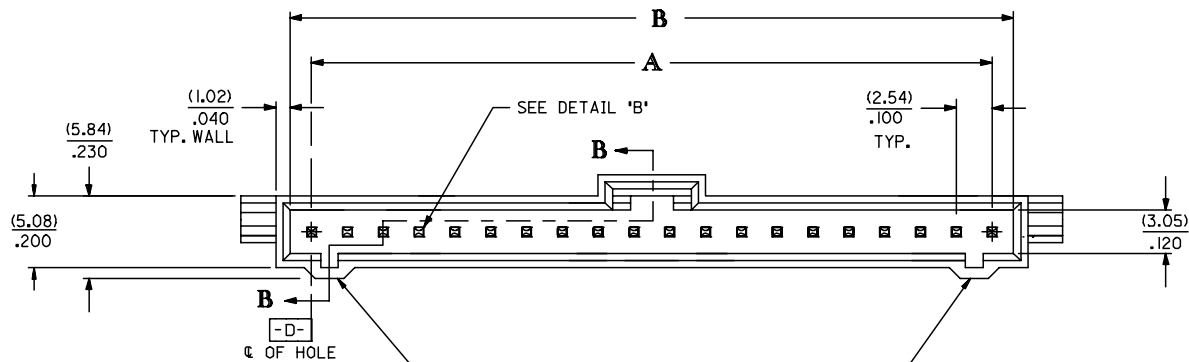
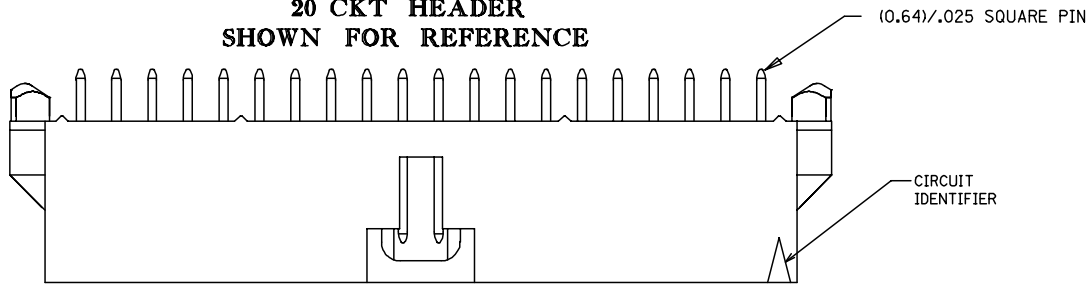
| CIRCUIT SIZE | WEBBED ASSEMBLY ITEM NUMBER | WEBBED ASSEMBLY ITEM NUMBER | WEBBED ASSEMBLY ITEM NUMBER |
|--------------|-----------------------------|-----------------------------|-----------------------------|
| 2 | | | |
| 3 | | | |
| 4 | | | |
| 5 | | | |
| 6 | | | |
| 7 | | | |
| 8 | | | |
| 9 | | | |
| 10 | | | |
| 11 | | | |
| 12 | | | |
| 13 | | | |
| 14 | | | |
| 15 | | | |
| 16 | | | |
| 17 | | | |
| 18 | | | |
| 19 | | | |
| 20 | 70545-3019 | 70545-3069 | 70545-3119 |
| 21 | 70545-3020 | 70545-3070 | 70545-3120 |
| 22 | 70545-3021 | 70545-3071 | 70545-3121 |
| 23 | 70545-3022 | 70545-3072 | 70545-3122 |
| 24 | 70545-3023 | 70545-3073 | 70545-3123 |
| 25 | 70545-3024 | 70545-3074 | 70545-3124 |

| | | | | | | | | | | |
|---|---|---------------------------------------|---------------|--------------------------|-----------------------|---|----------------------|--|--|--|
| SEE SHEET 1 EC NO: UCP2017-1091 DRINKSMIEC 2016/11/11 CHKD: APPR:FSM/TH 2016/12/29 M | DESCRIPTION QUALITY SYMBOLS □=0 □=0 □=0 | GENERAL TOLERANCES (UNLESS SPECIFIED) | | DIMENSION STYLE MM/IN | | SCALE | DESIGN UNITS INCH | THIRD ANGLE PROJECTION | | |
| | | | | mm | INCH | DRAWN BY AAB | DATE 05/12/93 | TITLE SALES ASSY, SL VERTICAL HEADER W/LATCH&TRI-PEGS (2.54)/.100 CENTERS | | |
| | | | | 4 PLACES ± --- ± --- | 3 PLACES ± --- ± .005 | CHECKED BY MJM | DATE 05/12/93 | | | |
| | | | | 2 PLACES ± 0.13 ± .01 | 1 PLACE ± 0.25 ± --- | APPROVED BY SMILLER | DATE 2013/07/22 | mox DOCUMENT NO. SDA-70545-**** SHEET NO. 4 OF 4 | | |
| | | 0 PLACE ± --- ± --- | ANGULAR ±1/2° | SEE TABLE | | | | | | |
| DRAFT WHERE APPLICABLE MUST REMAIN WITHIN DIMENSIONS | | | | MATERIAL NO. | | THIS DRAWING CONTAINS INFORMATION THAT IS PROPRIETARY TO MOLEX INCORPORATED AND SHOULD NOT BE USED WITHOUT WRITTEN PERMISSION | | | | |

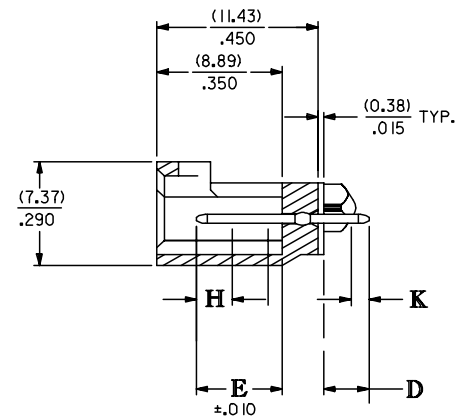
OPTIONAL HOUSING

WEBBED KEYING FEATURES

20 CKT HEADER
SHOWN FOR REFERENCE



WEBBED KEYING FEATURES



SECTION B-B

| UPDATE TITLE BLOCK EC NO: UCP2006-0202 DRAWN: JLOWE 2005/08/05 CHKD: ADERR 2005/08/05 APPR: FSMITH 2005/08/09 REVISIONS 1 DESCRIPTION | QUALITY SYMBOLS | GENERAL TOLERANCES (UNLESS SPECIFIED) <table border="1"> <thead> <tr> <th></th> <th>mm</th> <th>INCH</th> </tr> </thead> <tbody> <tr> <td>4 PLACES</td> <td>± .01</td> <td>± .0005</td> </tr> <tr> <td>3 PLACES</td> <td>± .013</td> <td>± .005</td> </tr> <tr> <td>2 PLACES</td> <td>± 0.13</td> <td>± .01</td> </tr> <tr> <td>1 PLACE</td> <td>± 0.25</td> <td>± .01</td> </tr> <tr> <td colspan="3">ANGULAR ±1/2°</td> </tr> </tbody> </table> | | mm | INCH | 4 PLACES | ± .01 | ± .0005 | 3 PLACES | ± .013 | ± .005 | 2 PLACES | ± 0.13 | ± .01 | 1 PLACE | ± 0.25 | ± .01 | ANGULAR ±1/2° | | | DIMENSION STYLE MM/IN | SCALE --- | DESIGN UNITS INCH | THIRD ANGLE PROJECTION |
|--|------------------|--|--------------------------------|---------------------|------|----------|-------|---------|----------|--------|--------|----------|--------|-------|---------|--------|-------|---------------|--|--|--------------------------|--------------|----------------------|------------------------|
| | | | mm | INCH | | | | | | | | | | | | | | | | | | | | |
| | 4 PLACES | | ± .01 | ± .0005 | | | | | | | | | | | | | | | | | | | | |
| | 3 PLACES | | ± .013 | ± .005 | | | | | | | | | | | | | | | | | | | | |
| 2 PLACES | ± 0.13 | ± .01 | | | | | | | | | | | | | | | | | | | | | | |
| 1 PLACE | ± 0.25 | ± .01 | | | | | | | | | | | | | | | | | | | | | | |
| ANGULAR ±1/2° | | | | | | | | | | | | | | | | | | | | | | | | |
| DRAWN BY WGM | DATE 07/10/96 | TITLE SALES ASSY, SL VERTICAL HEADER W/LATCH&TRI-PEGS (2.54)/.100 CENTERS | | | | | | | | | | | | | | | | | | | | | | |
| CHECKED BY WGM | DATE 07/10/96 | MOLEX INCORPORATED | | | | | | | | | | | | | | | | | | | | | | |
| APPROVED BY WAZ | DATE 07/10/96 | MATERIAL NO. SEE CHART | DOCUMENT NO. SDA-70545-**** | SHEET NO. 2 OF 4 | | | | | | | | | | | | | | | | | | | | |

DRAFT WHERE APPLICABLE
MUST REMAIN
WITHIN DIMENSIONS

THIS DRAWING CONTAINS INFORMATION THAT IS PROPRIETARY TO MOLEX
INCORPORATED AND SHOULD NOT BE USED WITHOUT WRITTEN PERMISSION

| J | CIRCUIT SIZE | ASSEMBLY ITEM NUMBER 70545 | MANUFACTURE RELEASE STATUS | | | | D (± 0.38) ± .015 | E (± 0.25) ± .010 | CONNECTOR END PLATING | | | P.C. BOARD END PLATING | | | J |
|---|--------------|-------------------------------|----------------------------|--|--|--|-------------------------|-------------------------|-----------------------|------------|------|------------------------|------------|------|---|
| | | | | | | | | | TYPE | H MEAS. | | TYPE | K MEAS. | | |
| | | | | | | | | | | | | | | | |
| I | 2-10 | -0001-0009 | R.F.M. | | | | (3.30) | (6.10) | TIN | (2.54) | .100 | TIN | (1.27) | .050 | I |
| | 11-25 | -0010-0024 | R.F.M. | | | | .130 | .240 | | | | | | | |
| H | 2-10 | -0036-0044 | R.F.M. | | | | (3.30) | (6.10) | 15 GOLD | (2.54) | .100 | TIN | (1.27) | .050 | H |
| | 11-25 | -0045-0059 | R.F.M. | | | | .130 | .240 | | | | | | | |
| G | 2-10 | -0071-0079 | R.F.M. | | | | (3.30) | (6.10) | 30 GOLD | (2.54) | .100 | TIN | (1.27) | .050 | G |
| | 11-25 | -0080-0094 | R.F.M. | | | | .130 | .240 | | | | | | | |
| F | 2-10 | -0141-0149 | R.F.M. | | | | (5.21) | (6.10) | 15 GOLD | (2.54) | .100 | TIN | (1.27) | .050 | F |
| | 11-25 | -0150-0164 | NOT TOOLED | | | | .205 | .240 | | | | | | | |
| E | 2-10 | -0176-0184 | R.F.M. | | | | (5.21) | (6.10) | 30 GOLD | (2.54) | .100 | TIN | (1.27) | .050 | E |
| | 11-25 | -0185-0199 | NOT TOOLED | | | | .205 | .240 | | | | | | | |

| F | CIRCUIT SIZE | ASSEMBLY ITEM NUMBER | ASSEMBLY ITEM NUMBER | ASSEMBLY ITEM NUMBER | ASSEMBLY ITEM NUMBER | ASSEMBLY ITEM NUMBER |
|---|--------------|----------------------|----------------------|----------------------|----------------------|----------------------|
| F | 2 | 70545-0001 | 70545-0036 | 70545-0071 | 70545-0141 | 70545-0176 |
| | 3 | 70545-0002 | 70545-0037 | 70545-0072 | 70545-0142 | 70545-0177 |
| | 4 | 70545-0003 | 70545-0038 | 70545-0073 | 70545-0143 | 70545-0178 |
| | 5 | 70545-0004 | 70545-0039 | 70545-0074 | 70545-0144 | 70545-0179 |
| | 6 | 70545-0005 | 70545-0040 | 70545-0075 | 70545-0145 | 70545-0180 |
| E | 7 | 70545-0006 | 70545-0041 | 70545-0076 | 70545-0146 | 70545-0181 |
| | 8 | 70545-0007 | 70545-0042 | 70545-0077 | 70545-0147 | 70545-0182 |
| | 9 | 70545-0008 | 70545-0043 | 70545-0078 | 70545-0148 | 70545-0183 |
| | 10 | 70545-0009 | 70545-0044 | 70545-0079 | 70545-0149 | 70545-0184 |
| | 11 | 70545-0010 | 70545-0045 | 70545-0080 | | |
| D | 12 | 70545-0011 | 70545-0046 | 70545-0081 | | |
| | 13 | 70545-0012 | 70545-0047 | 70545-0082 | | |
| | 14 | 70545-0013 | 70545-0048 | 70545-0083 | | |
| | 15 | 70545-0014 | 70545-0049 | 70545-0084 | | |
| | 16 | 70545-0015 | 70545-0050 | 70545-0085 | | |
| C | 17 | 70545-0016 | 70545-0051 | 70545-0086 | | |
| | 18 | 70545-0017 | 70545-0052 | 70545-0087 | | |
| | 19 | 70545-0018 | 70545-0053 | 70545-0088 | | |
| | 20 | 70545-0019 | 70545-0054 | 70545-0089 | | |
| | 21 | 70545-0020 | 70545-0055 | 70545-0090 | | |
| B | 22 | 70545-0021 | 70545-0056 | 70545-0091 | | |
| | 23 | 70545-0022 | 70545-0057 | 70545-0092 | | |
| | 24 | 70545-0023 | 70545-0058 | 70545-0093 | | |
| | 25 | 70545-0024 | 70545-0059 | 70545-0094 | | |

| | | | | | | | | | | | | | | | |
|---|---|-------------------------------|---|--------------------------|--------------|--|------------------------|-----------------|------------------|--|--------------------|------------------|--------------|--------------------------------|---------------------|
| B | CHG D DIM -0141-0199 FC NO: UCP2007-0420 DRAWN: JORGAN 2006/09/15 CHKD: MS BARA 2006/09/15 APPR: SMILLER 2006/09/19 | QUALITY SYMBOLS ▽=0 ▽=0 | GENERAL TOLERANCES (UNLESS SPECIFIED) mm INCH 4 PLACES ± --- ± --- 3 PLACES ± --- ± .005 2 PLACES ± 0.13 ± .01 1 PLACE ± 0.25 ± --- ANGULAR ±1/2° | DIMENSION STYLE MM/IN | SCALE --- | DESIGN UNITS INCH | THIRD ANGLE PROJECTION | DRAWN BY WGM | DATE 07/12/96 | TITLE SALES ASSY, SL VERTICAL HEADER W/LATCH&TRI-PEGS (2.54)/.100 CENTERS | APPROVED BY DJB | DATE 07/12/96 | MATERIAL NO. | DOCUMENT NO. SDA-70545-**** | SHEET NO. 3 OF 4 |
| | | | | | | | | | | | | | | | |
| A | DRAFT WHERE APPLICABLE MUST REMAIN WITHIN DIMENSIONS | | | SEE CHART | | THIS DRAWING CONTAINS INFORMATION THAT IS PROPRIETARY TO MOLEX INCORPORATED AND SHOULD NOT BE USED WITHOUT WRITTEN PERMISSION | | | | | | | | | |