



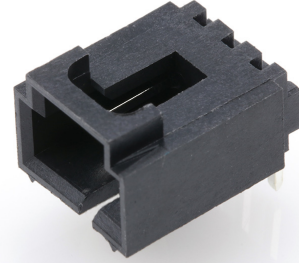
产品编号 : [705530002](#)

Product Description : 2.54mm Pitch SL Header, Low Profile, Single Row, Right Angle, 3.05mm Pocket, Shrouded, 3 Circuits, 0.38µm Gold (Au) Selective Plating, Tin (Sn) PC Tail Plating

系列号 : 70553

状态 : Active

Product Category : PCB Headers and Receptacles



文件和资源

图纸

[图纸 705530002_sd.pdf](#)

[包装设计图 PK-70873-0015-001.pdf](#)

3D 模型和设计文件

[3D模型 705530002_stp.zip](#)

规格


[产品规格 PS-70400-001.pdf](#)

[产品规格 PS-70541-001.pdf](#)

[测试摘要 TS-70541-100-001.pdf](#)

产物环境合规

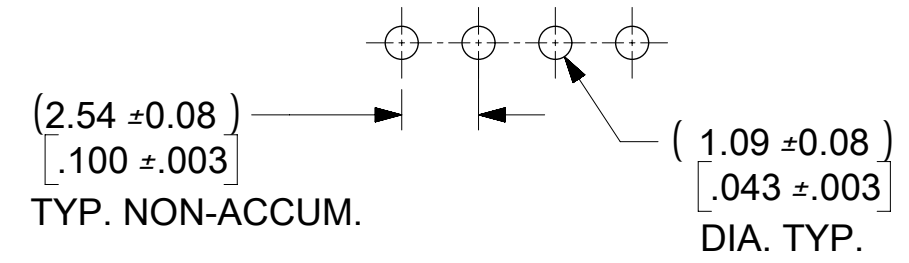
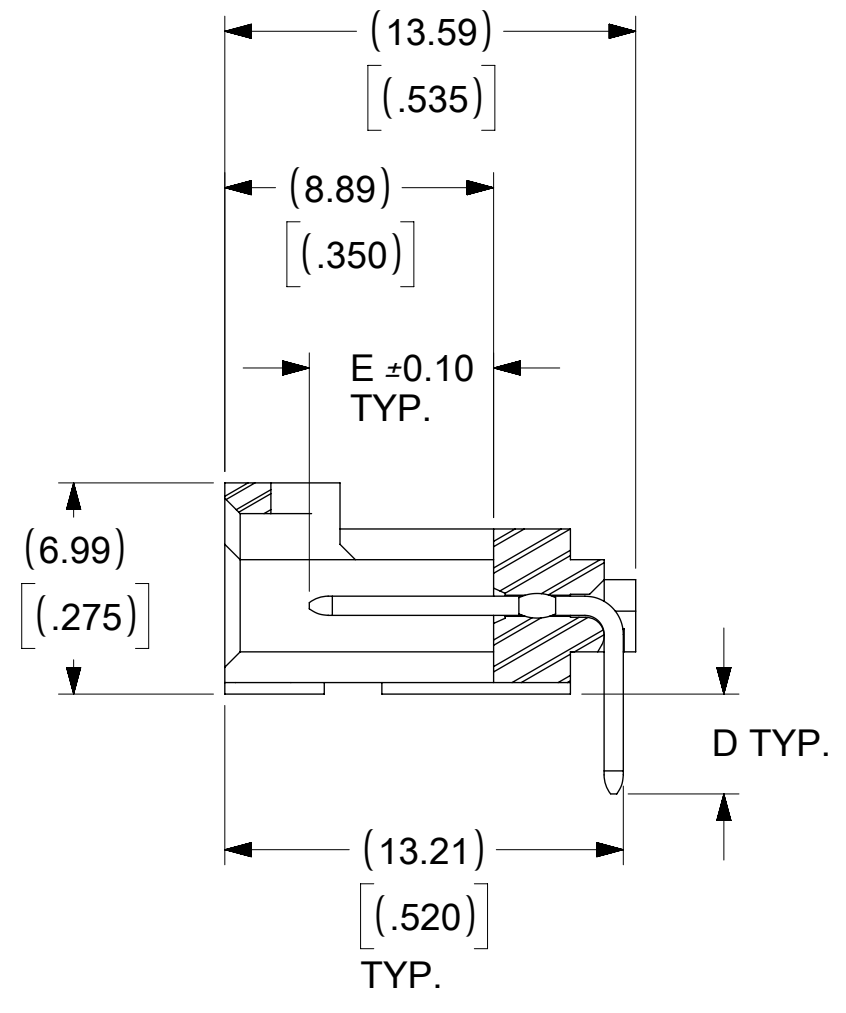
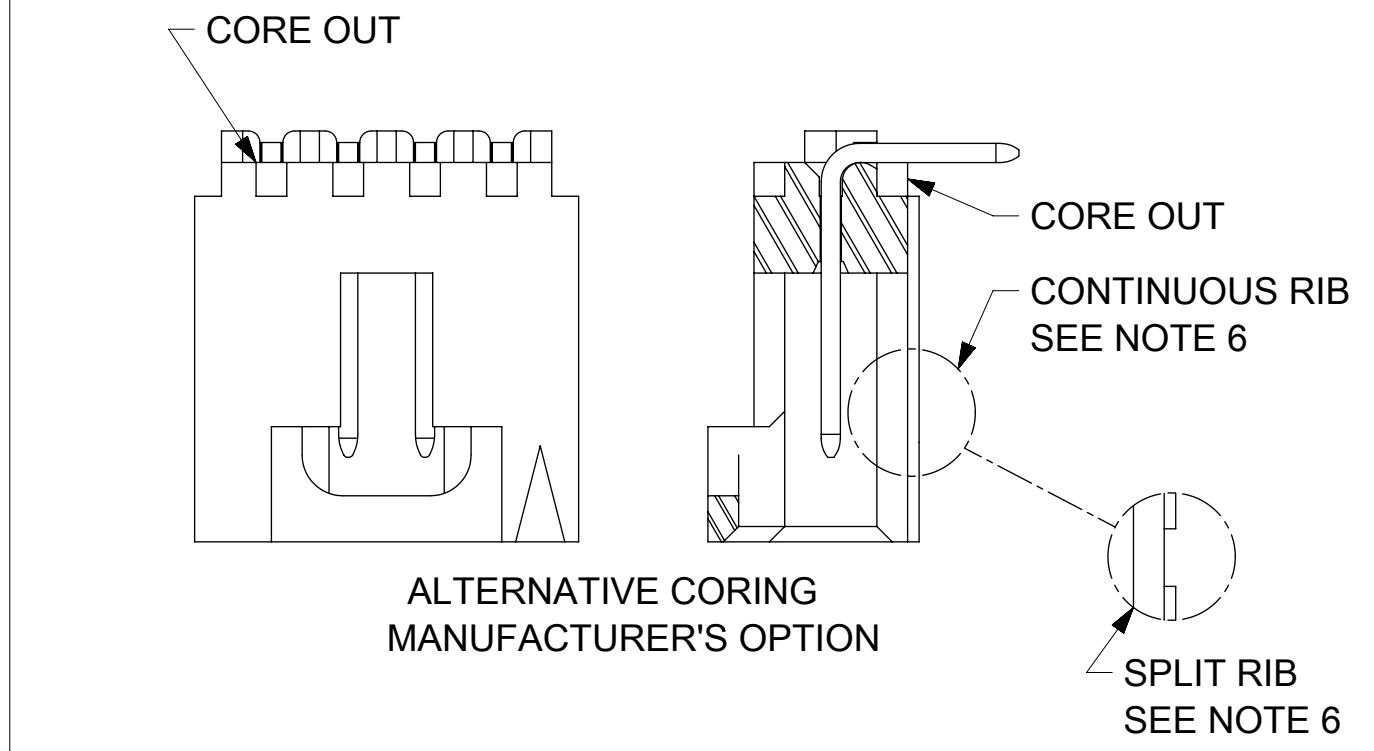
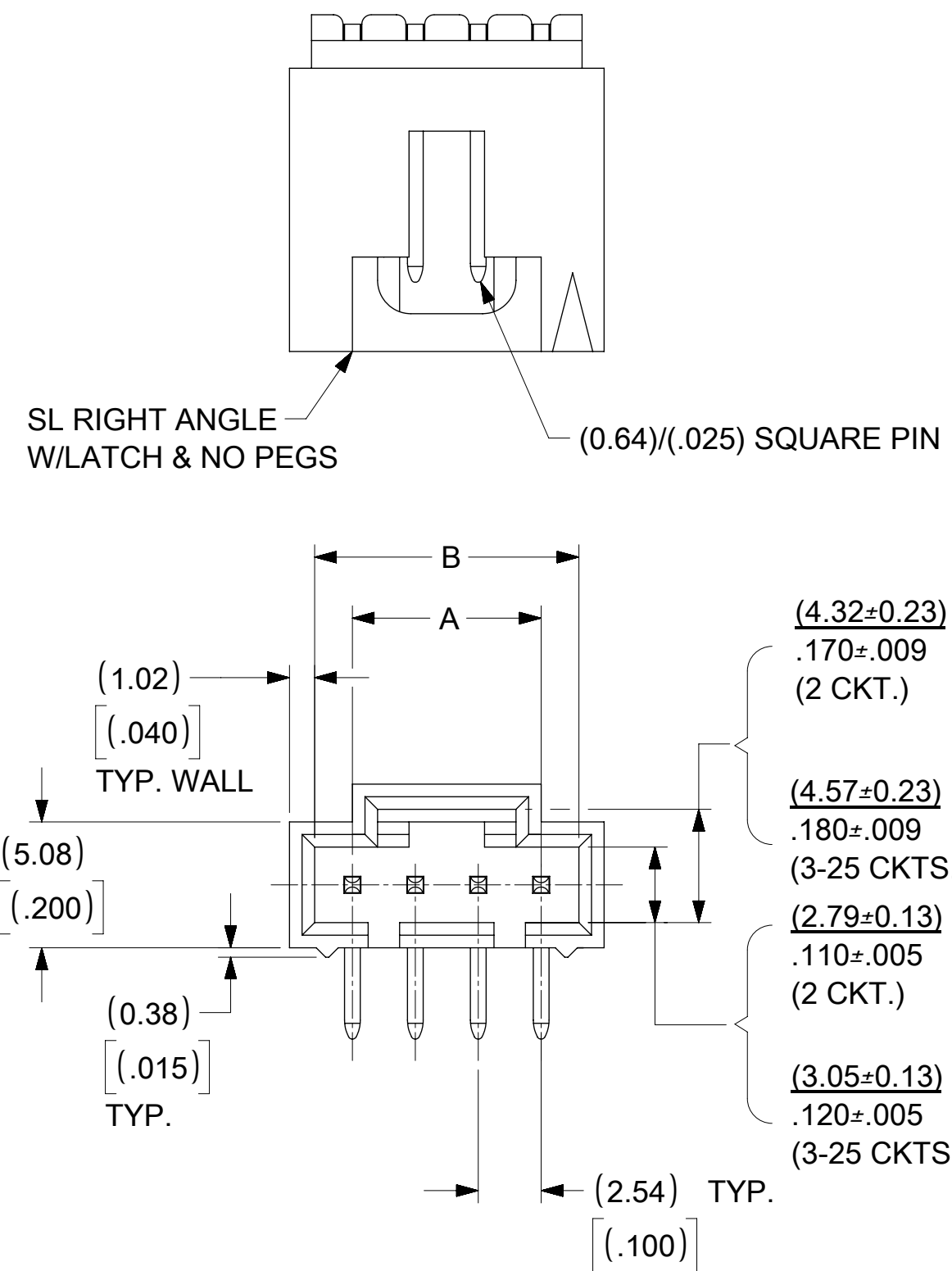
合规

GADSL/IMDS	Compliant with Exemption 44; 34; 33
China RoHS	
EU ELV	Not Relevant
Low-Halogen Status	Not Low-Halogen per IEC 61249-2-21
REACH SVHC	Not Contained per D(2023)3788-DC (14 Jun 2023)
EU RoHS	Compliant per EU 2015/863

多部分产品合规性声明

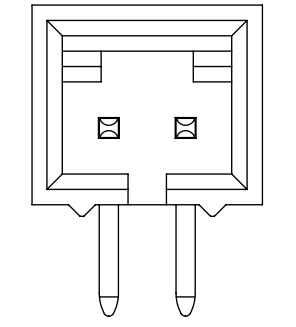
- Eu RoHS

- REACH SVHC

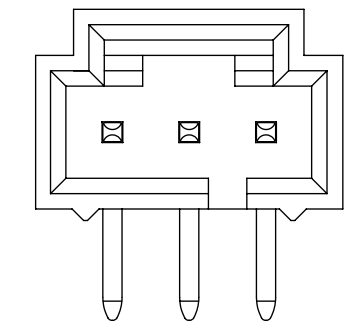


RECOMMENDED PC BOARD LAYOUT
(FOR USE WITH (1.57)/.062 THICK BOARD)

CKT. SIZE	DIM. "A"		DIM. "B"	
	MM	IN.	MM	IN.
2	2.54	.100	5.33	.210
3	5.08	.200	8.13	.320
4	7.62	.300	10.67	.420
5	10.16	.400	13.21	.520
6	12.70	.500	15.75	.620
7	15.24	.600	18.29	.720
8	17.78	.700	20.83	.820
9	20.32	.800	23.37	.920
10	22.86	.900	25.91	1.020
11	25.40	1.000	28.45	1.120
12	27.94	1.100	30.99	1.220
13	30.48	1.200	33.53	1.320
14	33.02	1.300	36.07	1.420
15	35.56	1.400	38.61	1.520
16	38.10	1.500	41.15	1.620
17	40.64	1.600	43.69	1.720
18	43.18	1.700	46.23	1.820
19	45.72	1.800	48.77	1.920
20	48.26	1.900	51.31	2.020
21	50.80	2.000	53.85	2.120
22	53.34	2.100	56.39	2.220
23	55.88	2.200	58.93	2.320
24	58.42	2.300	61.47	2.420
25	60.96	2.400	64.01	2.520



2 CIRCUIT



3 CIRCUIT

- NOTES:
- HEADER MATERIAL: GLASS FILLED POLYESTER;
UL 94V-0, COLOR: BLACK
PIN MATERIAL: PHOSPHOR BRONZE
 - FINISH:
TIN: 3.81 MICROMETERS/150 MICROINCHES MINIMUM TIN PLATE OVERALL
OVER NICKEL UNDERPLATE OVERALL
15 GOLD: 0.38 MICROMETERS/15 MICROINCHES MINIMUM GOLD PLATE IN CONTACT AREA
1.91 MICROMETERS/75 MICROINCHES MINIMUM TIN PLATE IN TAIL AREA
OVER NICKEL UNDERPLATE OVERALL
30 GOLD: 0.76 MICROMETERS/30 MICROINCHES MINIMUM GOLD PLATE IN CONTACT AREA
1.91 MICROMETERS/75 MICROINCHES MINIMUM TIN PLATE IN TAIL AREA
OVER NICKEL UNDERPLATE OVERALL
 - HEADER TO BE USED WITH OPTION "G" 70400 AND 70430 SERIES SL CONNECTORS
 - REFER TO MOLEX PRODUCT SPECIFICATION PS-70541 & PS-70400
 - STANDARD PACKAGING IN TUBES PER PK-70873-0015 OR OPTIONAL PACKAGING IN BAGS PER PK-70873-0535. OPTION PACK NOT AVAILABLE FOR ALL CKT SIZES.
 - ALTERNATIVE RIB, MAY BE SPILT OR CONTINUOUS. EITHER OPTION DOES NOT IMPACT FUNCTION OF THE ASSEMBLY.

THIS DRAWING CONTAINS INFORMATION THAT IS PROPRIETARY TO MOLEX ELECTRONIC TECHNOLOGIES, LLC AND SHOULD NOT BE USED WITHOUT WRITTEN PERMISSION

DIMENSION UNITS MM/IN	SCALE 4:1	CURRENT REV/DESC: MIGRATED TO NX	
GENERAL TOLERANCES (UNLESS SPECIFIED)		EC NO: 617172	
4 PLACES ±	±	DRWN: GGUNAGI	2019/05/08
3 PLACES ±	± 0.005	CHK'D: GJEEVANSURES	2019/05/14
2 PLACES ±	± 0.13 ± 0.01	APPR: ISHWARG	2019/05/14
1 PLACE ±	± 0.25 ±	INITIAL REVISION:	
0 PLACES ±	±	DRWN: AAB	1993/05/13
ANGULAR TOL ±	± 0.5 °	APPR: WAZ	1993/05/13
DRAFT WHERE APPLICABLE MUST REMAIN WITHIN DIMENSIONS	THIRD ANGLE PROJECTION	DRAWING	SERIES
		C-SIZE	70553

SALES ASSY, SL RIGHT ANGLE HDR W/LATCH (2.54)/.100 CENTERS

PRODUCT CUSTOMER DRAWING

DOCUMENT NUMBER	DOC TYPE	DOC PART	REVISION
SDA-70553-XXXX	PSD	001	M
MATERIAL NUMBER	CUSTOMER	SHEET NUMBER	
SEE TABLE	GENERAL MARKET	1 OF 3	

CIRCUIT SIZE	ENGINEERING NUMBER A-70553		D REF.	E ±.010	MATING AREA FINISH	PC TAIL AREA FINISH	SEE PACK INFORMATION DRAWING PK-70873
2-10	-0001-0009		(3.30) .130	(6.10) .240	15 GOLD	TIN	-0015 (TUBES)
11-25	-0010-0024		(3.30) .130	(6.10) .240	15 GOLD	TIN	-0015 (TUBES)
2-10	-0036-0044		(3.30) .130	(6.10) .240	TIN	TIN	-0015 (TUBES)
11-25	-0045-0059		(3.30) .130	(6.10) .240	TIN	TIN	-0015 (TUBES)
2-10	-0106-0114		(3.30) .130	(6.10) .240	30 GOLD	TIN	-0015 (TUBES)
11-25	-0115-0129		(3.30) .130	(6.10) .240	30 GOLD	TIN	-0015 (TUBES)
2-10	-0141-0149		(2.67) .105	(6.10) .240	15 GOLD	TIN	-0015 (TUBES)
11-25	-0150-0164		(2.67) .105	(6.10) .240	15 GOLD	TIN	-0015 (TUBES)
2-10							
11-25							

CIRCUIT SIZE	ASSEMBLY ITEM NUMBER	ASSEMBLY ITEM NUMBER	ASSEMBLY ITEM NUMBER	ASSEMBLY ITEM NUMBER	ASSEMBLY ITEM NUMBER	ASSEMBLY ITEM NUMBER
2	70553-0001	70553-0036	70553-0106	70553-0141		
3	70553-0002	70553-0037	70553-0107	70553-0142		
4	70553-0003	70553-0038	70553-0108	70553-0143		
5	70553-0004	70553-0039	70553-0109	70553-0144		
6	70553-0005	70553-0040	70553-0110	70553-0145		
7	70553-0006	70553-0041	70553-0111	70553-0146		
8	70553-0007	70553-0042	70553-0112	70553-0147		
9	70553-0008	70553-0043	70553-0113	70553-0148		
10	70553-0009	70553-0044	70553-0114	70553-0149		
11	70553-0010	70553-0045	70553-0115	70553-0150		
12	70553-0011	70553-0046	70553-0116	70553-0151		
13	70553-0012	70553-0047	70553-0117	70553-0152		
14	70553-0013	70553-0048	70553-0118	70553-0153		
15	70553-0014	70553-0049	70553-0119	70553-0154		
16	70553-0015	70553-0050	70553-0120	70553-0155		
17	70553-0016	70553-0051	70553-0121	70553-0156		
18	70553-0017	70553-0052	70553-01222	70553-0157		
19	70553-0018	70553-0053	70553-0123	70553-0158		
20	70553-0019	70553-0054	70553-0124	70553-0159		
21	70553-0020	70553-0055	70553-0125	70553-0160		
22	70553-0021	70553-0056	70553-0126	70553-0161		
23	70553-0022	70553-0057	70553-0127	70553-0162		
24	70553-0023	70553-0058	70553-0128	70553-0163		
25	70553-0024	70553-0059	70553-0129	70553-0164		

"X" IN COLUMN UNDER "ASSEMBLY ITEM NUMBER" HEADING DENOTES TOOLING NOT AVAILABLE

THIS DRAWING CONTAINS INFORMATION THAT IS PROPRIETARY TO MOLEX ELECTRONIC TECHNOLOGIES, LLC AND SHOULD NOT BE USED WITHOUT WRITTEN PERMISSION

DIMENSION UNITS MM/IN		SCALE 4:1		CURRENT REV DESC: MIGRATED TO NX	
GENERAL TOLERANCES (UNLESS SPECIFIED)				EC NO: 617172	
4 PLACES	±	MM	±	DRWN: GGUNAGI	2019/05/08
3 PLACES	±	MM	± 0.005	CHK'D: GJEEVANSURES	2019/05/14
2 PLACES	±	MM	± 0.01	APPR: ISHWARG	2019/05/14
1 PLACE	±	MM	± 0.25	INITIAL REVISION:	
0 PLACES	±	MM	±	DRWN: AAB	1993/05/13
ANGULAR TOL		± 0.5 °		APPR: WAZ	1993/05/13
DRAFT WHERE APPLICABLE MUST REMAIN WITHIN DIMENSIONS		THIRD ANGLE PROJECTION 		DRAWING C-SIZE	SERIES 70553
DOCUMENT STATUS		P1		RELEASE DATE	
2019/05/14		13:29:29			
DOCUMENT NUMBER		DOC TYPE		DOC PART	
SDA-70553-XXXX		PSD		001	
MATERIAL NUMBER		CUSTOMER		SHEET NUMBER	
SEE TABLE		GENERAL MARKET		2 OF 3	



SALES ASSY, SL RIGHT
ANGLE HDR W/LATCH (2.54)/.100 CENTERS

PRODUCT CUSTOMER DRAWING

CIRCUIT SIZE	ENGINEERING NUMBER A-70553		D REF.	E ±.010	MATING AREA FINISH	PC TAIL AREA FINISH	SEE PACK INFORMATION DRAWING PK-70873
2-10	-5001-5009		(3.30) .130	(6.10) .240	15 GOLD	TIN	-0535(BAGS)
2-10	-5036-5044		(3.30) .130	(6.10) .240	TIN	TIN	-0535(BAGS)
2-10	-6001-6009		(3.30) .130	(6.10) .240	15 GOLD	TIN	-0535(BAGS)
2-10							

CIRCUIT SIZE	ASSEMBLY ITEM NUMBER	ASSEMBLY ITEM NUMBER	ASSEMBLY ITEM NUMBER	ASSEMBLY ITEM NUMBER	ASSEMBLY ITEM NUMBER	ASSEMBLY ITEM NUMBER
2	X 70553-5001		70553-0036			
3	X 70553-5002	X	70553-5037	70553-6002		
4	X 70553-5003		70553-5038			
5	X 70553-5004	X	70553-5039			
6	X 70553-5005	X	70553-5040			
7	X 70553-5006	X	70553-5041			
8	X 70553-5007	X	70553-5042			
9	X 70553-5008	X	70553-5043			
10	X 70553-5009	X	70553-5044			

"X" IN COLUMN UNDER "ASSEMBLY ITEM NUMBER" HEADING DENOTES TOOLING NOT AVAILABLE

THIS DRAWING CONTAINS INFORMATION THAT IS PROPRIETARY TO MOLEX ELECTRONIC TECHNOLOGIES, LLC AND SHOULD NOT BE USED WITHOUT WRITTEN PERMISSION									
DIMENSION UNITS MM/IN		SCALE 4:1		CURRENT REV DESC: MIGRATED TO NX				molex	
GENERAL TOLERANCES (UNLESS SPECIFIED)				EC NO: 617172		SALES ASSY, SL RIGHT			
4 PLACES ±		MM INCH		DRWN: GGUNAGI 2019/05/08		ANGLE HDR W/LATCH (2.54)/.100 CENTERS			
3 PLACES ±		± 0.005		CHK'D: GJEEVANSURES 2019/05/14					
2 PLACES ±		0.13 ± 0.01		APPR: ISHWARG 2019/05/14				PRODUCT CUSTOMER DRAWING	
1 PLACE ±		0.25 ±		INITIAL REVISION:				DOCUMENT NUMBER	
0 PLACES ±		±		DRWN: AAB 1993/05/13		SDA-70553-XXXX		DOC TYPE DOC PART REVISION	
ANGULAR TOL ± 0.5 °				APPR: WAZ 1993/05/13		PSD 001 M			
DRAFT WHERE APPLICABLE MUST REMAIN WITHIN DIMENSIONS				THIRD ANGLE PROJECTION		DRAWING C-SIZE		SERIES 70553	
MATERIAL NUMBER		CUSTOMER		SHEET NUMBER		SEE TABLE		GENERAL MARKET 3 OF 3	

- Low-Halogen

多部分行业合规性文件

- IPC 1752A Class C

- IPC 1752A Class D

- Molex Product Compliance Declaration

- IEC-62474

- chemSHERPA (xml)

欧盟 RoHS 合格证书

产品详情

常规

状态	活动
类别	PCB Headers and Receptacles
系列	70553
说明	2.54mm Pitch SL Header, Low Profile, Single Row, Right Angle, 3.05mm Pocket, Shrouded, 3 Circuits, 0.38µm Gold (Au) Selective Plating, Tin (Sn) PC Tail Plating
应用	Signal, Wire-to-Board
元件类型	PCB Header
产品系列	SL Modular Connectors
产品名称	SL
UPC	800753686526

机构

CSA	LR19980
UL	E29179

电气

每触点最大电流	3.0A
电压 - 最大	250V

物理

断开	否
回路数 (已载入)	3

电路数 (最多)	3
颜色-树脂	黑色
耐用性(插拔次数) - 最多次数	50
阻燃性	94V-0
符合灼热丝规范	否
可配插产品指南	是
锁定插接部位	是
材料 - 金属	Brass, Phosphor Bronze
材料 - 接合部位电镀	金牌
材料 - 终端电镀	Tin
材料 - 树脂	High Temperature Thermoplastic
净重	0.722/g
行数	1
方向	Right Angle
包装形式	Tube
PC 焊脚长度	3.30mm
PCB 定位器	否
PCB 保持力	无
推荐的 PCB 厚度	1.60mm
间距 - 插配接口	2.54mm
最薄镀层 - 接合部位	0.381µm
最薄镀层 - 端接	1.905µm
有极性的插配件	是
有护墙的	Fully
可堆叠的	否
运行温度范围	-40° to +105° C
终端界面类型	Through Hole

进程

最长持续时间	3
无铅	WAVE
最大周期	1
最高温度	260

可配插/可连接使用的产品

可配插部件

描述	产品编号
SL Single Row Crimp Housings and CPA Retainers	<u>70066</u>
SL Single Row Female Insulation Displacement Connector Assemblies	<u>70400</u>
SL Single Row Female Receptacles	<u>70430</u>

This document was generated on Feb 28, 2024