



产品编号 : 705550041

Product Description : 2.54mm Pitch SL Header, Single Row, Right Angle, 3.05mm Pocket, Shrouded, with Press-fit Plastic Peg, 7 Circuits, 0.38µm Gold (Au) Selective Plating, Tin (Sn) PC Tail Plating

系列号 : 70555

状态 : Active

Product Category : PCB Headers and Receptacles

工程编号 : A-70555-0041

文件和资源

图纸

图纸 705550041_sd.pdf

包装设计图 PK-70873-0015-001.pdf

3D 模型和设计文件

3D模型 705550041_stp.zip

规格


产品规格 PS-70400-001.pdf

产品规格 PS-70541-001.pdf

测试摘要 TS-70541-100-001.pdf

产物环境合规

合规

GADSL/IMDS	Compliant with Exemption 44; 34; 33
China RoHS	
EU ELV	Not Relevant
Low-Halogen Status	Not Low-Halogen per IEC 61249-2-21
REACH SVHC	Not Contained per D(2023)8585-DC (23 Jan 2024)
EU RoHS	Compliant per EU 2015/863

多部分产品合规性声明

- Eu RoHS
- REACH SVHC
- Low-Halogen

- IPC 1752A Class C
- IPC 1752A Class D
- Molex Product Compliance Declaration
- IEC-62474
- chemSHERPA (xml)

欧盟 RoHS 合格证书

产品详情

常规

状态	活动
类别	PCB Headers and Receptacles
系列	70555
说明	2.54mm Pitch SL Header, Single Row, Right Angle, 3.05mm Pocket, Shrouded, with Press-fit Plastic Peg, 7 Circuits, 0.38µm Gold (Au) Selective Plating, Tin (Sn) PC Tail Plating
应用	Signal, Wire-to-Board
元件类型	PCB Header
产品系列	SL Modular Connectors
产品名称	SL
UPC	800753597204

机构

CSA	LR19980
UL	E29179

电气

每触点最大电流	3.0A
电压 - 最大	250V

物理

断开	否
回路数 (已载入)	7
电路数 (最多)	7
颜色-树脂	黑色

耐用性(插拔次数) - 最多次数	50
阻燃性	94V-0
符合灼热丝规范	否
可配插产品指南	是
锁定插接部位	是
材料 - 金属	Brass, Phosphor Bronze
材料 - 接合部位电镀	金牌
材料 - 终端电镀	Tin
材料 - 树脂	High Temperature Thermoplastic
净重	1.610/g
行数	1
方向	Right Angle
包装形式	Tube
PC 焊脚长度	3.30mm
PCB 定位器	是
PCB 保持力	是
推荐的 PCB 厚度	1.60mm
间距 - 插配接口	2.54mm
最薄镀层 - 接合部位	0.381µm
最薄镀层 - 端接	1.905µm
有极性的插配件	是
有护墙的	Fully
可堆叠的	否
运行温度范围	-40° to +105° C
终端界面类型	Through Hole

进程

无铅	WAVE
----	------

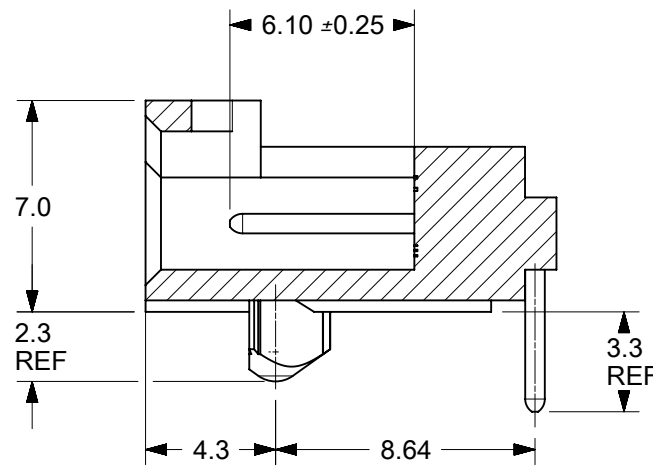
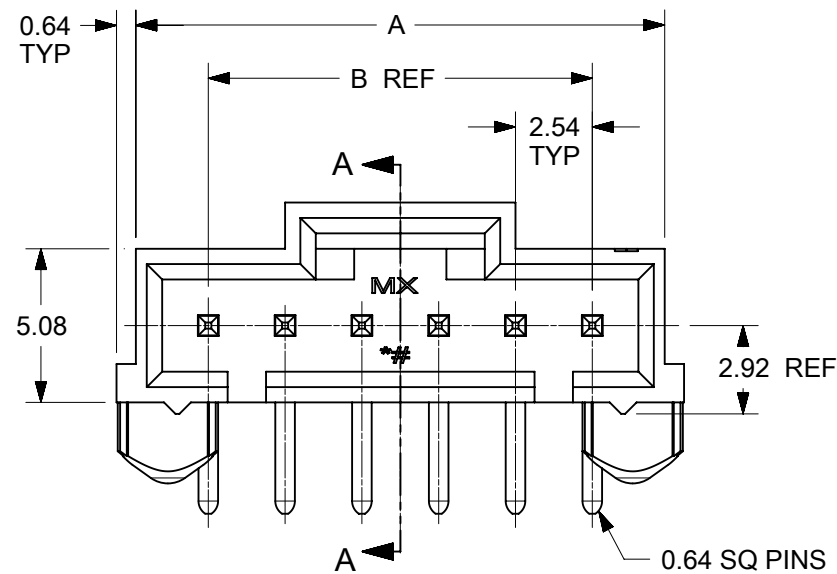
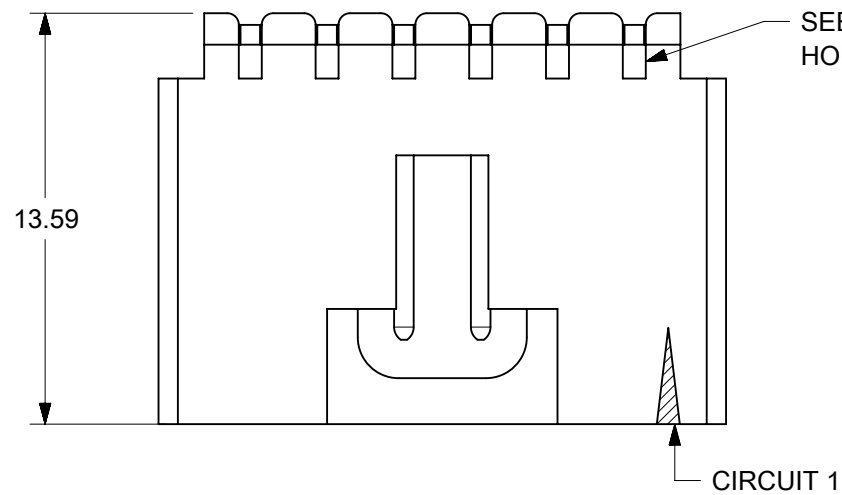
可配插/可连接使用的产品

可配插部件

描述	产品编号
SL Single Row Crimp Housings and CPA Retainers	<u>70066</u>

SL Single Row Female Insulation Displacement Connector Assemblies	<u>70400</u>
SL Single Row Female Receptacles	<u>70430</u>

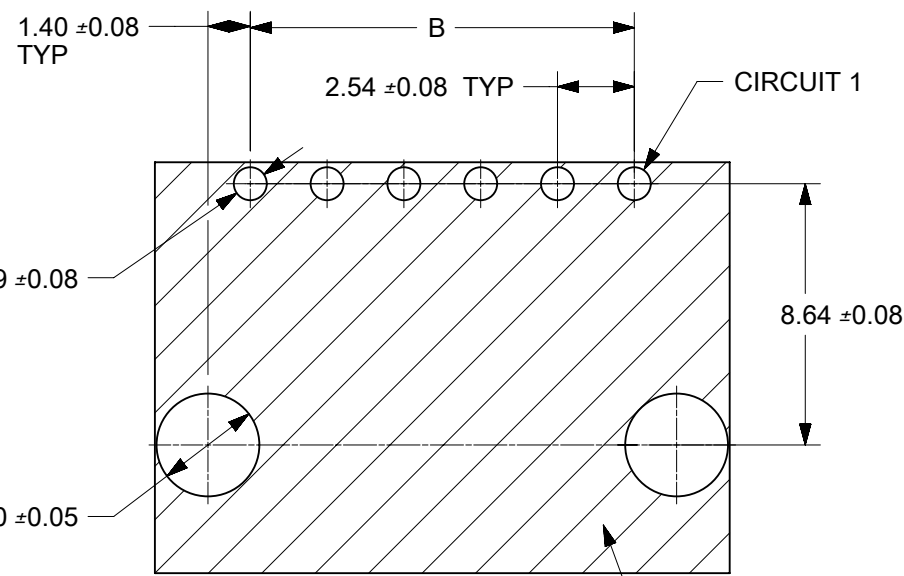
This document was generated on Jun 03, 2024



SECTION A-A

- NOTES:
- HOUSING MATERIAL: POLYESTER, UL94V-0, BLACK
TERMINAL MATERIAL: PHOS BRONZE
 - FINISH:
124: OVERALL BRIGHT TIN: 3.75 MICROMETERS MIN OVER NICKEL
223: OVERALL MATTE TIN: 3.81 MICROMETERS MIN OVER NICKEL
249: SELECT GOLD: 0.38 MICROMETERS MIN. IN CONTACT AREA WITH
SELECT MATTE TIN: 1.90 MICROMETERS MIN IN PC TAIL AREA
BOTH OVER NICKEL
250: SELECT GOLD: 0.76 MICROMETERS MIN. IN CONTACT AREA WITH
SELECT MATTE TIN: 1.90 MICROMETERS MIN IN PC TAIL AREA
BOTH OVER NICKEL
 - PRODUCT SPECIFICATION: PS-70541
 - PACKAGING SPECIFICATION: SEE CHART
 - COSMETIC SPECIFICATION: PS-45499-002 CLASS B
 - SOLDERABILITY PER SMES-152 LEAD FREE ALLOY
 - THIS HEADER MATES WITH 70400 AND 70430 OPTION G SL CONNECTORS

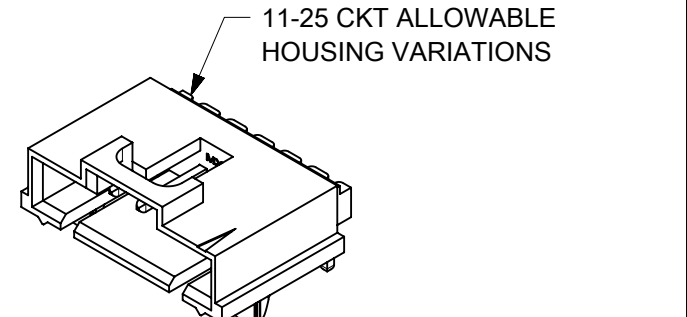
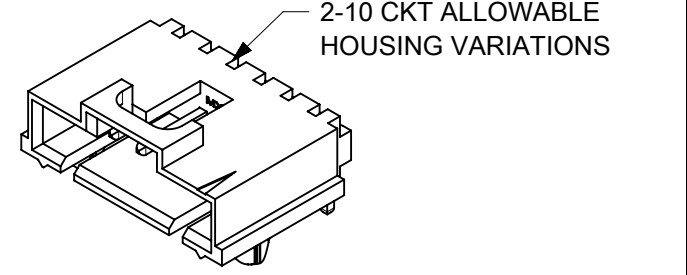
CKTS	DIM A	DIM B
2	7.37	2.54
3	10.17	5.08
4	12.71	7.62
5	15.25	10.16
6	17.79	12.70
7	20.33	15.24
8	22.87	17.78
9	25.41	20.32
10	27.95	22.86
11	30.49	25.40
12	33.03	27.94
13	35.57	30.48
14	38.11	33.02
15	40.65	35.56
16	43.19	38.10
17	45.73	40.64
18	48.27	43.18
19	50.81	45.72
20	53.35	48.26
21	55.89	50.80
22	58.43	53.34
23	60.97	55.88
24	63.51	58.42
25	66.05	60.96



PCB LAYOUT: COMPONENT SIDE
RECOMMENDED PCB THICKNESS: 1.57


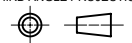
SYMBOLS		THIS DRAWING CONTAINS INFORMATION THAT IS PROPRIETARY TO MOLEX ELECTRONIC TECHNOLOGIES, LLC AND SHOULD NOT BE USED WITHOUT WRITTEN PERMISSION	
▽ = 0	DIMENSION UNITS	SCALE	CURRENT REV DESC:
▽ = 0	mm	4:1	
▽ = 0	GENERAL TOLERANCES (UNLESS SPECIFIED)		
▽ = 0	ANGULAR TOL	± °	
▽ = 0	4 PLACES	±	EC NO: 603253
▽ = 0	3 PLACES	±	DRWN: KSAMIEC 2018/02/14
▽ = 0	2 PLACES	± 0.15	CHK'D: DSTEIER 2018/08/24
▽ = 0	1 PLACE	± 0.25	APPR: FSMITH 2018/09/04
▽ = 0	0 PLACES	± 0.0	INITIAL REVISION:
▽ = 0	DRAFT WHERE APPLICABLE MUST REMAIN WITHIN DIMENSIONS		DRWN: KSAMIEC 2018/02/14
▽ = 0	THIRD ANGLE PROJECTION		APPR: FSMITH 2018/09/04
DRAWING		SERIES	DOCUMENT NUMBER
B-SIZE		70555	705550000-SD
MATERIAL NUMBER		CUSTOMER	DOC TYPE DOC PART REVISION
			PSD 000 A
SHEET NUMBER		1 OF 3	

PLATING CODE	124	249	250	223
PLATING	BRIGHT TIN	0.38 SELECT GOLD	0.76 SELECT GOLD	MATTE TIN
PACKAGING	PK-70873-0015	PK-70873-0015	PK-70873-0015	PK-70873-0015
CKT	MATERIAL NO	MATERIAL NO	MATERIAL NO	MATERIAL NO
2	70555-0001	70555-0036	70555-0071	70555-4001
3	70555-0002	70555-0037	70555-0072	70555-4002
4	70555-0003	70555-0038	70555-0073	70555-4003
5	70555-0004	70555-0039	70555-0074	70555-4004
6	70555-0005	70555-0040	70555-0075	70555-4005
7	70555-0006	70555-0041	70555-0076	70555-4006
8	70555-0007	70555-0042	70555-0077	70555-4007
9	70555-0008	70555-0043	70555-0078	70555-4008
10	70555-0009	70555-0044	70555-0079	70555-4009
11	70555-0010	70555-0045	70555-0080	70555-4010
12	70555-0011	70555-0046	70555-0081	70555-4011
13	70555-0012	70555-0047	70555-0082	70555-4012
14	70555-0013	70555-0048	70555-0083	70555-4013
15	70555-0014	70555-0049	70555-0084	70555-4014
16	70555-0015	70555-0050	70555-0085	70555-4015
17	70555-0016	70555-0051	70555-0086	70555-4016
18	70555-0017	70555-0052	70555-0087	70555-4017
19	70555-0018	70555-0053	70555-0088	70555-4018
20	70555-0019	70555-0054	70555-0089	70555-4019
21	70555-0020	70555-0055	70555-0090	70555-4020
22	70555-0021	70555-0056	70555-0091	70555-4021
23	70555-0022	70555-0057	70555-0092	70555-4022
24	70555-0023	70555-0058	70555-0093	70555-4023
25	70555-0024	70555-0059	70555-0094	70555-4024



SYMBOLS	THIS DRAWING CONTAINS INFORMATION THAT IS PROPRIETARY TO MOLEX ELECTRONIC TECHNOLOGIES, LLC AND SHOULD NOT BE USED WITHOUT WRITTEN PERMISSION		CURRENT REV DESC:				
	DIMENSION UNITS	SCALE					
▽ = 0	mm	2:1	EC NO: 603253		PRODUCT CUSTOMER DRAWING		
▽ = 0	GENERAL TOLERANCES (UNLESS SPECIFIED)		DRWN: KSAMIEC 2018/02/14				
▽ = 0	ANGULAR TOL ± °		CHK'D: DSTEIER 2018/08/24		DOCUMENT NUMBER: 705550000-SD DOC TYPE: PSD DOC PART: 000 REVISION: A		
▽ = 0	4 PLACES ±		APPR: FSMITH 2018/09/04				
▽ = 0	3 PLACES ±		INITIAL REVISION:		MATERIAL NUMBER: 70555 CUSTOMER: SHEET NUMBER: 2 OF 3		
▽ = 0	2 PLACES ± 0.15		DRWN: KSAMIEC 2018/02/14				
▽ = 0	1 PLACE ± 0.25		APPR: FSMITH 2018/09/04		THIRD ANGLE PROJECTION		
▽ = 0	0 PLACES ± 0.0		DRAFT WHERE APPLICABLE MUST REMAIN WITHIN DIMENSIONS				
▽ = 0	DRAFT WHERE APPLICABLE MUST REMAIN WITHIN DIMENSIONS		DRAWING: B-SIZE		SERIES: 70555		
▽ = 0	DRAFT WHERE APPLICABLE MUST REMAIN WITHIN DIMENSIONS		THIRD ANGLE PROJECTION				

MATERIAL NO	HOUSING SIZE	PLATING CODE	PLATING	PACKAGING	VOIDED CKTS
70555-5002	3	124	BRIGHT TIN	70873-0015	2

SYMBOLS	THIS DRAWING CONTAINS INFORMATION THAT IS PROPRIETARY TO MOLEX ELECTRONIC TECHNOLOGIES, LLC AND SHOULD NOT BE USED WITHOUT WRITTEN PERMISSION											
	DIMENSION UNITS		SCALE		CURRENT REV DESC:							
	mm		1:1									
	GENERAL TOLERANCES (UNLESS SPECIFIED)		EC NO: 603253 DRWN: KSAMIEC 2018/02/14 CHK'D: DSTEIER 2018/08/24 APPR: FSMITH 2018/09/04					SL PCT HEADER ASSY RTAN PEGS WAS SDA-70555-****				
	ANGULAR TOL ± °											
	▽ = 0	4 PLACES ±	INITIAL REVISION: DRWN: KSAMIEC 2018/02/14 APPR: FSMITH 2018/09/04					DOCUMENT NUMBER	DOC TYPE	DOC PART	REVISION	
	▽ = 0	3 PLACES ±						705550000-SD			PSD	000
	▽ = 0	2 PLACES ± 0.15	DRAFT WHERE APPLICABLE MUST REMAIN WITHIN DIMENSIONS					MATERIAL NUMBER		CUSTOMER		SHEET NUMBER
	▽ = 0	1 PLACE ± 0.25						B-SIZE		70555		
	▽ = 0	0 PLACES ± 0.0	THIRD ANGLE PROJECTION		DRAWING	SERIES						
▽ = 0				B-SIZE	70555							

DOCUMENT STATUS	P1	RELEASE DATE	2018/09/04	20:30:34
-----------------	----	--------------	------------	----------