



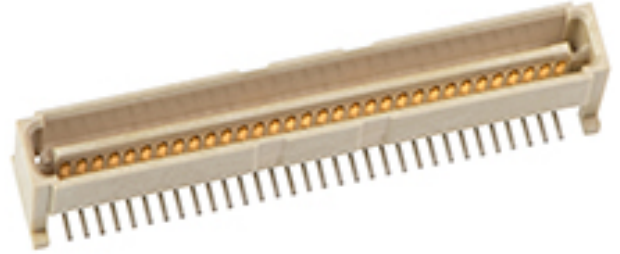
产品编号 : [714362464](#)

Product Description : 1.00mm Mezz (IEEE 1386) Plug, Surface Mount, Dual Row, Vertical Stacking, 64 Circuits, 8.35mm Unmated Height, with PCB Locator Pegs, with Robotic Placement Metal Cap, 0.76µm Gold (Au) Selective Plating, Embossed

系列号 : 71436

状态 : Active

Product Category : Board-to-Board Connectors



文件和资源

图纸

[图纸 714362464_sd.pdf](#)

[包装设计图 PK-70873-063-001.pdf](#)

3D 模型和设计文件


[3D模型 714362464_stp.zip](#)

规格

[产品规格 PS-71436-9999-001.pdf](#)

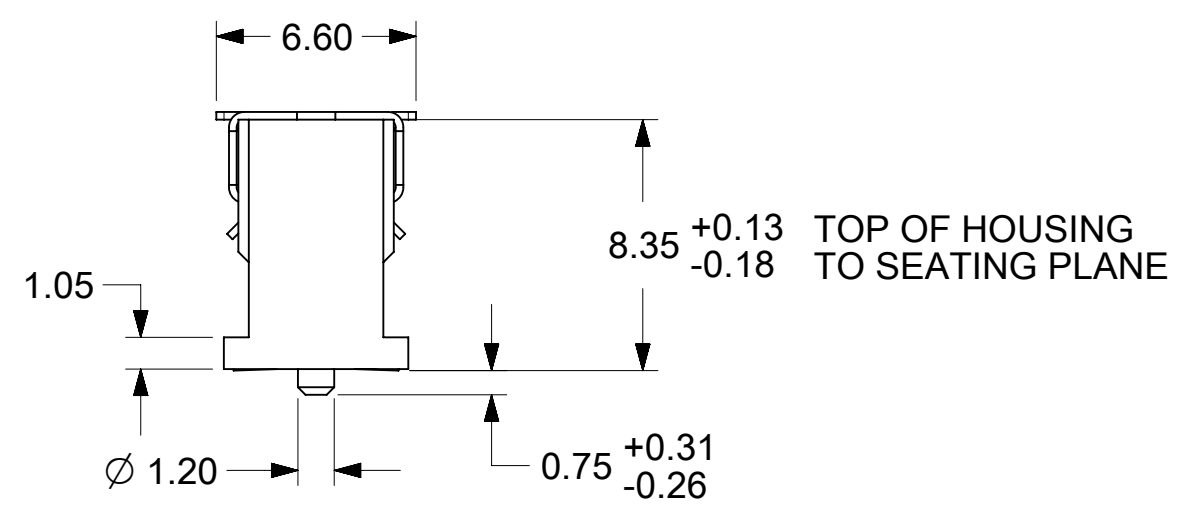
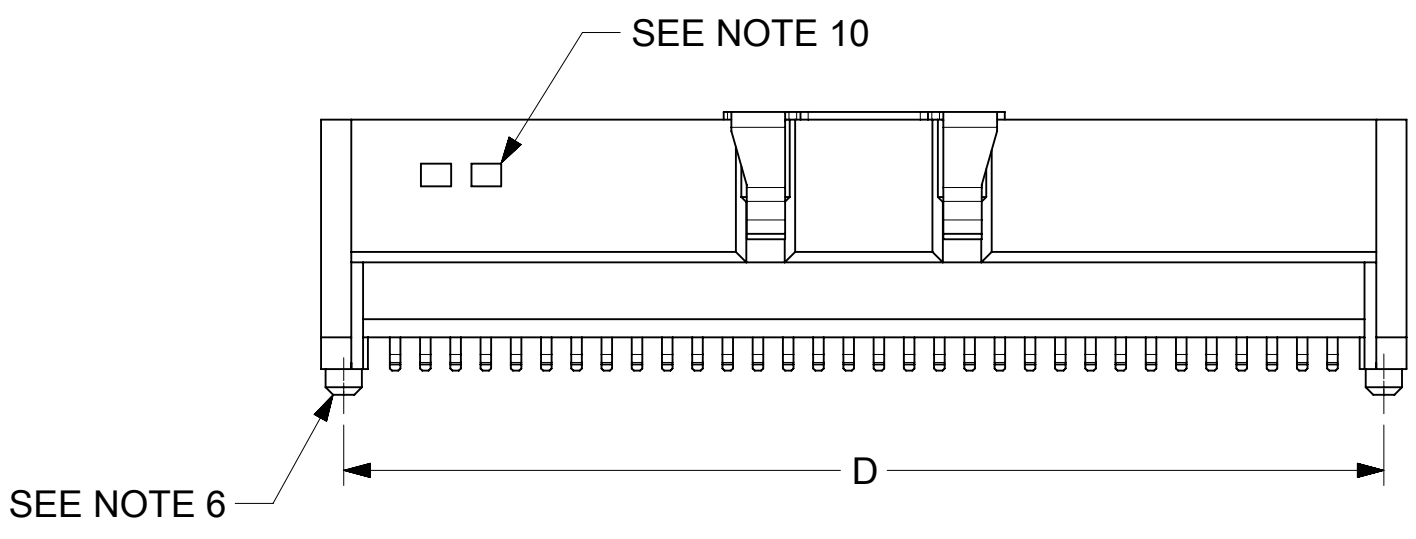
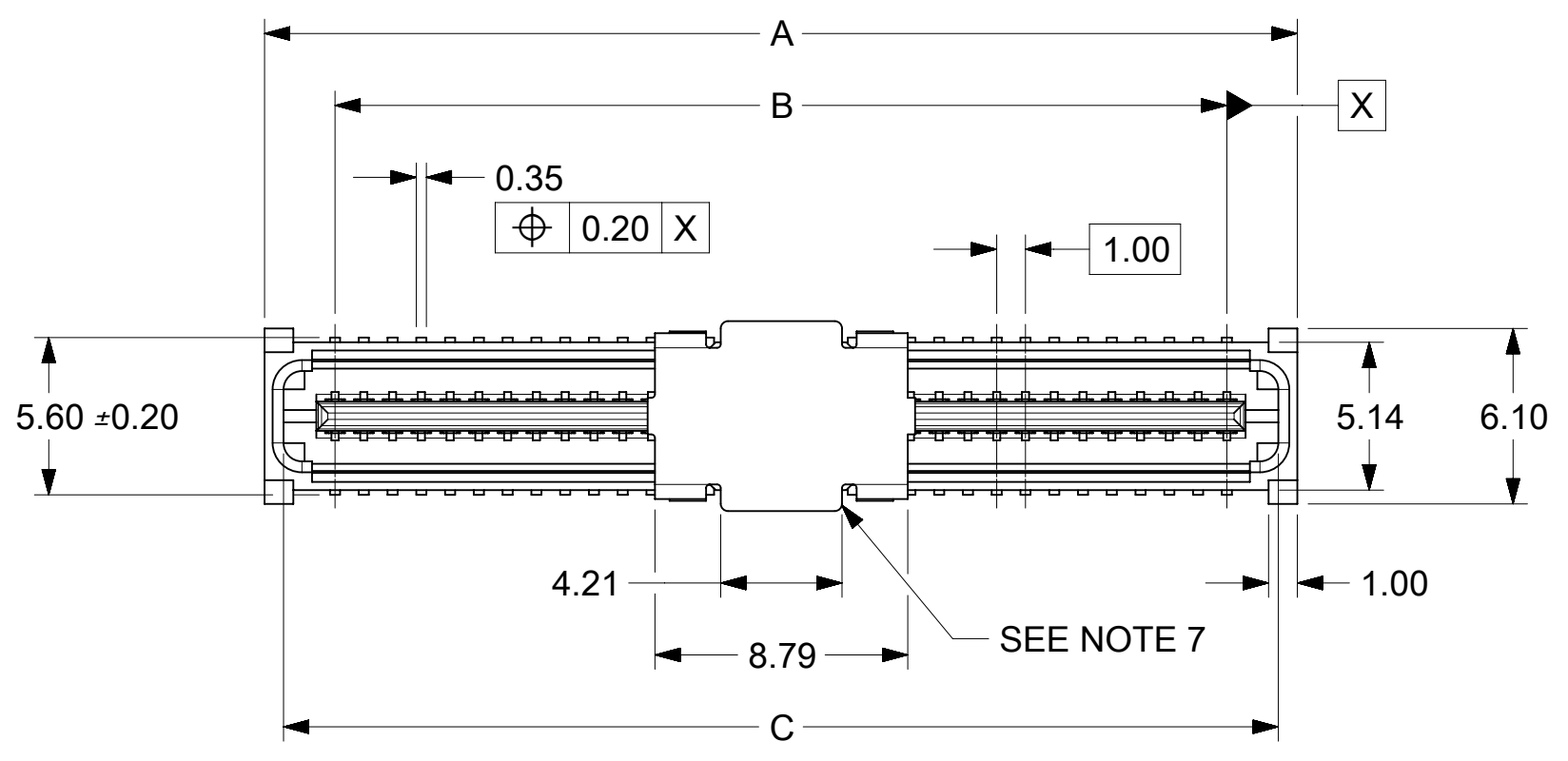
产物环境合规

合规

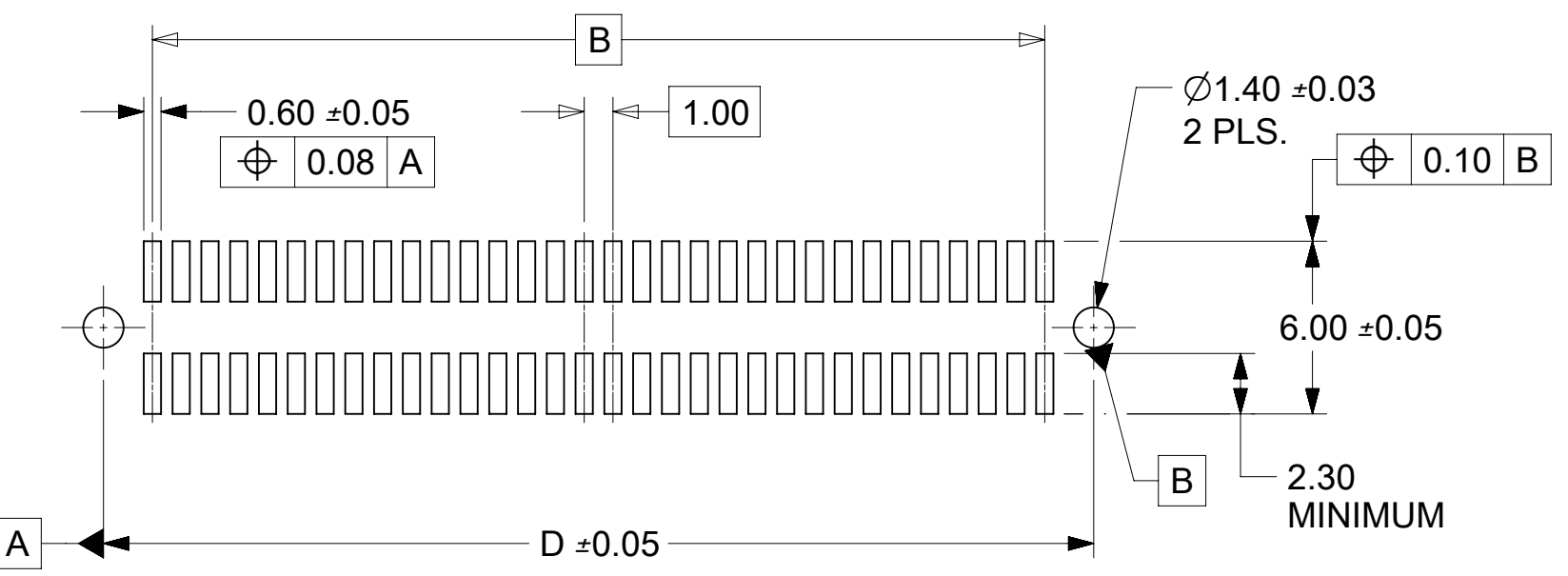
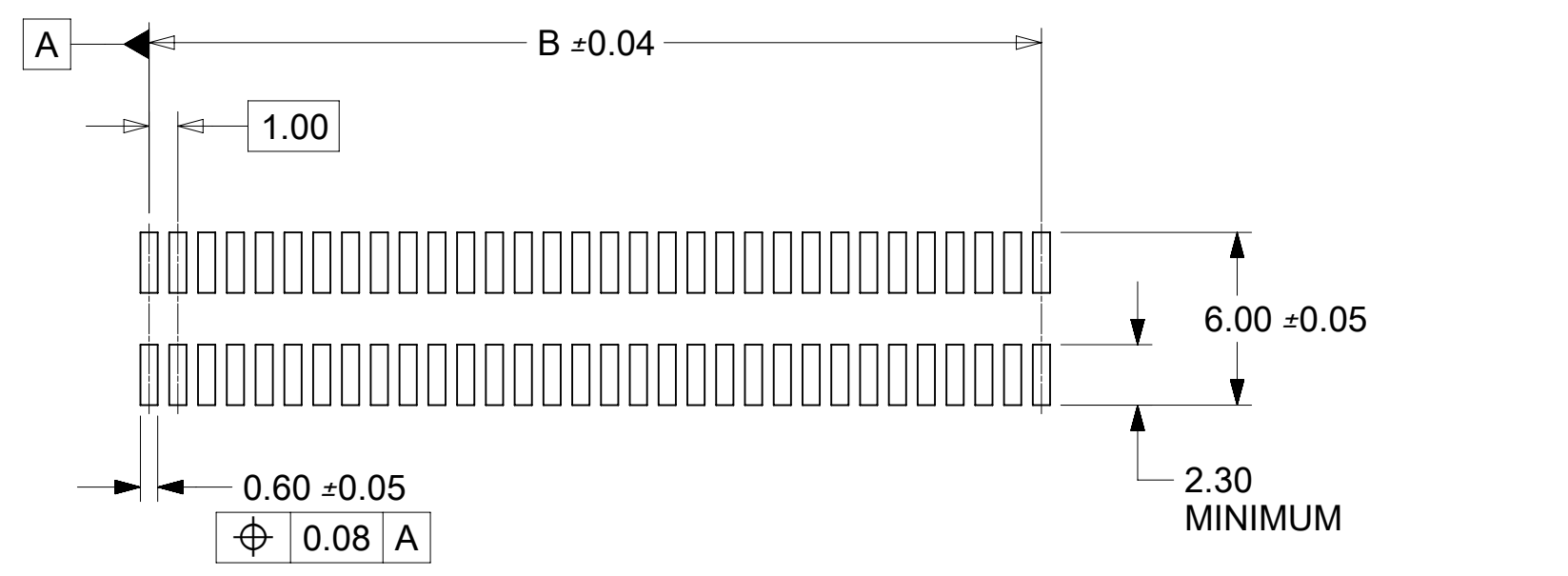
GADSL/IMDS	Compliant with Exemption 44; 34; 33
China RoHS	
EU ELV	Not Relevant
Low-Halogen Status	Low-Halogen per IEC 61249-2-21
REACH SVHC	Not Contained per D(2023)3788-DC (14 Jun 2023)
EU RoHS	Compliant per EU 2015/863

多部分产品合规性声明

- Eu RoHS
- REACH SVHC
- Low-Halogen



CIRCUIT SIZE	DIM.A	DIM.B	DIM.C	DIM.D
20	13.90	9.00	12.58	12.40
30	18.90	14.00	17.58	17.40
40	23.90	19.00	22.58	22.40
50	28.90	24.00	27.58	27.40
60	33.90	29.00	32.58	32.40
64	35.90	31.00	34.58	34.40
70	38.90	34.00	37.58	37.40
80	43.90	39.00	42.58	42.40
84	45.90	41.00	44.58	44.40
90	48.90	44.00	47.58	47.40
100	53.90	49.00	52.58	52.40
110	58.90	54.00	57.58	57.40
120	63.90	59.00	62.58	62.40



**RECOMMENDED PCB LAYOUT
(WITH AND WITHOUT PEGS)
RECOMMENDED PCB THICKNESS: 1.00±0.10 MINIMUM**

NOTES

- HOUSING MATERIAL: G.F. THERMOPLASTIC; UL RATING: 94V-0; COLOR: WHITE OR BLACK
TERMINAL MATERIAL: PHOSPHOR BRONZE; 0.205 THICK.
VACUUM CAP MATERIAL: STAINLESS STEEL; 0.255 THICK.
- PLATING FINISHES: SEE SHEET 2.
- THIS PART, WHEN MATED WITH MOLEX 1.0mm RECEPTACLE CONNECTOR SERIES 71439, CONFORMS TO MOLEX PRODUCT SPECIFICATION PS-71436-9999. REFER TO TABLE ON SHEET 2 FOR MATED STACK HEIGHTS FOR THIS PLUG.
- PACKAGING SPECIFICATIONS: REFER TO TABLE ON SHEET 2.
- PEGS ARE OPTIONAL. REFER TO TABLE ON SHEET 2.
- VACUUM PICK & PLACE CAP OPTIONAL. REFER TO TABLE ON SHEET 2.
- THIS PART CONFORMS TO EIA STANDARD 700 AAB FOR 1.0mm TWO-PART CONNECTORS FOR USE WITH PARALLEL PRINTED BOARDS.
- COPLANARITY OF SMT TAILS: 0.10 MAX.
- 64-CIRCUIT PLUG ASSEMBLY WITH PEGS AND VACUUM CAP SHOWN FOR ILLUSTRATION PURPOSES ONLY.
- DATE CODE STAMP IS WEEK, YEAR LOCATED APPROXIMATELY WHERE SHOWN.

THIS DRAWING CONTAINS INFORMATION THAT IS PROPRIETARY TO MOLEX ELECTRONIC TECHNOLOGIES, LLC AND SHOULD NOT BE USED WITHOUT WRITTEN PERMISSION									
DIMENSION UNITS		SCALE		CURRENT REV DESC: REDRAWN IN NX				molex	
mm		4:1							
GENERAL TOLERANCES (UNLESS SPECIFIED)				EC NO: 610884				SALES ASSY, 1.0MM BOARD TO BOARD PLUG CONNECTOR 4.30 STACK HEIGHT	
ANGULAR TOL ± 0.5°				DRWN: TTAO03 2019/01/23					
4 PLACES ±				CHK'D: JKACHLIC 2019/02/01				PRODUCT CUSTOMER DRAWING	
3 PLACES ±				APPR: JKACHLIC 2019/02/01					
2 PLACES ± 0.13				INITIAL REVISION:				DOCUMENT NUMBER	
1 PLACE ± 0.25				DRWN: REED 1995/04/03					
0 PLACES ±				APPR: BIXLER 1995/04/03				714362000	
DRAFT WHERE APPLICABLE MUST REMAIN WITHIN DIMENSIONS		THIRD ANGLE PROJECTION		DRAWING		SERIES		MATERIAL NUMBER	
				C-SIZE		71436		SEE TABLE	
								CUSTOMER	
								GENERAL MARKET	
								SHEET NUMBER	
								1 OF 2	

WHITE (NATURAL) MATERIAL

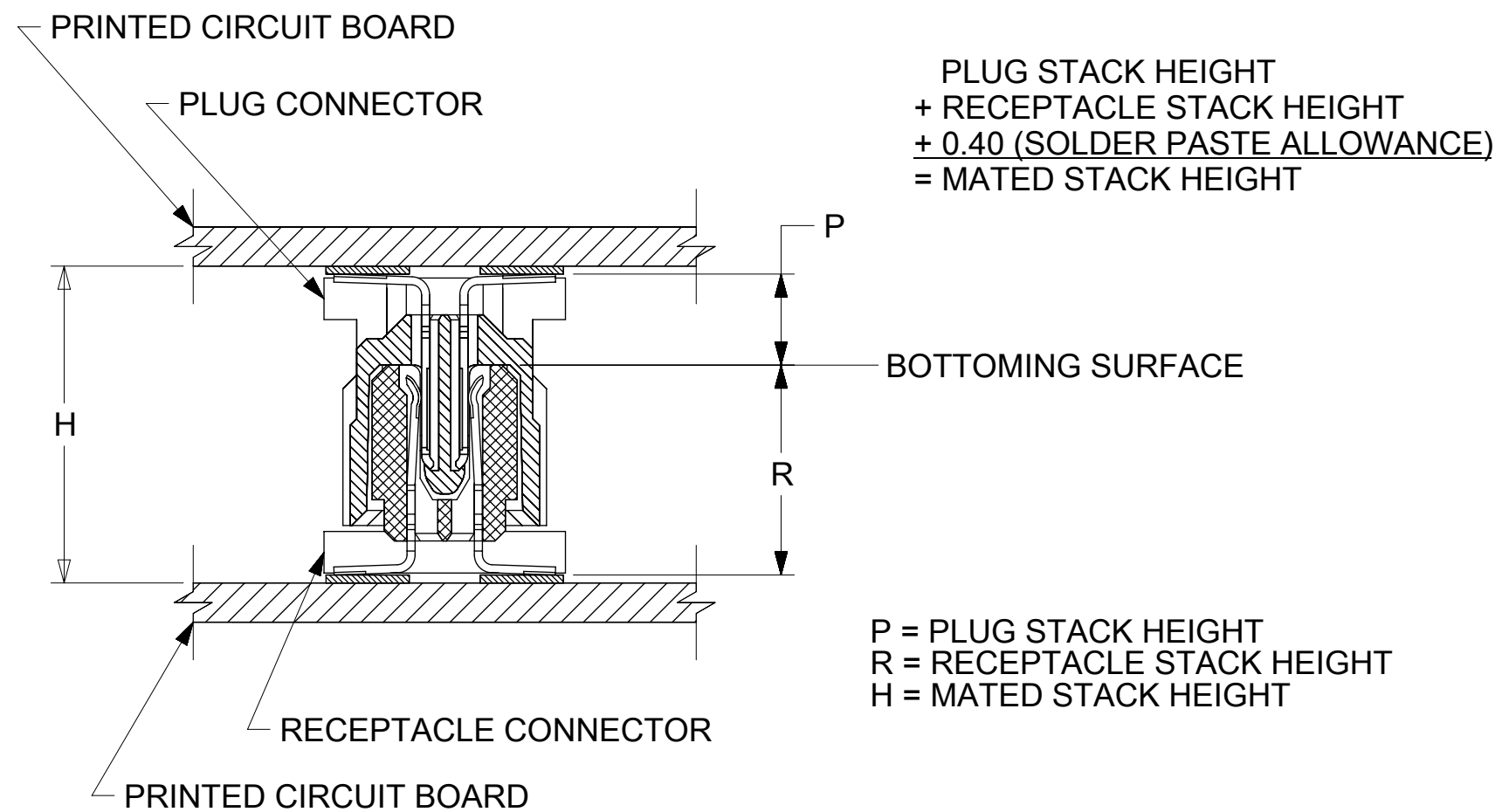
CIRCUIT SIZE	PLUG ASSY. PART NUMBER	PEGS	CONTACT PLATING SEE PLATING NOTES	PICK & PLACE CAP	PACKAGING SPEC. NUMBER	PACKAGING TYPE
64	71436-2164	YES	30 GOLD	NO	PK-70873-0607	TUBE
64	71436-2364	YES	30 GOLD	YES	PK-70873-0607	TUBE
64	71436-2464	YES	30 GOLD	YES	PK-70873-063	TAPE & REEL
64	71436-2564	NO	30 GOLD	NO	PK-70873-0606	TUBE
64	71436-2764	NO	30 GOLD	YES	PK-70873-0606	TUBE
64	71436-2864	NO	30 GOLD	YES	PK-70873-063	TAPE & REEL
64	71436-2264	NO	50 GOLD	YES	PK-70873-063	TAPE & REEL
64	71436-2664	YES	50 GOLD	NO	PK-70873-0607	TUBE
64	71436-2064	NO	50 GOLD	NO	PK-70873-0606	TUBE

BLACK MATERIAL WITH PICK & PLACE CAP

CIRCUIT SIZE	PLUG ASSY. PART NUMBER	PEGS	CONTACT PLATING SEE PLATING NOTES	PICK & PLACE CAP	PACKAGING SPEC. NUMBER	PACKAGING TYPE
64	71436-2964	NO	30 GOLD	YES	PK-70873-063	TAPE & REEL

RECOMMENDED PLUG/RECEPTACLE COMBINATION FOR MATED STACK HEIGHT PER EIA STANDARD 700 AAAB

MATED STACK HEIGHT	RECEPTACLE HEIGHT	RECEPTACLE SERIES NO.	PLUG HEIGHT	PLUG SERIES NO.
10.00	5.30	71439-0***	4.30	71436-2***
12.00	7.30	71439-1***		
13.00	8.30	71439-2***		
15.00	10.30	71439-3***		



PLATING PER ES-88

30 GOLD - 0.76 MICROMETERS MINIMUM GOLD IN CONTACT AREA AND 1.91 MICOMETERS MINIMUM MATTE TIN IN PC TAIL AREA OVER 1.27 MICROMETERS MINIMUM PLATING OVERALL.

50 GOLD - 1.27 MICROMETERS MINIMUM GOLD IN CONTACT AREA AND 1.91 MICOMETERS MINIMUM MATTE TIN IN PC TAIL AREA OVER 1.27 MICROMETERS MINIMUM PLATING OVERALL.

THIS DRAWING CONTAINS INFORMATION THAT IS PROPRIETARY TO MOLEX ELECTRONIC TECHNOLOGIES, LLC AND SHOULD NOT BE USED WITHOUT WRITTEN PERMISSION									
DIMENSION UNITS	SCALE	CURRENT REV DESC: REDRAWN IN NX							
mm	---								
GENERAL TOLERANCES (UNLESS SPECIFIED)		EC NO: 610884			SALES ASSY, 1.0MM BOARD TO BOARD PLUG CONNECTOR 4.30 STACK HEIGHT				
ANGULAR TOL	± 0.5°	DRWN: TTAO03 2019/01/23							
4 PLACES	±	CHK'D: JKACHLIC 2019/02/01			PRODUCT CUSTOMER DRAWING				
3 PLACES	±	APPR: JKACHLIC 2019/02/01							
2 PLACES	± 0.13	INITIAL REVISION:			DOCUMENT NUMBER: 714362000 DOC TYPE: PSD DOC PART: 000 REVISION: A1				
1 PLACE	± 0.25	DRWN: REED 1995/04/03							
0 PLACES	±	APPR: BIXLER 1995/04/03			MATERIAL NUMBER: SEE TABLE CUSTOMER: GENERAL MARKET SHEET NUMBER: 2 OF 2				
DRAFT WHERE APPLICABLE MUST REMAIN WITHIN DIMENSIONS		THIRD ANGLE PROJECTION	DRAWING	SERIES					
			C-SIZE	71436					

多部分行业合规性文件

- IPC 1752A Class C
- IPC 1752A Class D
- Molex Product Compliance Declaration
- IEC-62474
- chemSHERPA (xml)

欧盟 RoHS 合格证书

产品详情

常规

状态	活动
类别	Board-to-Board Connectors
系列	71436
说明	1.00mm Mezz (IEEE 1386) Plug, Surface Mount, Dual Row, Vertical Stacking, 64 Circuits, 8.35mm Unmated Height, with PCB Locator Pegs, with Robotic Placement Metal Cap, 0.76µm Gold (Au) Selective Plating, Embossed
应用	Board-to-Board, Signal
元件类型	PCB Header
产品系列	1.00mm Mezzanine (IEEE 1386)
产品名称	1.00mm Mezzanine (IEEE 1386)
UPC	800754235150

机构

CSA	LR19980
UL	E29179

电气

每触点最大电流	1.0A
电压 - 最大	100V

物理

断开	否
回路数 (已载入)	64
电路数 (最多)	64

颜色-树脂	Natural
阻燃性	94V-0
符合灼热丝规范	否
锁定插接部位	无
插配长度	10.00mm, 12.00mm, 13.00mm, 15.00mm
材料 - 金属	Phosphor Bronze
材料 - 接合部位电镀	金牌
材料 - 终端电镀	Tin
材料 - 树脂	High Temperature Thermoplastic
净重	1.500/g
行数	2
方向	垂直
包装形式	Embossed Tape on Reel
PCB 定位器	是
PCB 保持力	无
推荐的 PCB 厚度	1.00mm
间距 - 插配接口	1.00mm
最薄镀层 - 接合部位	0.762µm
最薄镀层 - 端接	1.905µm
有极性的插配件	否
自动布局	Pick and Place Cap
有护墙的	Fully
可堆叠的	否
运行温度范围	-55° to +85° C
终端界面类型	Surface Mount

进程

最长持续时间	40
无铅	REFLOW
最大周期	3
最高温度	260

可配插/可连接使用的产品

可配插部件

描述	产品编号
1.00mm Mezz (IEEE 1386) Vertical Receptacles	<u>71439</u>

This document was generated on Feb 28, 2024