



产品编号 : 756405001

系列号 : 75640

Product Category : High-Speed I/O Connectors

Product Description : Small Form-factor Pluggable (SFP) Stacked 2-by-1 Multi-Port Connector with 4 Lightpipes, with Press-fit PC Tails, 40 Circuits, Lead-Free

状态 : Active

文件和资源

图纸

图纸 756405001_sd.pdf

3D 模型和设计文件

3D模型 756405001_stp.zip

规格

应用规格 AS-75310-001-001.pdf


应用规格 AS-76090-001-001.pdf

包装规格 PK-75462-001-001.pdf

产品规格 PS-75310-001-001.pdf

产物环境合规

合规

GADSL/IMDS	Compliant with Exemption 44; 34; 33
China RoHS	
EU ELV	Not Relevant
Low-Halogen Status	Low-Halogen per IEC 61249-2-21
REACH SVHC	Not Contained per D(2021)10043-DC (17 Jan 2022)
EU RoHS	Compliant per EU 2015/863

多部分产品合规性声明

- Eu RoHS
- REACH SVHC
- Low-Halogen
- IPC 1752A Class C

- IPC 1752A Class D
- Molex Product Compliance Declaration
- IEC-62474
- chemSHERPA (xml)

欧盟 RoHS 合格证书

产品详情

常规

状态	活动
类别	高速连接器
系列	75640
说明	Small Form-factor Pluggable (SFP) Stacked 2-by-1 Multi-Port Connector with 4 Lightpipes, with Press-fit PC Tails, 40 Circuits, Lead-Free
应用	Module-to-Board
个评论	With 4 Lightpipes
元件类型	Receptacle
产品系列	SFP+ and SFP Interconnect Solutions
产品名称	SFP
类型	Pluggable
UPC	822350235419

机构

CSA	LR19980
UL	E29179

电气

每触点最大电流	0.5A
数据传输率	10.0 Gbps
屏蔽形式	EMI Fingers
屏蔽	是
电压 - 最大	30V

物理

回路数 (已载入)	40
电路数 (最多)	40
颜色-树脂	Black, Clear (Blue Tint)
耐用性(插拔次数) - 最多次数	200
阻燃性	94V-0
锁定插接部位	是
材料 - 金属	High Performance Alloy (HPA)
材料 - 接合部位电镀	金牌
材料 - 终端电镀	Tin
材料 - 树脂	High Temperature Thermoplastic, Polycarbonate
净重	28.326/g
方向	Right Angle
包装形式	Tray
面板安装式	否
PC 焊脚长度	3.05mm
PCB 定位器	是
PCB 保持力	是
推荐的 PCB 厚度	2.40mm
间距 - 插配接口	0.80mm
间距 - 终端界面	0.80mm
最薄镀层 - 接合部位	0.762 μ m
最薄镀层 - 端接	0.762 μ m
有极性的插配件	是
PCB 极性	是
运行温度范围	-40° to +85° C
终端界面类型	Through Hole - Compliant Pin
防水/防尘	否

进程

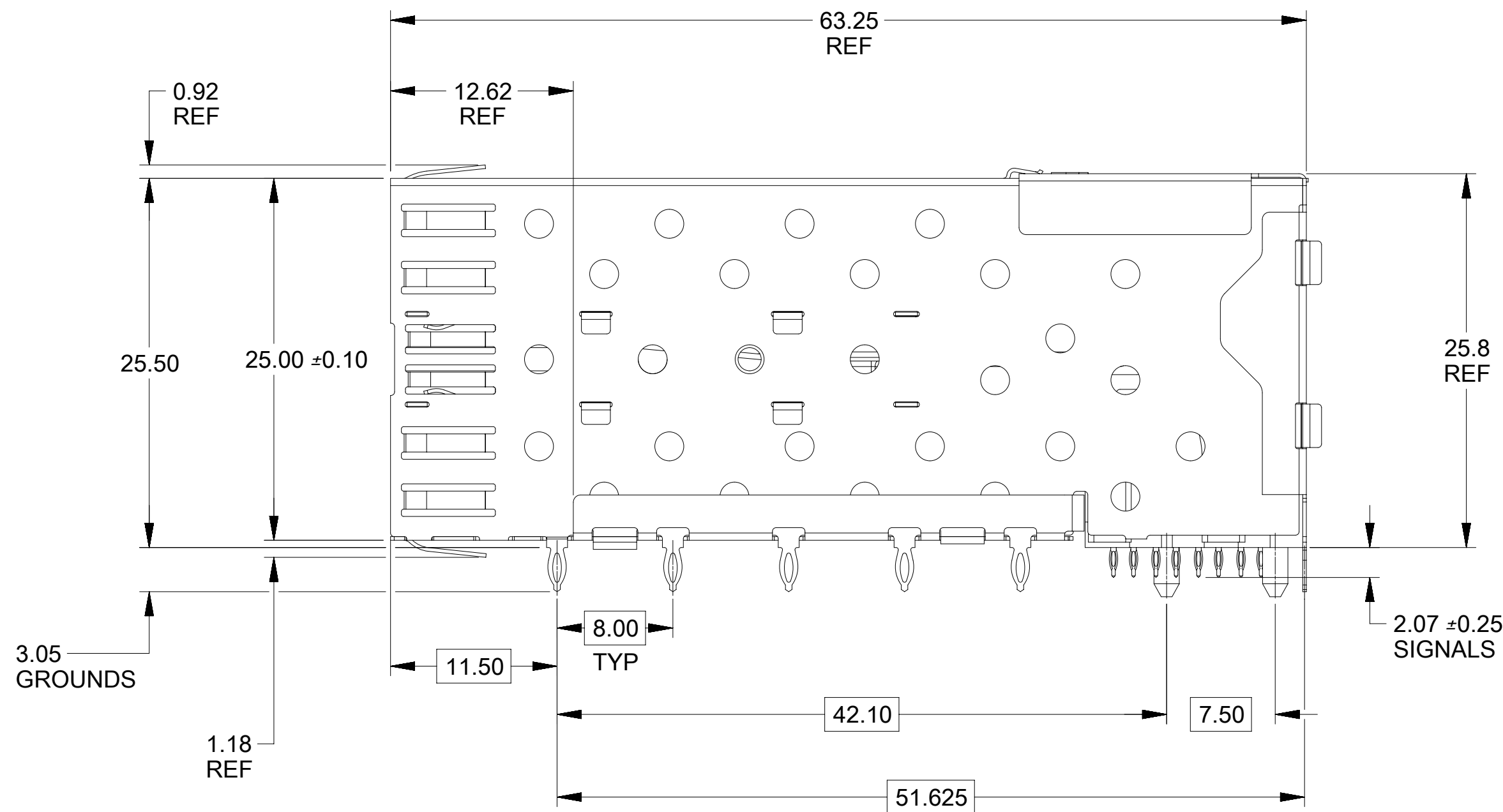
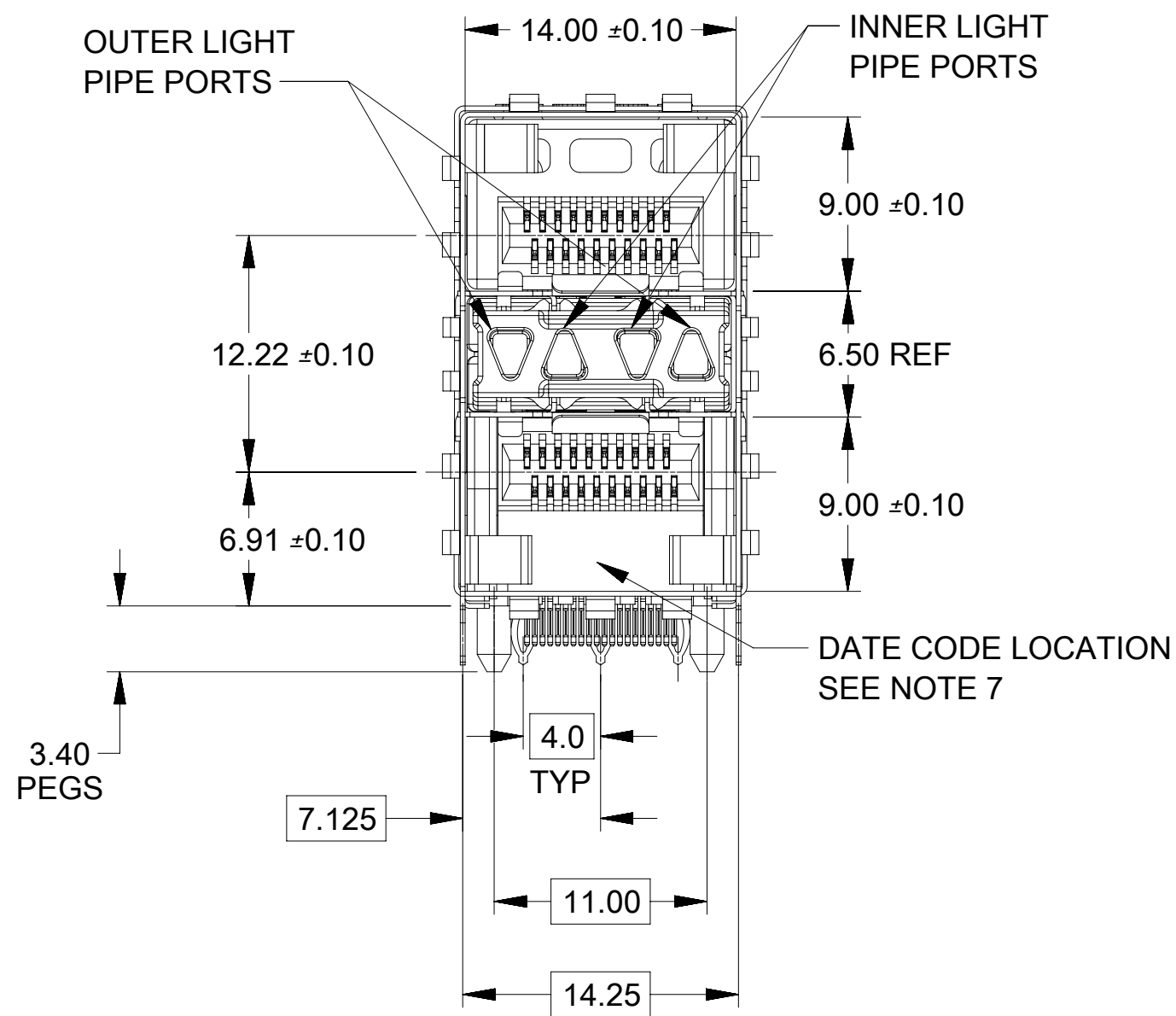
无铅	不适用
----	-----

施工工具

全局

描述	产品编号
Extraction Tool, 2 x 1 Medium	<u>622029930</u>

This document was generated on Jul 01, 2024



NOTES

1. MATERIAL:

CAGE: NICKEL SILVER, THICKNESS: 0.25mm
 CONNECTOR HOUSING: GLASS FILLED LIQUID CRYSTAL POLYMER (LCP), UL 94V-0, COLOR: BLACK
 OVERMOLD TERMINAL HOUSING: GLASS FILLED LIQUID CRYSTAL POLYMER (LCP), UL 94V-0, COLOR: BLACK
 TERMINALS: TIN BRASS
 LIGHTPIPE HOUSING: ZINC
 LIGHTPIPES: POLYCARBONATE, COLOR: CLEAR

2. FINISHES:

TERMINALS: CONTACT AREA: 0.76 MICROMETERS MINIMUM HARD GOLD OVER 1.27 MICROMETERS MINIMUM NICKEL.
 COMPLIANT TAIL - MATTE TIN/LEAD OPTION: 0.76 TO 1.52 MICROMETERS 90/10 MATTE TIN-LEAD OVER 0.76 MICROMETERS MINIMUM NICKEL.
 COMPLIANT TAIL - MATTE TIN OPTION: 0.76 TO 1.52 MICROMETERS MATTE TIN OVER 0.76 MICROMETERS MINIMUM NICKEL.

LIGHTPIPE HOUSING: 80 MICROMETERS MINIMUM NICKEL OVER COPPER

3. REFER TO PS-75310-001 PRODUCT SPEC FOR ALL ELECTRICAL, MECHANICAL, AND ENVIRONMENTAL SPECIFICATIONS.

4. LIGHTPIPE PAD LAYOUT IS FOR 0805 LOW-PROFILE LED PACKAGE, FOR OTHER RECOMMENDED LAYOUTS REFER TO MOLEX'S REPORT TS-75310-001.

5. REFER TO PK-75462-001 FOR ALL PACKAGING SPECIFICATIONS.

6. PART COMPLIES WITH COSMETIC SPECIFICATION PS-45499-002.

SEE SHEET 4 SECTION Z-Z FOR SURFACE CLASSIFICATIONS.

UNDERSIDE OF CAGE COMPLIES WITH CLASS "C".

7. DATE CODE LOCATION IS SHOWN ABOVE.

DATE CODE FORMAT: DDDY MX A1

DDD = DAY OF THE YEAR

Y = YEAR

MX = MOLEX

A = ALPHA CHARACTER - INDICATES MANUFACTURING LINE

1 = NUMERIC CHARACTER - INDICATES PRODUCTION SHIFT

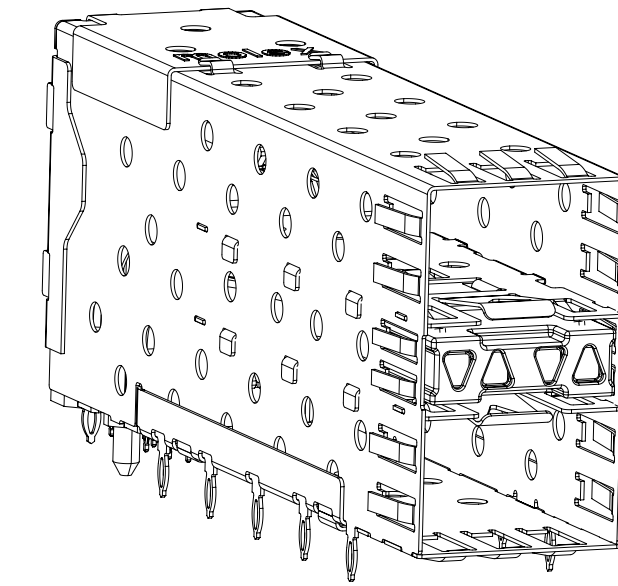
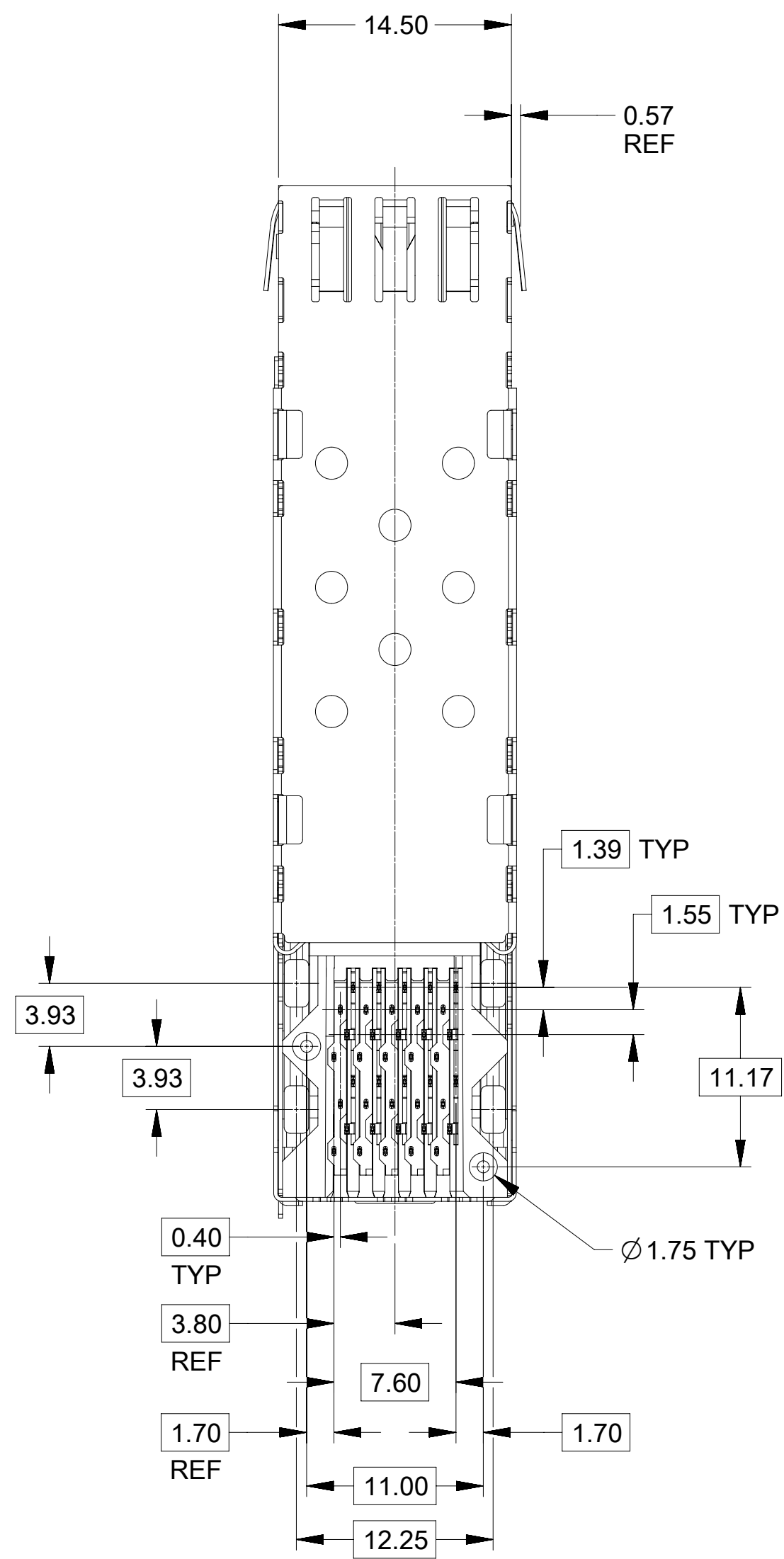
PART NUMBER	DESCRIPTION	VIEW	COMPLIANT TAIL PLATING
75640-0001	4 PORT LIGHT PIPE	SEE PG 2	TIN LEAD
75640-0002	INNER 2 PORTS	SEE PG 2	TIN LEAD
75640-0003	OUTER 2 PORTS	SEE PG 2	TIN LEAD
75640-5001	4 PORT LIGHT PIPE	SEE PG 2	TIN
75640-5002	INNER 2 PORTS	SEE PG 2	TIN
75640-5003	OUTER 2 PORTS	SEE PG 2	TIN

SYMBOLS	THIS DRAWING CONTAINS INFORMATION THAT IS PROPRIETARY TO MOLEX ELECTRONIC TECHNOLOGIES, LLC AND SHOULD NOT BE USED WITHOUT WRITTEN PERMISSION		
	DIMENSION UNITS	SCALE	CURRENT REV DESC: UPDATE TO NEW TAILS
▽ = 0	mm	3:1	EC NO: 600319 DRWN: SVANG01 2018/06/04 CHK'D: RWHIPPLE 2018/06/05 APPR: CHIRSCHY 2018/06/05
▽ = 0	GENERAL TOLERANCES (UNLESS SPECIFIED)		
▽ = 0	ANGULAR TOL ± 5.0°		INITIAL REVISION: DRWN: JLONG 2004/10/21 APPR: RNELSON 2004/10/28
▽ = 0	4 PLACES	±	
▽ = 0	3 PLACES	±	DOCUMENT NUMBER SD-75640-001 DOC TYPE PSD DOC PART 001 REVISION H
▽ = 0	2 PLACES	± 0.13	
▽ = 0	1 PLACE	± 0.25	MATERIAL NUMBER CUSTOMER GENERAL MARKET SHEET NUMBER 1 OF 4
▽ = 0	0 PLACES	±	
▽ = 0	DRAFT WHERE APPLICABLE MUST REMAIN WITHIN DIMENSIONS	THIRD ANGLE PROJECTION	DRAWING C-SIZE
▽ = 0			SERIES 75640

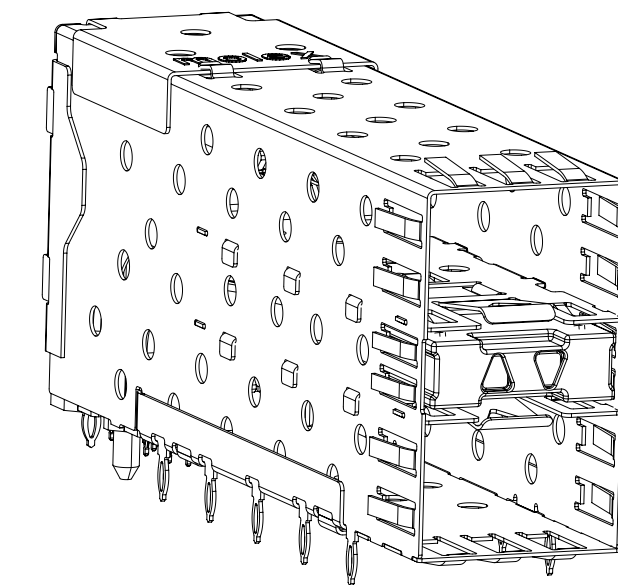
molex

STACKED SFP 2X1 MEDIUM HEIGHT ASSY, PRESS-FIT TAILS WITH LIGHT PIPES

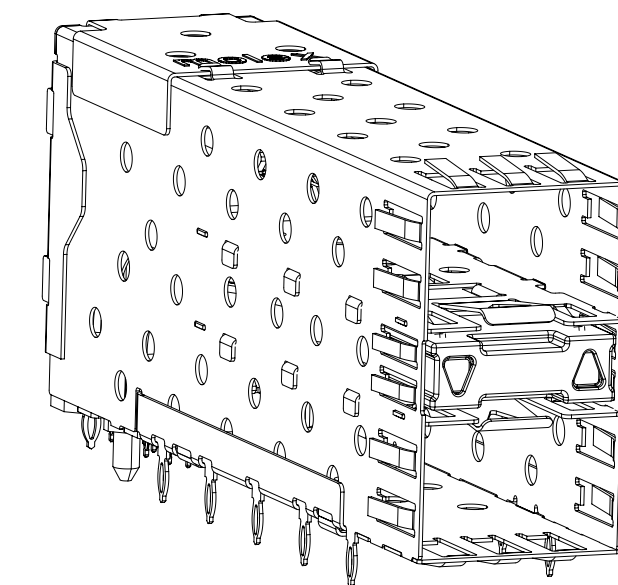
PRODUCT CUSTOMER DRAWING



756400001 & 756405001
WITH 4 LIGHT PIPE PORTS

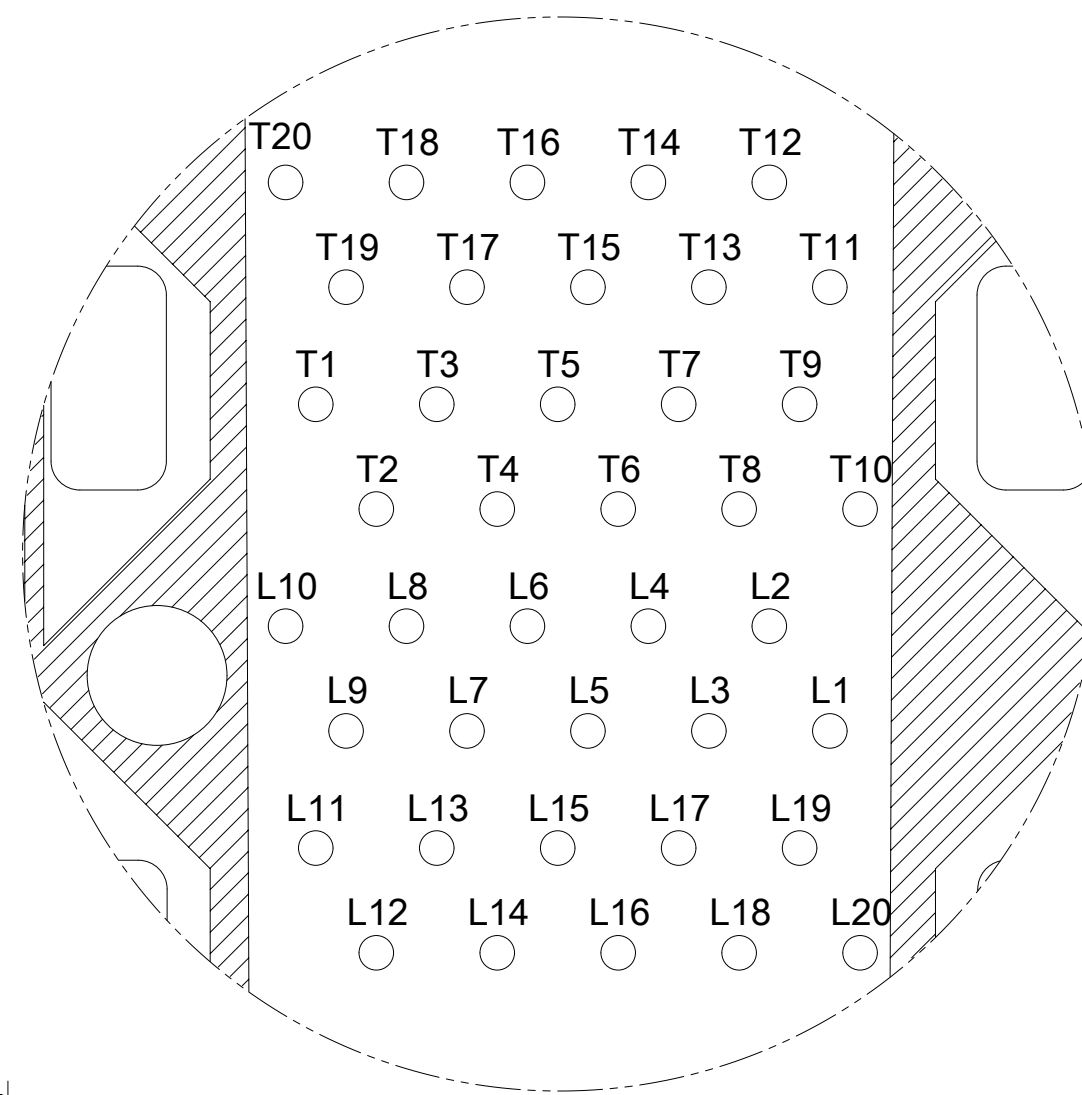


756400002 & 756405002
WITH INNER LIGHT PIPE PORTS

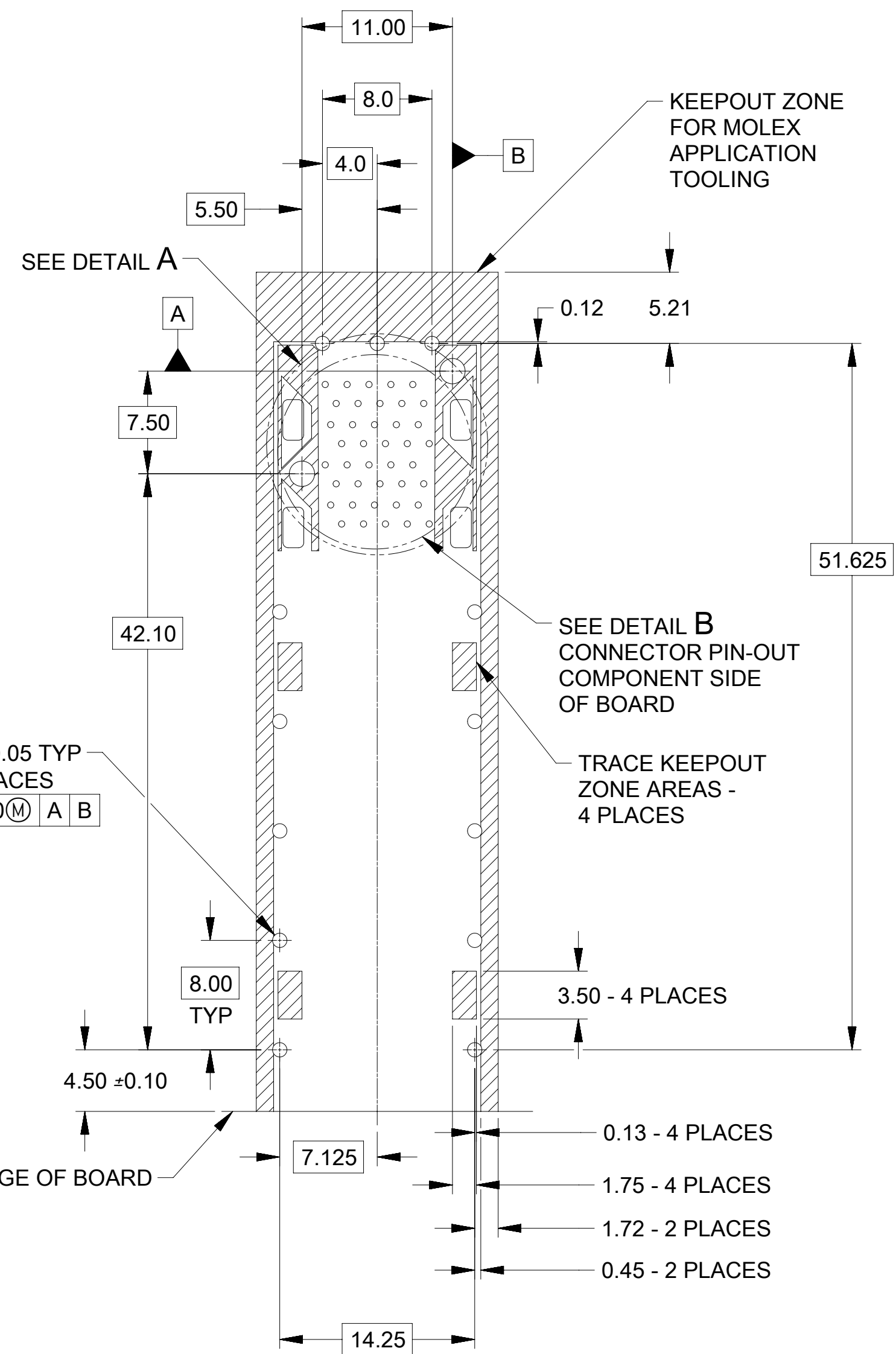


756400003 & 756405003
WITH OUTER LIGHT PIPE PORTS

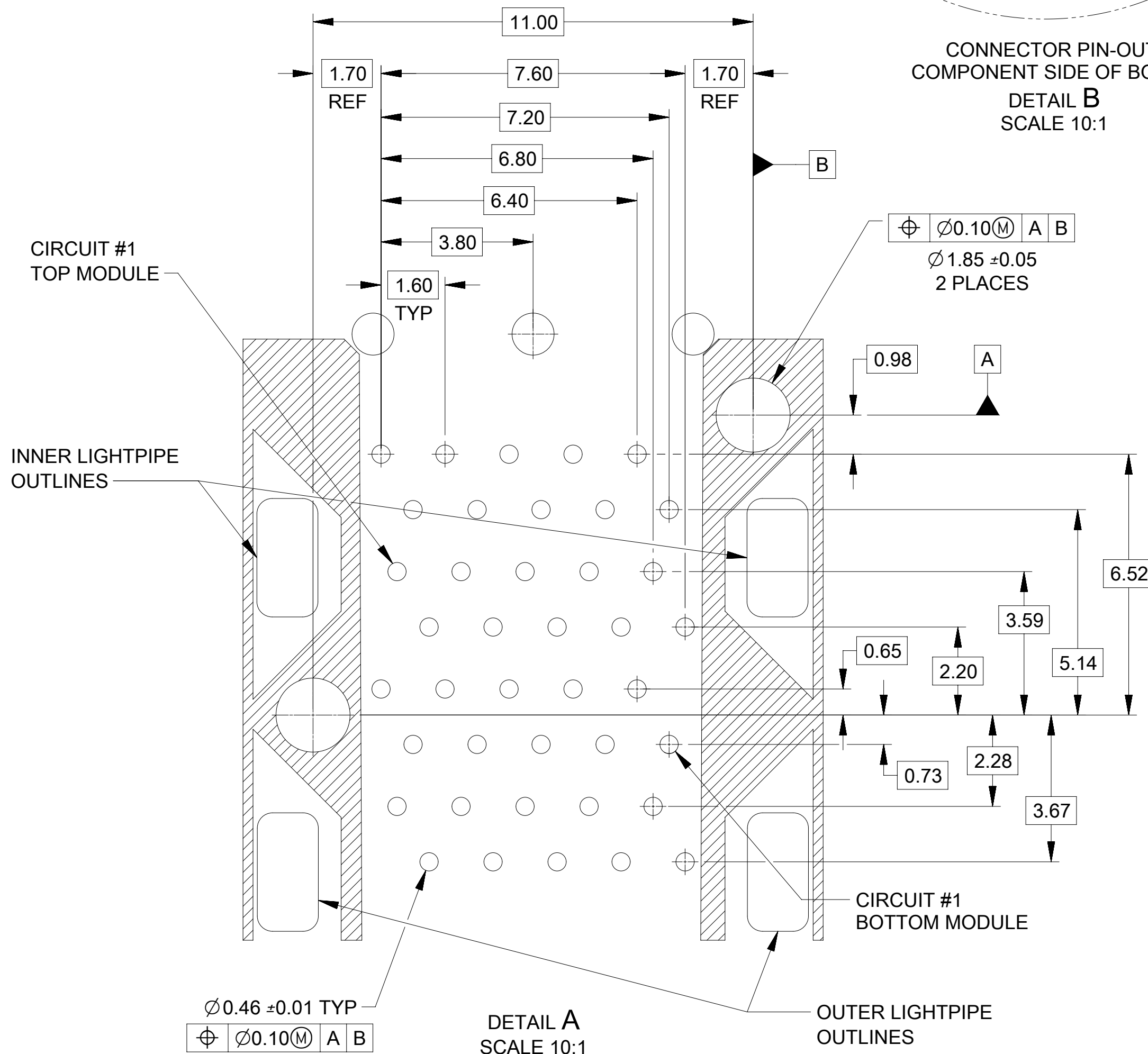
SYMBOLS		THIS DRAWING CONTAINS INFORMATION THAT IS PROPRIETARY TO MOLEX ELECTRONIC TECHNOLOGIES, LLC AND SHOULD NOT BE USED WITHOUT WRITTEN PERMISSION	
DIMENSION UNITS	SCALE	CURRENT REV DESC: UPDATE TO NEW TAILS	
$\nabla = 0$	mm	3:1	molex STACKED SFP 2X1 MEDIUM HEIGHT ASSY, PRESS-FIT TAILS WITH LIGHT PIPES PRODUCT CUSTOMER DRAWING
$\nabla = 0$	GENERAL TOLERANCES (UNLESS SPECIFIED)		
$\nabla = 0$	ANGULAR TOL $\pm 5.0^\circ$		
$\nabla = 0$	4 PLACES	\pm	
$\nabla = 0$	3 PLACES	\pm	
$\nabla = 0$	2 PLACES	± 0.13	EC NO: 600319 DRWN: SVANG01 2018/06/04 CHK'D: RWHIPPLE 2018/06/05 APPR: CHIRSCHY 2018/06/05
$\nabla = 0$	1 PLACE	± 0.25	INITIAL REVISION: DRWN: JLONG 2004/10/21 APPR: RNELSON 2004/10/28
$\nabla = 0$	0 PLACES	\pm	DOCUMENT NUMBER: SD-75640-001 DOC TYPE: PSD DOC PART: 001 REVISION: H
$\nabla = 0$	DRAFT WHERE APPLICABLE MUST REMAIN WITHIN DIMENSIONS	THIRD ANGLE PROJECTION	MATERIAL NUMBER: GENERAL MARKET CUSTOMER: GENERAL MARKET SHEET NUMBER: 2 OF 4
$\nabla = 0$		C-SIZE	75640



CONNECTOR PIN-OUT
COMPONENT SIDE OF BOARD
DETAIL B
SCALE 10:1



RECOMMENDED PCB LAYOUT - COMPONENT SIDE
RECOMMENDED PCB THICKNESS: 2.36 MM (.093 INCH)
(MINIMUM PCB THICKNESS: 1.57)
THE ENTIRE AREA OF THE CONNECTOR FOOTPRINT
TO BE CONSIDERED THE KEEP OUT AREA FOR COMPONENTS



DETAIL A
SCALE 10:1

SYMBOLS				THIS DRAWING CONTAINS INFORMATION THAT IS PROPRIETARY TO MOLEX ELECTRONIC TECHNOLOGIES, LLC AND SHOULD NOT BE USED WITHOUT WRITTEN PERMISSION			
▽ = 0	▽ = 0	▽ = 0	▽ = 0	DIMENSION UNITS	SCALE	CURRENT REV DESC: UPDATE TO NEW TAILS	
▽ = 0	▽ = 0	▽ = 0	▽ = 0	mm	3:1		
▽ = 0	▽ = 0	▽ = 0	▽ = 0	GENERAL TOLERANCES (UNLESS SPECIFIED)			EC NO: 600319 DRWN: SVANG01 2018/06/04 CHK'D: RWHIPPLE 2018/06/05 APPR: CHIRSCHY 2018/06/05
▽ = 0	▽ = 0	▽ = 0	▽ = 0	ANGULAR TOL ± 5.0°			
▽ = 0	▽ = 0	▽ = 0	▽ = 0	4 PLACES	±	INITIAL REVISION:	
▽ = 0	▽ = 0	▽ = 0	▽ = 0	3 PLACES	±	DRWN: JLONG 2004/10/21	
▽ = 0	▽ = 0	▽ = 0	▽ = 0	2 PLACES	± 0.13	APPR: RNELSON 2004/10/28	
▽ = 0	▽ = 0	▽ = 0	▽ = 0	1 PLACE	± 0.25	DRAWING SERIES	
▽ = 0	▽ = 0	▽ = 0	▽ = 0	0 PLACES	±	C-SIZE	75640
▽ = 0	▽ = 0	▽ = 0	▽ = 0	DRAFT WHERE APPLICABLE MUST REMAIN WITHIN DIMENSIONS		THIRD ANGLE PROJECTION	MATERIAL NUMBER
▽ = 0	▽ = 0	▽ = 0	▽ = 0			CUSTOMER	SHEET NUMBER
						GENERAL MARKET	3 OF 4

molex

STACKED SFP 2X1 MEDIUM
HEIGHT ASSY, PRESS-FIT TAILS WITH LIGHT PIPES

PRODUCT CUSTOMER DRAWING

DOCUMENT NUMBER
SD-75640-001

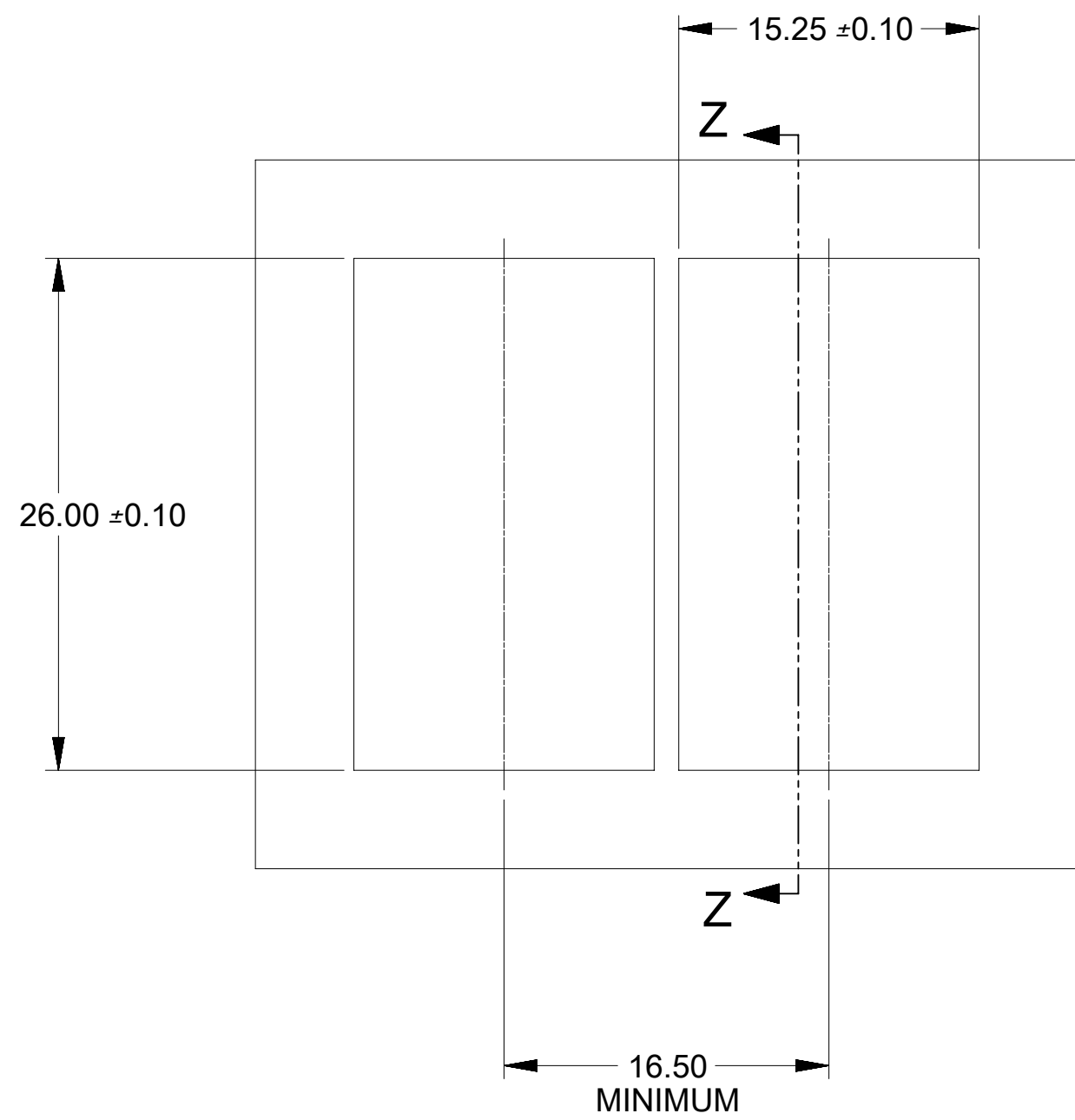
DOC TYPE
PSD

DOC PART
001

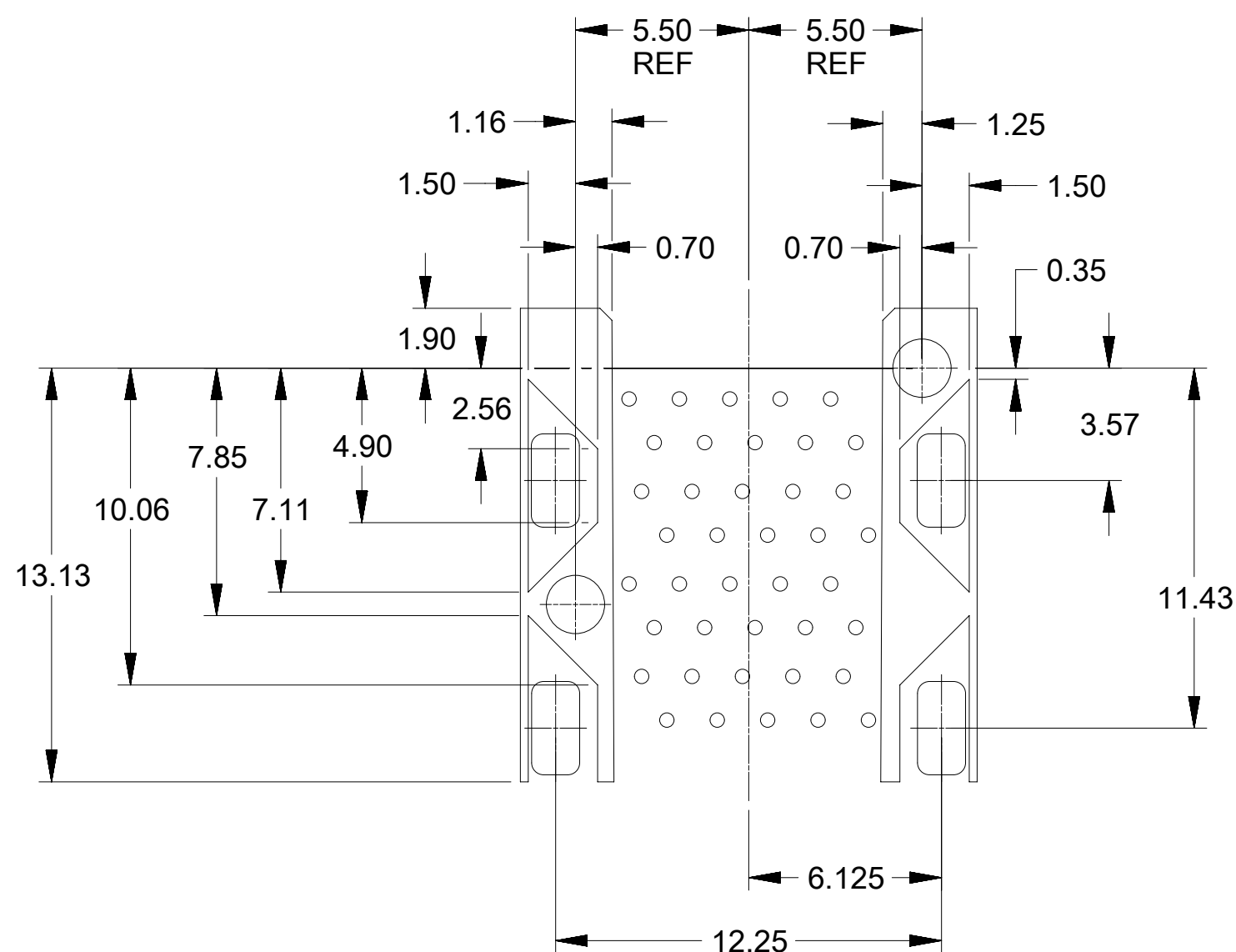
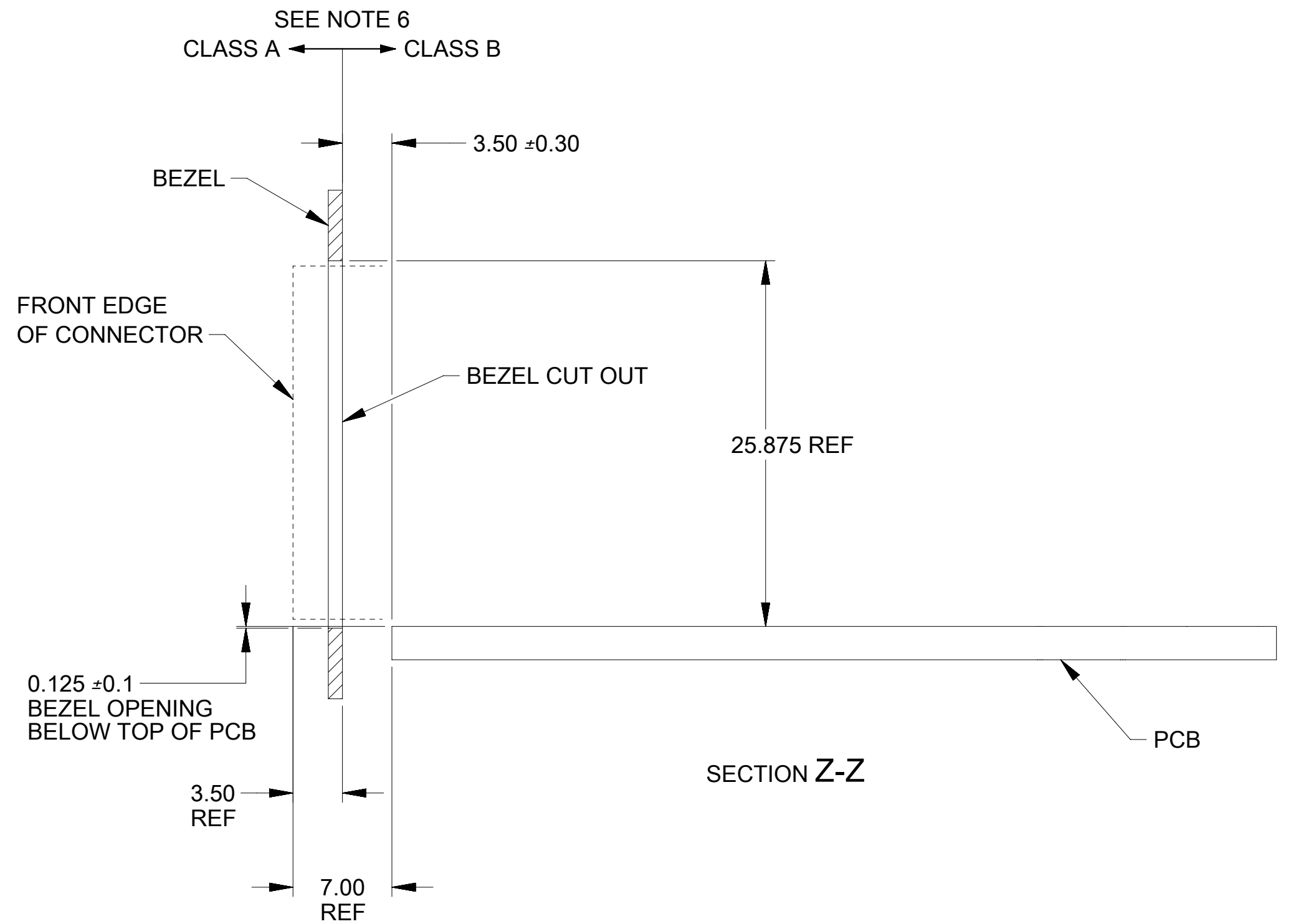
REVISION
H

CUSTOMER
GENERAL MARKET

SHEET NUMBER
3 OF 4

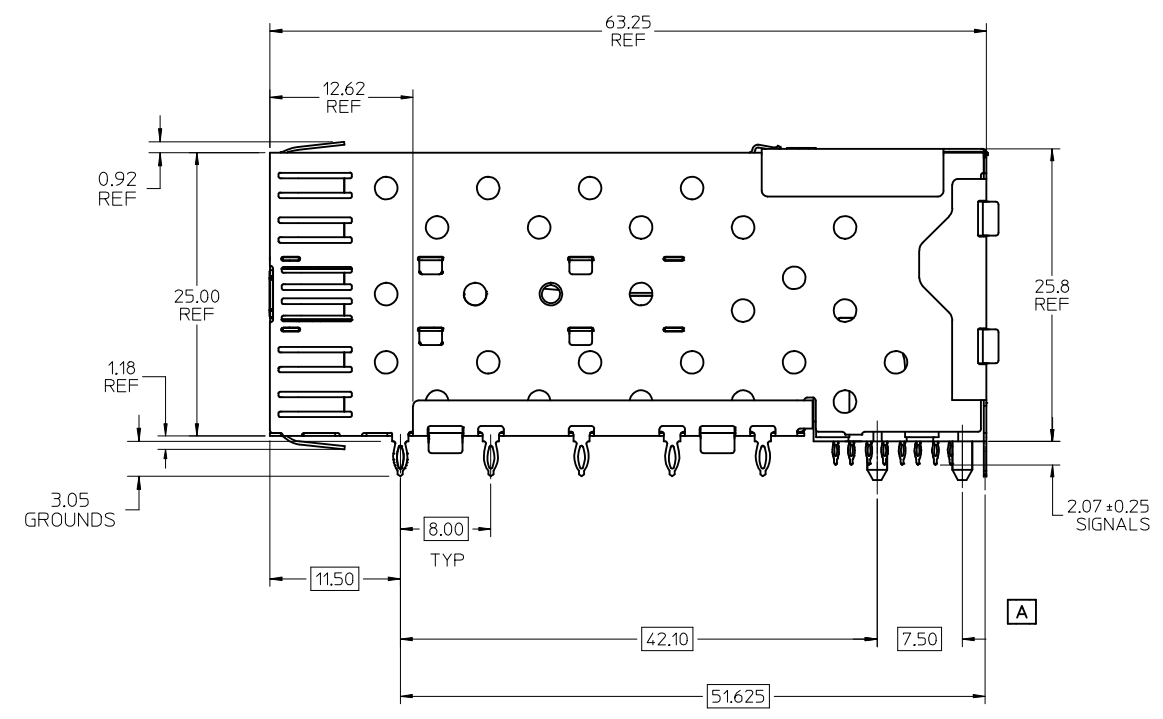
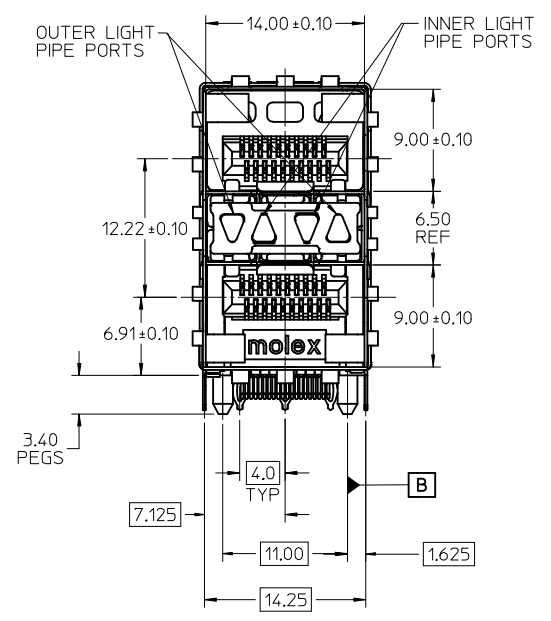


BEZEL CUT-OUT CENTER SPACIING DETAIL
BEZEL THICKNESS 0.8 - 2.6



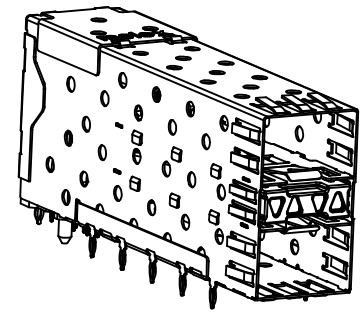
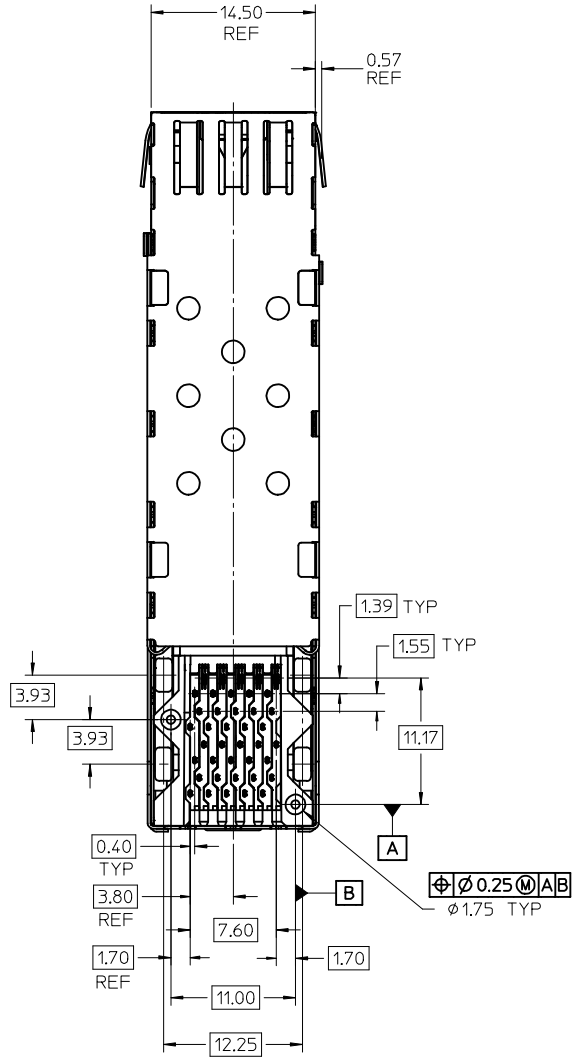
KEEP-OUT ZONE DETAIL
SCALE 5:1

THIS DRAWING CONTAINS INFORMATION THAT IS PROPRIETARY TO MOLEX ELECTRONIC TECHNOLOGIES, LLC AND SHOULD NOT BE USED WITHOUT WRITTEN PERMISSION									
SYMBOLS	DIMENSION UNITS	SCALE	CURRENT REV DESC: UPDATE TO NEW TAILS						
▽ = 0	mm	3:1	molex STACKED SFP 2X1 MEDIUM HEIGHT ASSY, PRESS-FIT TAILS WITH LIGHT PIPES						
▽ = 0	GENERAL TOLERANCES (UNLESS SPECIFIED)								
▽ = 0	ANGULAR TOL ± 5.0°		EC NO: 600319 DRWN: SVANG01 2018/06/04 CHK'D: RWHIPPLE 2018/06/05 APPR: CHIRSCHY 2018/06/05						
▽ = 0	4 PLACES ±		INITIAL REVISION: DRWN: JLONG 2004/10/21 APPR: RNELSON 2004/10/28						
▽ = 0	3 PLACES ±								
▽ = 0	2 PLACES ± 0.13		PRODUCT CUSTOMER DRAWING DOCUMENT NUMBER: SD-75640-001 DOC TYPE: PSD DOC PART: 001 REVISION: H						
▽ = 0	1 PLACE ± 0.25								
⊠ = 0	0 PLACES ±		MATERIAL NUMBER: GENERAL MARKET CUSTOMER: GENERAL MARKET SHEET NUMBER: 4 OF 4						
■ = 0	DRAFT WHERE APPLICABLE MUST REMAIN WITHIN DIMENSIONS								
▽ = 0	THIRD ANGLE PROJECTION		DRAWING: C-SIZE		SERIES: 75640				

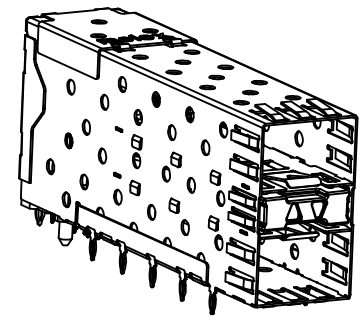


PART NUMBER	DESCRIPTION	VIEW	COMPLIANT TAIL PLATING
75640-2001	4 PORT LIGHT PIPE	SEE PG 2	TIN
	INNER 2 PORTS	SEE PG 2	TIN
	OUTER 2 PORTS	SEE PG 2	TIN

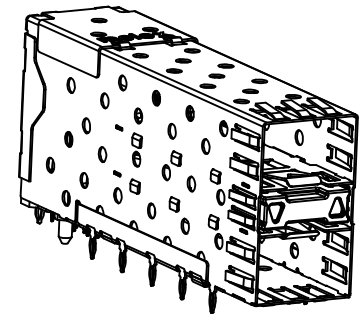
UPDATE ISO VIEWS EC NO: UCP2015-5229 DRWNSVANG01 2015/06/17 CHKD:BBARKER 2015/06/17 APPR:SMILLER 2015/06/30	QUALITY SYMBOLS	GENERAL TOLERANCES (UNLESS SPECIFIED)	DIMENSION STYLE	SCALE	DESIGN UNITS	THIRD ANGLE PROJECTION
	▽=0	mm INCH	MM ONLY	3:1	METRIC	
	▽=0	4 PLACES ± --- ± ---	DRAWN BY DATE			TITLE
	▽=0	3 PLACES ± --- ± ---	BBARKER 2009/11/06	CHECKED BY DATE		
		2 PLACES ± 0.13 ± ---	MIBARRA 2009/11/06	APPROVED BY DATE		molex
		1 PLACE ± 0.25 ± ---	SMILLER 2010/12/09			DOCUMENT NO. SD-75640-004
		0 PLACE ± --- ± ---				SHEET NO. 1 OF 4
		ANGULAR ± 5 °	MATERIAL NO.			
		DRAFT WHERE APPLICABLE MUST REMAIN WITHIN DIMENSIONS	SEE CHART			
			SIZE	THIS DRAWING CONTAINS INFORMATION THAT IS PROPRIETARY TO MOLEX INCORPORATED AND SHOULD NOT BE USED WITHOUT WRITTEN PERMISSION		



756402001
WITH 4 LIGHT PIPE PORTS

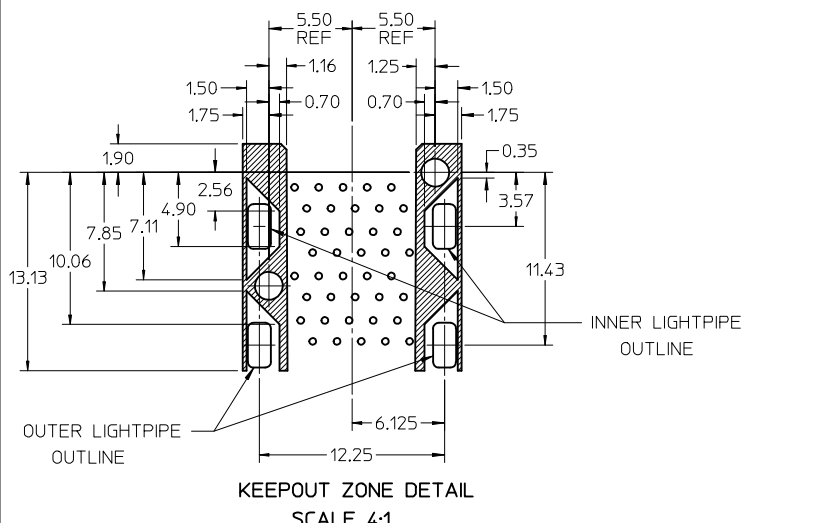
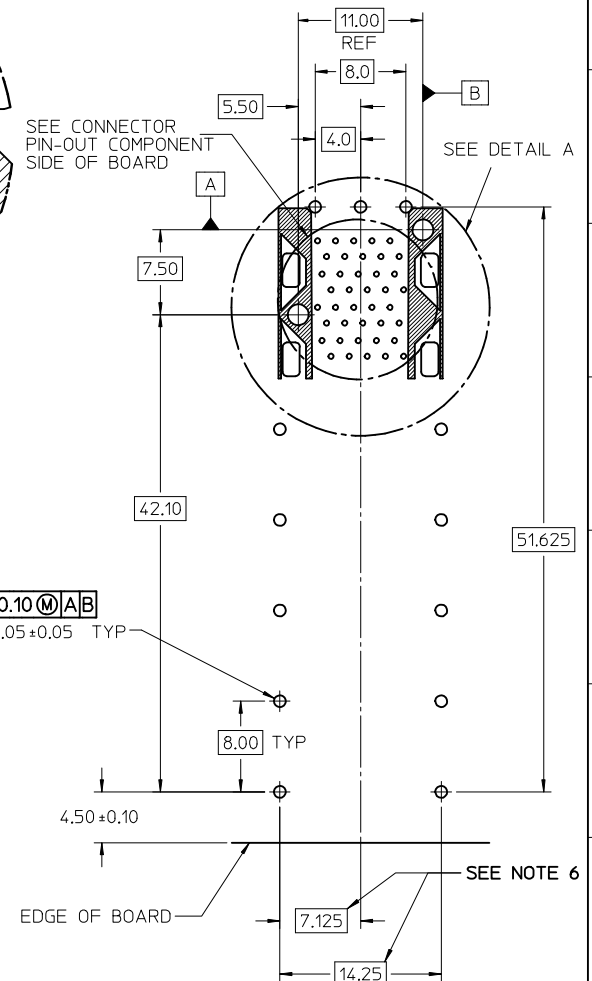
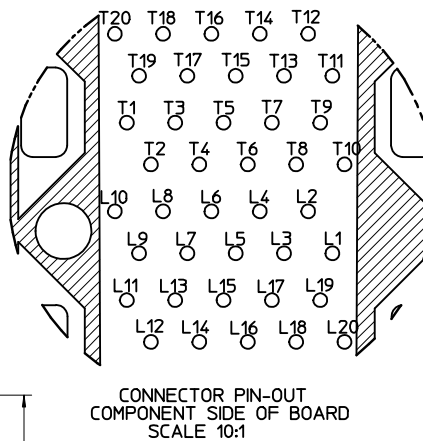
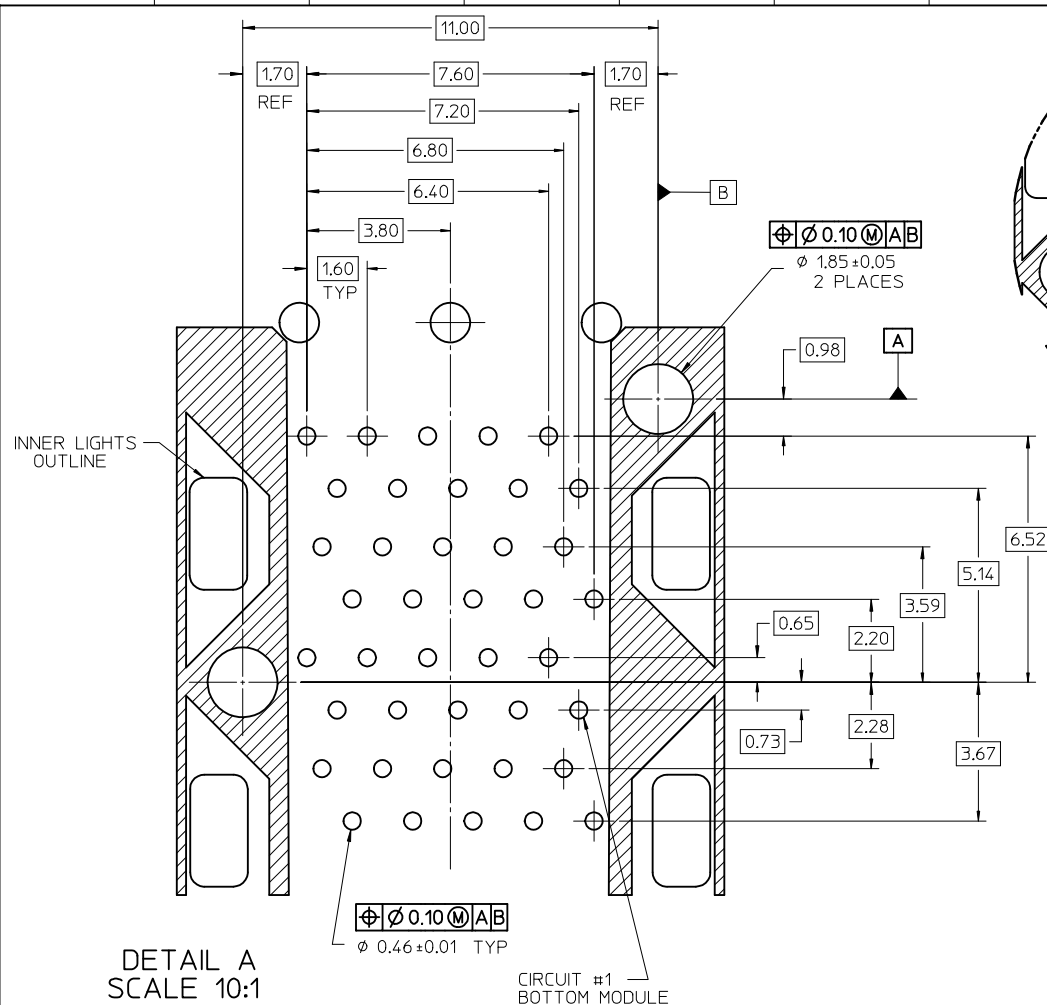


WITH INNER LIGHT PIPE PORTS

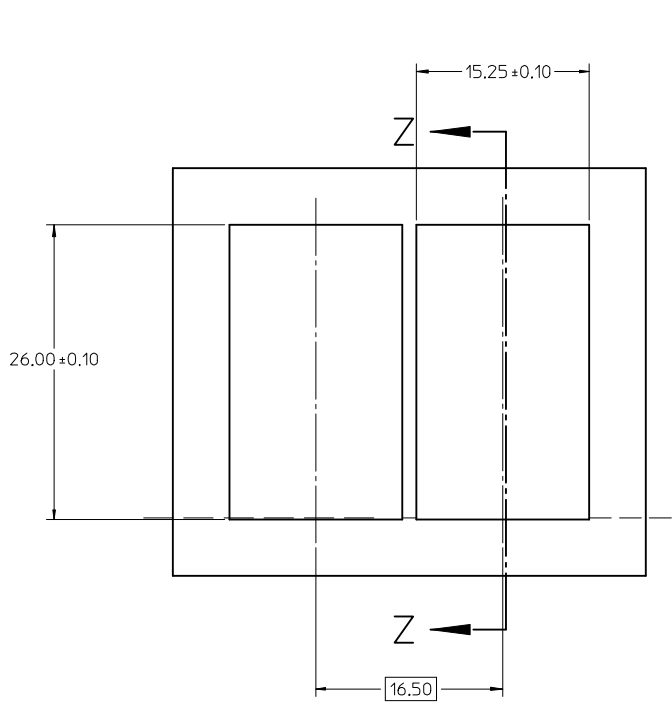


WITH OUTER LIGHT PIPE PORTS

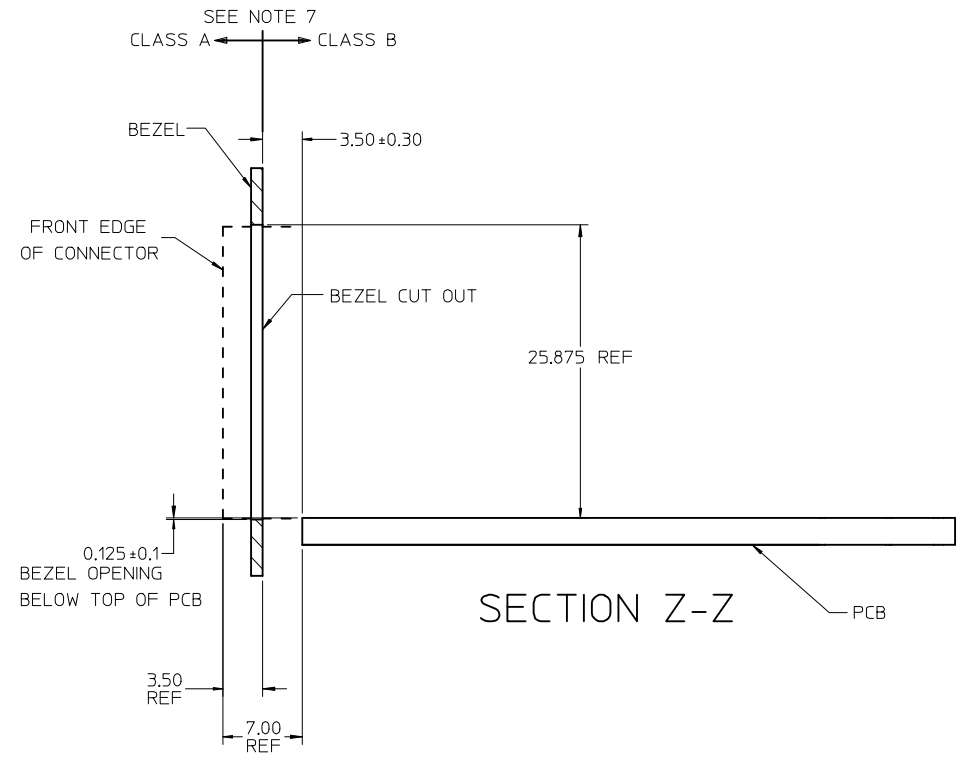
SEE SHEET 1 EC NO: UCP2015-5229 DRWNSYANG01 2015/06/17 CHKD:BBARKER 2015/06/17 APPR:SMILLER 2015/06/30	QUALITY SYMBOLS ▽=0 ▽=0 ▽=0	GENERAL TOLERANCES (UNLESS SPECIFIED)		DIMENSION STYLE MM ONLY		SCALE 3:1	DESIGN UNITS METRIC	THIRD ANGLE PROJECTION		
		4 PLACES ± --- ± ---	3 PLACES ± --- ± ---	2 PLACES ± 0.13 ± ---	1 PLACE ± 0.25 ± ---	0 PLACE ± --- ± ---	DRAWN BY BBARKER 2009/11/06		TITLE STACKED SFP 2X1 MEDIUM HEIGHT ASS'Y, PRESS-FIT TAILS WITH LIGHT PIPES molex	
		CHECKED BY MIBARRA 2009/11/06		APPROVED BY SMILLER 2010/12/09		DATE				
		ANGULAR ± 5 °		DRAFT WHERE APPLICABLE MUST REMAIN WITHIN DIMENSIONS		MATERIAL NO. SEE SHEET 1		DOCUMENT NO. SD-75640-004		SHEET NO. 2 OF 4
THIS DRAWING CONTAINS INFORMATION THAT IS PROPRIETARY TO MOLEX INCORPORATED AND SHOULD NOT BE USED WITHOUT WRITTEN PERMISSION										



SEE SHEET 1 EC NO: UCP2015-5229 DRWNSVANG01 2015/06/17 CHKD:BBARKER 2015/06/17 APPR:SMILLER 2015/06/30	QUALITY SYMBOLS ▽=0 ▽=0 ▽=0	GENERAL TOLERANCES (UNLESS SPECIFIED)		DIMENSION STYLE MM ONLY		SCALE 3:1	DESIGN UNITS METRIC	THIRD ANGLE PROJECTION	
		mm	INCH	DRAWN BY BBARKER	DATE 2009/11/06	TITLE STACKED SFP 2X1 MEDIUM HEIGHT ASS'Y, PRESS-FIT TAILS WITH LIGHT PIPES	molex		
D	DESCRIPTION	4 PLACES ± --- ± ---		CHECKED BY MIBARRA	DATE 2009/11/06	DOCUMENT NO. SD-75640-004			
		3 PLACES ± --- ± ---		APPROVED BY SMILLER	DATE 2010/12/09	MATERIAL NO.			
		2 PLACES ± 0.13 ± ---		SEE SHEET 1					
		1 PLACE ± 0.25 ± ---		THIS DRAWING CONTAINS INFORMATION THAT IS PROPRIETARY TO MOLEX INCORPORATED AND SHOULD NOT BE USED WITHOUT WRITTEN PERMISSION					
		0 PLACE ± --- ± ---							
		ANGULAR ± 5 °							
		DRAFT WHERE APPLICABLE MUST REMAIN WITHIN DIMENSIONS							



BEZEL CUT-OUT CENTER SPACING DETAIL
BEZEL THICKNESS 0.8-2.6



SEE SHEET 1 EC NO: UCP2015-5229 DRWNS:VANG01 2015/06/17 CHKD:BBARKER 2015/06/17 APPR:SMILLER 2015/06/30	QUALITY SYMBOLS	GENERAL TOLERANCES (UNLESS SPECIFIED)		DIMENSION STYLE MM ONLY		SCALE 3:1	DESIGN UNITS METRIC	THIRD ANGLE PROJECTION
	▽=0	mm	INCH	DRAWN BY BBARKER	DATE 2009/11/06	TITLE STACKED SFP 2X1 MEDIUM HEIGHT ASS'Y, PRESS-FIT TAILS WITH LIGHT PIPES molex		
	▽=0	4 PLACES ± ---	± ---	CHECKED BY MIBARRA	DATE 2009/11/06			
	▽=0	DRAFT WHERE APPLICABLE MUST REMAIN WITHIN DIMENSIONS		APPROVED BY SMILLER		DATE 2010/12/09	DOCUMENT NO. SD-75640-004	SHEET NO. 4 OF 4
REV	DESCRIPTION	ANGULAR ± 5 °		MATERIAL NO.		THIS DRAWING CONTAINS INFORMATION THAT IS PROPRIETARY TO MOLEX INCORPORATED AND SHOULD NOT BE USED WITHOUT WRITTEN PERMISSION		