



产品编号 : 757145001

系列号 : 75714

Product Category : High-Speed I/O Connectors

Product Description : Small Form-factor Pluggable (SFP) Stacked 2-by-2 Multi-Port Connector with 4 Lightpipes, with Press-fit PC Tails, 80 Circuits, Lead-Free

状态 : Active

文件和资源

图纸

图纸 757145001_sd.pdf

3D 模型和设计文件

3D模型 757145001_stp.zip

规格

应用规格 AS-75310-001-001.pdf


应用规格 AS-76090-001-001.pdf

包装规格 PK-75714-001-001.pdf

产品规格 PS-75310-001-001.pdf

产物环境合规

合规

GADSL/IMDS	Not Relevant
China RoHS	
EU ELV	Not Relevant
Low-Halogen Status	Low-Halogen per IEC 61249-2-21
REACH SVHC	Not Contained per D(2023)8585-DC (23 Jan 2024)
EU RoHS	Compliant per EU 2015/863

多部分产品合规性声明

- Eu RoHS
- REACH SVHC
- Low-Halogen

- IPC 1752A Class C
- IPC 1752A Class D

- Molex Product Compliance Declaration

- IEC-62474

- chemSHERPA (xml)

欧盟 RoHS 合格证书

产品详情

常规

状态	活动
类别	高速连接器
系列	75714
说明	Small Form-factor Pluggable (SFP) Stacked 2-by-2 Multi-Port Connector with 4 Lightpipes, with Press-fit PC Tails, 80 Circuits, Lead-Free
应用	Module-to-Board
个评论	With 4 Lightpipes
元件类型	Receptacle
产品系列	SFP+ and SFP Interconnect Solutions
产品名称	SFP
类型	Pluggable
UPC	822350235457

机构

CSA	LR19980
UL	E29179

电气

每触点最大电流	0.5A
数据传输率	10.0 Gbps
屏蔽形式	EMI Fingers
屏蔽	是
电压 - 最大	30V

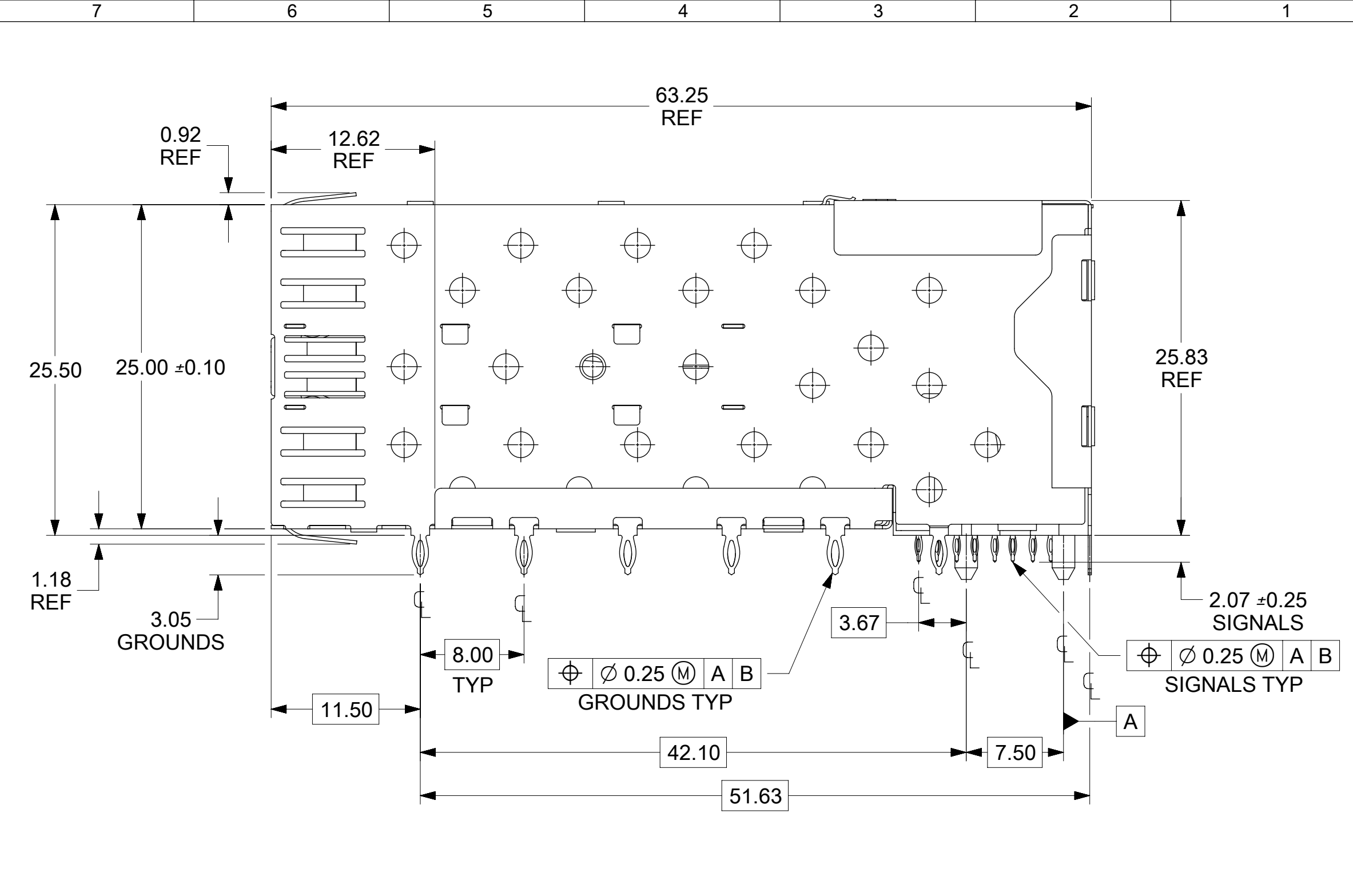
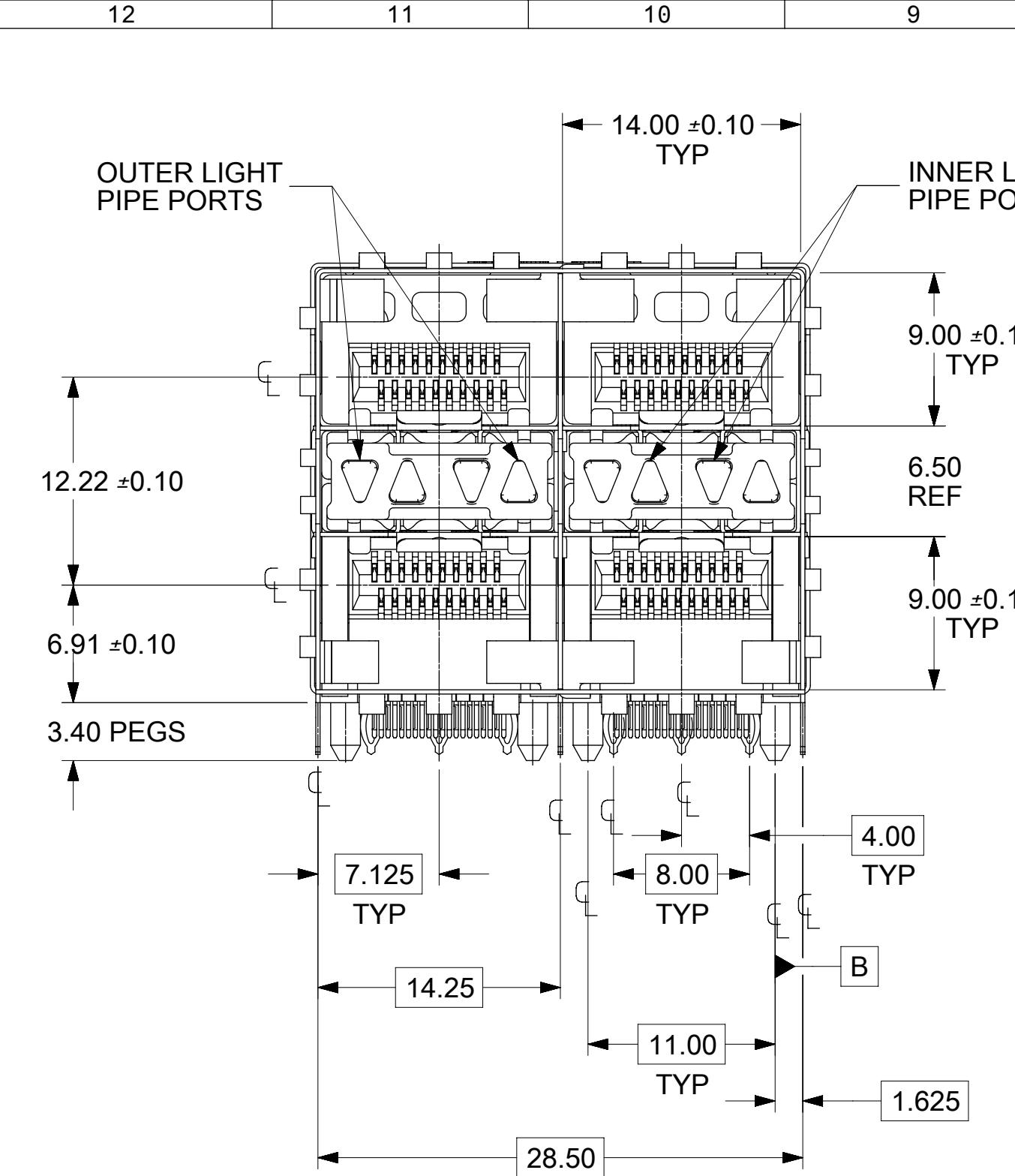
物理

回路数 (已载入)	80
-----------	----

电路数 (最多)	80
颜色-树脂	Black, Clear (Blue Tint)
耐用性(插拔次数) - 最多次数	200
阻燃性	94V-0
锁定插接部位	是
材料 - 金属	High Performance Alloy (HPA)
材料 - 接合部位电镀	金牌
材料 - 终端电镀	Tin
材料 - 树脂	High Temperature Thermoplastic, Polycarbonate
净重	52.522/g
方向	Right Angle
包装形式	Tray
面板安装式	否
PC 焊脚长度	3.05mm
PCB 定位器	是
PCB 保持力	是
推荐的 PCB 厚度	2.40mm
间距 - 插配接口	0.80mm
最薄镀层 - 接合部位	0.762 μ m
最薄镀层 - 端接	0.762 μ m
有极性的插配件	是
PCB 极性	是
运行温度范围	-40° to +85° C
终端界面类型	Through Hole - Compliant Pin
防水/防尘	否

进程

无铅	不适用
----	-----



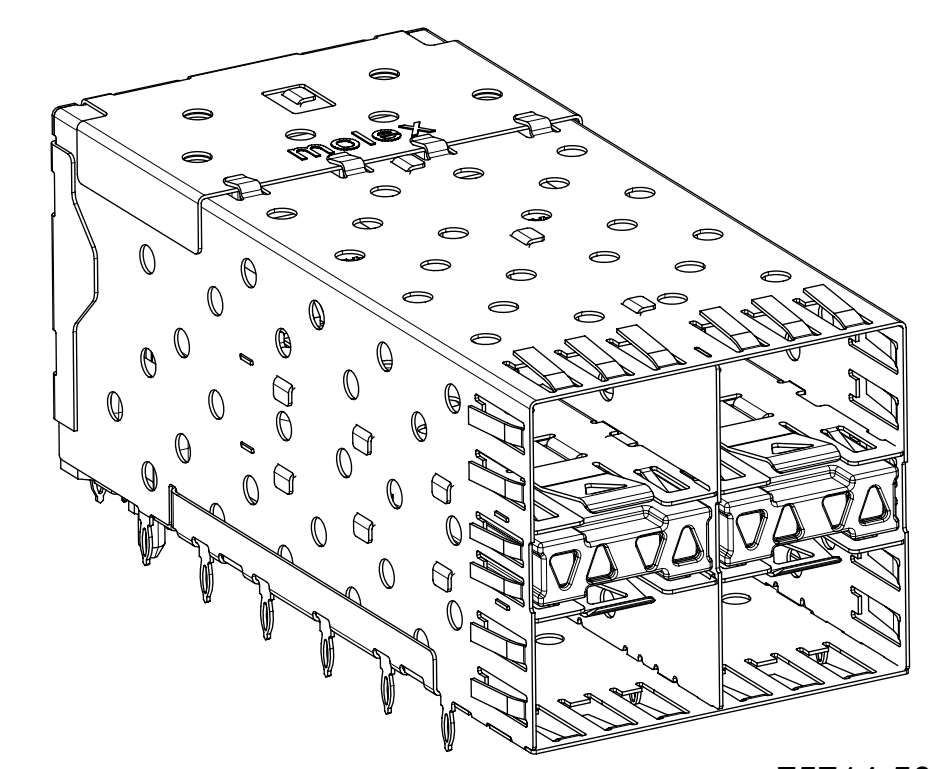
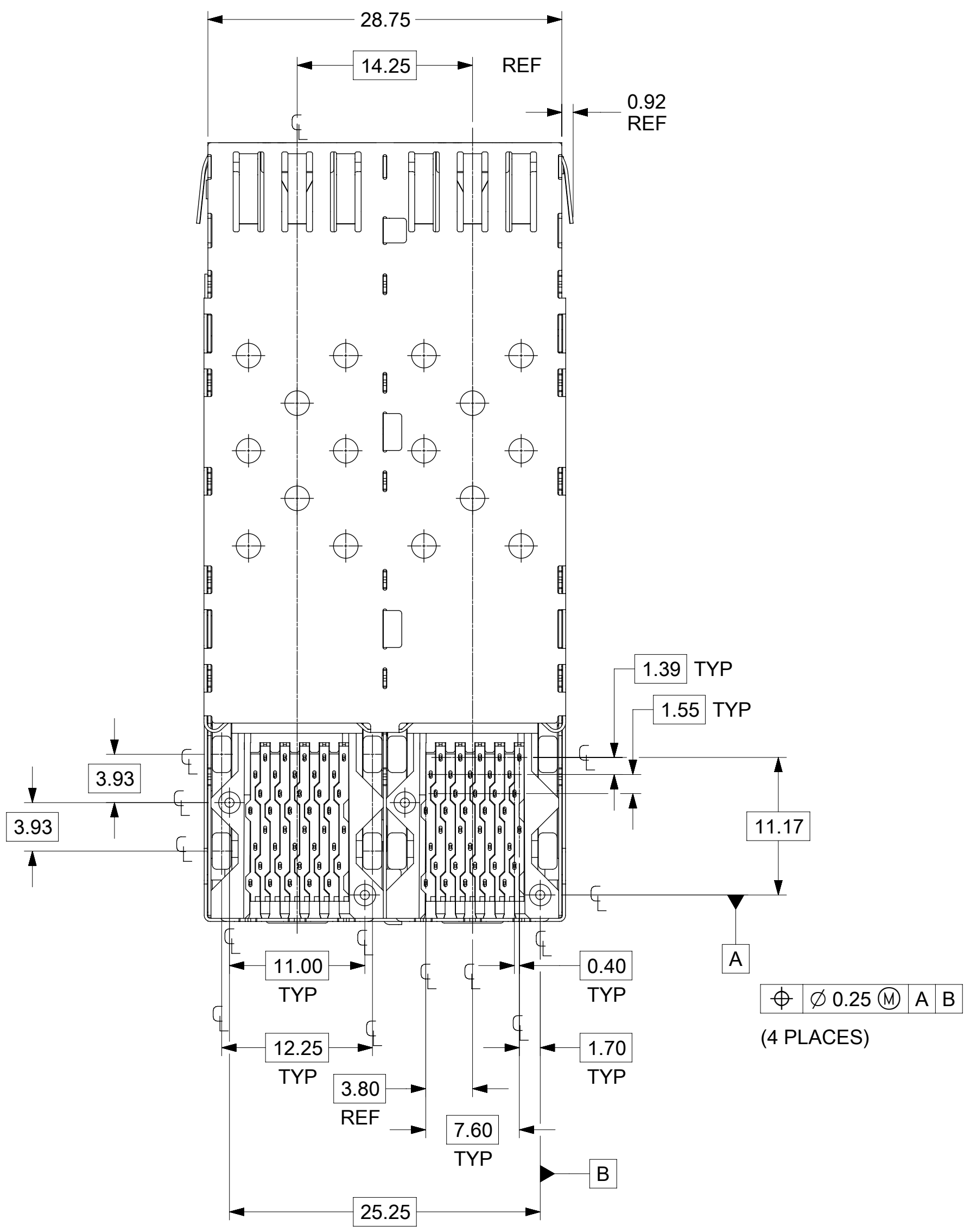
NOTES

1. MATERIAL:
 - CAGE: NICKEL SILVER, THICKNESS: 0.25mm
 - CONNECTOR HOUSING: GLASS FILLED HIGH TEMP PLASTIC, 94 V-0 COLOR BLACK
 - OVERMOLDED TERMINALS HOUSING: GLASS FILLED HIGH TEMP PLASTIC, 94 V-0, COLOR: BLACK
 - TERMINALS: TIN BRASS
 - LIGHT PIPES: POLYCARBONITE, 94 V-0, COLOR: CLEAR
 - LIGHT PIPE HOUSING: ZINC
2. FINISH:
 - LIGHT PIPE HOUSING: 150 MICROMETERS NICKEL OVER 150 MICROMETERS COPPER
 - TERMINAL: CONTACT AREA: 0.76 MICROMETERS MINIMUM, HARD GOLD OVER 1.27 MICROMETERS MINIMUM NICKEL.
 - COMPLIANT TAIL - TIN/LEAD OPTION: 0.76 - 1.52 MICROMETERS 90/10 TIN/LEAD OVER 0.76 - 1.52 MICROMETERS NICKEL
 - COMPLIANT TAIL - TIN OPTION: 0.76 - 1.52 MICROMETERS TIN OVER 0.76 - 1.52 MICROMETERS NICKEL
3. REFER TO PS-75310-001 PRODUCT SPEC FOR ALL ELECTRICAL, MECHANICAL, AND ENVIRONMENTAL SPECIFICATIONS.
4. LIGHT PIPE PAD LAYOUT IS FOR 0805 LOW-PORFILE LED PACKAGE, FOR OTHER RECOMMENDED LAYOUTS REFER TO MOLEX'S REPORT TS-75310-001.
5. REFER TO PK-75714-001 FOR ALL PACKAGING SPECIFICATIONS.
6. THE CURVED TAILS THAT GO INTO THE HOLES LOCATED BY THESE DIMENSIONS ARE BEING ELIMINATED. TO ACCOMMODATE THIS CONVERSION, IT IS RECOMMENDED THAT BOARDS DESIGNED TO THIS PRINT REVISION INCLUDE THESE HOLES.
7. PART COMPLIES WITH COSMETIC SPECIFICATION PS-45499-002. SEE SHEET 4 SECTION A-A FOR SURFACE CLASSIFICATIONS. UNDERSIDE OF CAGE COMPLIES WITH CLASS "C".

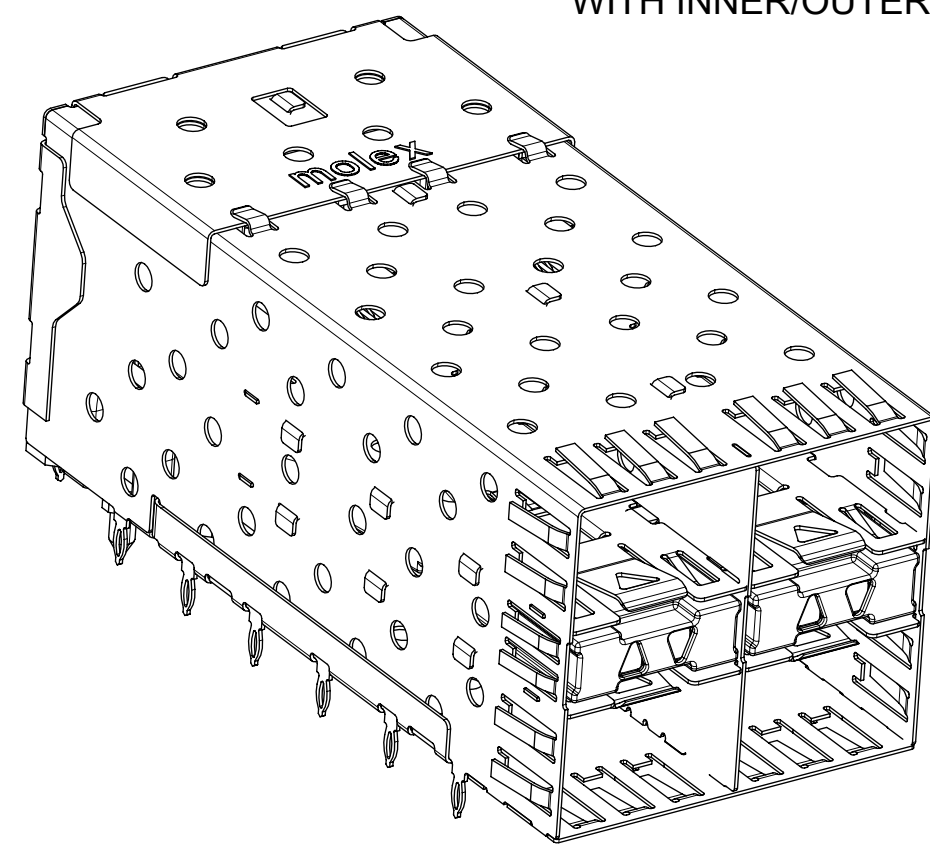
PART NUMBER	DESCRIPTION	VIEW	COMPLIANT TAIL PLATING
75714-5001	4 PORT LIGHT PIPE	SEE PG 2	TIN
75714-5002	INNER 2 PORTS	SEE PG 2	TIN

THIS DRAWING CONTAINS INFORMATION THAT IS PROPRIETARY TO MOLEX ELECTRONIC TECHNOLOGIES, LLC AND SHOULD NOT BE USED WITHOUT WRITTEN PERMISSION

DIMENSION UNITS mm	SCALE 3:1	CURRENT REV DESC: MIGRATED TO NX		molex		
GENERAL TOLERANCES (UNLESS SPECIFIED)		EC NO: 648356				
ANGULAR TOL ± 5.0°	4 PLACES ±	DRWN: SKRISHNAMURT	2018/10/09	PRODUCT CUSTOMER DRAWING		
3 PLACES ±	3 PLACES ±	CHK'D: GGA	2021/01/08	DOCUMENT NUMBER		
2 PLACES ± 0.13	2 PLACES ±	APPR: GGA	2021/01/08	SD-75714-001		
1 PLACE ± 0.25	1 PLACE ±	INITIAL REVISION:		DOC TYPE	DOC PART	REVISION
0 PLACES ±	0 PLACES ±	DRWN: JLONG	2004/12/01	PSD	001	E1
DRAFT WHERE APPLICABLE MUST REMAIN WITHIN DIMENSIONS		APPR: RNELSON	2004/12/02	MATERIAL NUMBER	CUSTOMER	SHEET NUMBER
THIRD ANGLE PROJECTION		DRAWING	SERIES	SEE TABLE	GENERAL MARKET	1 OF 4
		C-SIZE	75714			



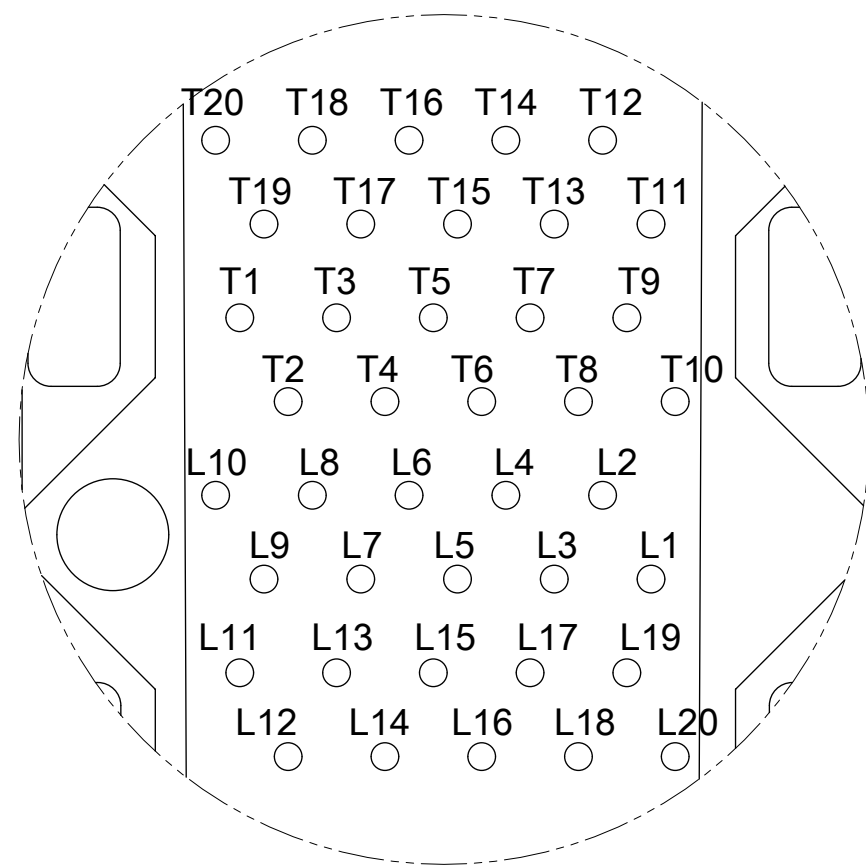
75714-5001
WITH INNER/OUTER LIGHT PIPES



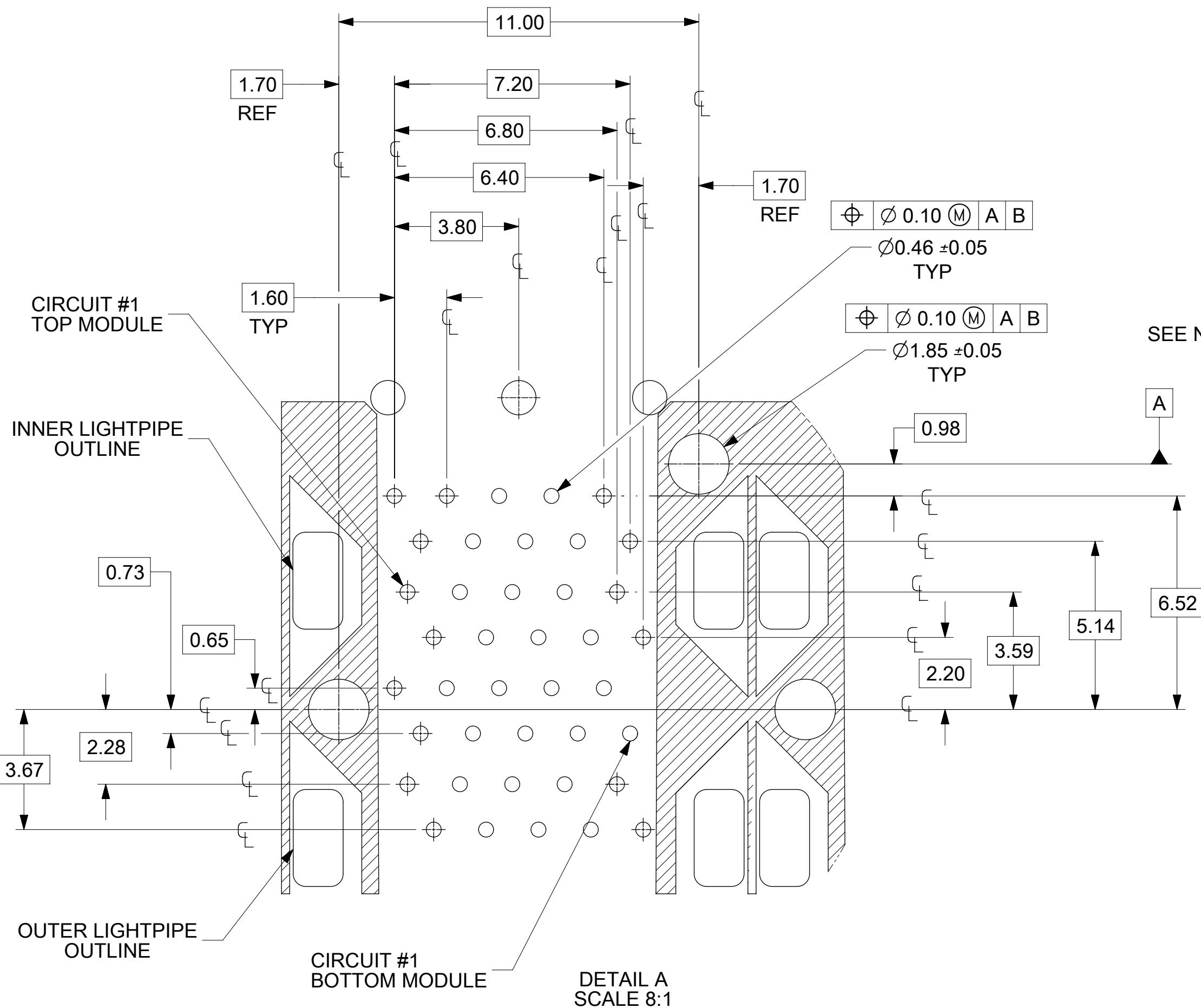
75714-5002
WITH INNER LIGHT PIPES

THIS DRAWING CONTAINS INFORMATION THAT IS PROPRIETARY TO MOLEX ELECTRONIC TECHNOLOGIES, LLC AND SHOULD NOT BE USED WITHOUT WRITTEN PERMISSION									
DIMENSION UNITS		SCALE		CURRENT REV DESC: MIGRATED TO NX					
mm		3:1							
GENERAL TOLERANCES (UNLESS SPECIFIED)				EC NO: 648356				STACKED SFP 2X2 MEDIUM HEIGHT ASSY, PRESS-FIT TAILS WITH LIGHT PIPES	
ANGULAR TOL ± 5.0°				DRWN: SKRISHNAMURT 2018/10/09					
4 PLACES ±				CHK'D: GGA 2021/01/08				PRODUCT CUSTOMER DRAWING	
3 PLACES ±				APPR: GGA 2021/01/08					
2 PLACES ± 0.13				INITIAL REVISION:				DOCUMENT NUMBER SD-75714-001	
1 PLACE ± 0.25				DRWN: JLONG 2004/12/01					
0 PLACES ±				APPR: RNELSON 2004/12/02				DOC TYPE DOC PART REVISION PSD 001 E1	
DRAFT WHERE APPLICABLE MUST REMAIN WITHIN DIMENSIONS		THIRD ANGLE PROJECTION		DRAWING		SERIES		SHEET NUMBER	
				C-SIZE		75714		2 OF 4	

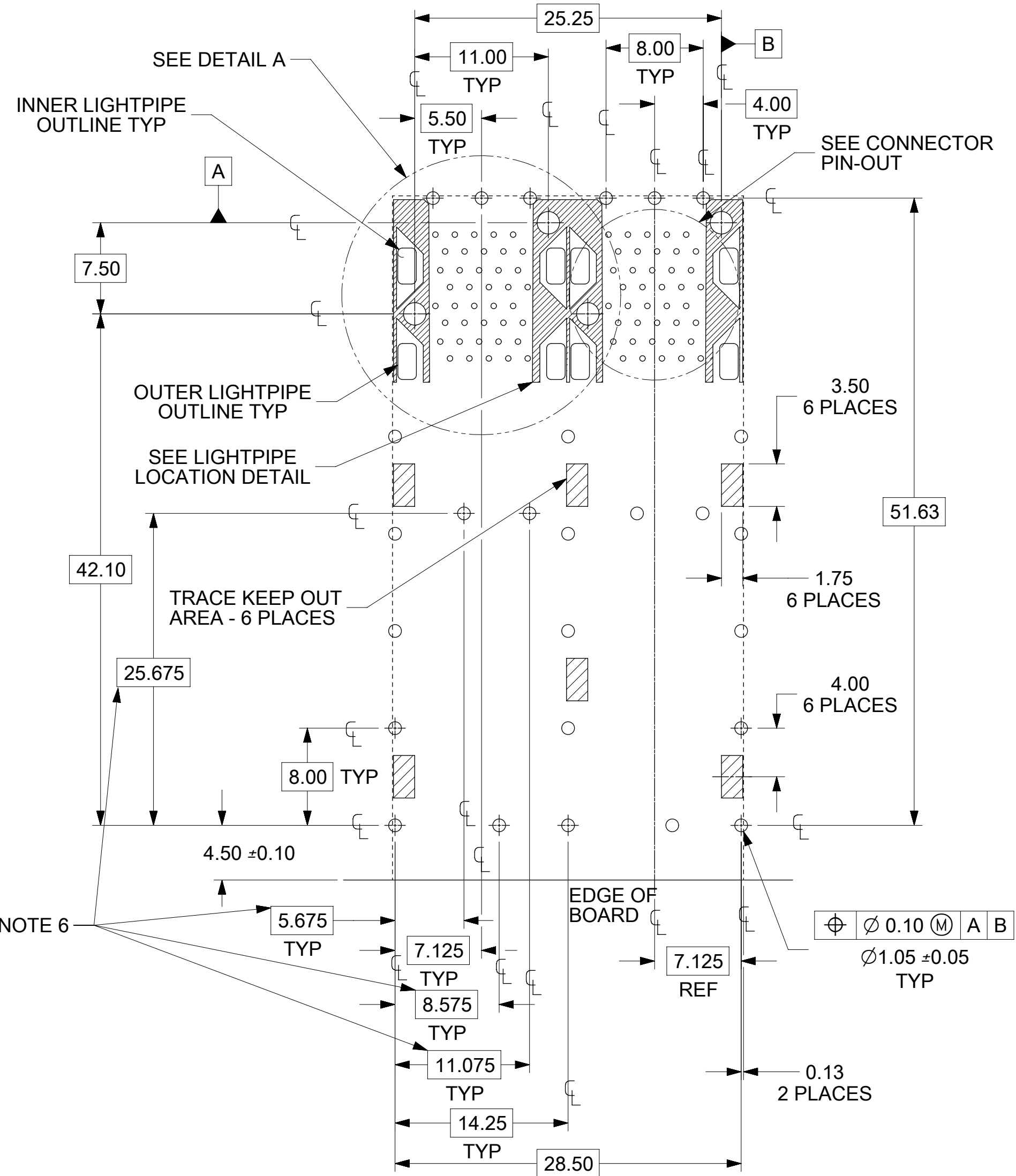
DOCUMENT STATUS	P1	RELEASE DATE	2021/01/08 14:15:10
-----------------	----	--------------	---------------------



DETAIL B
CONNECTOR PIN-OUT
COMPONENT SIDE OF BOARD
SCALE 8:1

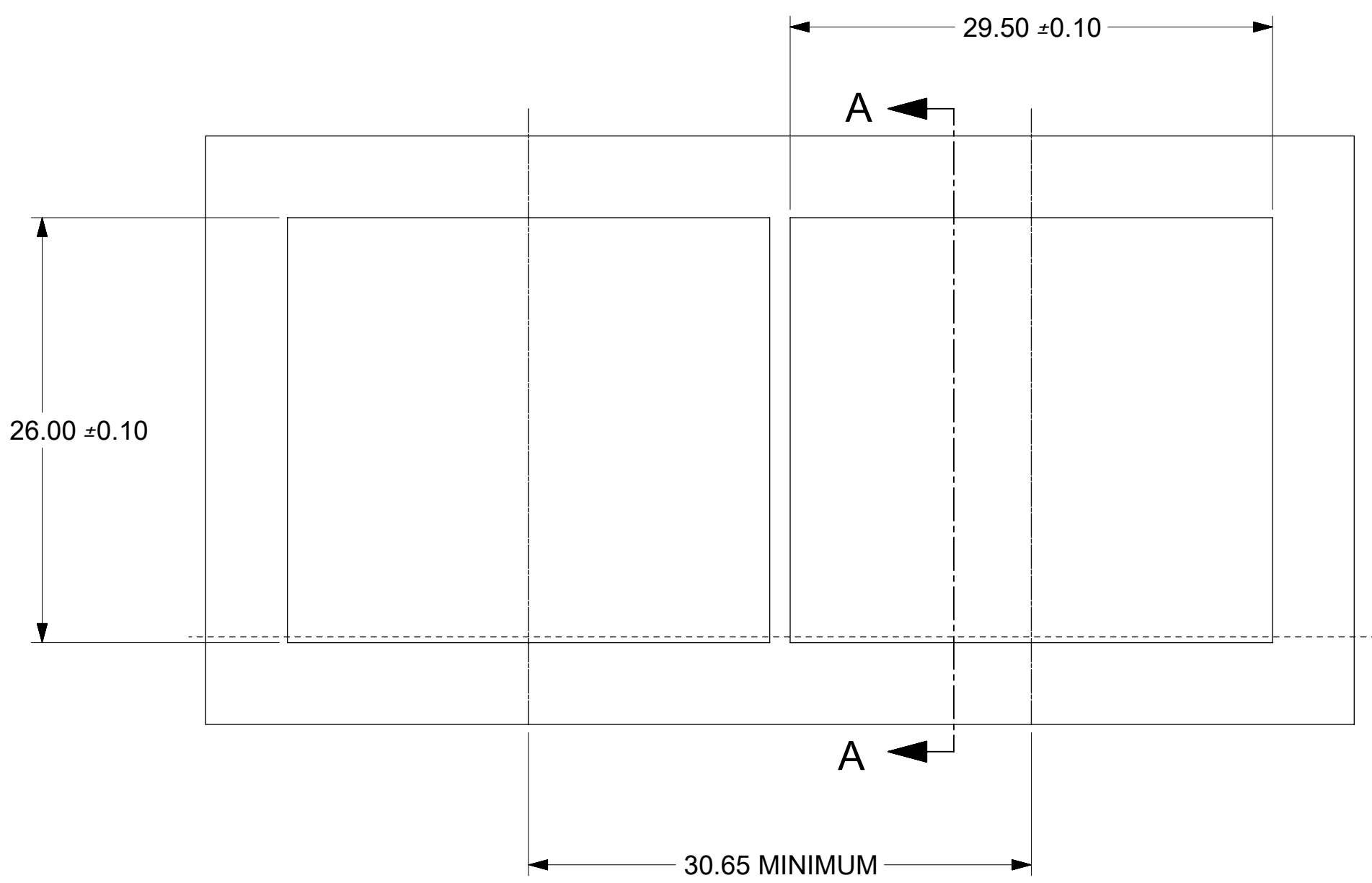


DETAIL A
SCALE 8:1

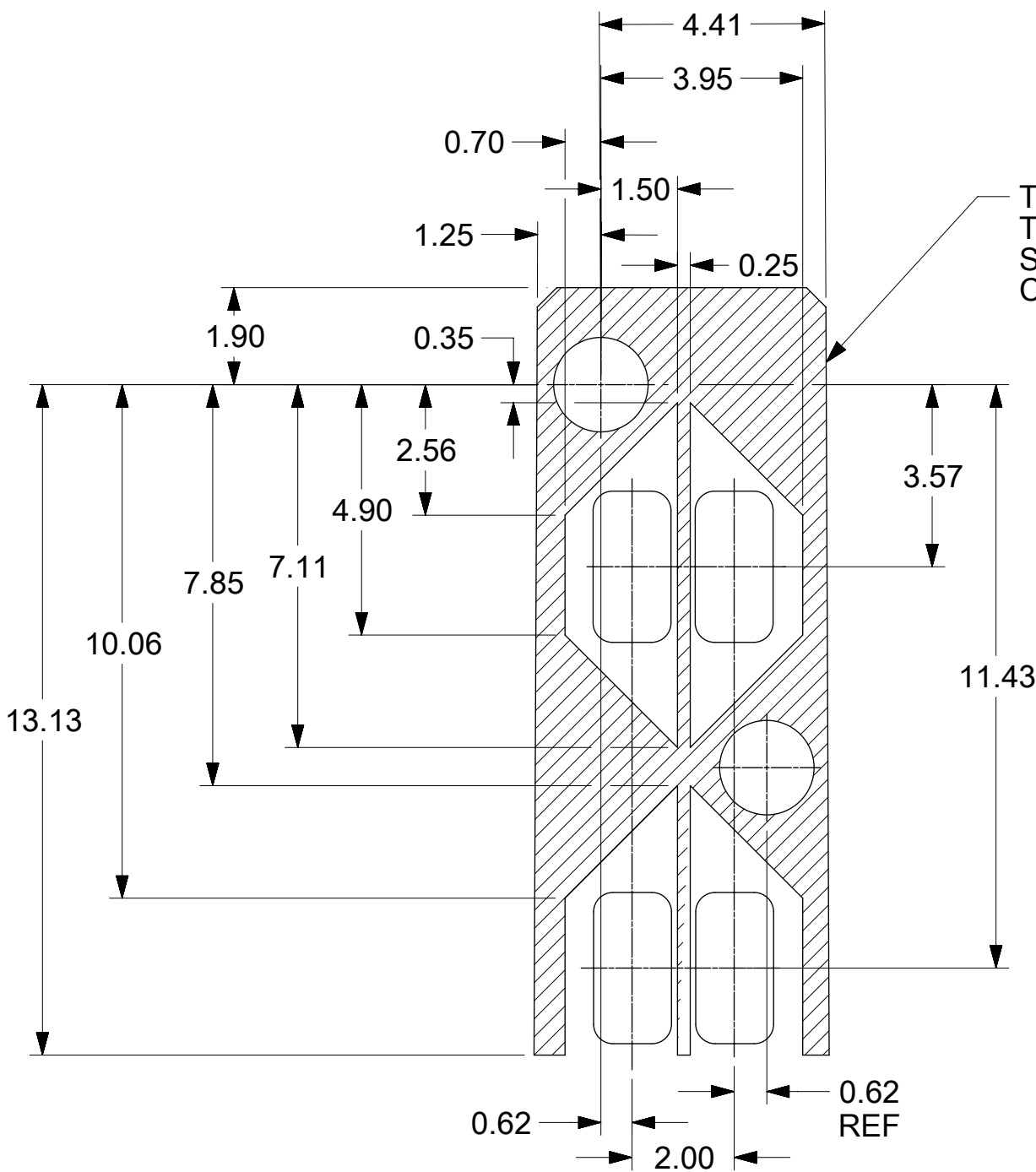
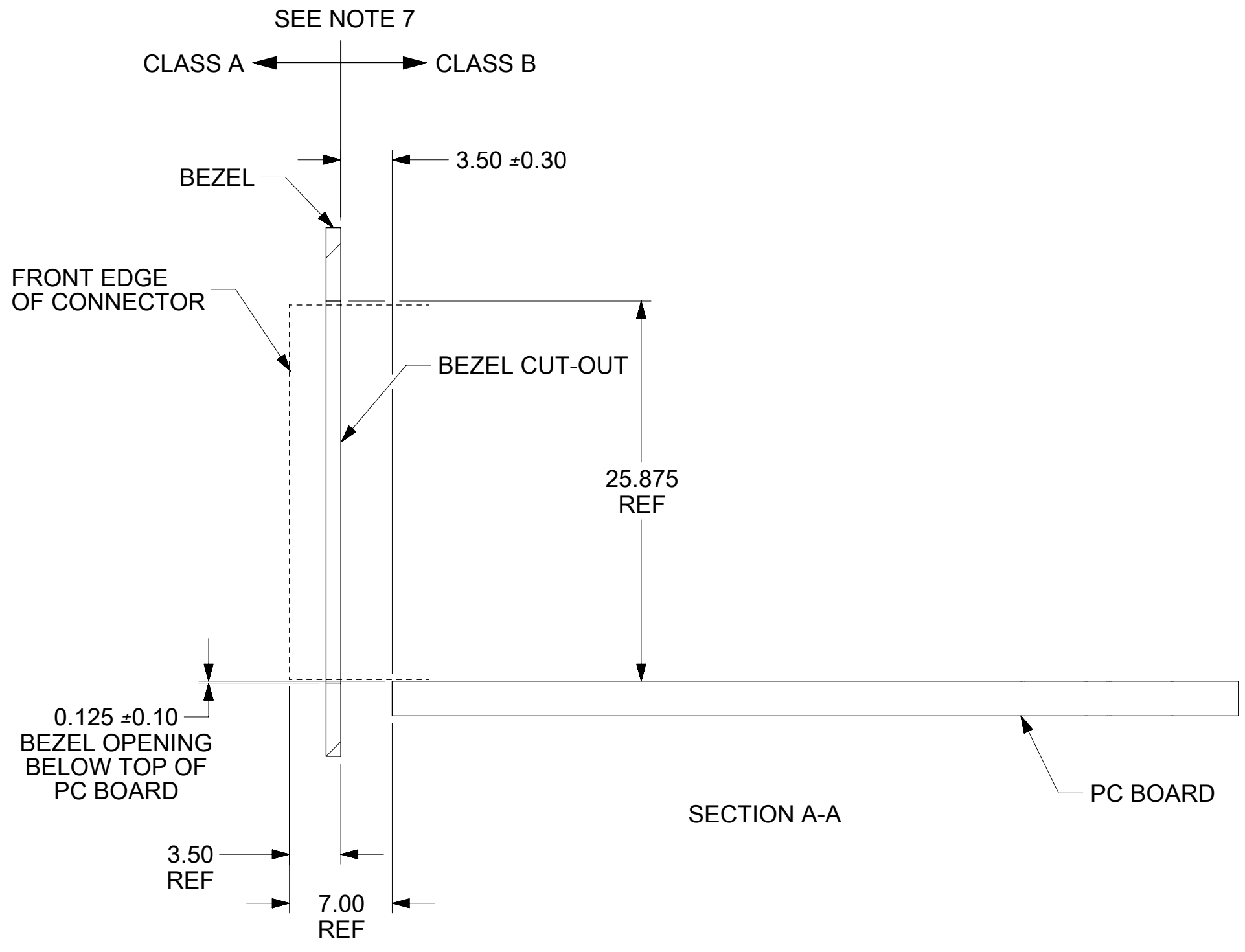


RECOMMENDED PCB LAYOUT - COMPONENT SIDE
RECOMMENDED PCB THICKNESS - 2.36 MM (.093 INCH)
THE ENTIRE AREA OF THE CONNECTOR FOOTPRINT
TO BE CONSIDERED THE KEEP OUT AREA FOR COMPONENTS
(OTHER THAN LIGHT PIPE LED'S)
THIS AREA IS INDICATED BY THE DASHED LINE

THIS DRAWING CONTAINS INFORMATION THAT IS PROPRIETARY TO MOLEX ELECTRONIC TECHNOLOGIES, LLC AND SHOULD NOT BE USED WITHOUT WRITTEN PERMISSION			
DIMENSION UNITS	SCALE	CURRENT REV DESC: MIGRATED TO NX	
mm	3:1		
GENERAL TOLERANCES (UNLESS SPECIFIED)			
ANGULAR TOL	± 5.0°	EC NO: 648356	
4 PLACES	±	DRWN: SKRISHNAMURT	2018/10/09
3 PLACES	±	CHK'D: GGA	2021/01/08
2 PLACES	± 0.13	APPR: GGA	2021/01/08
1 PLACE	± 0.25	INITIAL REVISION:	
0 PLACES	±	DRWN: JLONG	2004/12/01
		APPR: RNELSON	2004/12/02
DRAFT WHERE APPLICABLE MUST REMAIN WITHIN DIMENSIONS		THIRD ANGLE PROJECTION	DRAWING SERIES
		C-SIZE	75714
DOCUMENT STATUS		MATERIAL NUMBER	CUSTOMER
P1	RELEASE DATE	SEE TABLE	GENERAL MARKET
2021/01/08	14:15:10	SD-75714-001	
		DOC TYPE	DOC PART
		PSD	001
		DOC PART	REVISION
			E1
		SHEET NUMBER	
		3 OF 4	



BEZEL CUT-OUT CENTER SPACING DETAIL
BEZEL THICKNESS: 0.8 -2.6



THE HATCHED AREA IN THIS VIEW INDICATES ZONES THAT ARE OCCUPIED BY THE PLASTIC HOUSING THAT SEATS AGAINST THE PCB AND BY THE VERTICAL METAL CAGE WALL THAT STOPS JUST SHORT OF THE PCB

DETAIL - LIGHT PIPE LOCATION AND OTHER ZONES
SCALE 8:1

THIS DRAWING CONTAINS INFORMATION THAT IS PROPRIETARY TO MOLEX ELECTRONIC TECHNOLOGIES, LLC AND SHOULD NOT BE USED WITHOUT WRITTEN PERMISSION									
DIMENSION UNITS		SCALE		CURRENT REV DESC: MIGRATED TO NX				molex	
mm		3:1							
GENERAL TOLERANCES (UNLESS SPECIFIED)				EC NO: 648356				STACKED SFP 2X2 MEDIUM HEIGHT ASSY, PRESS-FIT TAILS WITH LIGHT PIPES	
ANGULAR TOL ± 5.0°				4 PLACES ±		DRWN: SKRISHNAMURT 2018/10/09		PRODUCT CUSTOMER DRAWING	
				3 PLACES ±		CHK'D: GGA 2021/01/08		DOCUMENT NUMBER	
				2 PLACES ± 0.13		APPR: GGA 2021/01/08		SD-75714-001	
				1 PLACE ± 0.25		INITIAL REVISION:		DOC TYPE DOC PART REVISION	
				0 PLACES ±		DRWN: JLONG 2004/12/01		PSD 001 E1	
				APPR: RNELSON 2004/12/02		MATERIAL NUMBER		SHEET NUMBER	
DRAFT WHERE APPLICABLE MUST REMAIN WITHIN DIMENSIONS				THIRD ANGLE PROJECTION		DRAWING		CUSTOMER	
				C-SIZE		SERIES		GENERAL MARKET	
				75714		SEE TABLE		4 OF 4	

DOCUMENT STATUS	P1	RELEASE DATE	2021/01/08 14:15:10
-----------------	----	--------------	---------------------