



产品编号：[757840160](#)

Product Description：0.80mm Pitch, iPass I/O Surface Mount Receptacle, Vertical, Internal Assembly with Shell, 36 Circuit, 0.76µm Gold (Au), Through Hole Option, Tail Length 3.56mm, Universal Key

系列号：75784

状态：Active

Product Category：High-Speed I/O Connectors



文件和资源

图纸

[图纸 757840160_sd.pdf](#)

[包装设计图 PK-75784-001-001.pdf](#)

3D 模型和设计文件

[3D模型 757840160_stp.zip](#)

[电气模型文件 EE-75577-001-001.pdf](#)

[S参数 SP-75577-001-001.zip](#)

规格

[应用规格 AS-75783-001-001.pdf](#)

[产品规格 PS-75783-001-001.pdf](#)

产物环境合规

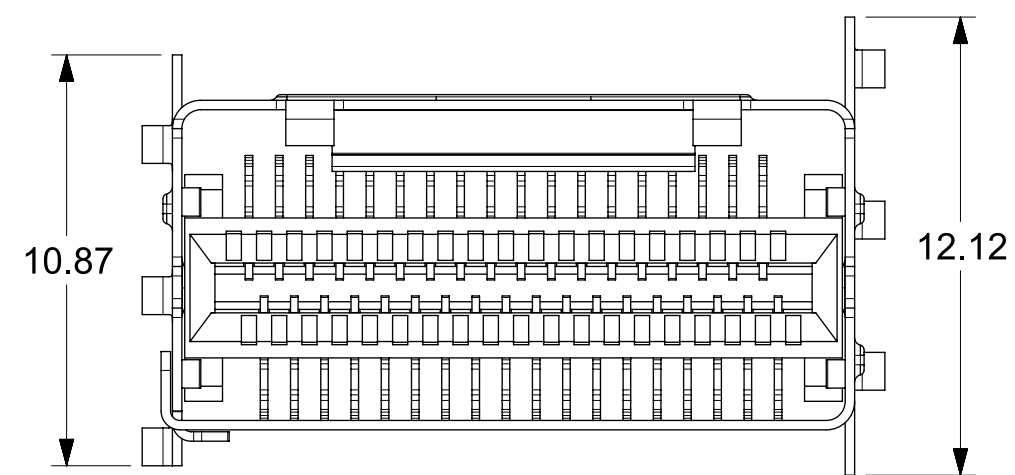
合规

GADSL/IMDS	Not Relevant
China RoHS	
EU ELV	Not Relevant
Low-Halogen Status	Low-Halogen per IEC 61249-2-21
REACH SVHC	Not Contained per per D(2022)4187-DC (10 June 2022)
EU RoHS	Compliant per EU 2015/863

[多部分产品合规性声明](#)

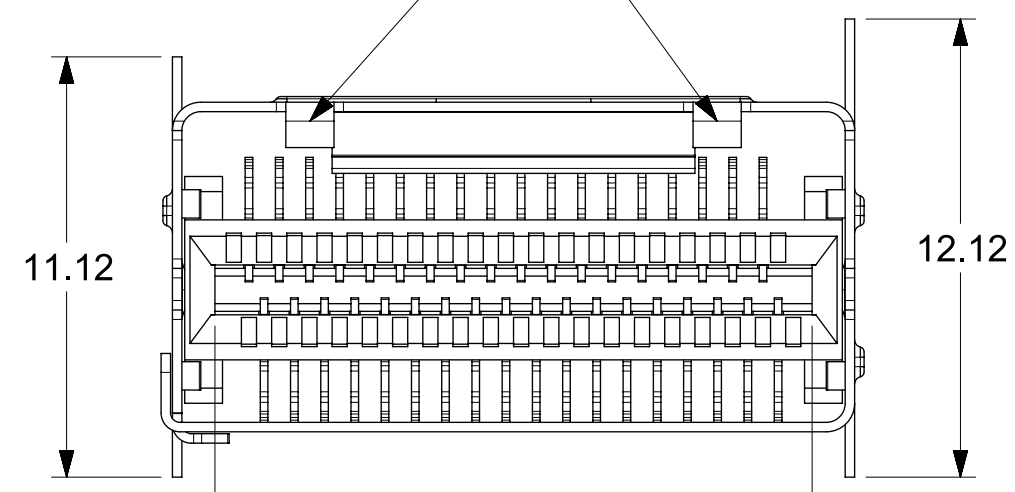
- Eu RoHS

- REACH SVHC

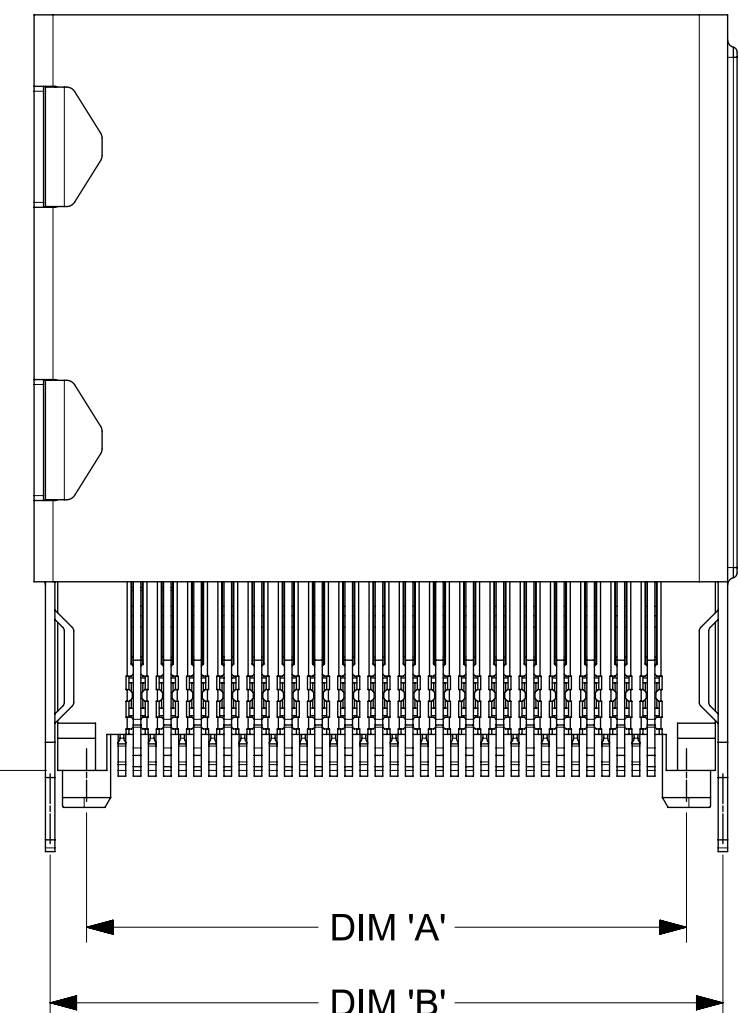


SMT

KEY LOCATIONS



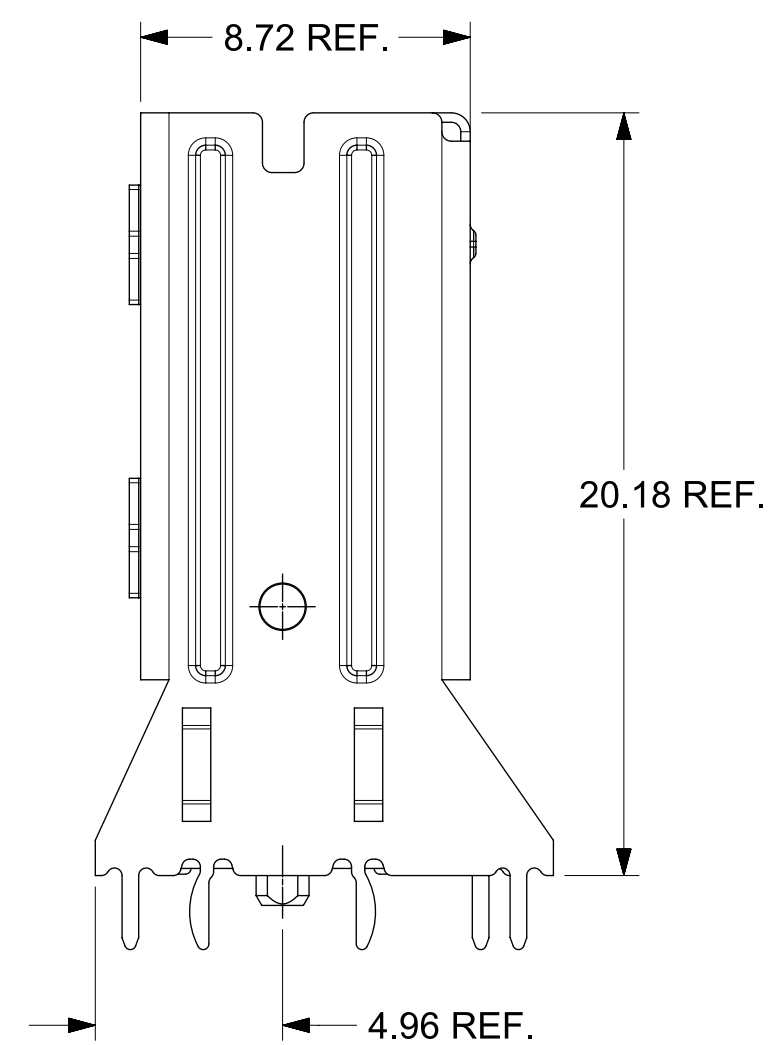
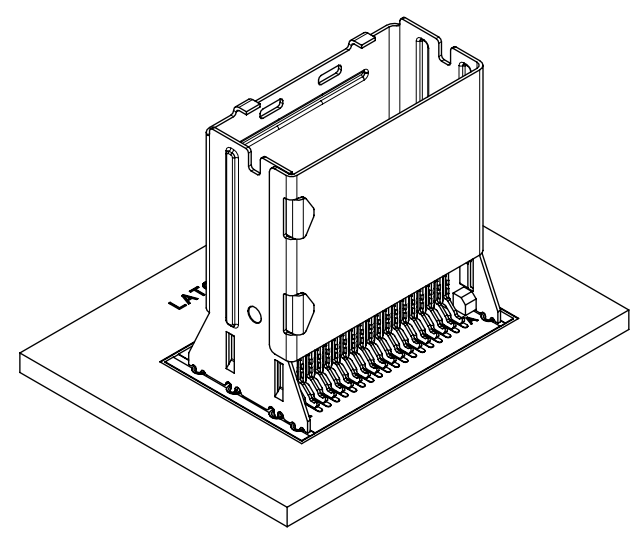
DIM 'C'



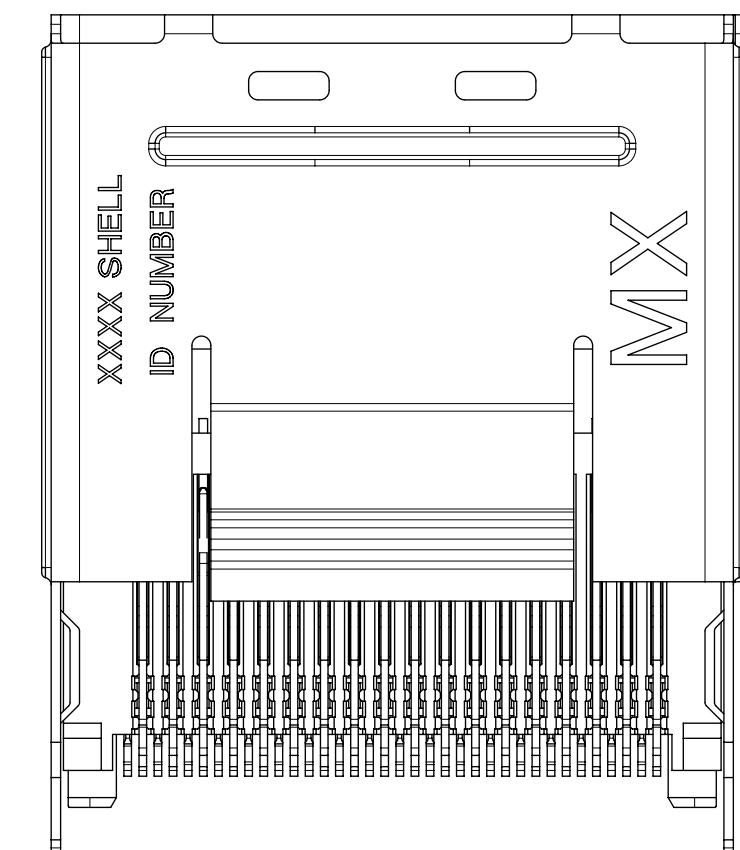
SEE NOTE 3

DIM 'A'

DIM 'B'



36 CIRCUIT
RETENTION FIT
SHELL OPTION SHOWN



NOTES:

1. MATERIAL:
CONNECTOR:
HOUSING - HIGH TEMPERATURE THERMOPLASTIC GLASS FILLED, UL 94V-0, BLACK
TERMINALS - COPPER ALLOY
SHELL
NICKEL SILVER, C770, THICKNESS: 0.250/0.254
2. FINISH:
CONNECTOR
OPTION 1
CONTACT AREA - 0.38µm MIN GOLD OVER 2.54 µm NICKEL
SOLDER FOOT AREA - 2.54-5.09µm TIN OVER 1.27 µm NICKEL
OPTION 2
CONTACT AREA - 0.76µm MIN GOLD OVER 2.54 µm NICKEL
SOLDER FOOT AREA - 2.54-5.09µm TIN OVER 1.27 µm NICKEL
3. TERMINAL SOLDER FEET TO BE COPLANAR WITHIN 0.10 MEASURED FROM DATUM E
4. DATE CODE: 4 DIGIT (3 DIGIT DAY, 1 DIGIT YEAR) ON CONNECTOR ONLY
5. CIRCUIT IDENTIFIER: SEE APPROPRIATE INDUSTRY SPECIFICATION FOR LOCATION OF PIN 1
6. TO BE USED WITH THE FOLLOWING CABLE SERIES:
79575/74563/79576/74573/79536/74562/74569/74586
7. PACKAGED PER PACKAGING SPECIFICATION: PK-75783-001
8. CONFORMS TO PRODUCT SPECIFICATION: PS-75783-001
9. PROCESS PER APPLICATION SPECIFICATION: AS-75783-001
10. THIS PART CONFORMS TO CLASS C REQUIREMENTS OF COSMETIC SPEC PS-45499-002

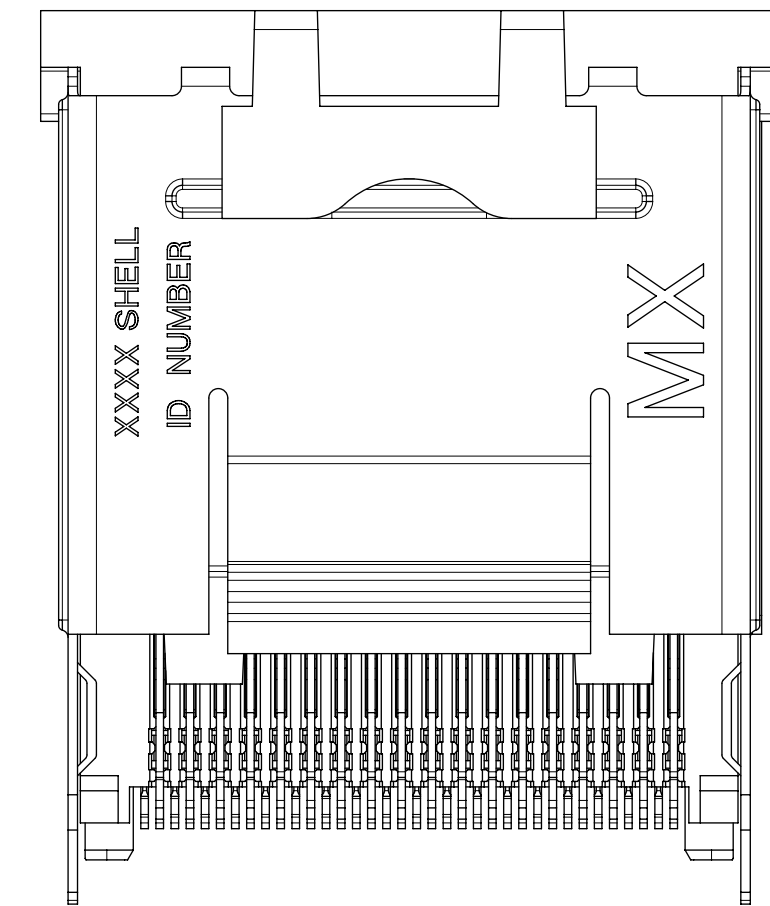
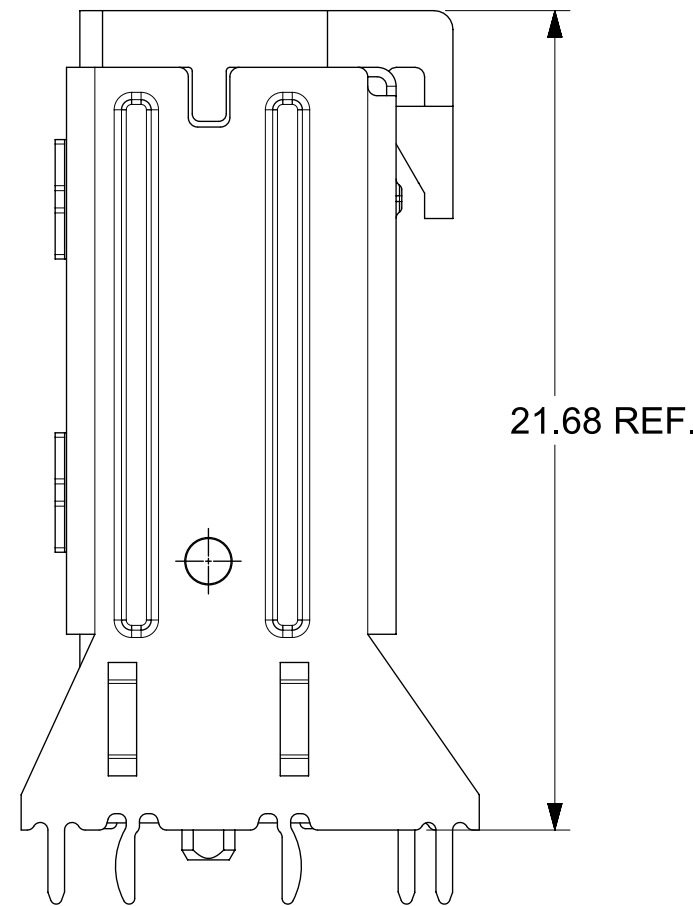
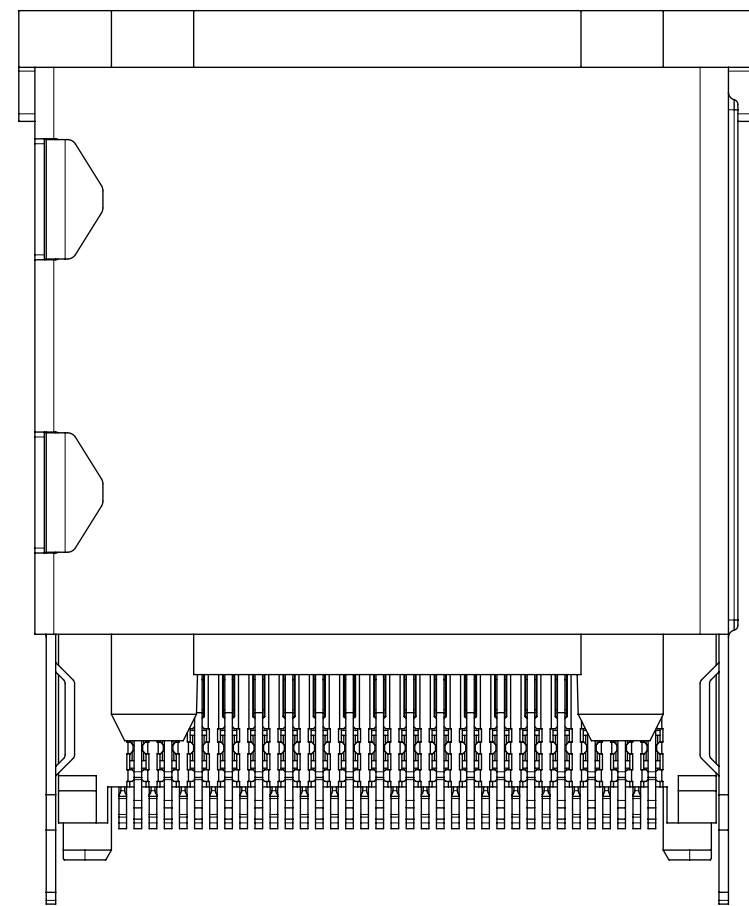
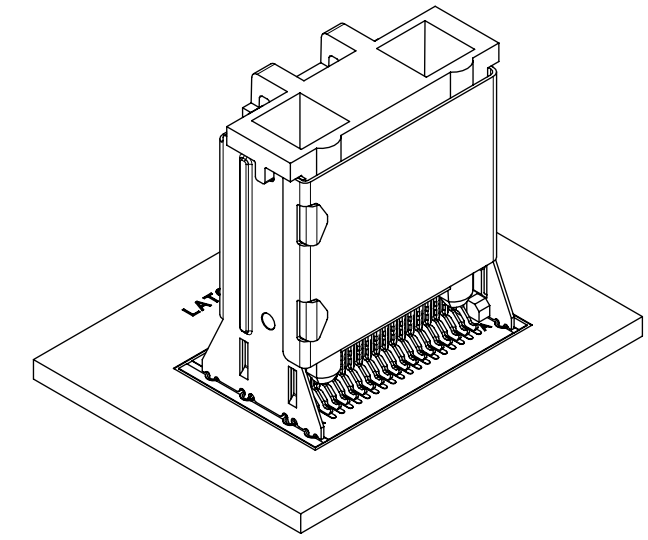
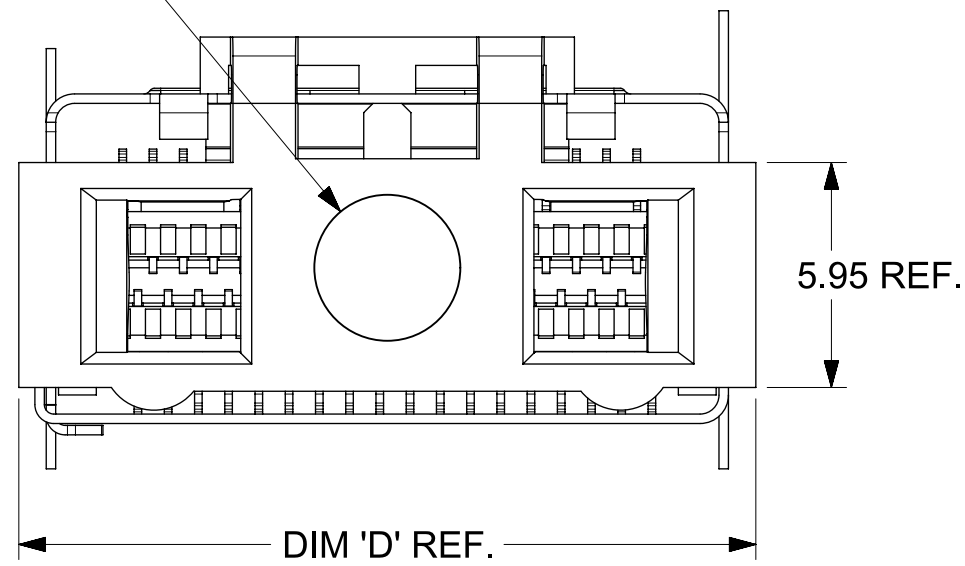
iPass™ IS A TRADEMARK OF MOLEX

THIS DRAWING CONTAINS INFORMATION THAT IS PROPRIETARY TO MOLEX ELECTRONIC TECHNOLOGIES, LLC AND SHOULD NOT BE USED WITHOUT WRITTEN PERMISSION																																																															
DIMENSION UNITS mm		SCALE 5:1		CURRENT REV DESC: 75784-0136 & 75784-0137, Mentioned part numbers have been re-added to the Doc.																																																											
GENERAL TOLERANCES (UNLESS SPECIFIED)				<table border="0"> <tr> <td colspan="2">STATUS: Production</td> <td colspan="2">2024-02-23</td> <td colspan="2">DOCUMENT NUMBER</td> <td colspan="2">DOC TYPE</td> <td colspan="2">DOC PART</td> <td colspan="2">REVISION</td> </tr> <tr> <td colspan="2">DRWN: Vishal Ramesh Hosur</td> <td colspan="2">2024-02-26</td> <td colspan="2" rowspan="2">SD-75784-001</td> <td colspan="2" rowspan="2">PSD</td> <td colspan="2" rowspan="2">001</td> <td colspan="2" rowspan="2">D8</td> </tr> <tr> <td colspan="2">CHK'D: Ganesh Rao B</td> <td colspan="2">2024-02-26</td> </tr> <tr> <td colspan="2">APPR: Gurunandan GA</td> <td colspan="2">2024-02-26</td> <td colspan="2">MATERIAL NUMBER</td> <td colspan="2">CUSTOMER</td> <td colspan="4">SHEET NUMBER</td> </tr> <tr> <td colspan="2">DRAFT WHERE APPLICABLE MUST REMAIN WITHIN DIMENSIONS</td> <td colspan="2">THIRD ANGLE PROJECTION</td> <td colspan="2">DRAWING</td> <td colspan="2">SERIES</td> <td colspan="2">SEE TABLE</td> <td colspan="2">GENERAL MARKET</td> <td colspan="2">1 OF 12</td> </tr> </table>						STATUS: Production		2024-02-23		DOCUMENT NUMBER		DOC TYPE		DOC PART		REVISION		DRWN: Vishal Ramesh Hosur		2024-02-26		SD-75784-001		PSD		001		D8		CHK'D: Ganesh Rao B		2024-02-26		APPR: Gurunandan GA		2024-02-26		MATERIAL NUMBER		CUSTOMER		SHEET NUMBER				DRAFT WHERE APPLICABLE MUST REMAIN WITHIN DIMENSIONS		THIRD ANGLE PROJECTION		DRAWING		SERIES		SEE TABLE		GENERAL MARKET		1 OF 12	
STATUS: Production		2024-02-23								DOCUMENT NUMBER		DOC TYPE		DOC PART		REVISION																																															
DRWN: Vishal Ramesh Hosur		2024-02-26								SD-75784-001		PSD		001		D8																																															
CHK'D: Ganesh Rao B		2024-02-26																																																													
APPR: Gurunandan GA		2024-02-26								MATERIAL NUMBER		CUSTOMER		SHEET NUMBER																																																	
DRAFT WHERE APPLICABLE MUST REMAIN WITHIN DIMENSIONS		THIRD ANGLE PROJECTION		DRAWING		SERIES		SEE TABLE		GENERAL MARKET		1 OF 12																																																			
ANGULAR TOL ± 0.5°																																																															
4 PLACES ±																																																															
3 PLACES ±																																																															
2 PLACES ± 0.130																																																															
1 PLACE ± 0.25																																																															
0 PLACES ±																																																															
PRODUCT SALES DRAWING		C-SIZE		75784		GENERAL MARKET		1 OF 12																																																							

CIRCUIT SIZE	DIM 'A'	DIM 'B'	DIM 'C'
36	16.00	17.80	15.80
50	21.60	23.40	21.40
68	28.80	30.60	28.60

ASSEMBLY WITH PRE-POSITIONING DEVICE

PICK & PLACE NOZZLE AREA



36 CIRCUIT RETENTION FIT SHOWN

NOTES:

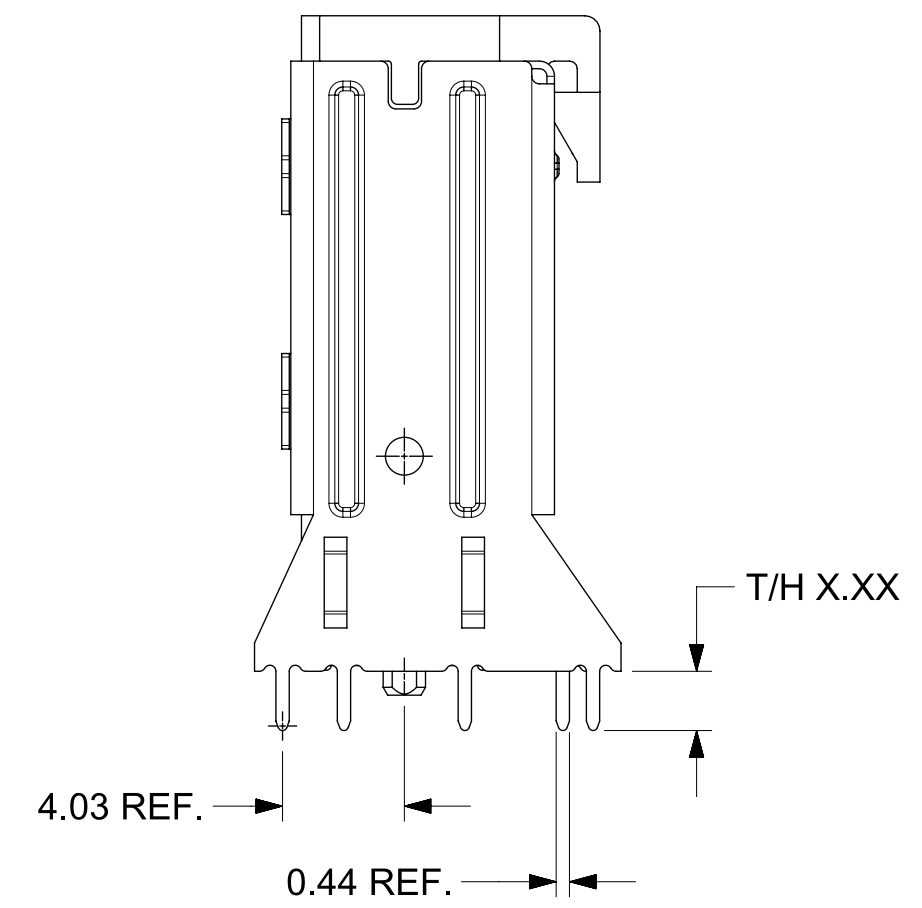
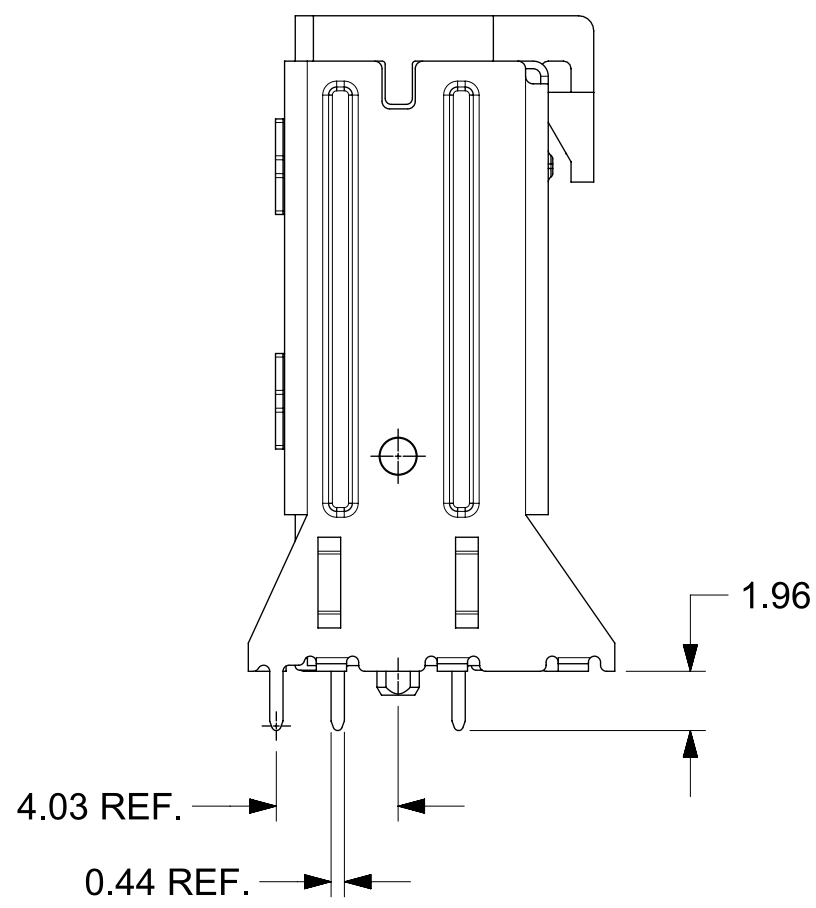
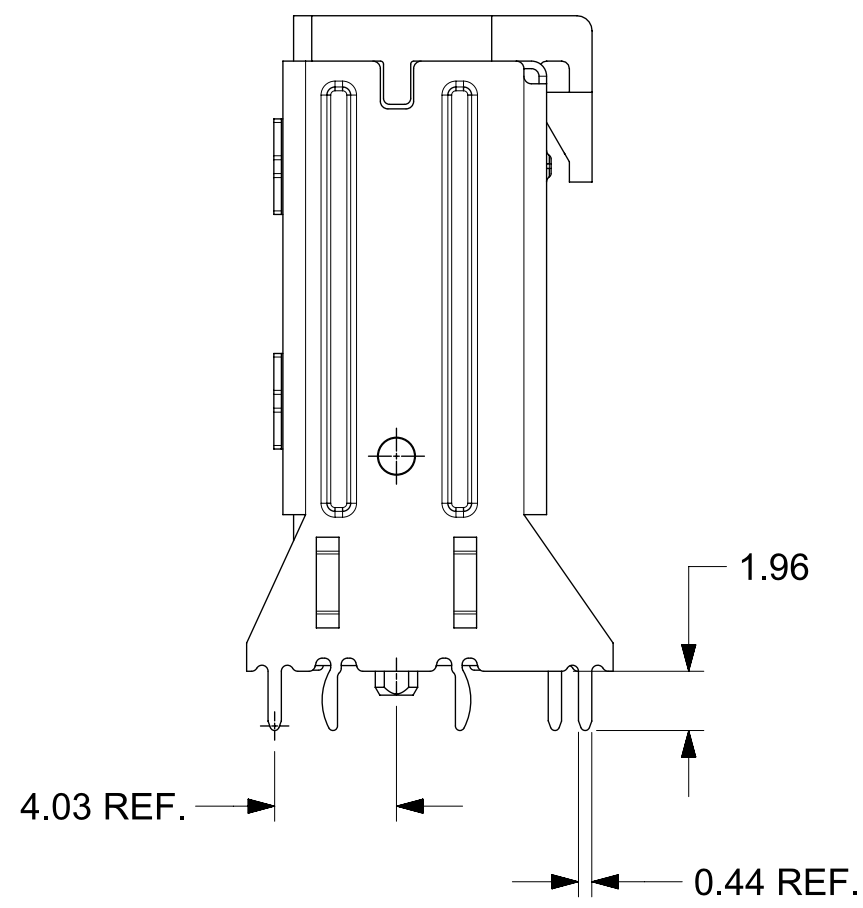
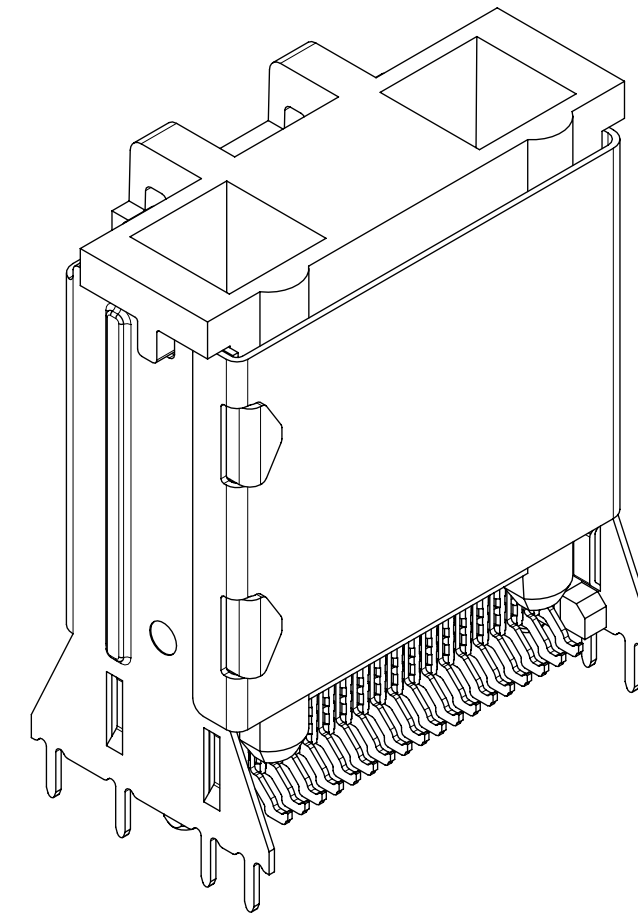
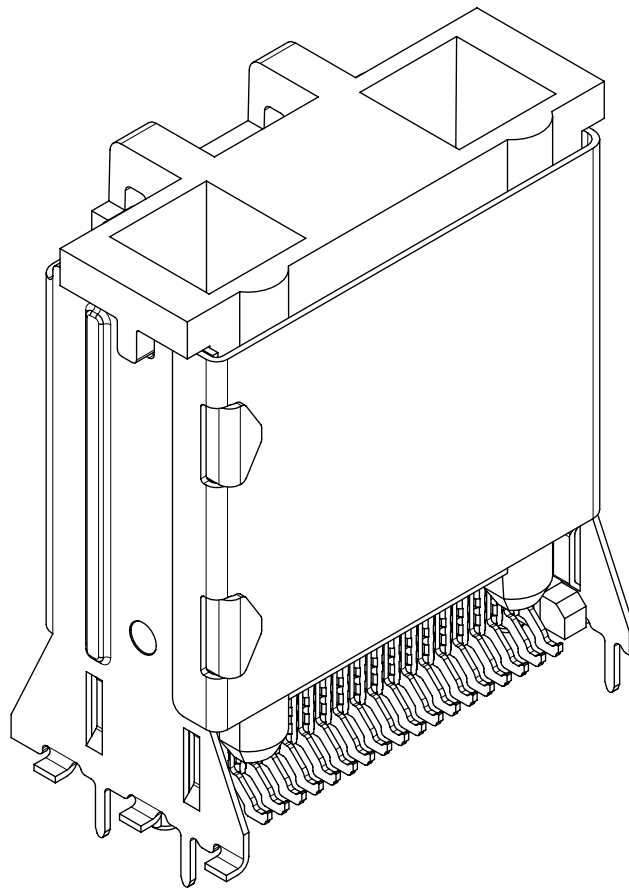
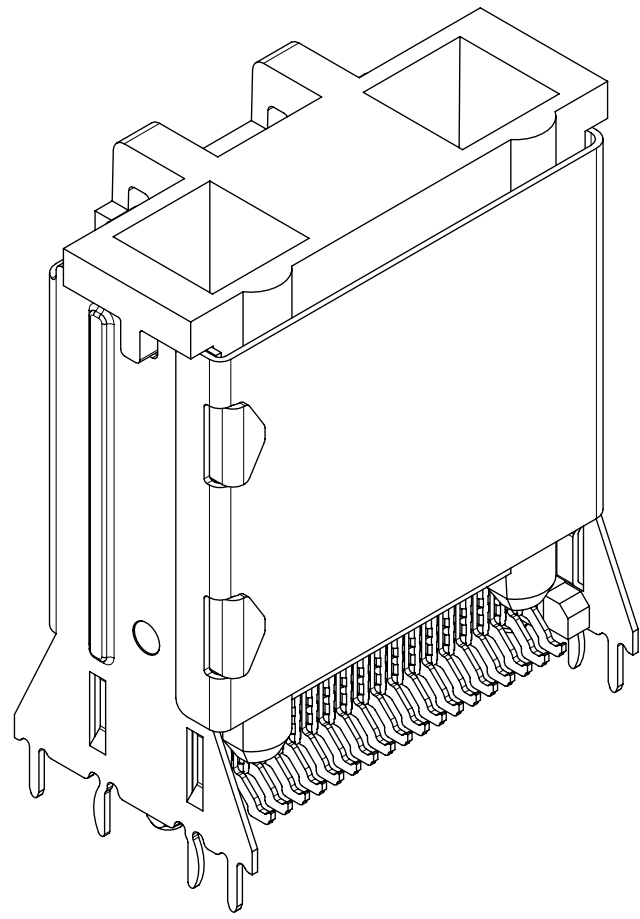
1. PICK AND PLACE LOCATION DEFINED ON APPLICATION SPECIFICATION AS-75783-001
2. PACKAGING CONSISTS OF CONNECTOR AND SHELL WITH A PRE-POSITIONING PICK AND PLACE DEVICE THAT ARE PACKAGED IN "TAPE AND REEL" FOR ROBOTIC PICK AND PLACE.

iPass™ IS A TRADEMARK OF MOLEX

THIS DRAWING CONTAINS INFORMATION THAT IS PROPRIETARY TO MOLEX ELECTRONIC TECHNOLOGIES, LLC AND SHOULD NOT BE USED WITHOUT WRITTEN PERMISSION																																			
DIMENSION UNITS		SCALE		CURRENT REV DESC: 75784-0136 & 75784-0137, Mentioned part numbers have been re-added to the Doc.																															
mm		5:1		<p>molex</p> <p>I-PASS VERT CONNECTOR INTERNAL ASSY W/SHELL 0.8MM PITCH I/O</p> <p>PRODUCT SALES DRAWING</p> <table border="1"> <tr> <td colspan="3">DOCUMENT NUMBER</td> <td>DOC TYPE</td> <td>DOC PART</td> <td>REVISION</td> </tr> <tr> <td colspan="3">SD-75784-001</td> <td>PSD</td> <td>001</td> <td>D8</td> </tr> <tr> <td colspan="2">MATERIAL NUMBER</td> <td colspan="2">CUSTOMER</td> <td colspan="2">SHEET NUMBER</td> </tr> <tr> <td colspan="2">SEE TABLE</td> <td colspan="2">GENERAL MARKET</td> <td colspan="2">2 OF 12</td> </tr> </table>								DOCUMENT NUMBER			DOC TYPE	DOC PART	REVISION	SD-75784-001			PSD	001	D8	MATERIAL NUMBER		CUSTOMER		SHEET NUMBER		SEE TABLE		GENERAL MARKET		2 OF 12	
DOCUMENT NUMBER			DOC TYPE									DOC PART	REVISION																						
SD-75784-001			PSD									001	D8																						
MATERIAL NUMBER		CUSTOMER										SHEET NUMBER																							
SEE TABLE		GENERAL MARKET										2 OF 12																							
GENERAL TOLERANCES (UNLESS SPECIFIED)																																			
ANGULAR TOL ± 0.5°																																			
4 PLACES		±																																	
3 PLACES		±																																	
2 PLACES		± 0.130																																	
1 PLACE		± 0.25																																	
0 PLACES		±																																	
DRAFT WHERE APPLICABLE MUST REMAIN WITHIN DIMENSIONS				THIRD ANGLE PROJECTION		DRAWING		SERIES		STATUS: Production																									
				C-SIZE		75784		2024-02-23		DRWN: Vishal Ramesh Hosur																									
								2024-02-26		CHK'D: Ganesh Rao B																									
								2024-02-26		APPR: Gurunandan GA																									

CIRCUIT SIZE	DIM 'D'
36	19.50
50	25.10
68	32.30

SHELL PCB INTERFACE



**RETENTION-FIT
SHELL OPTION**

SMT SHELL OPTION


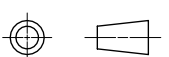
**THRU-HOLE SHELL OPTION
SEE TABLE FOR LENGTH
(X.XX DENOTES LENGTH)**

**RECOMMENDED PCB THICKNESS
FOR SPECIFIED TAIL LENGTH**

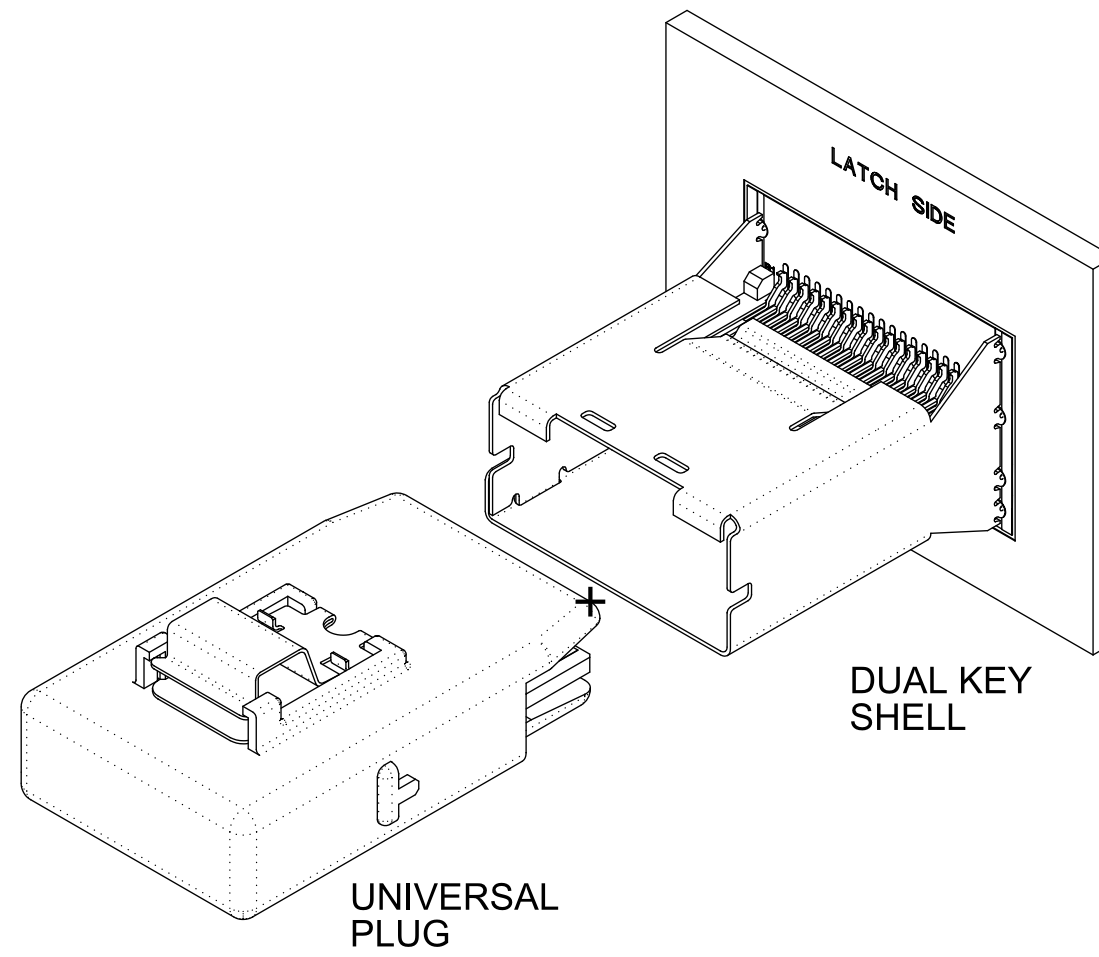
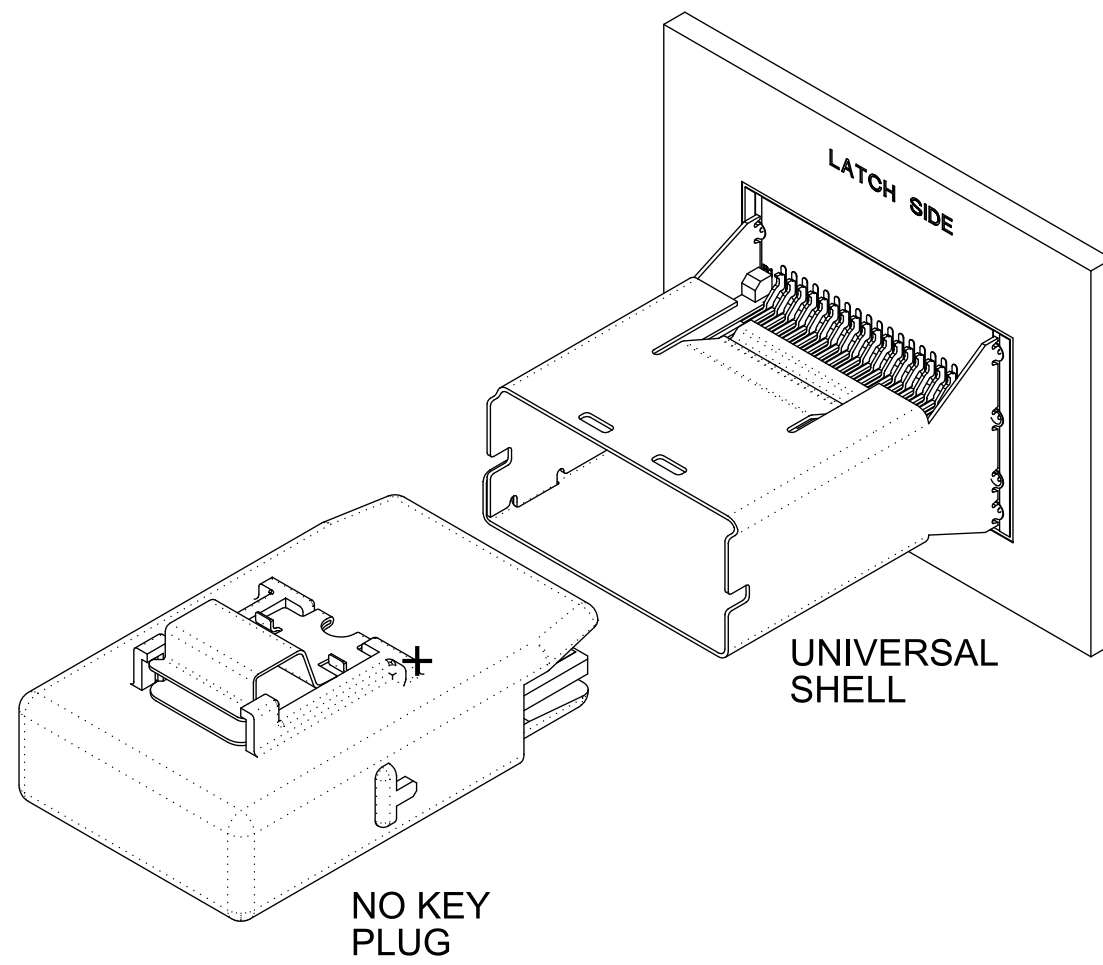
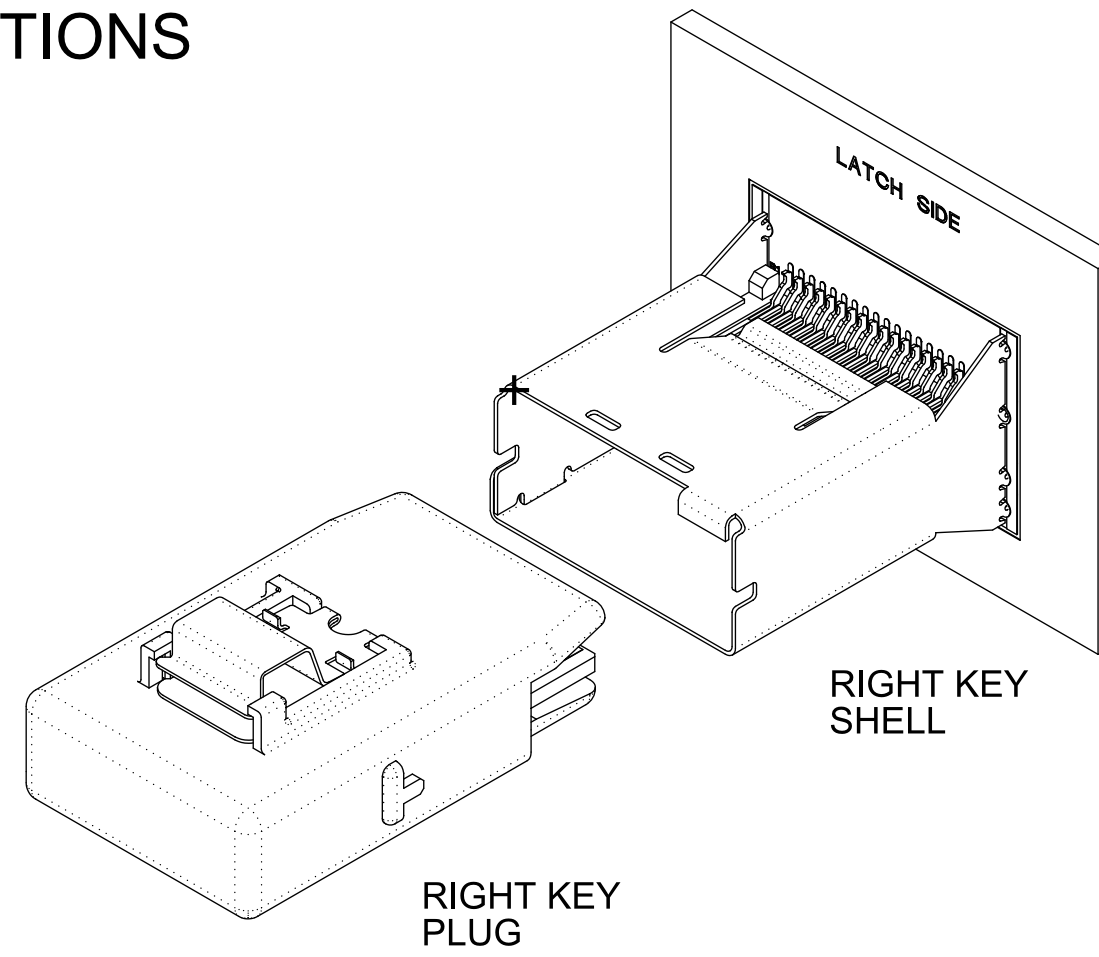
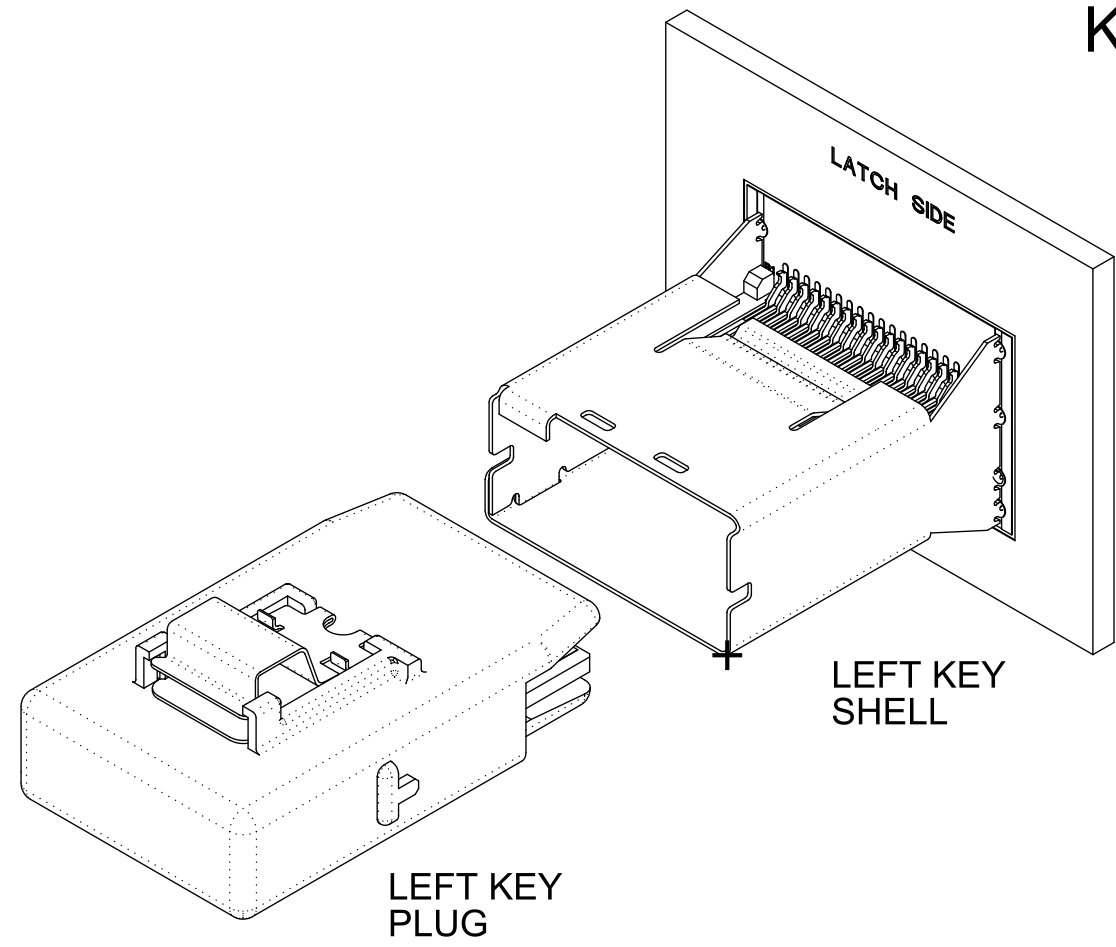
TAIL LENGTH	PCB THICKNESS
1.96	1.57 (.062)
2.79	2.36 (.093)
3.18	2.79 (.110)
3.56	3.18 (.125)

NOTE:
 RETENTION FIT DENOTES TAILS THAT OFFER RETENTION TO PCB DURING REFLOW PROCESS
 SMT DENOTES SURFACE MOUNT TERMINATION
 T/H X.XX DENOTES THRU-HOLE TAIL OF LENGTH X.XX

iPass™ IS A TRADEMARK OF MOLEX

THIS DRAWING CONTAINS INFORMATION THAT IS PROPRIETARY TO MOLEX ELECTRONIC TECHNOLOGIES, LLC AND SHOULD NOT BE USED WITHOUT WRITTEN PERMISSION											
DIMENSION UNITS		SCALE		CURRENT REV DESC: 75784-0136 & 75784-0137, Mentioned part numbers have been re-added to the Doc.							
mm		4:1		 I-PASS VERT CONNECTOR INTERNAL ASSY W/SHELL 0.8MM PITCH I/O PRODUCT SALES DRAWING							
GENERAL TOLERANCES (UNLESS SPECIFIED)											
ANGULAR TOL ± 0.5°											
4 PLACES ±											
3 PLACES ±											
2 PLACES ± 0.130				STATUS: Production		2024-02-23		DOCUMENT NUMBER		DOC TYPE DOC PART REVISION	
1 PLACE ± 0.25				DRWN: Vishal Ramesh Hosur		2024-02-26		SD-75784-001		PSD 001 D8	
0 PLACES ±				CHK'D: Ganesh Rao B		2024-02-26		MATERIAL NUMBER		CUSTOMER	
DRAFT WHERE APPLICABLE MUST REMAIN WITHIN DIMENSIONS				THIRD ANGLE PROJECTION		DRAWING		SERIES		SHEET NUMBER	
						C-SIZE		75784		3 OF 12	
								SEE TABLE		GENERAL MARKET	

KEYING OPTIONS



	UNIVERSAL SHELL	LEFT KEY SHELL	RIGHT KEY SHELL	DUAL KEY SHELL
NO KEY PLUG	YES	NO	NO	NO
LEFT KEY PLUG	YES	YES	NO	NO
RIGHT KEY PLUG	YES	NO	YES	NO
UNIVERSAL PLUG	YES	YES	YES	YES

iPass™ IS A TRADEMARK OF MOLEX

THIS DRAWING CONTAINS INFORMATION THAT IS PROPRIETARY TO MOLEX ELECTRONIC TECHNOLOGIES, LLC AND SHOULD NOT BE USED WITHOUT WRITTEN PERMISSION												
DIMENSION UNITS mm		SCALE 2:1		CURRENT REV DESC: 75784-0136 & 75784-0137, Mentioned part numbers have been re-added to the Doc.								
GENERAL TOLERANCES (UNLESS SPECIFIED)				STATUS: Production DRWN: Vishal Ramesh Hosur CHK'D: Ganesh Rao B APPR: Gurunandan GA 2024-02-23 2024-02-26 2024-02-26								
ANGULAR TOL ± 0.5°												
4 PLACES ±												
3 PLACES ±												
2 PLACES ± 0.130												
1 PLACE ± 0.25				DRAWING C-SIZE		SERIES 75784		DOCUMENT NUMBER SD-75784-001		DOC TYPE PSD	DOC PART 001	REVISION D8
0 PLACES ±				THIRD ANGLE PROJECTION 		MATERIAL NUMBER SEE TABLE		CUSTOMER GENERAL MARKET		SHEET NUMBER 4 OF 12		
DRAFT WHERE APPLICABLE MUST REMAIN WITHIN DIMENSIONS												

molex

I-PASS VERT CONNECTOR
INTERNAL ASSY W/SHELL 0.8MM PITCH I/O

PRODUCT SALES DRAWING

36 CIRCUIT ITEM NUMBERS

CIRCUIT SIZE	ITEM NUMBER	PLATING OPTION	SHELL PCB OPTION	SHELL KEY OPTION
36	75784-0109	OPTION 1	RETENTION	DUAL
36	75784-0110	OPTION 1	SMT	LEFT
36	75784-0111	OPTION 1	SMT	RIGHT
36	75784-0112	OPTION 1	SMT	DUAL
36	75784-0119	OPTION 2	RETENTION	LEFT
36	75784-0120	OPTION 2	RETENTION	RIGHT
36	75784-0125	OPTION 1	RETENTION	UNIVERSAL
36	75784-0126	OPTION 1	SMT	UNIVERSAL
36	75784-0131	OPTION 1	T/H 1.96	DUAL
36	75784-0132	OPTION 1	T/H 1.96	UNIVERSAL
36	75784-0136	OPTION 2	T/H 1.69	UNIVERSAL

CIRCUIT SIZE	ITEM NUMBER	PLATING OPTION	SHELL PCB OPTION	SHELL KEY OPTION
36	75784-0137	OPTION 1	T/H 2.79	LEFT
36	75784-0138	OPTION 1	T/H 2.79	RIGHT
36	75784-0139	OPTION 1	T/H 2.79	DUAL
36	75784-0140	OPTION 1	T/H 2.79	UNIVERSAL
36	75784-0143	OPTION 2	T/H 2.79	DUAL
36	75784-0144	OPTION 2	T/H 2.79	UNIVERSAL
36	75784-0147	OPTION 1	T/H 3.18	DUAL
36	75784-0148	OPTION 1	T/H 3.18	UNIVERSAL
36	75784-0152	OPTION 2	T/H 3.18	UNIVERSAL
36	75784-0156	OPTION 1	T/H 3.56	UNIVERSAL
36	75784-0159	OPTION 2	T/H 3.56	DUAL
36	75784-0160	OPTION 2	T/H 3.56	UNIVERSAL

iPass™ IS A TRADEMARK OF MOLEX

THIS DRAWING CONTAINS INFORMATION THAT IS PROPRIETARY TO MOLEX ELECTRONIC TECHNOLOGIES, LLC AND SHOULD NOT BE USED WITHOUT WRITTEN PERMISSION									
DIMENSION UNITS	SCALE	CURRENT REV DESC: 75784-0136 & 75784-0137, Mentioned part numbers have been re-added to the Doc.							
mm	1:1	molex							
GENERAL TOLERANCES (UNLESS SPECIFIED)		I-PASS VERT CONNECTOR INTERNAL ASSY W/SHELL 0.8MM PITCH I/O							
ANGULAR TOL ± 0.5°		PRODUCT SALES DRAWING							
4 PLACES ±	±	STATUS: Production		DRWN: Vishal Ramesh Hosur		2024-02-23		DOCUMENT NUMBER	
3 PLACES ±	±	CHK'D: Ganesh Rao B		2024-02-26		SD-75784-001		DOC TYPE	DOC PART
2 PLACES ± 0.130	±	APPR: Gurunandan GA		2024-02-26		PSD		001	D8
1 PLACE ± 0.25	±	DRAFT WHERE APPLICABLE MUST REMAIN WITHIN DIMENSIONS		THIRD ANGLE PROJECTION	DRAWING	SERIES	MATERIAL NUMBER	CUSTOMER	SHEET NUMBER
0 PLACES ±	±			C-SIZE	75784	SEE TABLE	GENERAL MARKET	5 OF 12	

50 CIRCUIT ITEM NUMBERS

CIRCUIT SIZE	ITEM NUMBER	PLATING OPTION	SHELL PCB OPTION	SHELL KEY OPTION
50	75784-0244	OPTION 2	T/H 2.79	UNIVERSAL

iPass™ IS A TRADEMARK OF MOLEX

THIS DRAWING CONTAINS INFORMATION THAT IS PROPRIETARY TO MOLEX ELECTRONIC TECHNOLOGIES, LLC AND SHOULD NOT BE USED WITHOUT WRITTEN PERMISSION										
DIMENSION UNITS	SCALE	CURRENT REV DESC: 75784-0136 & 75784-0137, Mentioned part numbers have been re-added to the Doc.								
mm	1:1	molex								
GENERAL TOLERANCES (UNLESS SPECIFIED)		I-PASS VERT CONNECTOR INTERNAL ASSY W/SHELL 0.8MM PITCH I/O								
ANGULAR TOL ± 0.5°		PRODUCT SALES DRAWING								
4 PLACES ±	±	STATUS: Production		2024-02-23		DOCUMENT NUMBER		DOC TYPE	DOC PART	REVISION
3 PLACES ±	±	DRWN: Vishal Ramesh Hosur		2024-02-26		SD-75784-001		PSD	001	D8
2 PLACES ± 0.130	±	CHK'D: Ganesh Rao B		2024-02-26		MATERIAL NUMBER		CUSTOMER		SHEET NUMBER
1 PLACE ± 0.25	±	APPR: Gurunandan GA		2024-02-26		SEE TABLE		GENERAL MARKET		6 OF 12
0 PLACES ±	±	DRAFT WHERE APPLICABLE MUST REMAIN WITHIN DIMENSIONS		THIRD ANGLE PROJECTION	DRAWING	SERIES	MATERIAL NUMBER		CUSTOMER	
				C-SIZE	75784	SEE TABLE		GENERAL MARKET		6 OF 12

68 CIRCUIT ITEM NUMBERS

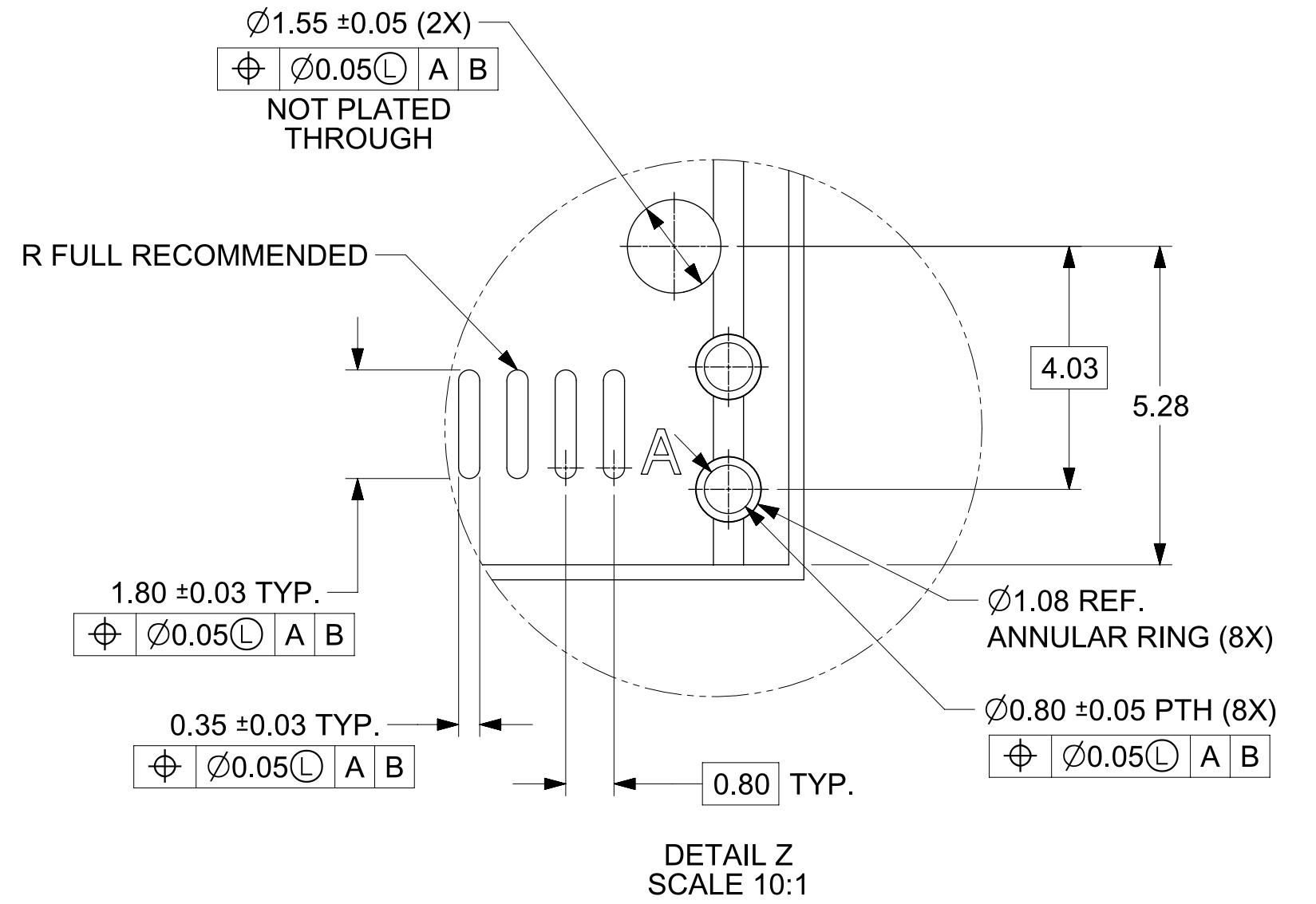
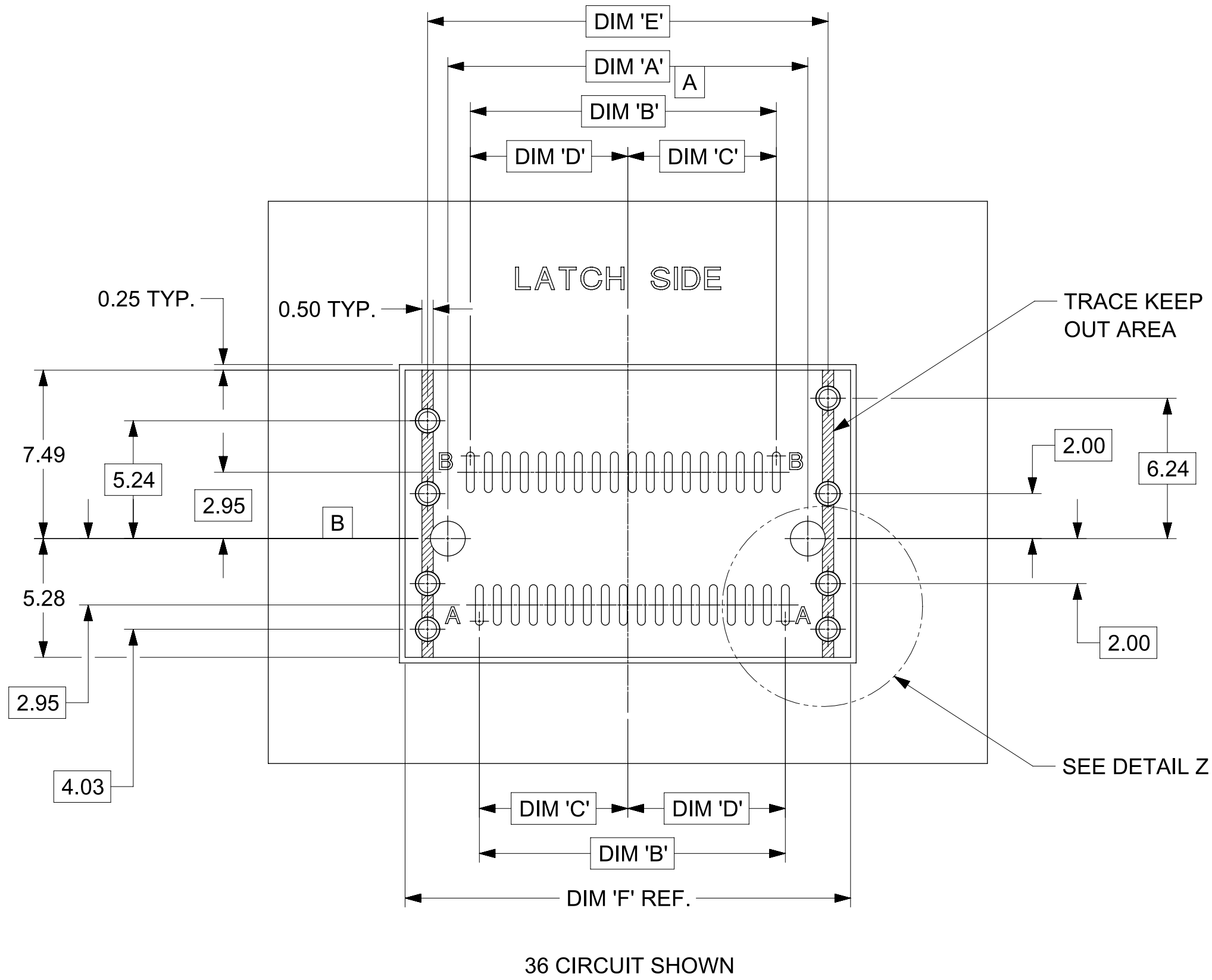
CIRCUIT SIZE	ITEM NUMBER	PLATING OPTION	SHELL PCB OPTION	SHELL KEY OPTION
68	75784-0332	OPTION 1	T/H 1.96	UNIVERSAL

CIRCUIT SIZE	ITEM NUMBER	PLATING OPTION	SHELL PCB OPTION	SHELL KEY OPTION
68	75784-0338	OPTION 1	T/H 2.79	RIGHT
68	75784-0340	OPTION 1	T/H 2.79	UNIVERSAL
68	75784-0348	OPTION 1	T/H 3.18	UNIVERSAL

iPass™ IS A TRADEMARK OF MOLEX

THIS DRAWING CONTAINS INFORMATION THAT IS PROPRIETARY TO MOLEX ELECTRONIC TECHNOLOGIES, LLC AND SHOULD NOT BE USED WITHOUT WRITTEN PERMISSION										
DIMENSION UNITS	SCALE	CURRENT REV DESC: 75784-0136 & 75784-0137, Mentioned part numbers have been re-added to the Doc.			molex					
mm	1:1				I-PASS VERT CONNECTOR INTERNAL ASSY W/SHELL 0.8MM PITCH I/O					
GENERAL TOLERANCES (UNLESS SPECIFIED)					PRODUCT SALES DRAWING					
ANGULAR TOL	± 0.5°									
4 PLACES	±									
3 PLACES	±									
2 PLACES	± 0.130	STATUS: Production								
1 PLACE	± 0.25	DRWN: Vishal Ramesh Hosur			2024-02-23	DOCUMENT NUMBER				
0 PLACES	±	CHK'D: Ganesh Rao B			2024-02-26	SD-75784-001				
DRAFT WHERE APPLICABLE MUST REMAIN WITHIN DIMENSIONS		THIRD ANGLE PROJECTION			DRAWING	SERIES	MATERIAL NUMBER		CUSTOMER	SHEET NUMBER
					C-SIZE	75784	SEE TABLE		GENERAL MARKET	7 OF 12

VERTICAL CONNECTOR WITH RETENTION FIT & THRU-HOLE SHELL PCB FOOT PRINT

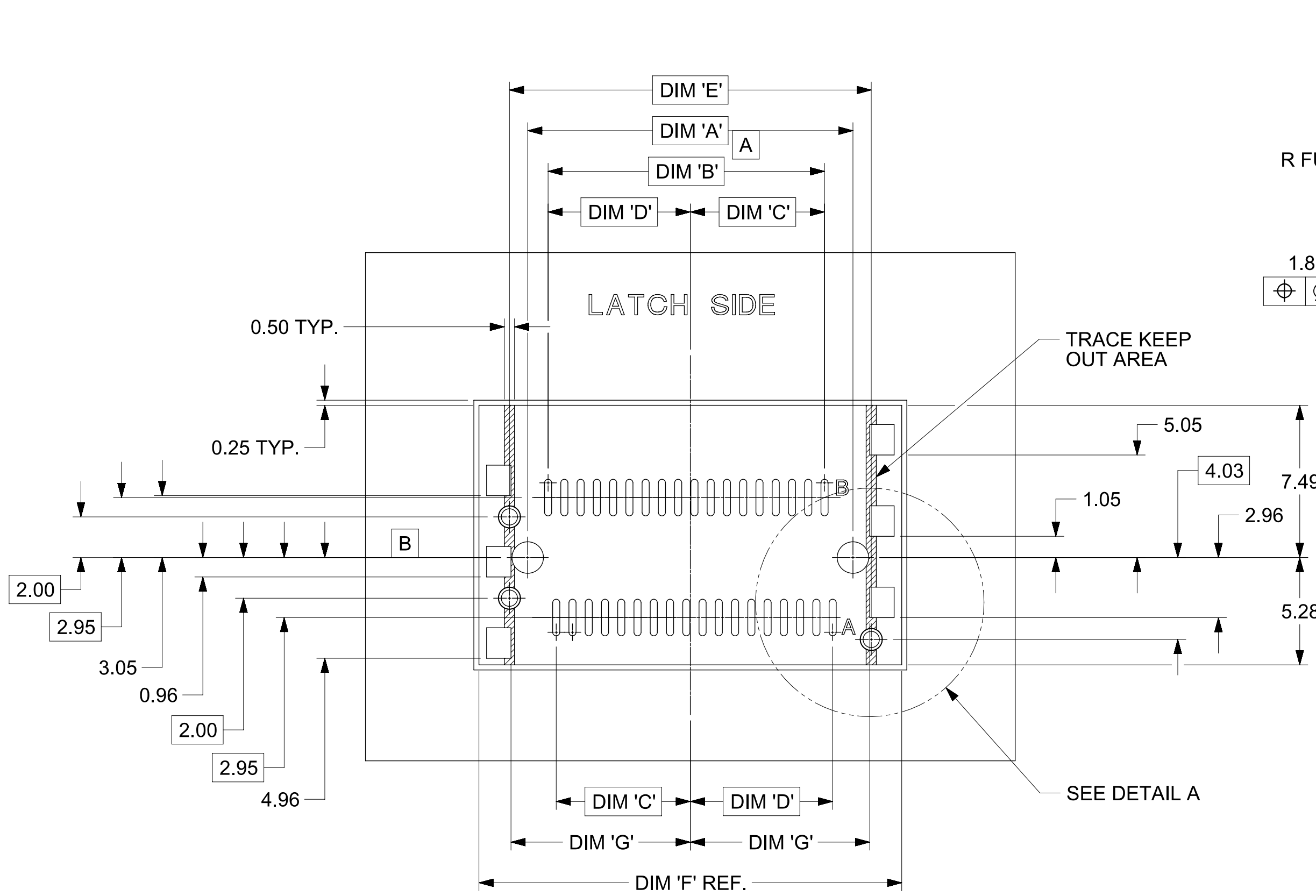


CIRCUIT SIZE	PEG TO PEG	FIRST TO LAST PAD	CENTERLINE TO PAD	CENTERLINE TO PAD	SHELL PEG TO PEG	SHELL FOOTPRINT WIDTH
	DIM 'A'	DIM 'B'	DIM 'C'	DIM 'D'	DIM 'E'	DIM 'F'
36	16.00	13.60	6.60	7.00	17.80	19.80
50	21.60	19.20	9.40	9.80	23.40	25.40
68	28.80	26.40	13.00	13.40	30.60	32.60

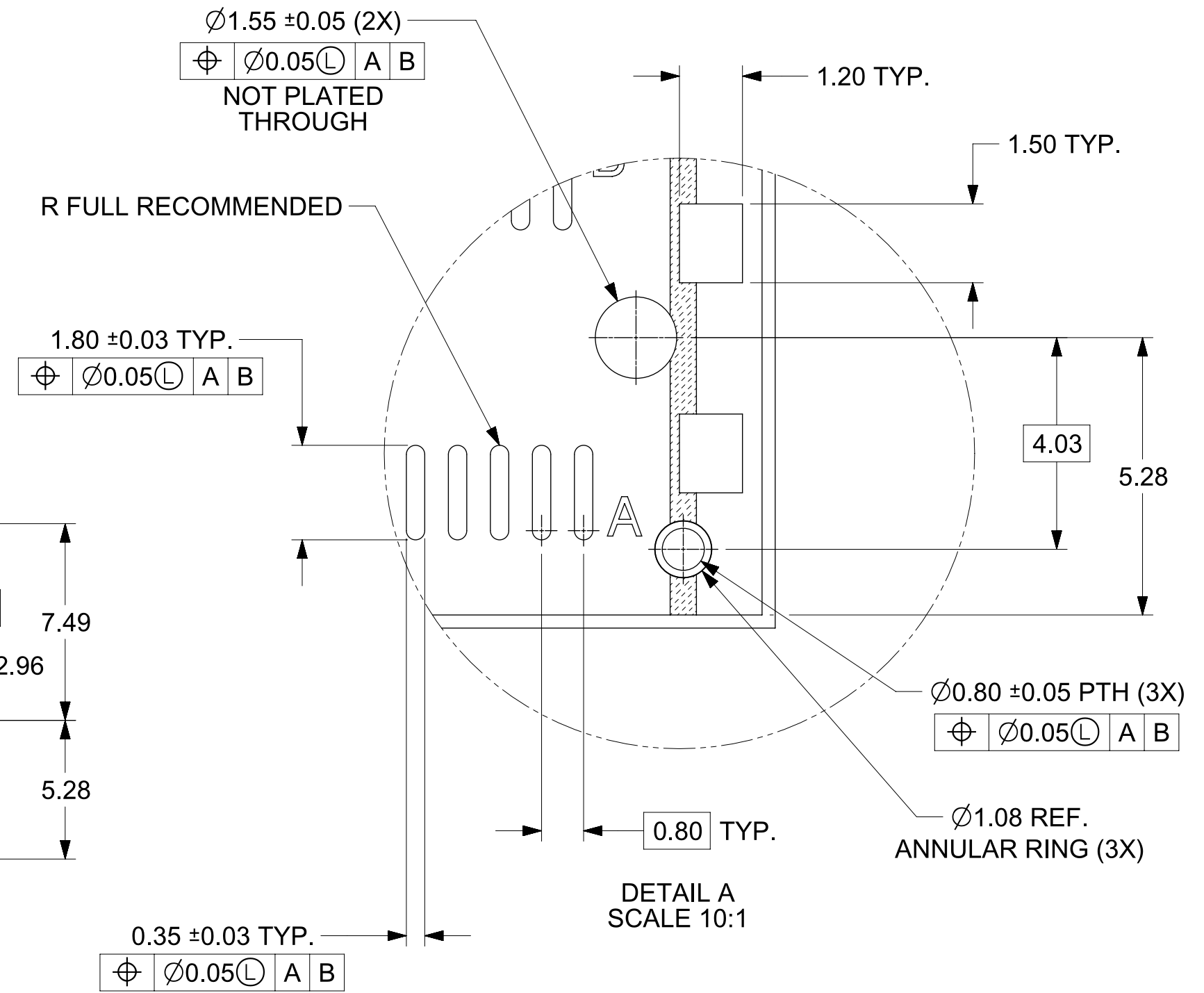
iPass™ IS A TRADEMARK OF MOLEX

THIS DRAWING CONTAINS INFORMATION THAT IS PROPRIETARY TO MOLEX ELECTRONIC TECHNOLOGIES, LLC AND SHOULD NOT BE USED WITHOUT WRITTEN PERMISSION																							
DIMENSION UNITS	SCALE	CURRENT REV DESC: 75784-0136 & 75784-0137, Mentioned part numbers have been re-added to the Doc.																					
mm	5:1	<div style="font-size: 24px; font-weight: bold; margin-bottom: 10px;">molex</div> <p style="margin: 0;">I-PASS VERT CONNECTOR INTERNAL ASSY W/SHELL 0.8MM PITCH I/O</p> <p style="margin: 0;">PRODUCT SALES DRAWING</p> <table border="1" style="width: 100%; border-collapse: collapse; font-size: 8px;"> <tr> <td colspan="3" style="font-size: 8px;">DOCUMENT NUMBER</td> <td style="font-size: 8px;">DOC TYPE</td> <td style="font-size: 8px;">DOC PART</td> <td style="font-size: 8px;">REVISION</td> </tr> <tr> <td colspan="3" style="text-align: center; font-size: 12px;">SD-75784-001</td> <td style="text-align: center;">PSD</td> <td style="text-align: center;">001</td> <td style="text-align: center;">D8</td> </tr> </table>										DOCUMENT NUMBER			DOC TYPE	DOC PART	REVISION	SD-75784-001			PSD	001	D8
DOCUMENT NUMBER												DOC TYPE	DOC PART	REVISION									
SD-75784-001												PSD	001	D8									
GENERAL TOLERANCES (UNLESS SPECIFIED)																							
ANGULAR TOL ± 0.5°																							
4 PLACES	±																						
3 PLACES	±																						
2 PLACES	± 0.130																						
1 PLACE	± 0.25																						
0 PLACES	±																						
DRAFT WHERE APPLICABLE MUST REMAIN WITHIN DIMENSIONS		THIRD ANGLE PROJECTION	DRAWING	SERIES	MATERIAL NUMBER	CUSTOMER	SHEET NUMBER																
			C-SIZE	75784	SEE TABLE	GENERAL MARKET	8 OF 12																
		STATUS: Production		2024-02-23																			
		DRWN: Vishal Ramesh Hosur		2024-02-26																			
		CHK'D: Ganesh Rao B		2024-02-26																			
		APPR: Gurunandan GA		2024-02-26																			

VERTICAL CONNECTOR WITH SMT SHELL PCB FOOT PRINT



36 CIRCUIT SHOWN

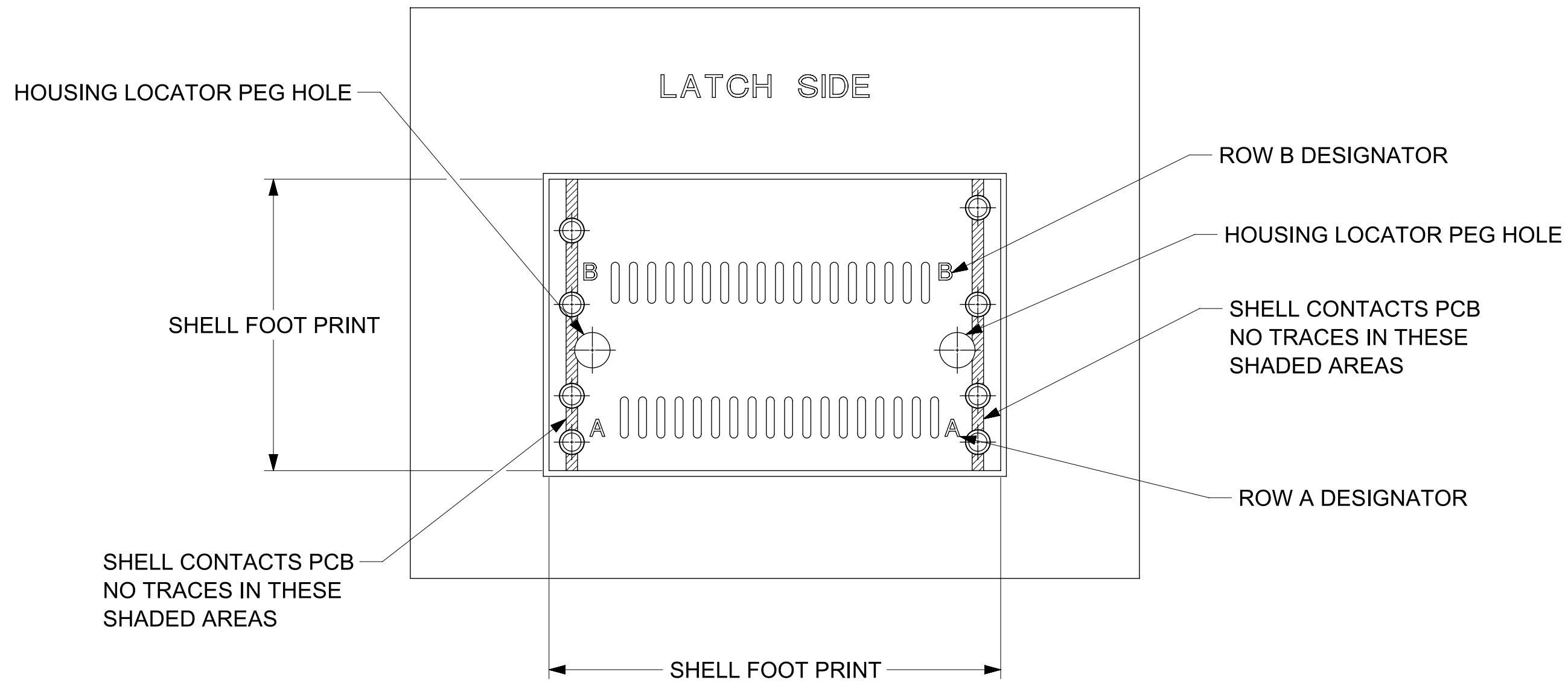


CIRCUIT SIZE	DIM 'A'	DIM 'B'	DIM 'C'	DIM 'D'	DIM 'E'	DIM 'F'	DIM 'G'
36	16.00	13.60	6.60	7.00	17.80	20.80	8.825
50	21.60	19.20	9.40	9.80	23.40	26.40	11.625
68	28.80	26.40	13.00	13.40	30.60	33.60	15.225

iPass™ IS A TRADEMARK OF MOLEX

THIS DRAWING CONTAINS INFORMATION THAT IS PROPRIETARY TO MOLEX ELECTRONIC TECHNOLOGIES, LLC AND SHOULD NOT BE USED WITHOUT WRITTEN PERMISSION									
DIMENSION UNITS mm		SCALE 5:1		CURRENT REV DESC: 75784-0136 & 75784-0137, Mentioned part numbers have been re-added to the Doc.					
molex									
I-PASS VERT CONNECTOR INTERNAL ASSY W/SHELL 0.8MM PITCH I/O									
PRODUCT SALES DRAWING									
GENERAL TOLERANCES (UNLESS SPECIFIED)				STATUS: Production		DRWN: Vishal Ramesh Hosur		2024-02-23	
ANGULAR TOL ± 0.5°				4 PLACES ±		3 PLACES ±		2 PLACES ± 0.130	
1 PLACE ± 0.25				0 PLACES ±		CHK'D: Ganesh Rao B		2024-02-26	
DRAFT WHERE APPLICABLE MUST REMAIN WITHIN DIMENSIONS				THIRD ANGLE PROJECTION		DRAWING		SERIES	
SEE TABLE				C-SIZE		75784		MATERIAL NUMBER	
GENERAL MARKET				CUSTOMER		SHEET NUMBER		REVISION	
9 OF 12				SD-75784-001		PSD 001 D8		DOC TYPE DOC PART	

VERTICAL CONNECTOR WITH SHELL PCB FOOT PRINT DESCRIPTIONS

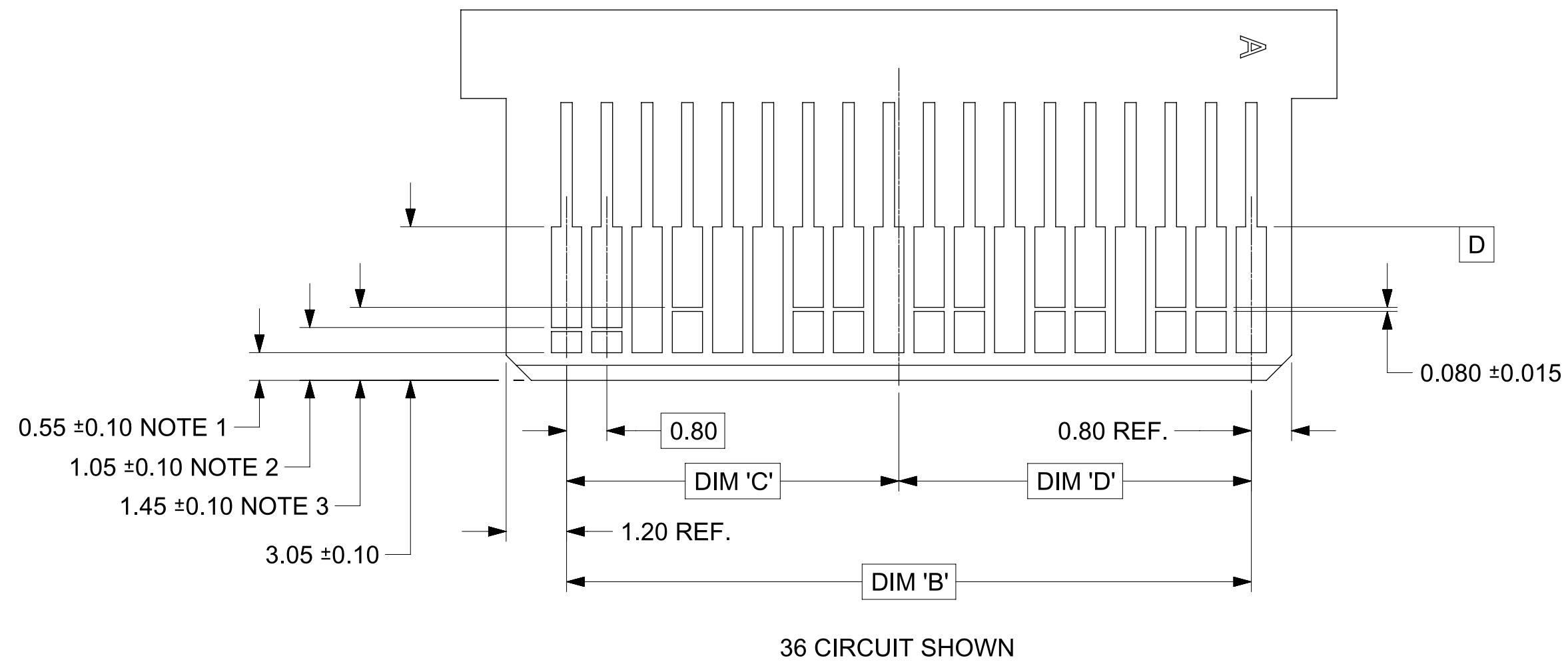
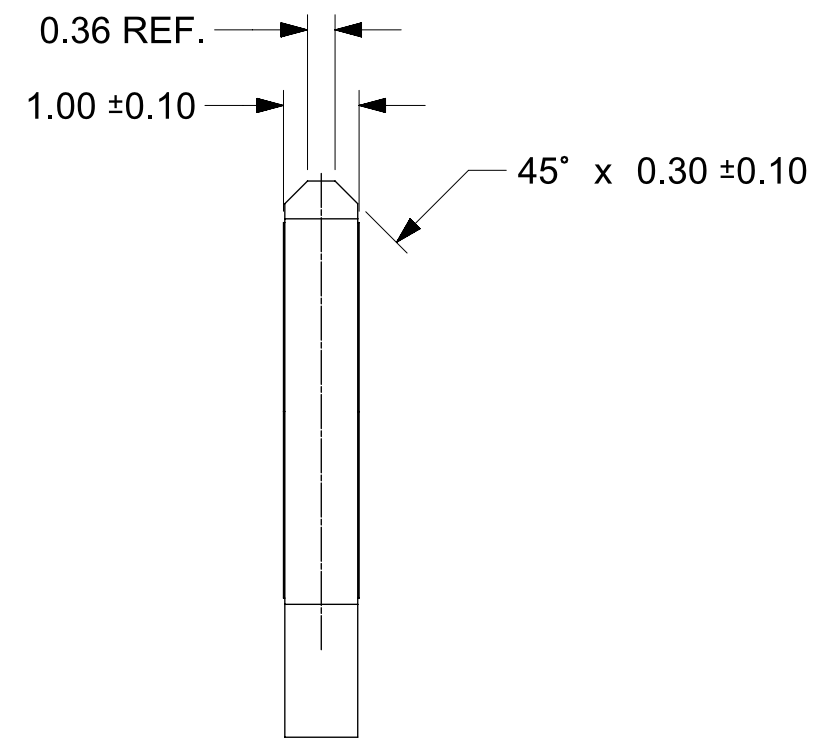
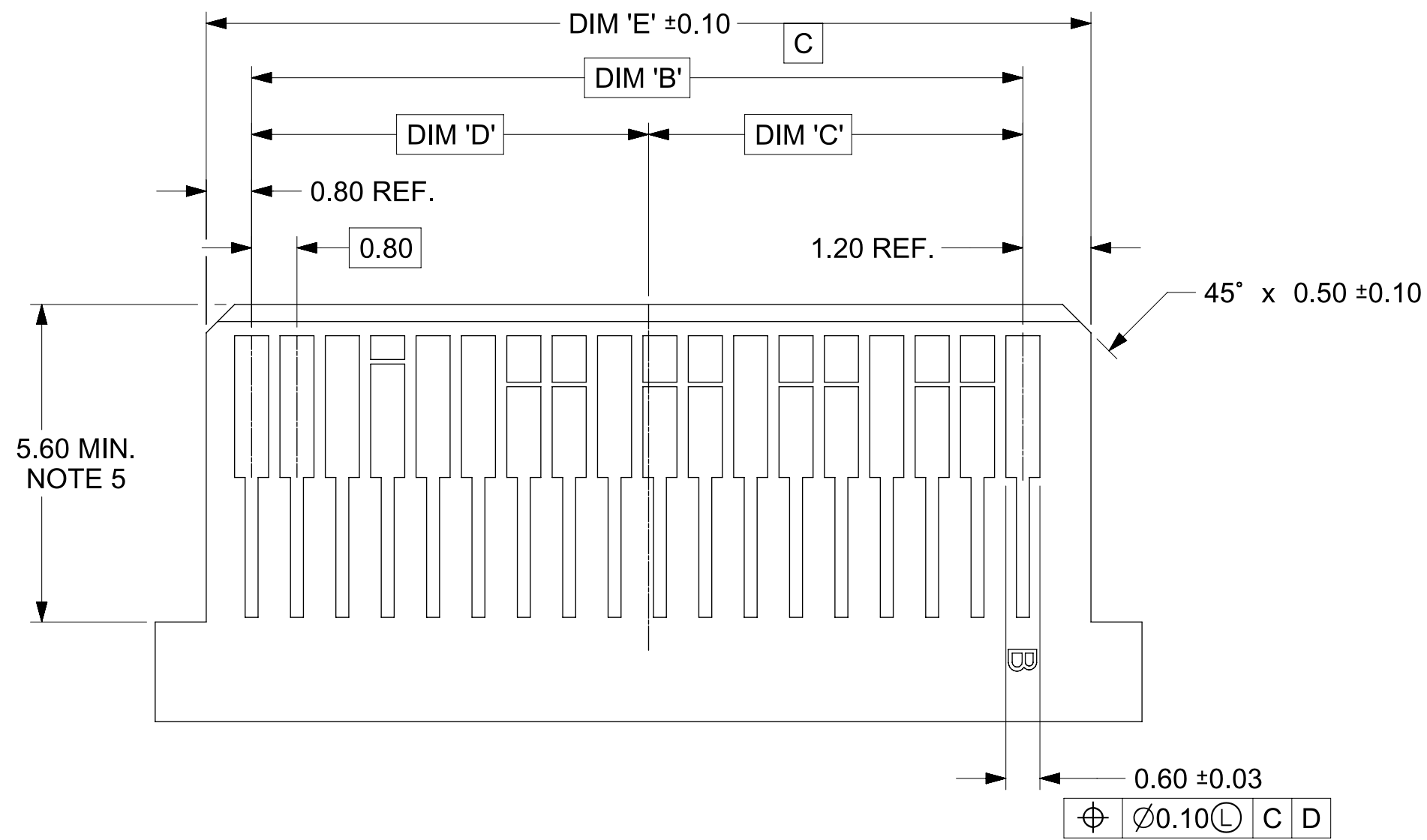


36 CIRCUIT SHOWN

iPass™ IS A TRADEMARK OF MOLEX

THIS DRAWING CONTAINS INFORMATION THAT IS PROPRIETARY TO MOLEX ELECTRONIC TECHNOLOGIES, LLC AND SHOULD NOT BE USED WITHOUT WRITTEN PERMISSION									
DIMENSION UNITS	SCALE	CURRENT REV DESC: 75784-0136 & 75784-0137, Mentioned part numbers have been re-added to the Doc.							
mm	5:1								
GENERAL TOLERANCES (UNLESS SPECIFIED)		<div style="font-size: 24px; font-weight: bold; margin-bottom: 10px;">molex</div> <p style="margin: 0;">I-PASS VERT CONNECTOR INTERNAL ASSY W/SHELL 0.8MM PITCH I/O</p> <p style="margin: 0;">PRODUCT SALES DRAWING</p>							
ANGULAR TOL ± 0.5°									
4 PLACES ±									
3 PLACES ±									
2 PLACES ± 0.130									
1 PLACE ± 0.25		STATUS: Production	2024-02-23	DOCUMENT NUMBER		DOC TYPE	DOC PART	REVISION	
0 PLACES ±		DRWN: Vishal Ramesh Hosur	2024-02-26	SD-75784-001		PSD	001	D8	
DRAFT WHERE APPLICABLE MUST REMAIN WITHIN DIMENSIONS		CHK'D: Ganesh Rao B	2024-02-26	MATERIAL NUMBER		CUSTOMER		SHEET NUMBER	
		APPR: Gurunandan GA	2024-02-26	SEE TABLE	GENERAL MARKET		10 OF 12		
		THIRD ANGLE PROJECTION	DRAWING	SERIES	75784				
			C-SIZE						

MATING INTERFACE (FOR REFERENCE ONLY)



- NOTES:
- PAD CONFIGURATION FOR FIRST MATE.
 - PAD CONFIGURATION FOR SECOND MATE.
 - PAD CONFIGURATION FOR THIRD MATE. (HIGH SPEED SIGNALS)
 - FOR PIN ASSIGNMENTS AND MATING SEQUENCE (1ST, 2ND, 3RD), SEE APPLICABLE SPECIFICATION.
 - MINIMUM STEP REQUIRED IF PCB MADE WIDER THAN TONGUE.


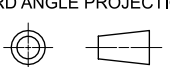
iPass™ IS A TRADEMARK OF MOLEX

CIRCUIT SIZE	TERM/SIDE 'N'	DIM 'B'	DIM 'C'	DIM 'D'	DIM 'E'
36	18	13.60	6.60	7.00	15.60
50	25	19.20	9.40	9.80	21.20
68	34	26.40	13.00	13.40	28.40

THIS DRAWING CONTAINS INFORMATION THAT IS PROPRIETARY TO MOLEX ELECTRONIC TECHNOLOGIES, LLC AND SHOULD NOT BE USED WITHOUT WRITTEN PERMISSION													
DIMENSION UNITS mm		SCALE 1:1		CURRENT REV DESC: 75784-0136 & 75784-0137, Mentioned part numbers have been re-added to the Doc.									
GENERAL TOLERANCES (UNLESS SPECIFIED)				<p>STATUS: Production</p> <p>DRWN: Vishal Ramesh Hosur 2024-02-23</p> <p>CHK'D: Ganesh Rao B 2024-02-26</p> <p>APPR: Gurunandan GA 2024-02-26</p>									
ANGULAR TOL ± 0.5°													
4 PLACES ±													
3 PLACES ±													
2 PLACES ± 0.130													
1 PLACE ± 0.25				DOCUMENT NUMBER SD-75784-001				DOC TYPE PSD		DOC PART 001		REVISION D8	
0 PLACES ±				PRODUCT SALES DRAWING				MATERIAL NUMBER SEE TABLE		CUSTOMER GENERAL MARKET		SHEET NUMBER 11 OF 12	
DRAFT WHERE APPLICABLE MUST REMAIN WITHIN DIMENSIONS				THIRD ANGLE PROJECTION		DRAWING C-SIZE		SERIES 75784					

REVISION DESCRIPTION

REV	DATE	DESCRIPTION
D5	2019/4/17	DRAWING MIGRATION TO ECTR
D6	2021/08/03	OBSOLETE PART NUMBERS: 757840008,757840019,757840020,757840021,757840022,757840023,757840024,757840029,757840030,757840031,757840033, 757840034,757840035,757840107,757840108,757840130,757840135,757840145,757840146,757840149,757840153,757840154, 757840155,757840157,757840158,757840207,757840209,757840210,757840211,757840219,757840220,757840221,757840222, 757840223,757840224,757840227,757840228,757840229,757840230,757840231,757840233,757840234,757840235,757840236, 757840237,757840238,757840239,757840241,757840242,757840243,757840246,757840247,757840248,757840249,757840250, 757840251,757840309,757840310,757840311,757840312,757840319,757840321,757840322,757840323,757840325,757840331, 757840335,757840339,757840341,757840342,757840343,757840345,757840346,757840347,757840349,757840350
D7	2023/03/29	1)OBSOLETE PART NUMBERS 757840050, 757840252, 757840051, 757840052, 757840012, 757840336, 757840337, 757840141, 757840142, 757840025, 757840344, 757840028, 757840026, 757840032, 757840150, 757840151, 757840352, 757840232, 757840039, 757840037, 757840038, 757840042, 757840240, 757840043, 757840040, 757840041, 757840046, 757840047, 757840121, 757840045, 757840127, 757840007, 757840048, 757840049. 2)REMOVED SHEET 5 AND REMOVED 26 CKT ITEM NUMBERS
D8	2024/02/23	75784-0136 & 75784-0137, MENTIONED PART NUMBER HAVE BEEN RE-ADDED TO THE SHEET 5.

THIS DRAWING CONTAINS INFORMATION THAT IS PROPRIETARY TO MOLEX ELECTRONIC TECHNOLOGIES, LLC AND SHOULD NOT BE USED WITHOUT WRITTEN PERMISSION												
DIMENSION UNITS		SCALE	CURRENT REV DESC: 75784-0136 & 75784-0137, Mentioned part numbers have been re-added to the Doc.									
mm		1:1	 <p>I-PASS VERT CONNECTOR INTERNAL ASSY W/SHELL 0.8MM PITCH I/O</p> <p>PRODUCT SALES DRAWING</p>									
GENERAL TOLERANCES (UNLESS SPECIFIED)												
ANGULAR TOL ± 0.5°												
4 PLACES ±												
3 PLACES ±												
2 PLACES ± 0.130												
1 PLACE ± 0.25			STATUS: Production		2024-02-23		DOCUMENT NUMBER		DOC TYPE	DOC PART	REVISION	
0 PLACES ±			DRWN: Vishal Ramesh Hosur		2024-02-26		SD-75784-001		PSD	001	D8	
DRAFT WHERE APPLICABLE MUST REMAIN WITHIN DIMENSIONS			THIRD ANGLE PROJECTION		DRAWING		SERIES		MATERIAL NUMBER		CUSTOMER	SHEET NUMBER
					C-SIZE		75784		SEE TABLE		GENERAL MARKET	12 OF 12

- Low-Halogen

多部分行业合规性文件

- IPC 1752A Class C

- IPC 1752A Class D

- Molex Product Compliance Declaration

- IEC-62474

- chemSHERPA (xml)

欧盟 RoHS 合格证书

产品详情

常规

状态	活动
类别	高速连接器
系列	75784
说明	0.80mm Pitch, iPass I/O Surface Mount Receptacle, Vertical, Internal Assembly with Shell, 36 Circuit, 0.76µm Gold (Au), Through Hole Option, Tail Length 3.56mm, Universal Key
应用	Wire-to-Board
个评论	Positive or passive latching cable available
元件类型	Receptacle
产品系列	iPass Connector System
产品名称	iPass, Mini Multi-Lane, PCI Express
类型	Pluggable
UPC	822350356282

机构

CSA	LR19980
UL	E29179

电气

每触点最大电流	0.5A
面板接地	无
电压 - 最大	30V AC (RMS)/DC

物理

回路数 (已载入)	36
电路数 (最多)	36
颜色-树脂	黑色
耐用性(插拔次数) - 最多次数	250
阻燃性	94V-0
性别	女
插接极性	是
锁定插接部位	无
材料 - 金属	Copper-Nickel-Zinc, High Performance Alloy (HPA)
材料 - 接合部位电镀	金牌
材料 - 终端电镀	Tin
材料 - 树脂	High Temperature Thermoplastic
净重	3.996/g
行数	2
方向	垂直
包装形式	Embossed Tape on Reel
面板安装式	否
PC 焊脚长度	3.56mm
PCB 定位器	是
PCB 保持力	是
推荐的 PCB 厚度	3.18mm
间距 - 插配接口	0.80mm
间距 - 终端界面	0.80mm
最薄镀层 - 接合部位	0.762 μ m
最薄镀层 - 端接	2.540 μ m
有极性的插配件	是
端口	1
运行温度范围	-40° to +80° C
终端界面类型	Surface Mount and Through Hole
防水/防尘	否
导线绝缘直径	不适用
线径规格 (AWG)	不适用

进程

最长持续时间	20
无铅	REFLOW
最大周期	1
最高温度	260

可连接使用部件

描述	产品编号
iPass Cable Assemblies	<u>74573</u>
Internal iPass Mini SAS Double-Ended Plugs	<u>79576</u>