



产品编号 : 761555807

**Product Description** : Impact 100 Ohm 4  
Pair Vertical Backplane Header, Right  
Guided, Open Endwall, 8 Columns, 96  
Circuits, Pin Length 4.90mm, Plated  
Through Hole Dimension 0.39mm, Lead-Free

系列号 : 76155

**状态** : Active

**Product Category** : Backplane Connectors

---

## 文件和资源

### 图纸

图纸 761555807\_sd.pdf

包装设计图 PK-70873-757-001.pdf

### 3D 模型和设计文件

3D模型 761555807\_stp.zip

符号足迹数据 SYM-76155-5807-001.zip

### 规格

应用规格 AS-76060-990-001.pdf

应用规格 AS-76060-9999-001.pdf


产品规格 PS-45499-002-001.pdf

测试摘要 TS-76160-0001-001.pdf

---

## 产物环境合规

### 合规

GADSL/IMDS	Compliant with Exemption 44; 34; 33
China RoHS	
EU ELV	Not Relevant
Low-Halogen Status	Low-Halogen per IEC 61249-2-21
REACH SVHC	Not Contained per D(2023)8585-DC (23 Jan 2024)
EU RoHS	Compliant per EU 2015/863

### 多部分产品合规性声明

- Eu RoHS
- REACH SVHC
- Low-Halogen

- IPC 1752A Class C
- IPC 1752A Class D
- Molex Product Compliance Declaration
- IEC-62474
- chemSHERPA (xml)

欧盟 RoHS 合格证书

## 产品详情

### 常规

状态	活动
类别	Backplane Connectors
系列	76155
说明	Impact 100 Ohm 4 Pair Vertical Backplane Header, Right Guided, Open Endwall, 8 Columns, 96 Circuits, Pin Length 4.90mm, Plated Through Hole Dimension 0.39mm, Lead-Free
应用	Conventional
元件类型	PCB Header
产品系列	Impact Backplane Connector and Cable Assembly System
产品名称	Impact
UPC	883906417512

### 机构

UL	E29179
----	--------

### 电气

每触点最大电流	0.75A
数据传输率	25.0 Gbps
阻抗	100 Ω
屏蔽形式	不适用
屏蔽	否
电压 - 最大	30V AC (RMS)/DC

### 物理

回路数 (已载入)	96
-----------	----

电路数 (最多)	96
颜色-树脂	黑色
耐用性(插拔次数) - 最多次数	200
先接后断	否
阻燃性	94V-0
可配插产品指南	是
插接极性	无
材料 - 金属	High Performance Alloy (HPA)
材料 - 接合部位电镀	金牌
材料 - 终端电镀	Tin
材料 - 树脂	High Temperature Thermoplastic
净重	5.243/g
列数	8
线对数	4
行数	12
方向	垂直
包装形式	Tray
PC 焊脚长度	1.40mm
PCB 定位器	否
PCB 保持力	是
推荐的 PCB 厚度	1.00mm
间距 - 插配接口	1.90mm
间距 - 终端界面	1.90mm
最薄镀层 - 接合部位	0.762µm
PCB 极性	是
可堆叠的	否
运行温度范围	-55° to +85° C
终端界面类型	Through Hole - Compliant Pin

## 进程

无铅	不适用
----	-----

---

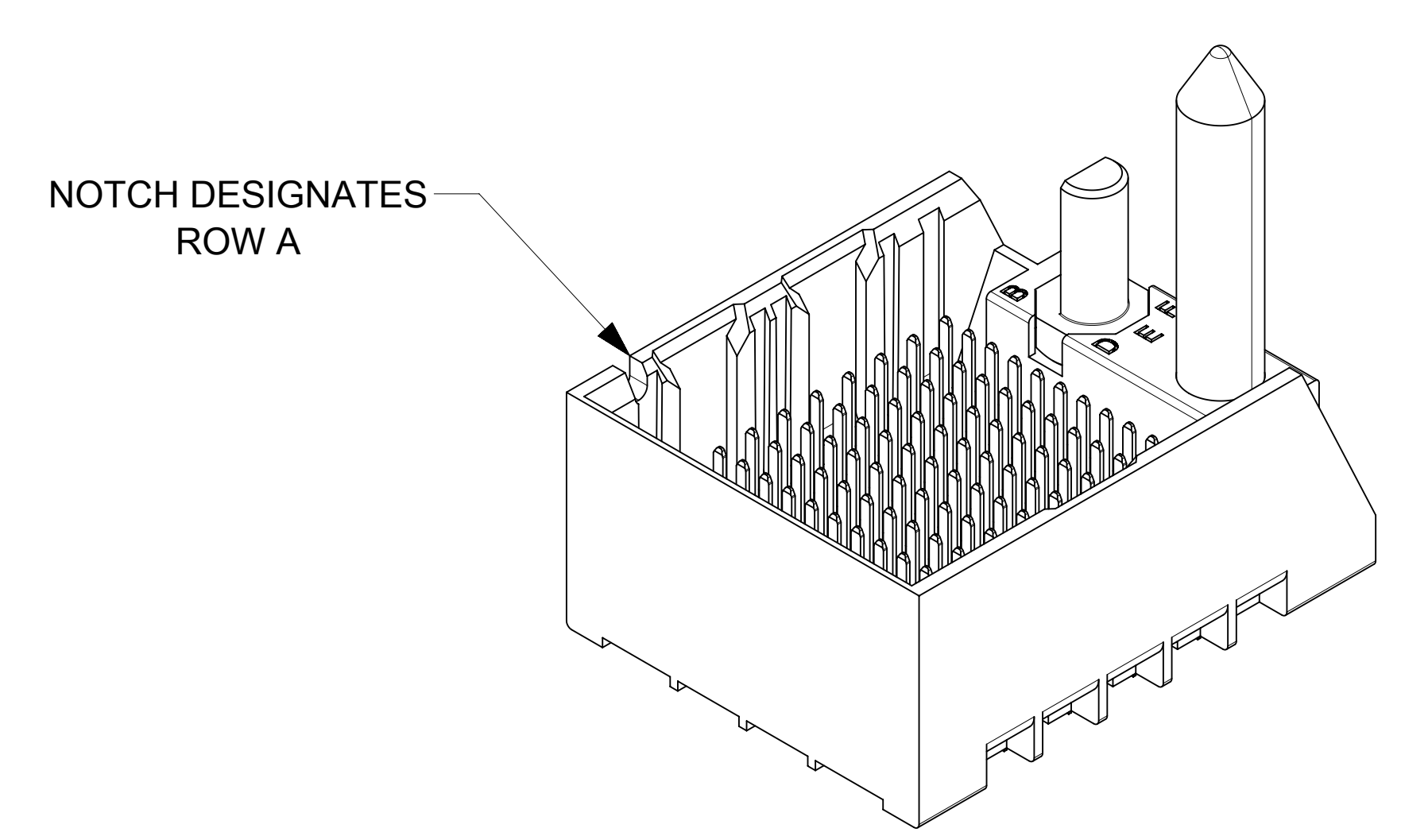
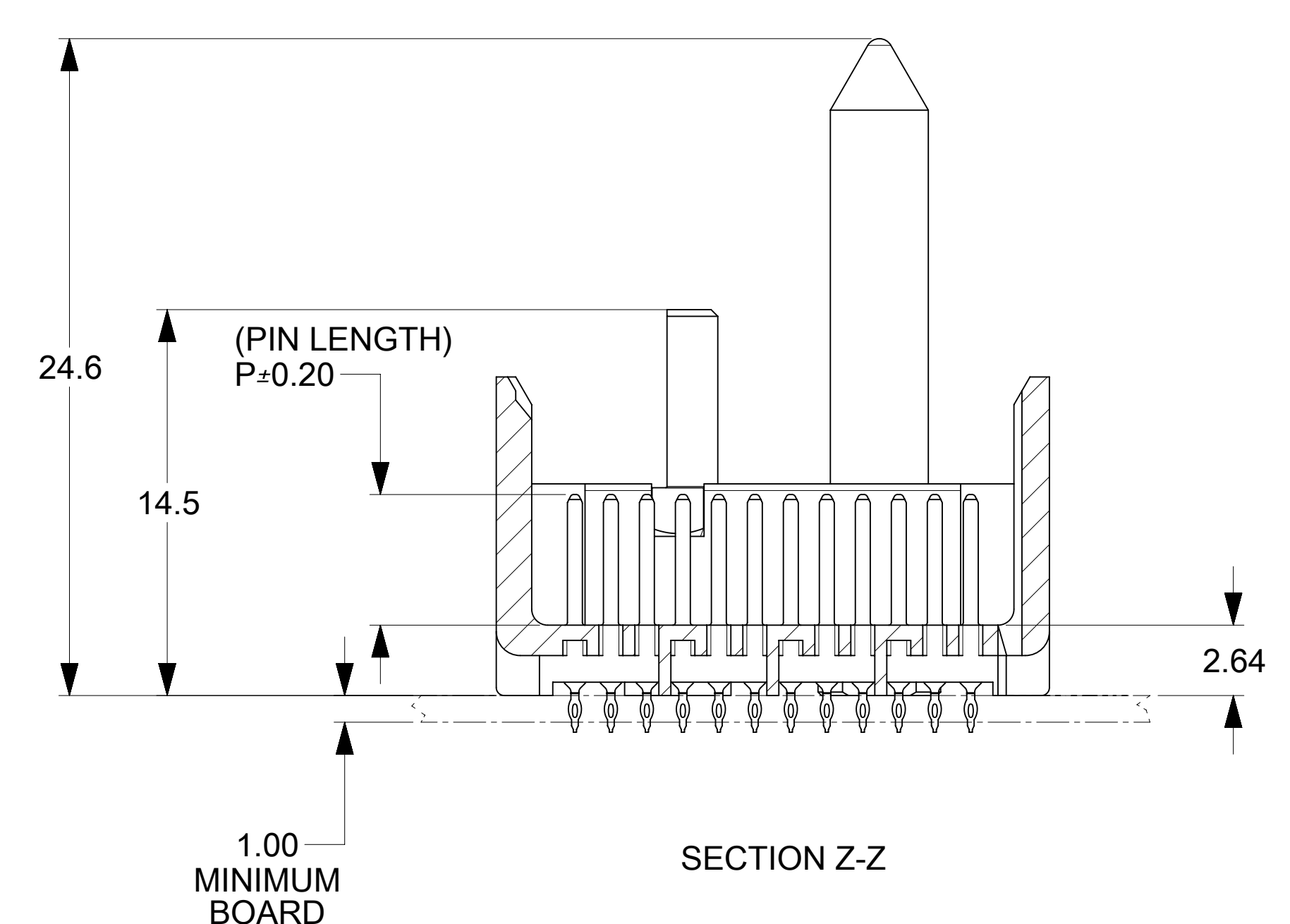
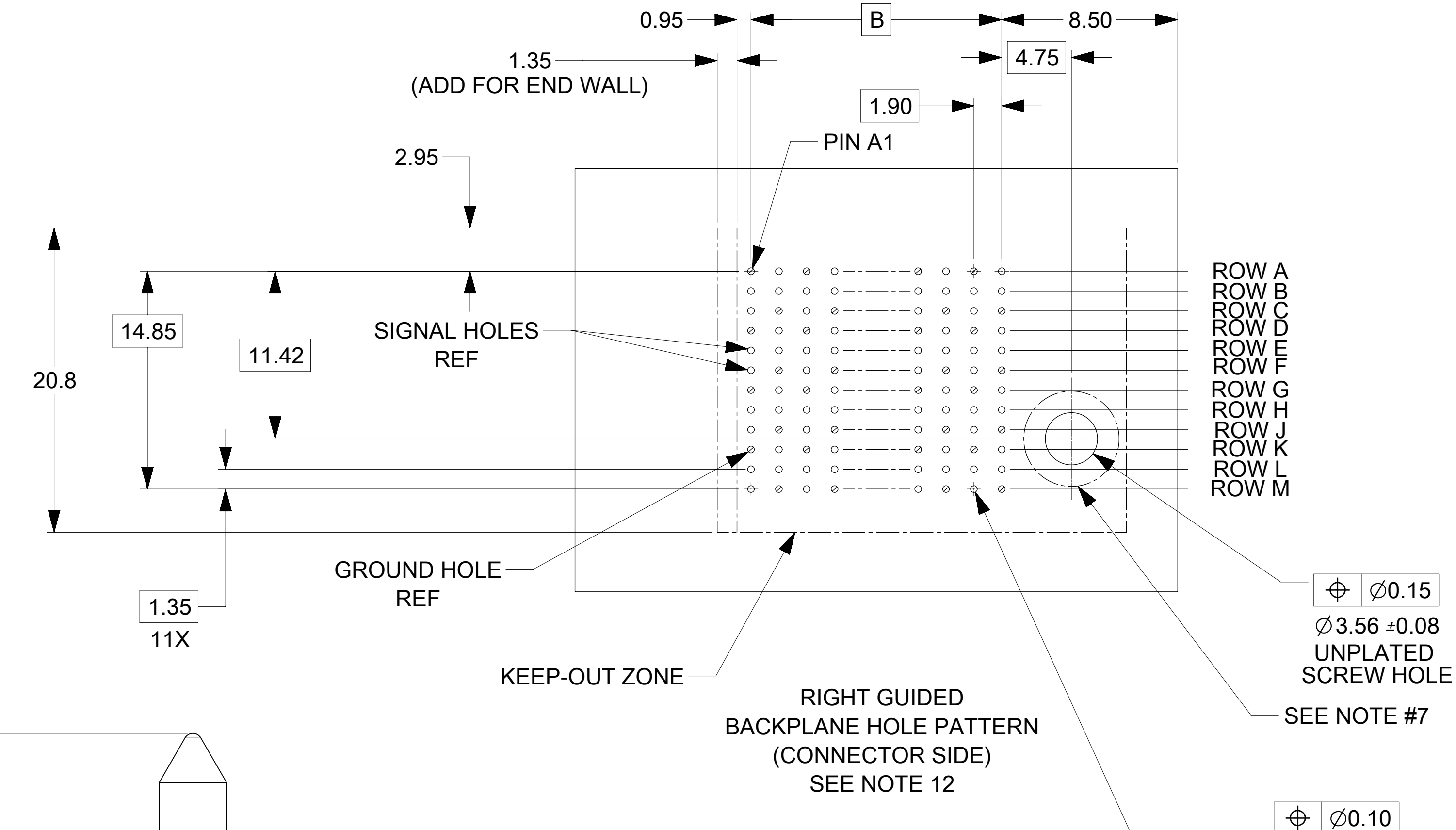
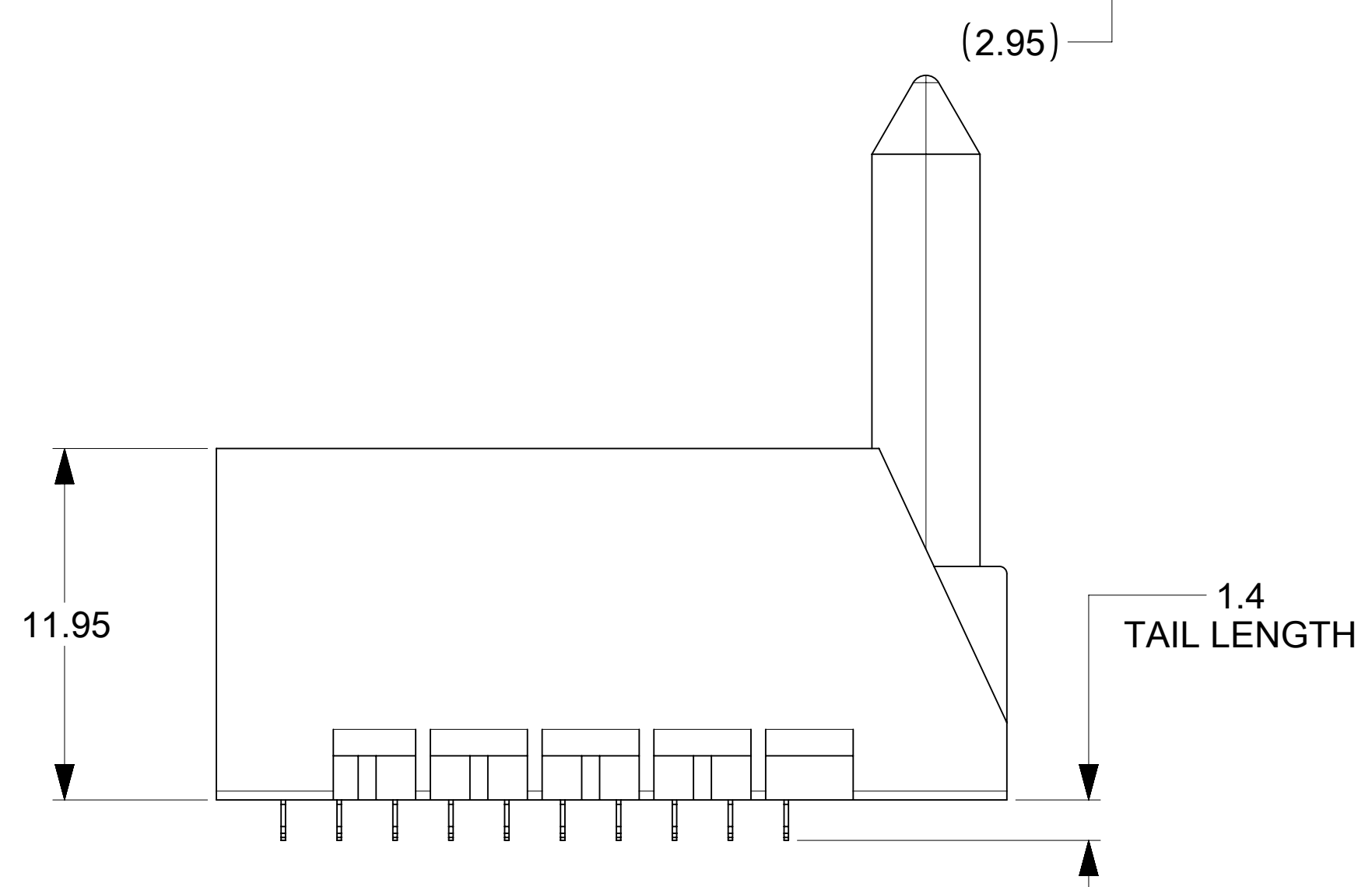
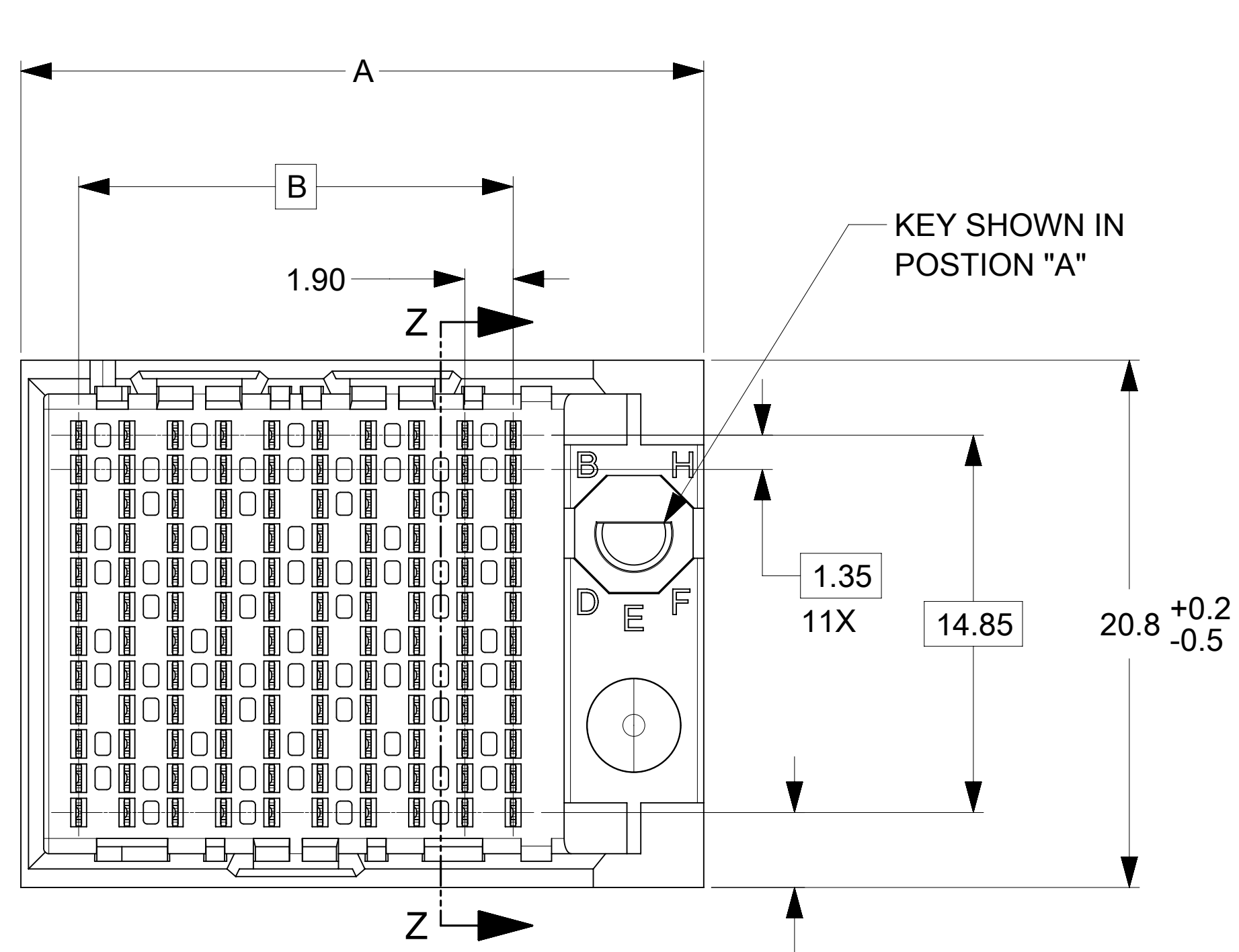
## 可配插/可连接使用的产品

### 可配插部件

描述	产品编号
Impact 100 Ohm 4 Pair Right-Angle Daughtercard Receptacles	<u>76160</u>

---

This document was generated on Jul 01, 2024

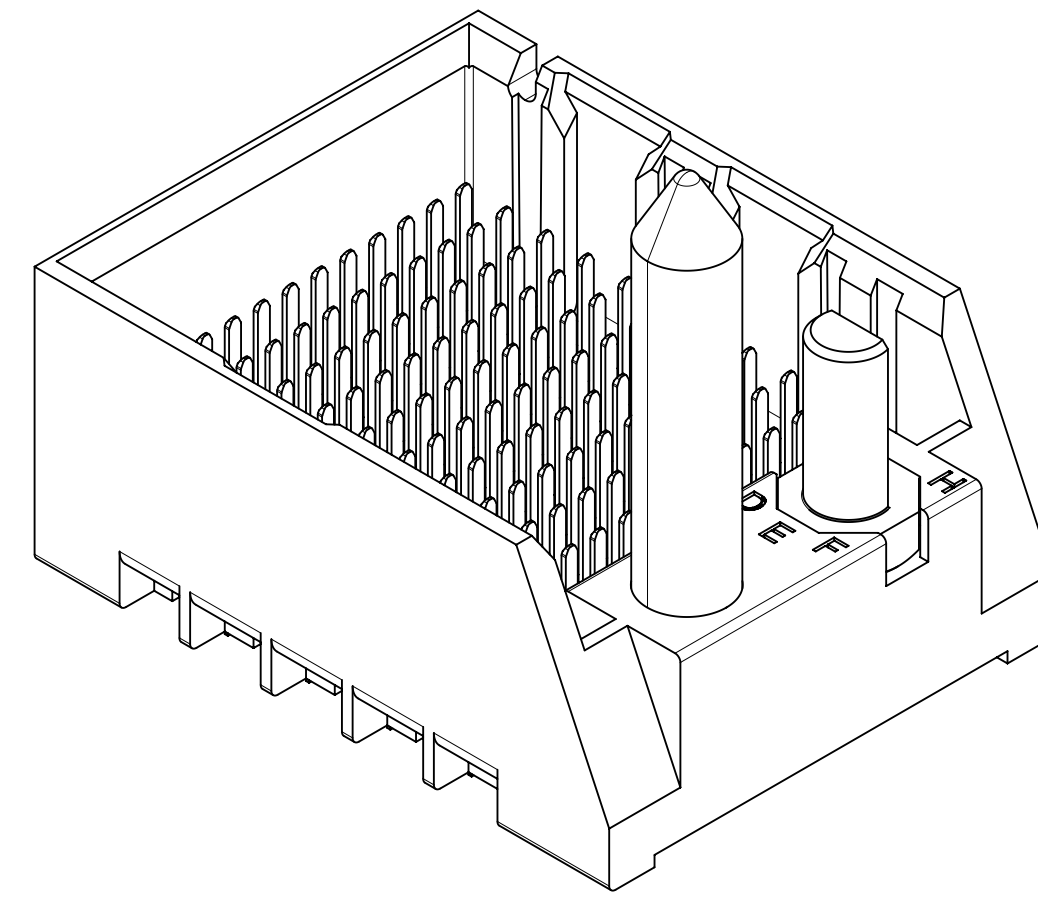


- NOTES:
1. MATERIALS: HOUSING - LIQUID CRYSTAL POLYMER (LCP) GLASS-FILLED, UL94V-0  
TERMINALS - HIGH PERFORMANCE COPPER ALLOY
  2. FINISH: 30 $\mu$  MIN GOLD IN CONTACT AREA.  
SELECTIVE TIN ON PCB TAILS.  
NICKEL OVERALL.
  3. REFER TO MOLEX PRODUCT SPECIFICATION PS-76060-999 FOR PERFORMANCE SPECIFICATIONS AND ADDITIONAL PCB INFORMATION.
  4. THIS PART CONFORMS TO CLASS B REQUIREMENTS OF MOLEX COSMETIC SPEC PS-45499-002.
  5. PACKAGE PER: PK-70873-757.
  6. SEE SHEETS 2 & 3 FOR PART NUMBERS AND BOARD RELATIONSHIPS.
  7. FOR GROUNDED GUIDE PINS USE DIA. 3.56 +/-0.08 (PTH) DIA. 3.66 (DRILL) AND DIA 6.5 (PAD).
  8. MATES WITH IMPACT DC SERIES NO. 76160.
  9. KEEP OUT ZONE FOR BP HOUSING LENGTH INCLUDES AN ADDITIONAL 1.0MM TO ACCOMMODATE FOR SPACE REQUIRED BY DC FRONT HOUSING.
  10. REFER TO MOLEX PCB ROUTING GUIDE AS-76060-990 FOR ANTIPAD AND ROUTING RECOMMENDATIONS.
  11. CONNECTORS SUPPLIED WITH A 2-56 UNC-2A SCREW.
  12. "THESE DIMENSIONS REPRESENT THE AREA NEEDED TO ACCOMMODATE CONNECTOR INSERTION AND REPAIR ON THE PC BOARD. THIS IS REFERRED TO AS THE "CONNECTOR KEEP OUT ZONE" AND DOES NOT REPRESENT THE ACTUAL PERIMETER OF THE CONNECTOR. WHEN LAYING OUT A PC BOARD FOR CONNECTORS STACKED TOGETHER, USE A 1.9mm PROGRESSION."

QUALITY SYMBOLS		THIS DRAWING CONTAINS INFORMATION THAT IS PROPRIETARY TO MOLEX ELECTRONIC TECHNOLOGIES, LLC AND SHOULD NOT BE USED WITHOUT WRITTEN PERMISSION			
$\nabla$ = 0	2017/09/25	GENERAL TOLERANCES (UNLESS SPECIFIED)		DIMENSION UNITS	SCALE
$\nabla$ = 0	2017/10/16	ANGULAR TOL $\pm 0.5^\circ$		mm	5:1
$\nabla$ = 0	2017/10/18	4 PLACES $\pm$	DRWN BY	DATE	
$\nabla$ = 0		3 PLACES $\pm$	TIBARRA	2012/11/26	
$\nabla$ = 0		2 PLACES $\pm 0.13$	CHKD BY	DATE	
$\nabla$ = 0		1 PLACE $\pm 0.25$	JBINGHAM	2012/12/18	
$\nabla$ = 0		0 PLACES $\pm$	APPR BY	DATE	
$\nabla$ = 0		DRAFT WHERE APPLICABLE MUST REMAIN WITHIN DIMENSIONS	SMILLER	2012/12/31	
$\nabla$ = 0			DRAWING SIZE	THIRD ANGLE PROJECTION	
			D		
MIGRATED TO NX		EC NO: 123322		SERIES	
DRWN: NMUNIVENKATA		2017/09/25		76155	
CHKD: PRAMASWAMY		2017/10/16		MATERIAL NUMBER	
REV: PRAMASWAMY		2017/10/18		SEE TABLE	
				CUSTOMER	
				GENERAL MARKET	
				DOCUMENT NUMBER	
				SD-76155-003	
				DOC TYPE	
				PSD	
				DOC PART	
				001	
				SHEET NUMBER	
				1 OF 3	

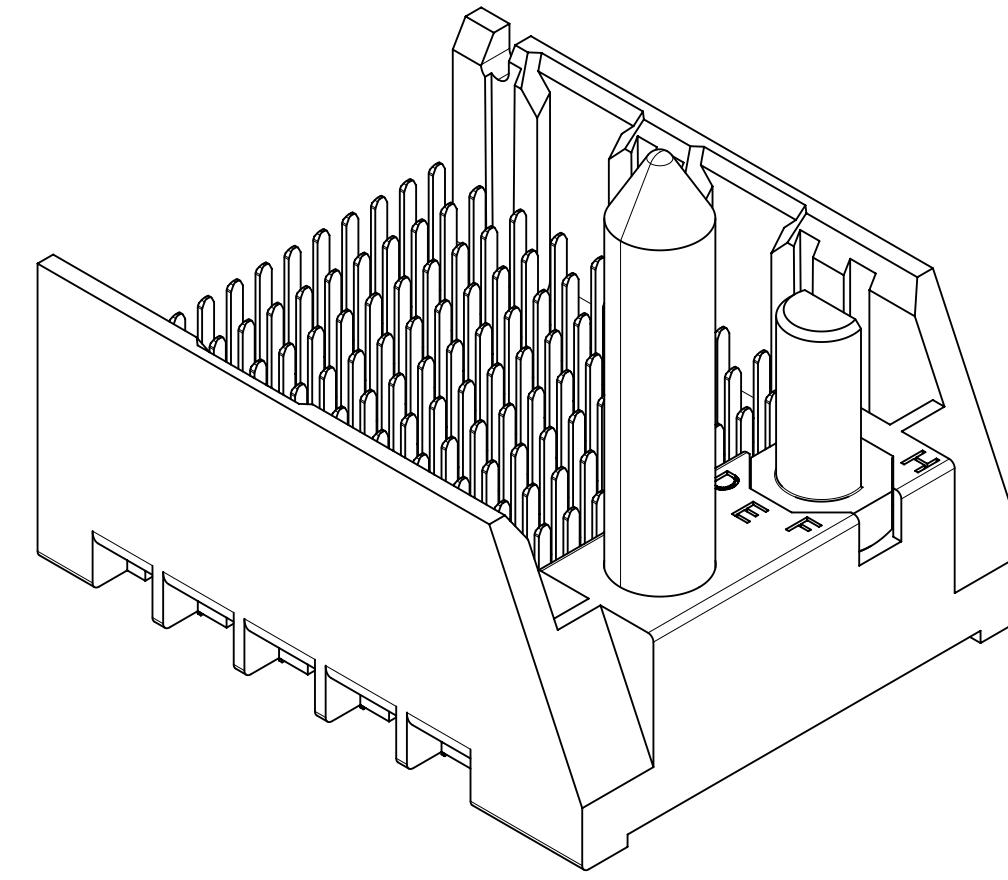
### PART NUMBER TABLE

MATERIAL NUMBER	# OF COLUMNS	# OF DIFF PAIR	DIM "A"	DIM "B"	
76155-*3**	6	24	19.3	9.50	GUIDE RIGHT END WALL OPTION
76155-*8**	8	32	23.1	13.30	
76155-*1**	10	40	26.9	17.10	
76155-*6**	16	64	38.3	28.50	



GUIDE RIGHT  
END WALL OPTION

MATERIAL NUMBER	# OF COLUMNS	# OF DIFF PAIR	DIM "A"	DIM "B"	
76155-*3**	6	24	17.9	9.50	GUIDE RIGHT OPEN WALL OPTION
76155-*8**	8	32	21.7	13.30	
76155-*1**	10	40	25.5	17.10	
76155-*6**	16	64	36.9	28.50	



GUIDE RIGHT  
OPEN WALL OPTION

### PART NUMBER LOGIC

**76155-\*\*\*\***

MODULE TYPE

- 5 = GUIDE RIGHT, TIN
- 9 = GUIDE RIGHT END WALL, TIN

MODULE TYPE

- 1 = 10 COL
- 3 = 6 COL
- 6 = 16 COL
- 8 = 8 COL

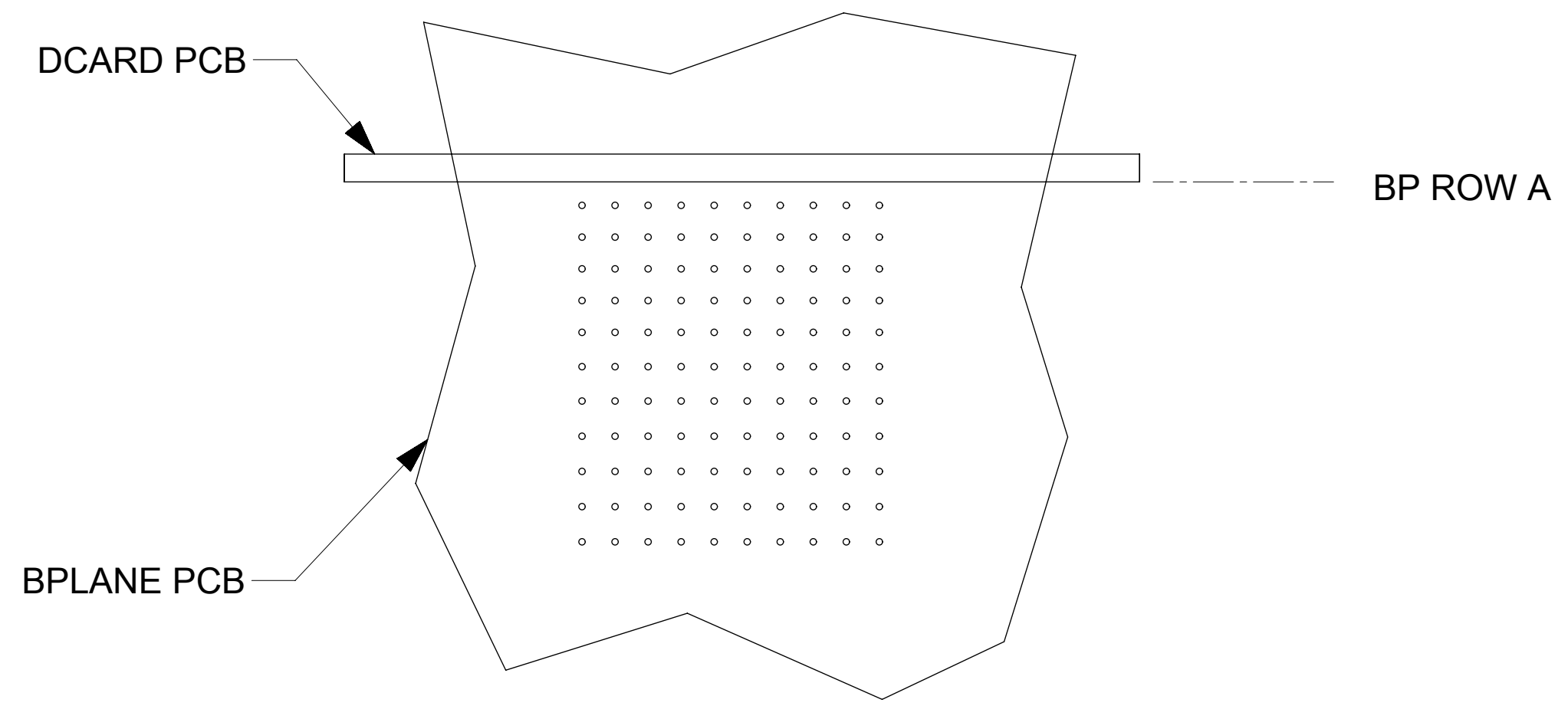
PIN LENGTH (P)

- 3 = 4.50 (SHORT COMPLIANT, 0.46±0.05 PTH)
- 4 = 4.90 (SHORT COMPLIANT, 0.46±0.05 PTH)
- 5 = 5.50 (SHORT COMPLIANT, 0.46±0.05 PTH)
- 6 = 4.50 (MICRO COMPLIANT, 0.39±0.05 PTH)
- 7 = 4.90 (MICRO COMPLIANT, 0.39±0.05 PTH)
- 8 = 5.50 (MICRO COMPLIANT, 0.39±0.05 PTH)

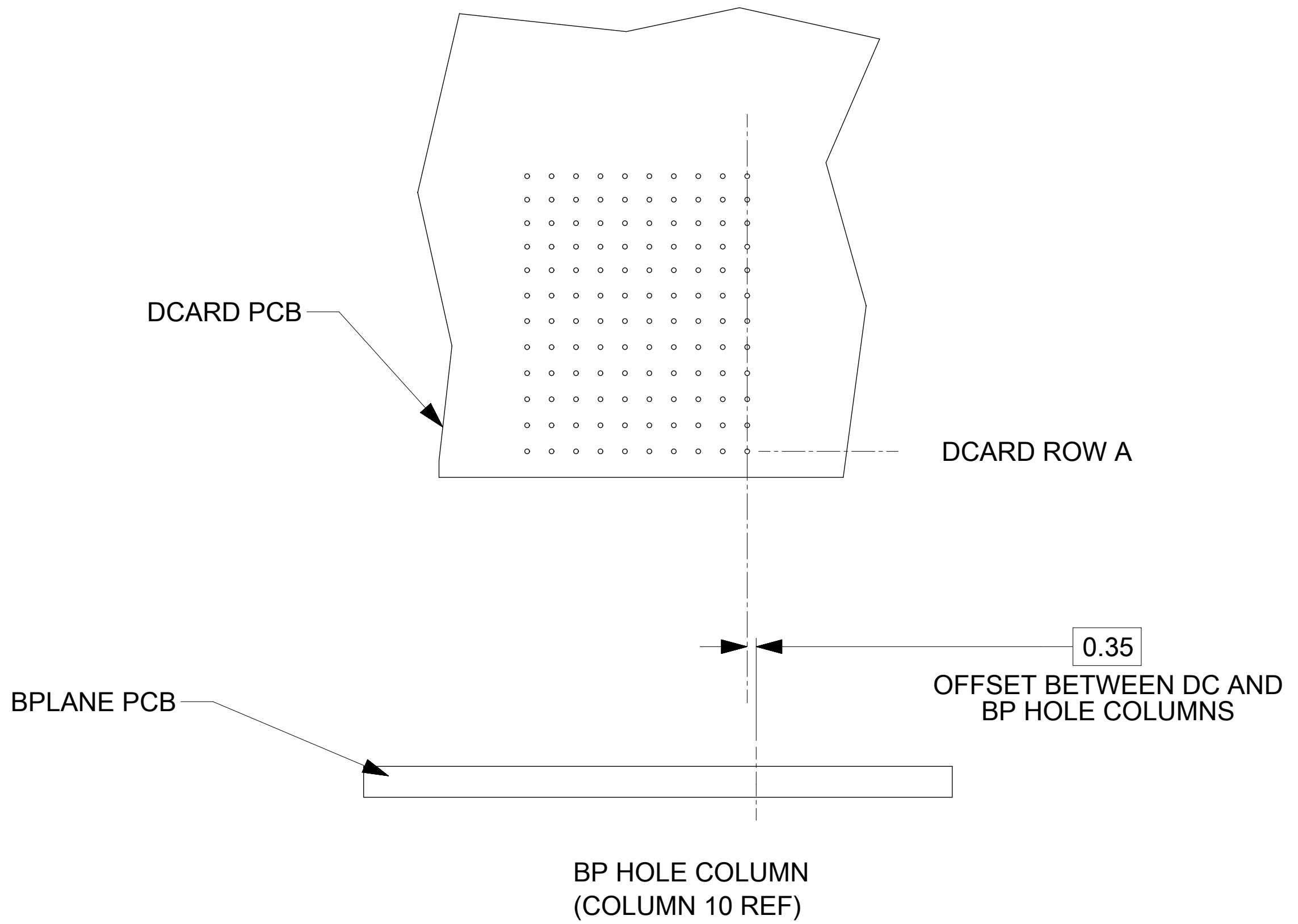
KEY ORIENTATION

- 0 = NO KEY
- 1 = A
- 2 = B
- 3 = C
- 4 = D
- 5 = E
- 6 = F
- 7 = G
- 8 = H

QUALITY SYMBOLS ▽ = 0 ▽ = 0 ▽ = 0 ▽ = 0 ▽ = 0 ▽ = 0 ▽ = 0 ▽ = 0 ▽ = 0 ▽ = 0	THIS DRAWING CONTAINS INFORMATION THAT IS PROPRIETARY TO MOLEX ELECTRONIC TECHNOLOGIES, LLC AND SHOULD NOT BE USED WITHOUT WRITTEN PERMISSION											
	EC NO: 123322	DRWN: NMUNIVENKATA	CHKD: PRAMASWAMY	REV: APPR: PRAMASWAMY	2017/09/25	2017/10/16	2017/10/18	GENERAL TOLERANCES (UNLESS SPECIFIED)	DIMENSION UNITS	SCALE		
	ANGULAR TOL ± 0.5 °			4 PLACES ±	TIBARRA		2012/11/26	mm		4:1		
	3 PLACES ±			CHKD BY		DATE	TIBARRA		2012/11/26	DRWN BY		
	2 PLACES ± 0.13			APPR BY		DATE	JBINGHAM		2012/12/18	CHKD BY		
	1 PLACE ± 0.25			DATE		SMILLER	2012/12/31	PRODUCT CUSTOMER DRAWING				
	0 PLACES ±			DRAFT WHERE APPLICABLE MUST REMAIN WITHIN DIMENSIONS		DRAWING SIZE	THIRD ANGLE PROJECTION	SERIES	MATERIAL NUMBER	CUSTOMER		
	D				76155	SEE TABLE	GENERAL MARKET	IMPACT 4 PAIR HEADER RIGHT GUIDED ASSEMBLY SALES DRAWING				
	G1		PSD		001		2 OF 3					

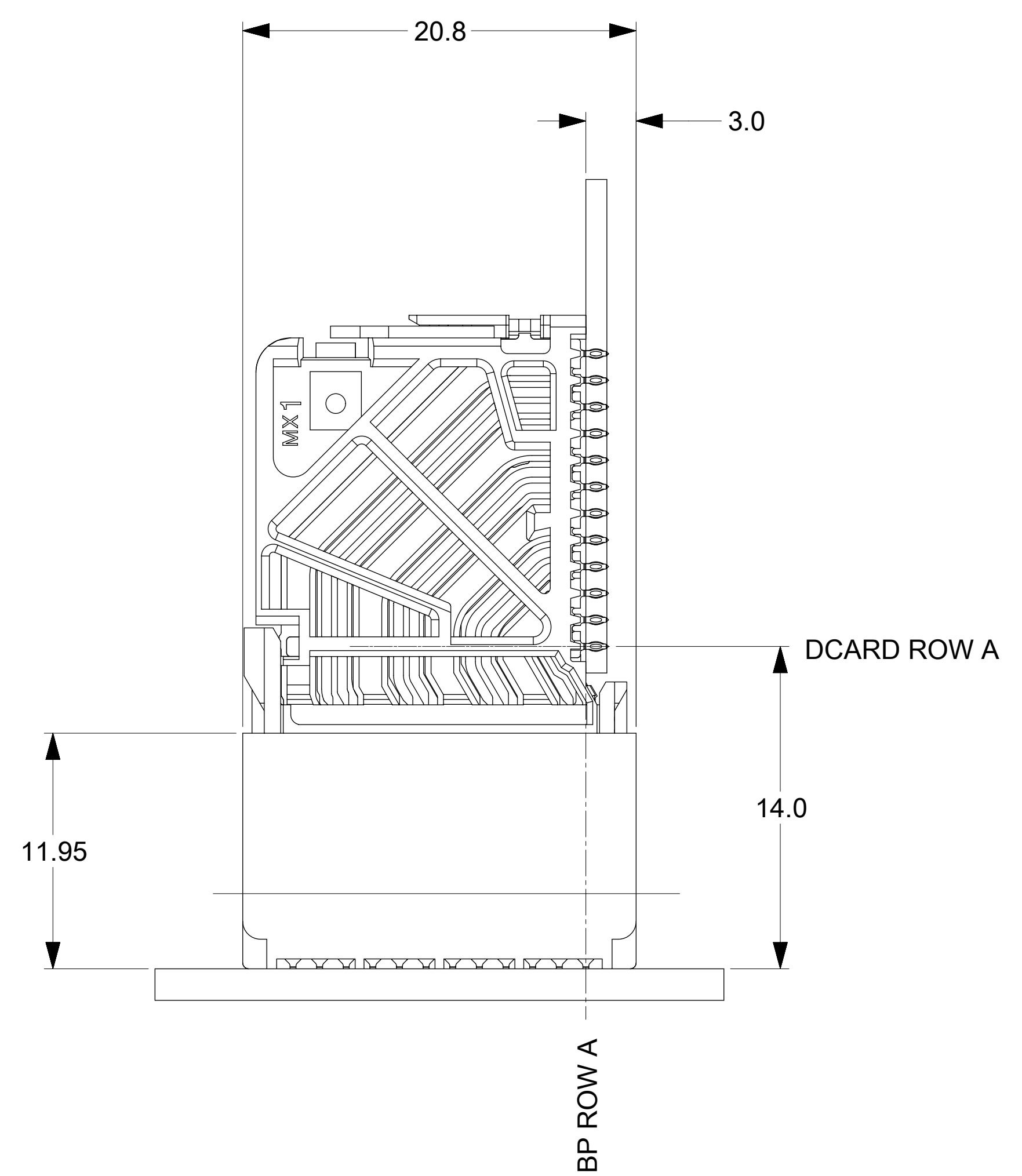


DC HOLE COLUMN  
(COLUMN 10 REF)



0.35  
OFFSET BETWEEN DC AND  
BP HOLE COLUMNS

IMPACT 4 PAIR  
BOARD RELATIONSHIPS



THIS DRAWING CONTAINS INFORMATION THAT IS PROPRIETARY TO MOLEX ELECTRONIC TECHNOLOGIES, LLC AND SHOULD NOT BE USED WITHOUT WRITTEN PERMISSION									
<b>QUALITY SYMBOLS</b> 	<b>MIGRATED TO NX</b> EC NO: 123322 DRWN: NMUNIVENKATA CHKD: PRAMASWAMY REV APPR: PRAMASWAMY	2017/09/25 2017/10/16 2017/10/18		<b>GENERAL TOLERANCES (UNLESS SPECIFIED)</b> DIMENSION UNITS: mm SCALE: 1:1					
		ANGULAR TOL $\pm 0.5^\circ$		DRWN BY: TIBARRA DATE: 2012/11/26					
		4 PLACES $\pm$ 3 PLACES $\pm$ 2 PLACES $\pm 0.13$ 1 PLACE $\pm 0.25$ 0 PLACES $\pm$		CHKD BY: JBINGHAM DATE: 2012/12/18		<b>IMPACT 4 PAIR HEADER RIGHT GUIDED ASSEMBLY SALES DRAWING</b>			
		DRAFT WHERE APPLICABLE MUST REMAIN WITHIN DIMENSIONS		APPR BY: SMILLER DATE: 2012/12/31					
		DRAFT WHERE APPLICABLE MUST REMAIN WITHIN DIMENSIONS		DRAWING SIZE: D THIRD ANGLE PROJECTION		PRODUCT CUSTOMER DRAWING		SERIES: 76155 MATERIAL NUMBER: SEE TABLE CUSTOMER: GENERAL MARKET	
RELEASE STATUS: P1 RELEASE DATE: 18.10.2017 06:14:37		DOCUMENT NUMBER: SD-76155-003 DOC TYPE: PSD DOC PART: 001 SHEET NUMBER: 3 OF 3							