

产品编号 : 761651304

Product Description : Impact 100 Ohm 3
Pair Vertical Backplane Header, Unguided,
Open Endwall, 6 Columns, 54 Circuits, Pin
Length 4.90mm, Plated Through Hole
Dimension 0.46mm, Lead-Free

系列号 : 76165

状态 : Active

Product Category : Backplane Connectors

文件和资源

图纸

图纸 761651304_sd.pdf

包装设计图 PK-70873-7700-001.pdf

3D 模型和设计文件

3D模型 761651304_stp.zip

符号足迹数据 SYM-76165-1304-001.zip

规格


应用规格 AS-76060-990-001.pdf

应用规格 AS-76060-9999-001.pdf

产品规格 PS-45499-002-001.pdf

产物环境合规

合规

GADSL/IMDS	Compliant with Exemption 44; 34; 33
China RoHS	
EU ELV	Not Relevant
Low-Halogen Status	Low-Halogen per IEC 61249-2-21
REACH SVHC	Not Contained per D(2023)3788-DC (14 Jun 2023)
EU RoHS	Compliant per EU 2015/863

多部分产品合规性声明

- Eu RoHS
- REACH SVHC
- Low-Halogen
- IPC 1752A Class C

- IPC 1752A Class D
- Molex Product Compliance Declaration
- IEC-62474
- chemSHERPA (xml)

欧盟 RoHS 合格证书

产品详情

常规

状态	活动
类别	Backplane Connectors
系列	76165
说明	Impact 100 Ohm 3 Pair Vertical Backplane Header, Unguided, Open Endwall, 6 Columns, 54 Circuits, Pin Length 4.90mm, Plated Through Hole Dimension 0.46mm, Lead-Free
应用	Conventional, Mezzanine
元件类型	PCB Header
产品系列	Impact Backplane Connector and Cable Assembly System
产品名称	Impact
UPC	887191144115

机构

UL	E29179
----	--------

电气

每触点最大电流	0.75A
数据传输率	25.0 Gbps
阻抗	100 Ω
屏蔽形式	不适用
屏蔽	否
电压 - 最大	30V AC (RMS)/DC

物理

回路数 (已载入)	54
电路数 (最多)	54

颜色-树脂	黑色
耐用性(插拔次数) - 最多次数	200
先接后断	否
阻燃性	94V-0
可配插产品指南	否
插接极性	无
材料 - 金属	High Performance Alloy (HPA)
材料 - 接合部位电镀	金牌
材料 - 终端电镀	Tin
材料 - 树脂	High Temperature Thermoplastic
净重	1.339/g
列数	6
线对数	3
行数	9
方向	垂直
包装形式	Tray
PC 焊脚长度	1.40mm
PCB 定位器	否
PCB 保持力	无
推荐的 PCB 厚度	1.00mm
间距 - 插配接口	1.90mm
间距 - 终端界面	1.90mm
最薄镀层 - 接合部位	0.762µm
PCB 极性	否
可堆叠的	否
运行温度范围	-55° to +85° C
终端界面类型	Through Hole - Compliant Pin

进程

无铅	不适用
----	-----

可配插/可连接使用的产品

可配插部件

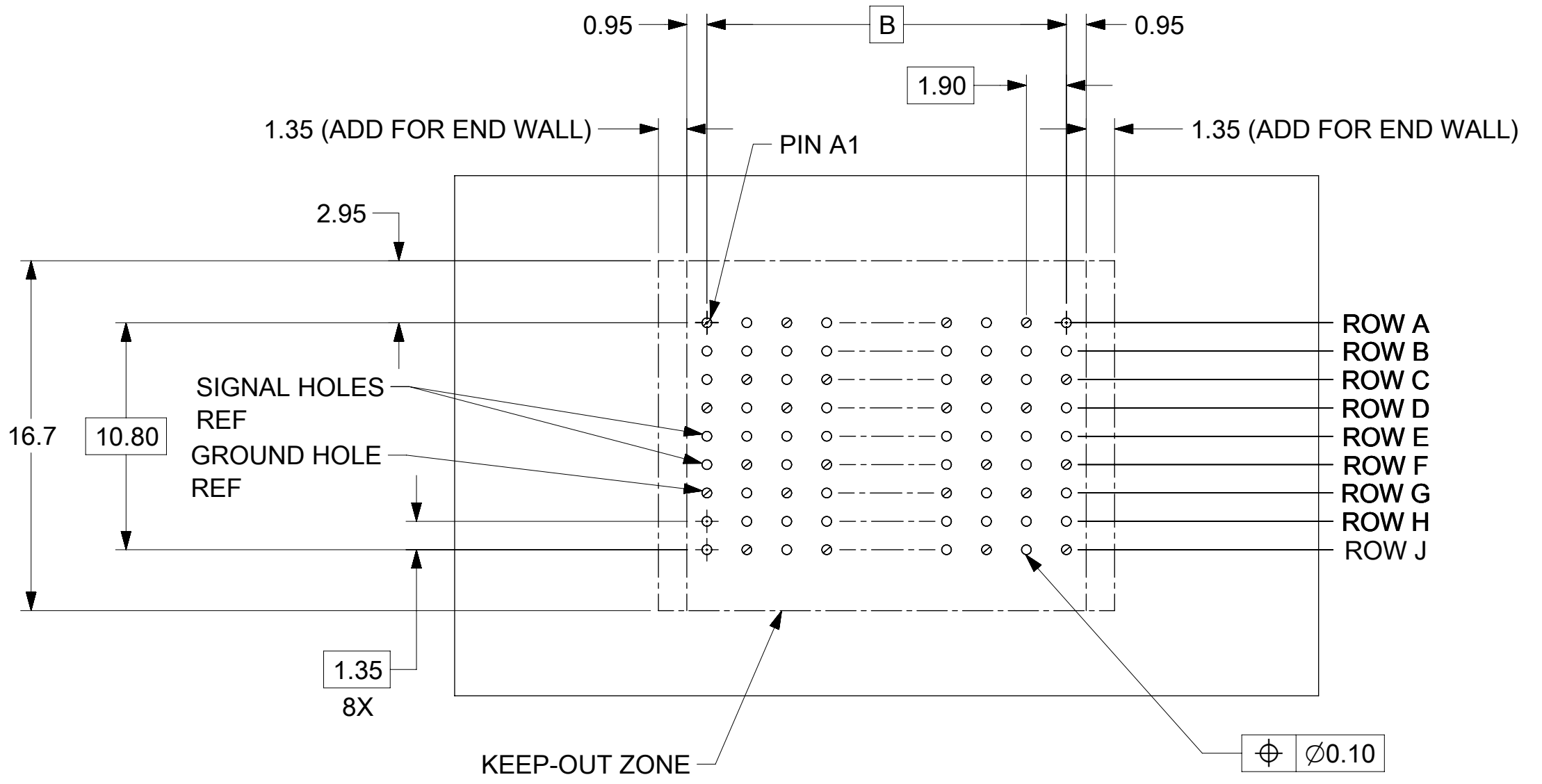
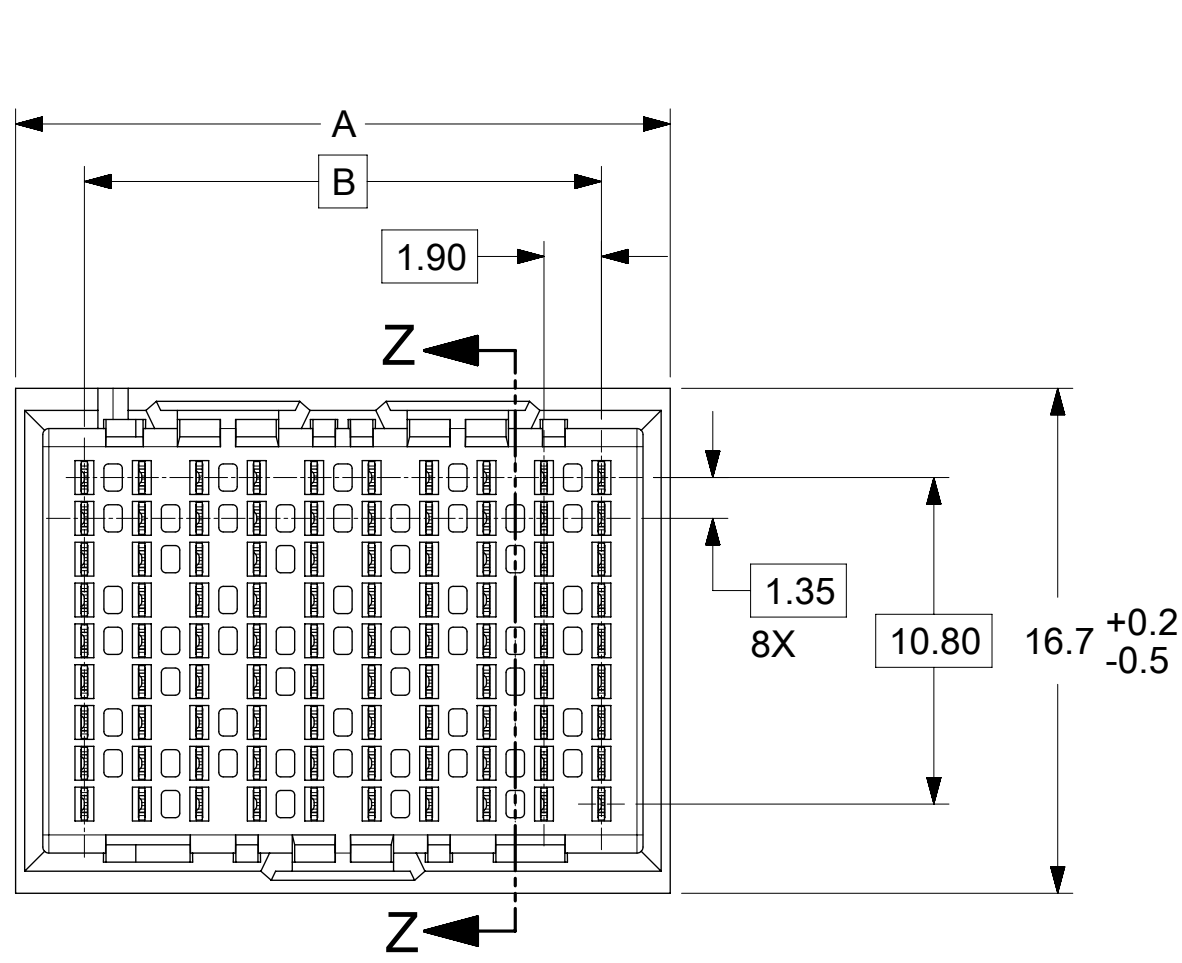
描述	产品编号
----	------

Impact 100 Ohm 3 Pair Right-Angle Daughtercard Receptacles	<u>76170</u>
---	--------------

可连接使用部件

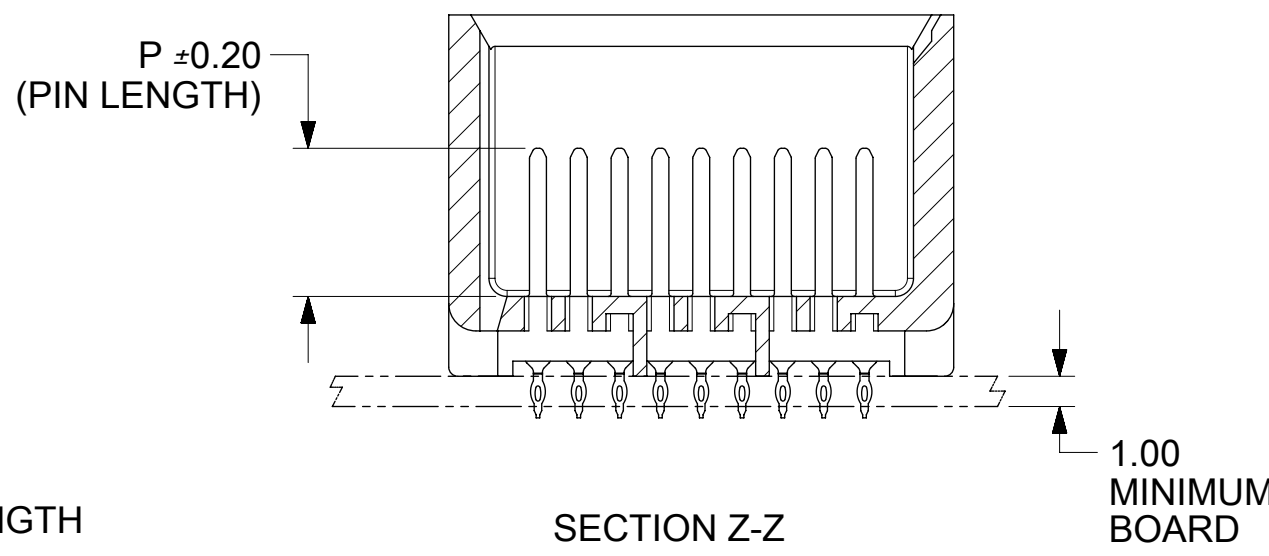
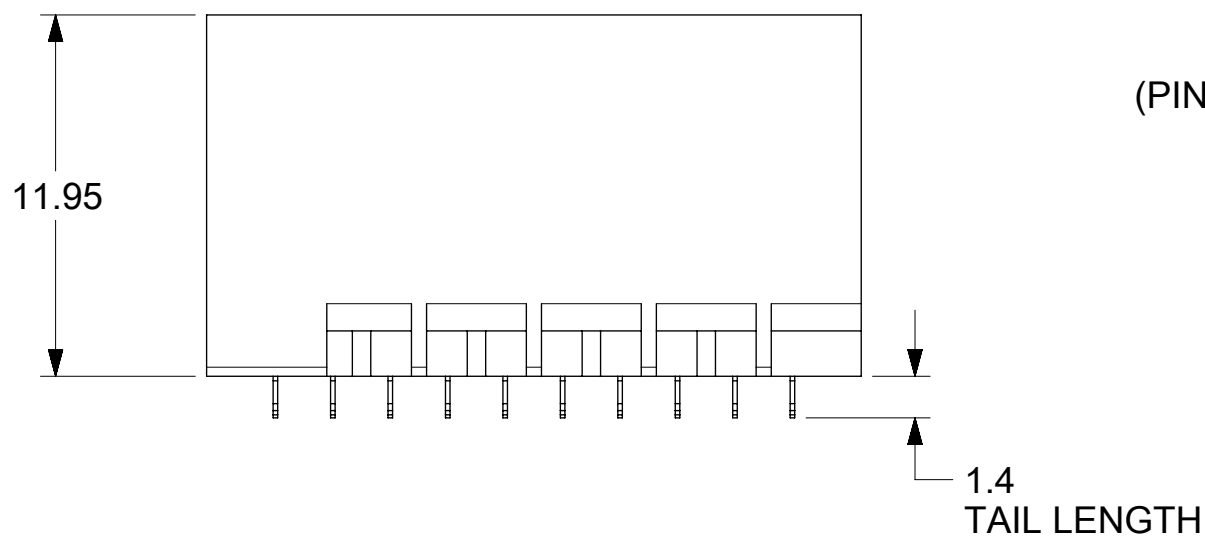
描述	产品编号
GbX Backplane Guide Pins	<u>75234</u>

This document was generated on Jun 03, 2024

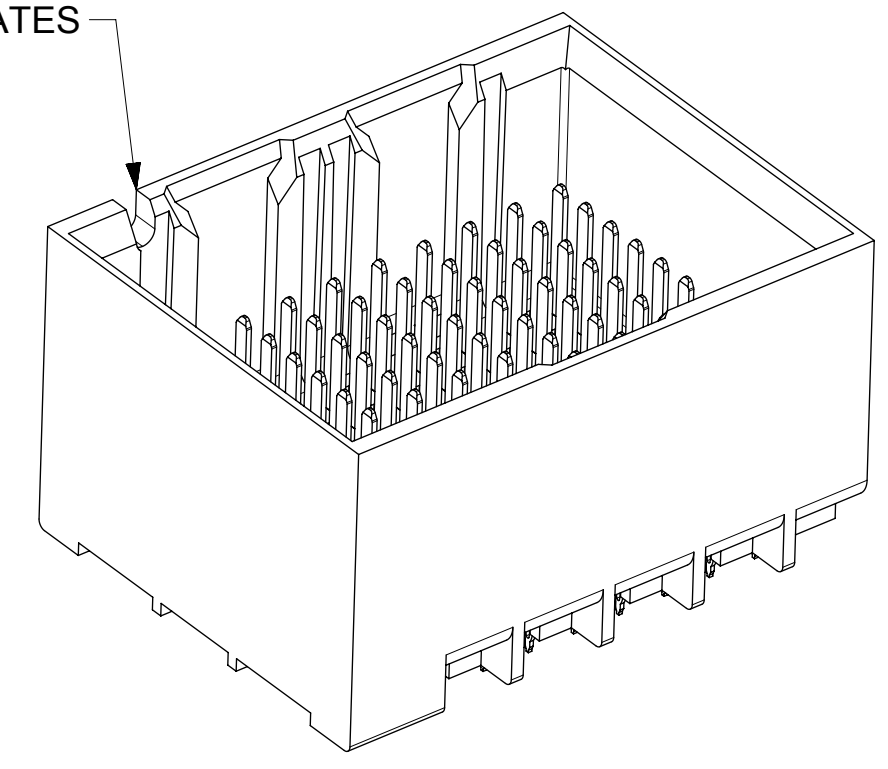


SEE PART NUMBER CHART AND PART NUMBER LOGIC (9 HOLES PER COLUMN)

UNGUIDED BACKPLANE HOLE PATTERN (CONNECTOR SIDE) SEE NOTE 9



NOTCH DESIGNATES ROW A

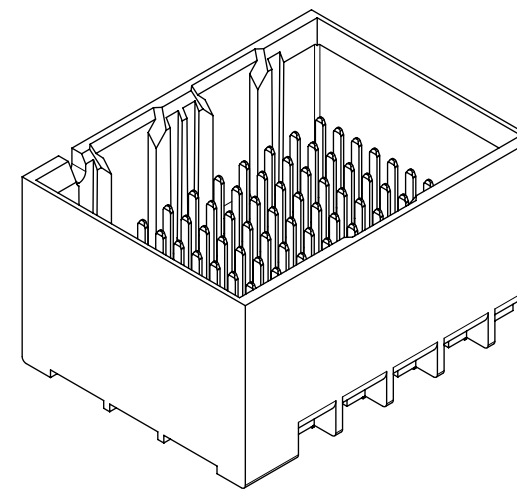


- NOTES:
1. MATERIALS: HOUSING - LIQUID CRYSTAL POLYMER (LCP) GLASS-FILLED, UL94V-0
TERMINALS - HIGH PERFORMANCE COPPER ALLOY
 2. FINISH: 30μ MIN GOLD IN CONTACT AREA.
SELECTIVE TIN ON PCB TAILS.
NICKEL OVERALL.
 3. REFER TO MOLEX PRODUCT SPECIFICATION PS-76060-999 FOR PERFORMANCE SPECIFICATIONS AND ADDITIONAL PCB INFORMATION.
 4. THIS PART CONFORMS TO CLASS B REQUIREMENTS OF MOLEX COSMETIC SPEC PS-45499-002.
 5. PARTS PACKAGED PER PK-70873-7700.
 6. SEE SHEETS 2 & 3 FOR PART NUMBERS AND BOARD RELATIONSHIPS.
 7. MATES WITH IMPACT DC SERIES NO. 76170.
 8. REFER TO MOLEX PCB ROUTING GUIDE AS-76060-990 FOR ANTIPAD AND ROUTING RECOMMENDATIONS.
 9. "THESE DIMENSIONS REPRESENT THE AREA NEEDED TO ACCOMMODATE CONNECTOR INSERTION AND REPAIR ON THE PC BOARD. THIS IS REFERRED TO AS THE "CONNECTOR KEEP OUT ZONE" AND DOES NOT REPRESENT THE ACTUAL PERIMETER OF THE CONNECTOR. WHEN LAYING OUT A PC BOARD FOR CONNECTORS STACKED TOGETHER. USE A 1.9mm PROGRESSION."

QUALITY SYMBOLS ▽ = 0 ▽ = 0 ▽ = 0 ▼ = 0 ▽ = 0 ⊠ = 0 ■ = 0 ▽ = 0	THIS DRAWING CONTAINS INFORMATION THAT IS PROPRIETARY TO MOLEX ELECTRONIC TECHNOLOGIES, LLC AND SHOULD NOT BE USED WITHOUT WRITTEN PERMISSION		GENERAL TOLERANCES (UNLESS SPECIFIED) ANGULAR TOL ± 0.5 °		DIMENSION UNITS mm	SCALE 4:1			
	DRWN BY TIBARRA	DATE 2012/11/26	4 PLACES ± 3 PLACES ± 2 PLACES ± 0.13 1 PLACE ± 0.25 0 PLACES ±		CHKD BY JBINGHAM	DATE 2012/12/18		PRODUCT CUSTOMER DRAWING	
	EC NO: 123283 DRWN: KUCHILA CHKD: KUCHILA REV: J1	2017/10/13 2017/10/13 2017/10/18	DRAFT WHERE APPLICABLE MUST REMAIN WITHIN DIMENSIONS	DRAWING SIZE C	THIRD ANGLE PROJECTION	SERIES 76165		MATERIAL NUMBER SEE CHART	CUSTOMER GENERAL MARKET
	DOCUMENT NUMBER SD-76165-001		DOC TYPE PSD	DOC PART 001	SHEET NUMBER 1 OF 3				

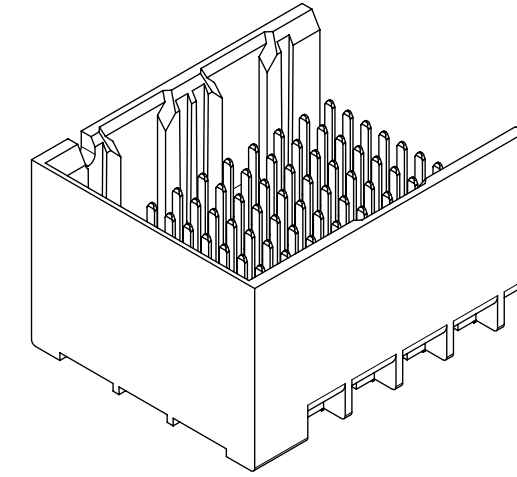
PART NUMBER CHART

MATERIAL NUMBER	# OF COLUMNS	# OF DIFF PAIR	DIM "A"	DIM "B"	DUAL END WALL OPTION
76165-*32*	6	18	14.1	9.50	
76165-*82*	8	24	17.9	13.30	
76165-*12*	10	30	21.7	17.10	
76165-*62*	16	48	33.1	28.50	



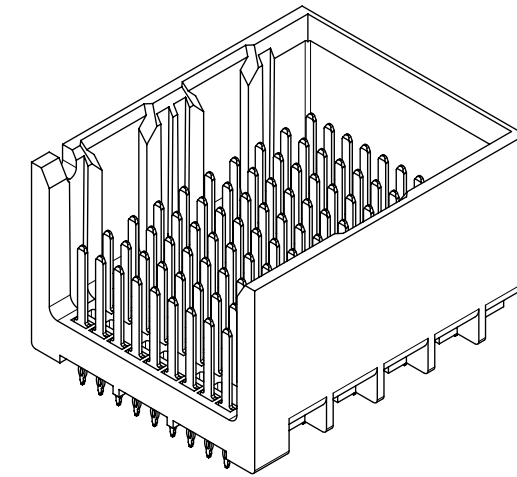
DUAL END
WALL OPTION

MATERIAL NUMBER	# OF COLUMNS	# OF DIFF PAIR	DIM "A"	DIM "B"	LEFT END WALL OPTION
76165-*31*	6	18	12.7	9.50	
76165-*81*	8	24	16.5	13.30	
76165-*11*	10	30	20.3	17.10	
76165-*61*	16	48	31.7	28.50	



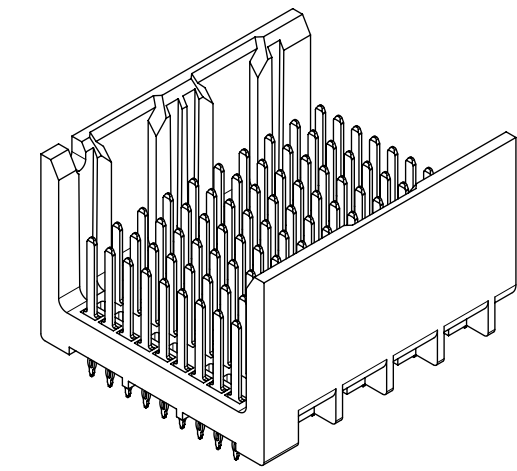
LEFT END
WALL OPTION

MATERIAL NUMBER	# OF COLUMNS	# OF DIFF PAIR	DIM "A"	DIM "B"	RIGHT END WALL OPTION
76165-*33*	6	18	12.7	9.50	
76165-*83*	8	24	16.5	13.30	
76165-*13*	10	30	20.3	17.10	
76165-*63*	16	48	31.7	28.50	



RIGHT END
WALL OPTION

MATERIAL NUMBER	# OF COLUMNS	# OF DIFF PAIR	DIM "A"	DIM "B"	OPEN WALL OPTION
76165-*30*	6	18	11.3	9.50	
76165-*80*	8	24	15.1	13.30	
76165-*10*	10	30	18.9	17.10	
76165-*60*	16	48	30.4	28.50	



OPEN
WALL OPTION

PART NUMBER LOGIC

76165- * * * *

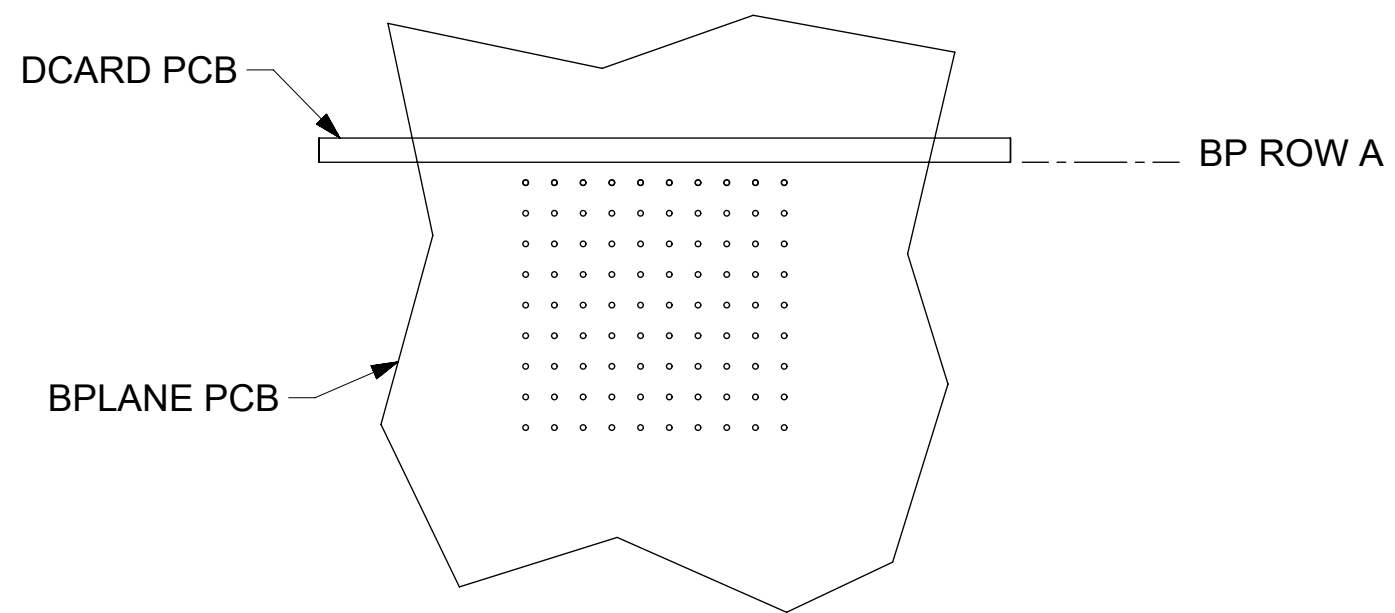
MODULE TYPE
1 = UNGUIDED, TIN

OF COLUMNS
1 = 10 COL
3 = 6 COL
6 = 16 COL
8 = 8 COL

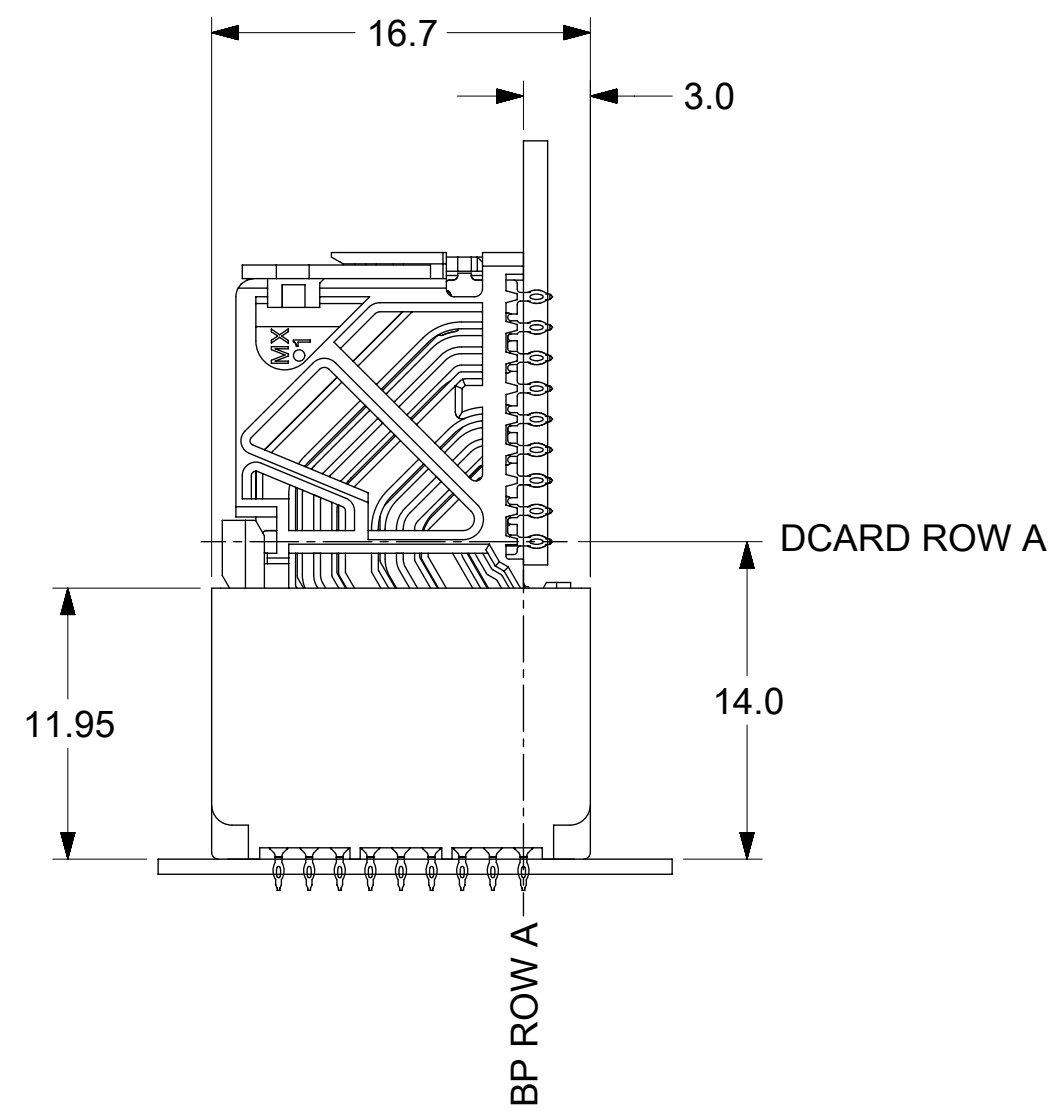
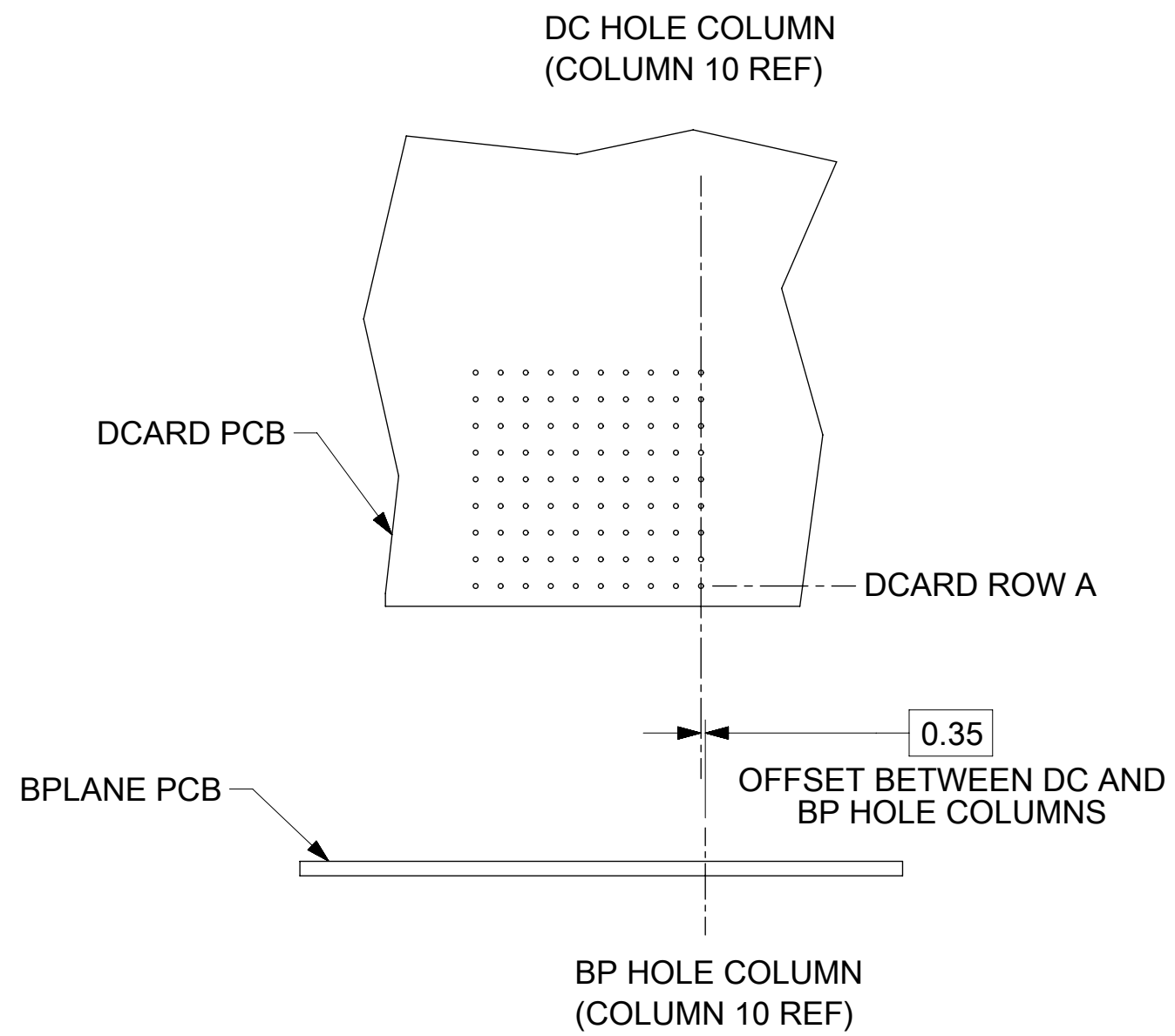
PIN LENGTH (P)
3 = 4.50 (SHORT COMPLIANT, 0.46±0.05 PTH)
4 = 4.90 (SHORT COMPLIANT, 0.46±0.05 PTH)
5 = 5.50 (SHORT COMPLIANT, 0.46±0.05 PTH)
6 = 4.50 (MICRO COMPLIANT, 0.39±0.05 PTH)
7 = 4.90 (MICRO COMPLIANT, 0.39±0.05 PTH)
8 = 5.50 (MICRO COMPLIANT, 0.39±0.05 PTH)

END WALL OPTIONS
0 = OPEN ENDS
1 = LEFT END WALL
2 = DUAL END WALL
3 = RIGHT END WALL

QUALITY SYMBOLS	THIS DRAWING CONTAINS INFORMATION THAT IS PROPRIETARY TO MOLEX ELECTRONIC TECHNOLOGIES, LLC AND SHOULD NOT BE USED WITHOUT WRITTEN PERMISSION										
	▽ = 0	▽ = 0	▽ = 0	▽ = 0	▽ = 0	▽ = 0	▽ = 0	▽ = 0	▽ = 0	▽ = 0	
MIGRATED TO NX		EC NO: 123283		DRWN: KUCHILA		CHKD: KUCHILA		APP: PRAMASWAMY		REV: J1	
GENERAL TOLERANCES (UNLESS SPECIFIED)		DIMENSION UNITS		SCALE		SERIES		MATERIAL NUMBER		CUSTOMER	
ANGULAR TOL ± 0.5 °		mm		2.5:1		76165		SEE CHART		GENERAL MARKET	
4 PLACES ±		TIBARRA		DATE		IMPACT BP 3 PAIR		UNGUIDED ASSEMBLY SALES DRAWING		PRODUCT CUSTOMER DRAWING	
3 PLACES ±		CHKD BY		DATE		SERIES		MATERIAL NUMBER		CUSTOMER	
2 PLACES ± 0.13		JBINGHAM		2012/12/18		76165		SEE CHART		GENERAL MARKET	
1 PLACE ± 0.25		APPR BY		DATE		DOCUMENT NUMBER		DOC TYPE		DOC PART SHEET NUMBER	
0 PLACES ±		SMILLER		2012/12/31		SD-76165-001		PSD		001 2 OF 3	
DRAFT WHERE APPLICABLE MUST REMAIN WITHIN DIMENSIONS		DRAWING SIZE		THIRD ANGLE PROJECTION		C					



**IMPACT 3 PAIR
BOARD RELATIONSHIPS**



QUALITY SYMBOLS		THIS DRAWING CONTAINS INFORMATION THAT IS PROPRIETARY TO MOLEX ELECTRONIC TECHNOLOGIES, LLC AND SHOULD NOT BE USED WITHOUT WRITTEN PERMISSION										
▽ = 0	▽ = 0	MIGRATED TO NX EC NO: 123283 DRWN: KUCHILA CHKD: KUCHILA REV APPR: PRAMASWAMY	GENERAL TOLERANCES (UNLESS SPECIFIED)				DIMENSION UNITS	SCALE	molex			
▽ = 0	▽ = 0		ANGULAR TOL ± 0.5 °				mm	1:1				
▽ = 0	▽ = 0		4 PLACES ±		TIBARRA		DATE		IMPACT BP 3 PAIR UNGUIDED ASSEMBLY SALES DRAWING			
▽ = 0	▽ = 0		3 PLACES ±		JBINGHAM		DATE					
▽ = 0	▽ = 0		2 PLACES ± 0.13		SMILLER		DATE		PRODUCT CUSTOMER DRAWING			
▽ = 0	▽ = 0		1 PLACE ± 0.25		2012/12/31		DATE		SERIES MATERIAL NUMBER CUSTOMER			
▽ = 0	▽ = 0	0 PLACES ±		DRAFT WHERE APPLICABLE MUST REMAIN WITHIN DIMENSIONS		THIRD ANGLE PROJECTION		76165 SEE CHART GENERAL MARKET				
▽ = 0	▽ = 0	J1		C		DRAWING SIZE		DOCUMENT NUMBER				
								SD-76165-001				
								DOC TYPE DOC PART SHEET NUMBER				
								PSD 001 3 OF 3				