



产品编号 : 768290002

Product Description : Mega-Fit Vertical Header, Through Hole, 5.70mm Pitch, Dual Row, 2 Circuits, 1.52µm Tin (Sn) Plating, Glow-Wire Capable, Black

系列号 : 76829

状态 : Active

Product Category : PCB Headers and Receptacles

文件和资源

图纸

图纸 768290002_sd.pdf

包装设计图 PK-31301-976-000.pdf

3D 模型和设计文件

3D模型 768290002_stp.zip

符号足迹数据 SYM-76829-0002-001.zip

规格

应用规格 1722990000-AS-000.pdf

应用规格 768232000-AS-000.pdf

应用规格 AS-76823-100-001.pdf

产品规格 1720631000-PS-000.pdf

产品规格 PS-76823-100-001.pdf


测试摘要 1720631000-TS-000.pdf

测试摘要 TS-76823-100-001.pdf

测试摘要 TS-76829-001-001.pdf

产物环境合规

合规

GADSL/IMDS	Compliant with Exemption 44; 33
China RoHS	
EU ELV	Not Relevant
Low-Halogen Status	Low-Halogen per IEC 61249-2-21
REACH SVHC	Not Contained per D(2023)8585-DC (23 Jan 2024)
EU RoHS	Compliant per EU 2015/863

多部分产品合规性声明

- Eu RoHS
- REACH SVHC
- Low-Halogen
- IPC 1752A Class C
- IPC 1752A Class D
- Molex Product Compliance Declaration
- IEC-62474
- chemSHERPA (xml)

欧盟 RoHS 合格证书

产品详情

常规

状态	活动
类别	PCB Headers and Receptacles
系列	76829
说明	Mega-Fit Vertical Header, Through Hole, 5.70mm Pitch, Dual Row, 2 Circuits, 1.52µm Tin (Sn) Plating, Glow-Wire Capable, Black
应用	Power, Wire-to-Board
元件类型	PCB Header
产品系列	Mega-Fit Power Connectors
产品名称	Mega-Fit
UPC	887191454184

机构

CSA	LR19980
UL	E29179

电气

每触点最大电流	23.5A
电压 - 最大	600V AC (RMS)/DC

物理

断开	否
回路数 (已载入)	2

电路数 (最多)	2
颜色-树脂	黑色
耐用性(插拔次数) - 最多次数	25
先接后断	否
阻燃性	94V-0
符合灼热丝规范	是
插接极性	是
锁定插接部位	是
插配长度	16.78mm
材料 - 金属	High Conductivity Copper
材料 - 接合部位电镀	Matte Tin
材料 - 终端电镀	Matte Tin
材料 - 树脂	Liquid Crystal Polymer
净重	1.808/g
行数	2
方向	垂直
包装形式	Tray
PC 焊脚长度	3.73mm
PCB 定位器	是
PCB 保持力	是
推荐的 PCB 厚度	1.58mm, 2.36mm
间距 - 插配接口	5.70mm
间距 - 终端界面	5.70mm
最薄镀层 - 接合部位	1.524μm
最薄镀层 - 端接	1.524μm
有极性的插配件	是
PCB 极性	是
有护墙的	是
运行温度范围	-40° to +105° C
终端界面类型	Through Hole
未插配高度	14.80mm

进程

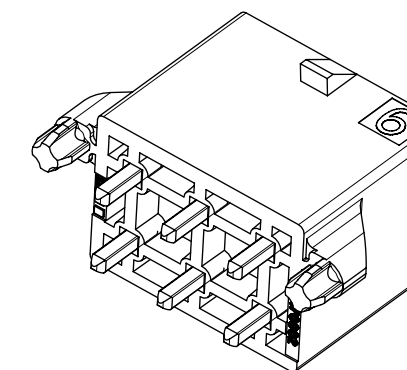
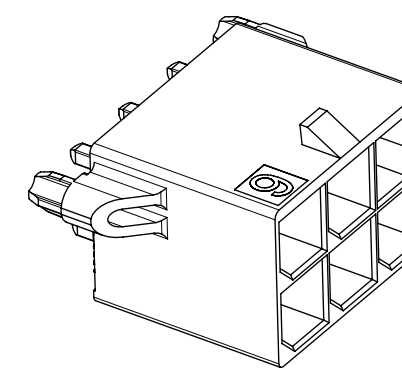
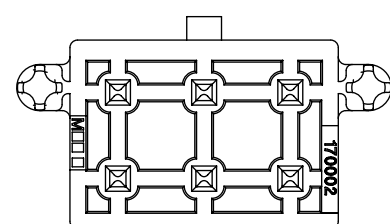
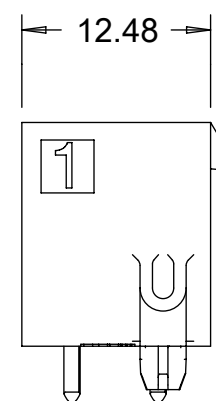
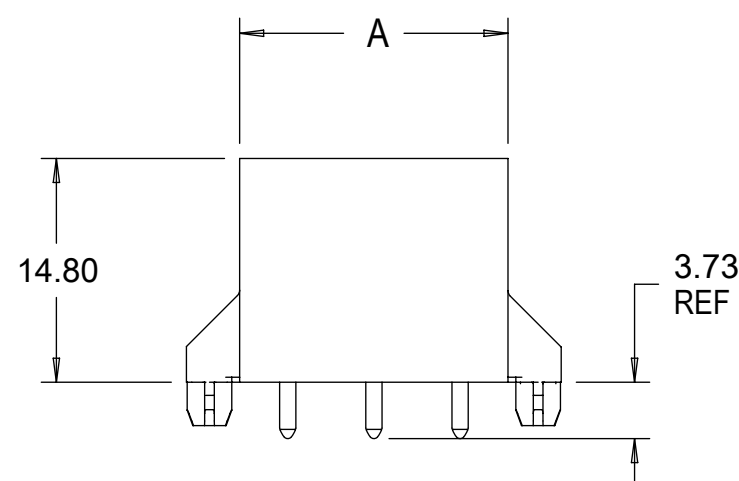
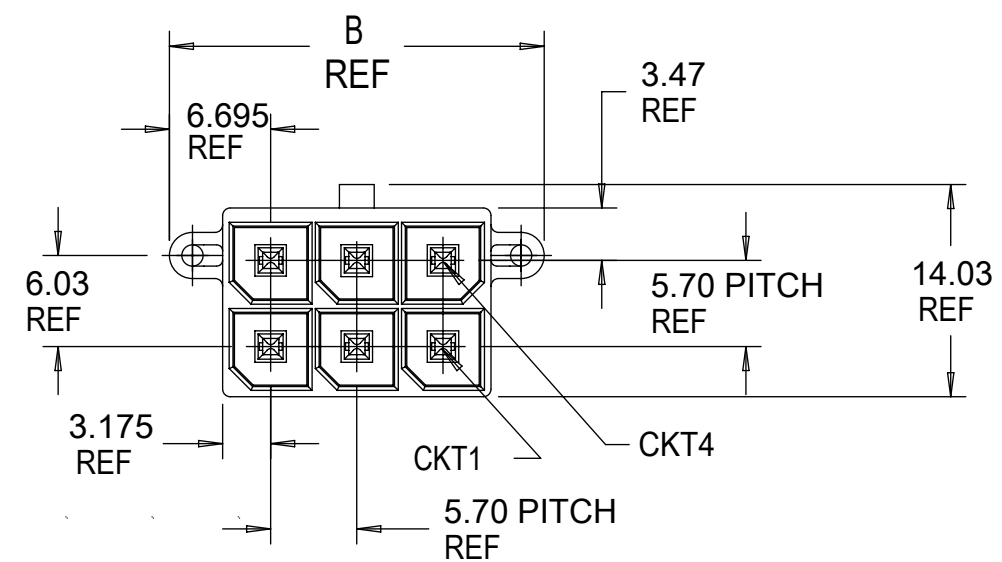
最长持续时间	30
无铅	SMC&WAVE

最大周期	1
最高温度	260

可配插/可连接使用的产品

可配插部件

描述	产品编号
Mega-Fit Dual Row Receptacle Housings	<u>170001</u>
Mega-Fit Dual Row Receptacle Housings	<u>171692</u>
Mega-Fit-to-Mega-Fit Off-the-Shelf (OTS) Cable Assemblies	<u>45136</u>



76829-0006 SHOWN

NOTES:

- MATERIAL:
HOUSING: LCP, UL94V-0, GLOW WIRE CAPABLE PER IEC-60335-1 5TH EDITION, COLOR: BLACK.
TERMINAL: HIGH CONDUCTIVITY COPPER.
- TERMINAL PLATING:
(TIN) 1.52 MICROMETER /(60 MICROINCH) MIN REFLOWED MATTE TIN OVER
1.27 MICROMETER /(50 MICROINCH) MIN NICKEL OVERALL.
(15 GOLD) 0.38 MICROMETER /(15 MICROINCH) MIN SELECT GOLD ON CONTACT AREA
2.54 MICROMETER /(100 MICROINCH) MIN SELECT MATTE TIN ON SOLDER AREA
BOTH OVER 1.27 MICROMETER /(50 MICROINCH) MIN NICKEL OVERALL
(30 GOLD) 0.76 MICROMETER /(30 MICROINCH) MIN SELECT GOLD ON CONTACT AREA
2.54 MICROMETER /(100 MICROINCH) MIN SELECT MATTE TIN ON SOLDER AREA
BOTH OVER 1.27 MICROMETER /(50 MICROINCH) MIN NICKEL OVERALL
- PRODUCT SPECIFICATION PS-76823-100, 1720631000-PS
- PART MATES WITH MOLEX PART NUMBER 170001 AND 171692 SERIES.
- PACKAGING: TRAY PACKED PER MOLEX SPECIFICATION PK-31301-976, WHILE T&R IS 1720650900.
- APPLICATION SPECIFICATION: AS-76823-100, 768232000-AS
- PARTS CONFORM TO CLASS "B" REQUIREMENTS OF COSMETIC SPECIFICATION PS-45499-002.

MODEL: 768290000

FUNCTIONAL SYMBOLS	THIS DRAWING CONTAINS INFORMATION THAT IS PROPRIETARY TO MOLEX ELECTRONIC TECHNOLOGIES, LLC AND SHOULD NOT BE USED WITHOUT WRITTEN PERMISSION			
	DIMENSION UNITS	SCALE		CURRENT REV DESC:
$\frac{F}{A} = 0$	INCH	2:1		EC NO: 652126 DRWN: ALU002 CHK'D: YXZHENG APPR: YXZHENG
$\frac{F}{C} = 0$	GENERAL TOLERANCES (UNLESS SPECIFIED)			
DIVISIONAL SYMBOLS		MM	INCH	2020/12/28
	4 PLACES	±	±	2020/12/28
	3 PLACES	±	±	2020/12/28
	2 PLACES	± 0.25	±	
	1 PLACE	± 0.5	±	INITIAL REVISION:
	0 PLACES	±	±	DRWN: DRAWN BY
	ANGULAR TOL	± 0.5 °		APPR: APPR BY
	DRAFT WHERE APPLICABLE MUST REMAIN WITHIN DIMENSIONS	THIRD ANGLE PROJECTION		DRAWING
				SERIES
				76829
				C-SIZE
				GENERAL MARKET
				1 OF 3
				SD-76829-0100
				PSD 000 E
				1 OF 3

molex

MEGA-FIT VERTICAL HEADER
VERTICAL HEADER ASSY 2-12 CKT TOP LATCH

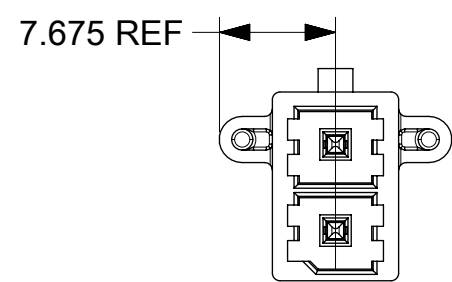
PRODUCT CUSTOMER DRAWING

DOCUMENT NUMBER DOC TYPE DOC PART REVISION

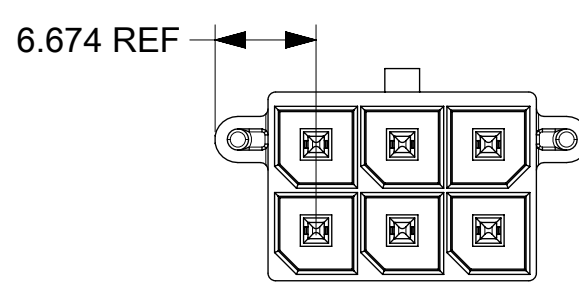
SD-76829-0100 PSD 000 E

MATERIAL NUMBER CUSTOMER SHEET NUMBER

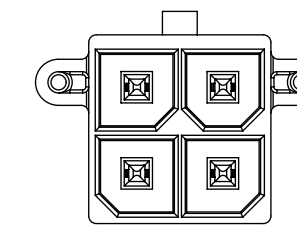
GENERAL MARKET 1 OF 3



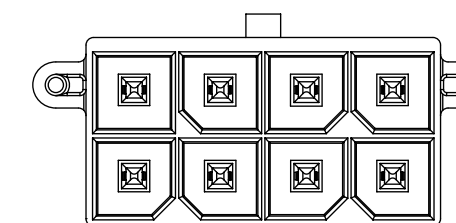
2 CKT



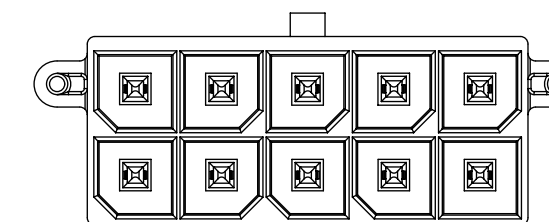
4-12 CKT



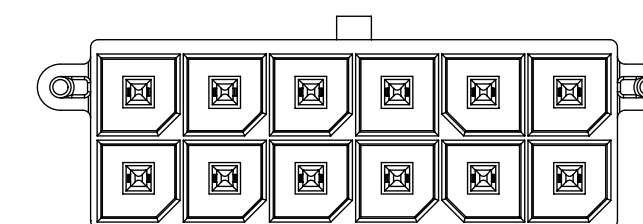
4 CKT



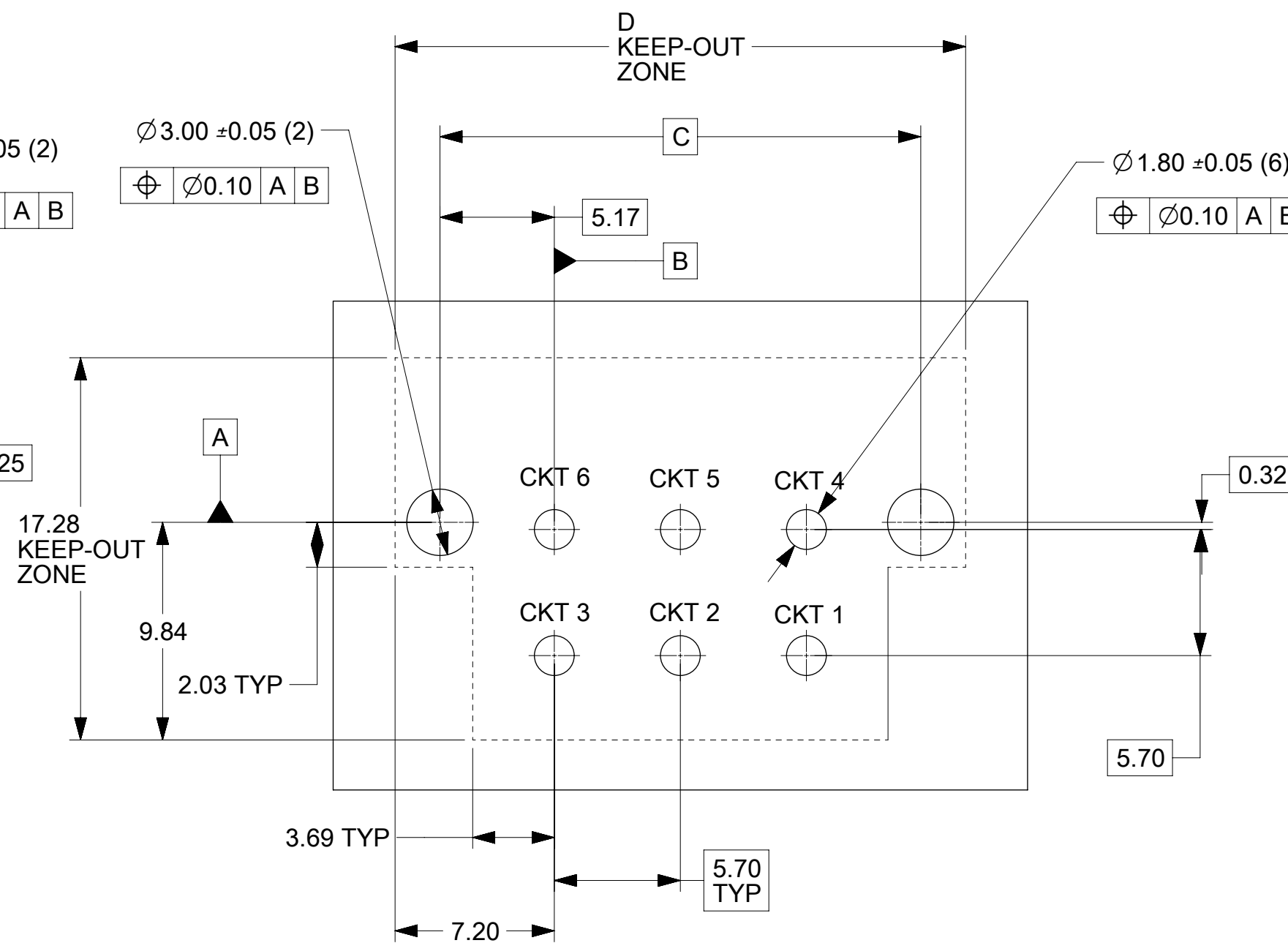
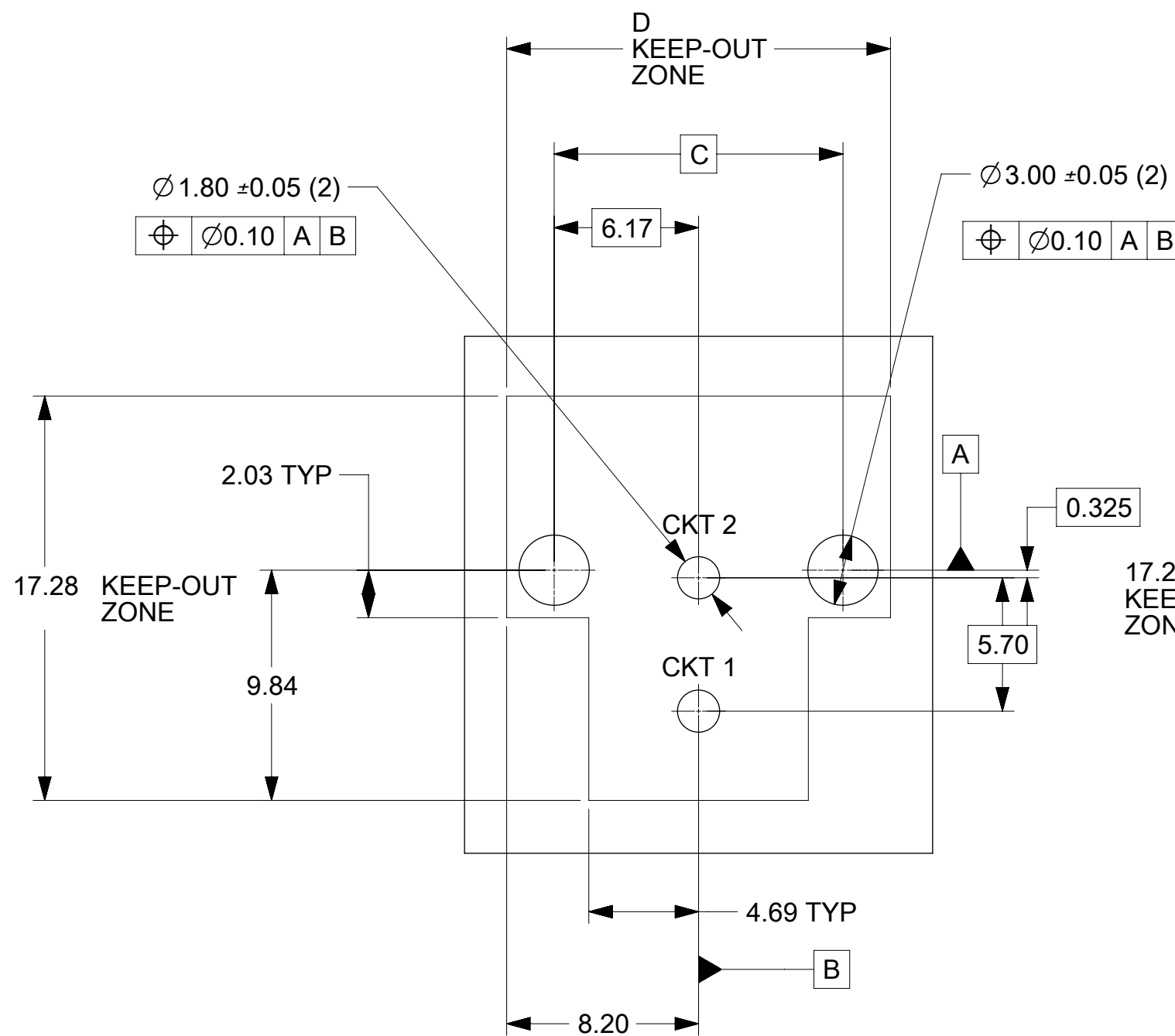
8 CKT



10 CKT



12 CKT



PCB LAYOUT: COMPONENT SIDE
 RECOMENDED PCB THICKNESS: 1.58 MM/.062 IN TO 2.36 MM/.093 IN

PCB LAYOUT: COMPONENT SIDE
 RECOMENDED PCB THICKNESS: 1.58 MM/.062 IN TO 2.36 MM/.093 IN


FUNCTIONAL SYMBOLS $\frac{F}{A} = 0$ $\frac{F}{C} = 0$ $\frac{F}{P} = 0$ DIVISIONAL SYMBOLS	THIS DRAWING CONTAINS INFORMATION THAT IS PROPRIETARY TO MOLEX ELECTRONIC TECHNOLOGIES, LLC AND SHOULD NOT BE USED WITHOUT WRITTEN PERMISSION		CURRENT REV DESC:		
	DIMENSION UNITS	SCALE	EC NO: 652126		
	INCH	4:1	DRWN: ALU002 2020/12/28		
	GENERAL TOLERANCES (UNLESS SPECIFIED)		CHK'D: YXZHENG 2020/12/28		
	MM	INCH	APPR: YXZHENG 2020/12/28		PRODUCT CUSTOMER DRAWING DOCUMENT NUMBER: SD-76829-0100 DOC TYPE: PSD DOC PART: 000 REVISION: E
4 PLACES	±	±	INITIAL REVISION:		
3 PLACES	±	±	DRWN: DRAWN BY 0099/99/99		
2 PLACES	±	0.25 ±	APPR: APPR BY 0099/99/99		
1 PLACE	±	0.5 ±	DRAWING: C-SIZE		
0 PLACES	±	±	SERIES: 76829		
ANGULAR TOL	±	0.5 °	MATERIAL NUMBER: GENERAL MARKET		
DRAFT WHERE APPLICABLE MUST REMAIN WITHIN DIMENSIONS		THIRD ANGLE PROJECTION		SHEET NUMBER: 2 OF 3	

12	11	10	9	8	7	6	5	4	3	2	1	
CKT SIZE	PART NO.	PLATING	DIM A	DIM B	DIM C BASIC	DIM D	PK SPEC					
2	76829-0002	TIN	8.35	15.39	12.34	16.40	TRAY					
4	76829-0004	TIN	12.05	19.09	16.04	20.10						
6	76829-0006	TIN	17.75	24.79	21.74	25.80						
8	76829-0008	TIN	23.45	30.49	27.44	31.50						
10	76829-0010	TIN	29.15	36.19	33.14	37.20						
12	76829-0012	TIN	34.85	41.89	38.84	42.90						
2	172065-0002	15 GOLD	8.35	15.38	12.34	16.40						
4	172065-0004	15 GOLD	12.05	19.09	16.04	20.10						
6	172065-0006	15 GOLD	17.75	24.79	21.74	25.80						
8	172065-0008	15 GOLD	23.45	30.49	27.44	31.50						
10	172065-0010	15 GOLD	29.15	36.19	33.14	37.20						
12	172065-0012	15 GOLD	34.85	41.89	38.84	42.90						
2	172065-1002	30 GOLD	8.35	15.38	12.34	16.40						
4	172065-1004	30 GOLD	12.05	19.09	16.04	20.10						
6	172065-1006	30 GOLD	17.75	24.79	21.74	25.80						
8	172065-1008	30 GOLD	23.45	30.49	27.44	31.50						
10	172065-1010	30 GOLD	29.15	36.19	33.14	37.20						
12	172065-1012	30 GOLD	34.85	41.89	38.84	42.90						

12	11	10	9	8	7	6	5	4	3	2	1			
CKT SIZE	PART NO.	PLATING	DIM A	DIM B	DIM C BASIC	DIM D	PK SPEC							
2	76829-0902	TIN	8.35	15.38	12.34	16.40	TAPE&REEL WITHOUT KAPTON							
4	76829-0904	TIN	12.05	19.09	16.04	20.10								
6	76829-0906	TIN	17.75	24.79	21.74	25.80								
8	76829-0908	TIN	23.45	30.49	27.44	31.50								
10	76829-0910	TIN	29.15	36.19	33.14	37.20								
12	76829-0912	TIN	34.85	41.89	38.84	42.90								
2	172065-0902	15 GOLD	8.35	15.38	12.34	16.40								
4	172065-0904	15 GOLD	12.05	19.09	16.04	20.10								
6	172065-0906	15 GOLD	17.75	24.79	21.74	25.80								
8	172065-0908	15 GOLD	23.45	30.49	27.44	31.50								
10	172065-0910	15 GOLD	29.15	36.19	33.14	37.20								
12	172065-0912	15 GOLD	34.85	41.89	38.84	42.90								
2	172065-1902	30 GOLD	8.35	15.38	12.34	16.40								
4	172065-1904	30 GOLD	12.05	19.09	16.04	20.10								
6	172065-1906	30 GOLD	17.75	24.79	21.74	25.80								
8	172065-1908	30 GOLD	23.45	30.49	27.44	31.50								
10	172065-1910	30 GOLD	29.15	36.19	33.14	37.20								
12	172065-1912	30 GOLD	34.85	41.89	38.84	42.90								
*	2	76829-0702	TIN	8.35	15.38	12.34		16.40	TAPE&REEL WITH KAPTON					
*	4	76829-0704	TIN	12.05	19.09	16.04		20.10						
*	6	76829-0706	TIN	17.75	24.79	21.74		25.80						
*	8	76829-0708	TIN	23.45	30.49	27.44		31.50						
*	10	76829-0710	TIN	29.15	36.19	33.14		37.20						
*	12	76829-0712	TIN	34.85	41.89	38.84		42.90						
*	2	172065-0702	15 GOLD	8.35	15.38	12.34	16.40							
*	4	172065-0704	15 GOLD	12.05	19.09	16.04	20.10							
*	6	172065-0706	15 GOLD	17.75	24.79	21.74	25.80							
*	8	172065-0708	15 GOLD	23.45	30.49	27.44	31.50							
*	10	172065-0710	15 GOLD	29.15	36.19	33.14	37.20							
*	12	172065-0712	15 GOLD	34.85	41.89	38.84	42.90							
*	2	172065-1702	30 GOLD	8.35	15.38	12.34	16.40							
*	4	172065-1704	30 GOLD	12.05	19.09	16.04	20.10							
*	6	172065-1706	30 GOLD	17.75	24.79	21.74	25.80							
*	8	172065-1708	30 GOLD	23.45	30.49	27.44	31.50							
*	10	172065-1710	30 GOLD	29.15	36.19	33.14	37.20							
*	12	172065-1712	30 GOLD	34.85	41.89	38.84	42.90							

* DESIGNATES PART NOT RELEASED
CONTACT FACTORY FOR AVAILABILITY.

MODEL: 768290000

FUNCTIONAL SYMBOLS	THIS DRAWING CONTAINS INFORMATION THAT IS PROPRIETARY TO MOLEX ELECTRONIC TECHNOLOGIES, LLC AND SHOULD NOT BE USED WITHOUT WRITTEN PERMISSION										
	$\frac{F}{A} = 0$ $\frac{F}{C} = 0$ $\frac{F}{P} = 0$	DIMENSION UNITS INCH	SCALE 2:1	CURRENT REV DESC:							 MEGA-FIT VERTICAL HEADER VERTICAL HEADER ASSY 2-12 CKT TOP LATCH
GENERAL TOLERANCES (UNLESS SPECIFIED)		EC NO: 652126		DRWN: ALU002		2020/12/28		CHK'D: YXZHENG		2020/12/28	
DIVISIONAL SYMBOLS		MM		INCH		APPR: YXZHENG		2020/12/28		PRODUCT CUSTOMER DRAWING	
4 PLACES ±		±		±		INITIAL REVISION:		DRWN: DRAWN BY		0099/99/99	
3 PLACES ±		±		±		APPR: APPR BY		0099/99/99		SD-76829-0100	
2 PLACES ±		0.25		±		THIRD ANGLE PROJECTION		DRAWING		SERIES	
1 PLACE ±		0.5		±		DRAFT WHERE APPLICABLE MUST REMAIN WITHIN DIMENSIONS		C-SIZE		76829	
0 PLACES ±		±		±		MATERIAL NUMBER		CUSTOMER		SHEET NUMBER	
ANGULAR TOL ± 0.5 °		±		±		GENERAL MARKET		PSD		000 E	
DOCUMENT STATUS		P1		RELEASE DATE		2020/12/28 07:49:13		3 OF 3			