



产品编号 : 781720002

系列号 : 78172

Product Category : Connector Housings

Product Description : 1.20mm Pitch Pico-EZmate Receptacle Crimp Housing, Single Row, Friction Lock, 2 Circuits, Black

状态 : Active

文件和资源

图纸

图纸 781720002_sd.pdf

3D 模型和设计文件

2D 图纸 DXF 781720002.dxf

2D 图纸 DXF PDF 781720002.pdf

3D模型 781720002_stp.zip

规格


应用规格 AS-78172-006-001.pdf

包装规格 SPK-78172-001-001.pdf

产品规格 781720000-PS-000.pdf

产物环境合规

合规

GADSL/IMDS	Not Relevant
China RoHS	
EU ELV	Not Relevant
Low-Halogen Status	Low-Halogen per IEC 61249-2-21
REACH SVHC	Not Contained per D(2023)8585-DC (23 Jan 2024)
EU RoHS	Compliant per EU 2015/863

多部分产品合规性声明

- Eu RoHS
- REACH SVHC
- Low-Halogen

- IPC 1752A Class C
- IPC 1752A Class D
- Molex Product Compliance Declaration

- IEC-62474

- chemSHERPA (xml)

欧盟 RoHS 合格证书

产品详情

常规

状态	活动
类别	Connector Housings
系列	78172
说明	1.20mm Pitch Pico-EZmate Receptacle Crimp Housing, Single Row, Friction Lock, 2 Circuits, Black
应用	Signal, Wire-to-Board
产品系列	Pico-EZmate and Pico-EZmate Plus Wire-to-Board Connector Systems
产品名称	Pico-EZmate
UPC	800756654669

机构

CSA	LR19980
UL	E29179

物理

断开	否
电路数 (最多)	2
颜色-树脂	黑色
阻燃性	94V-0
性别	Receptacle
符合灼热丝规范	否
插接极性	无
锁定插接部位	是
材料 - 树脂	Liquid Crystal Polymer
净重	0.010/g
行数	1
包装形式	Bag

面板安装式	否
间距 - 插配接口	1.20mm
间距 - 终端界面	1.20mm
有极性的插配件	是
可堆叠的	否
运行温度范围	-40° to +105° C

可配插/可连接使用的产品

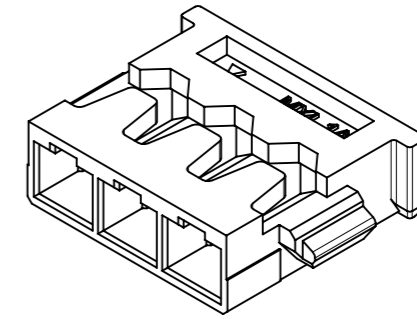
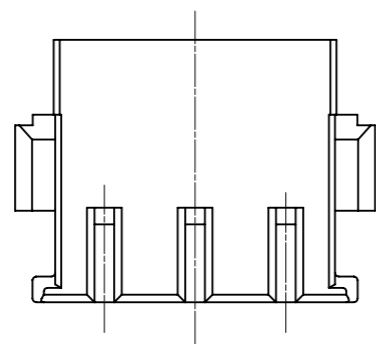
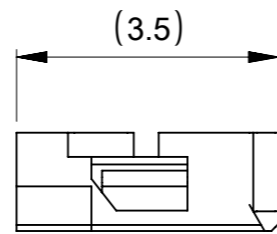
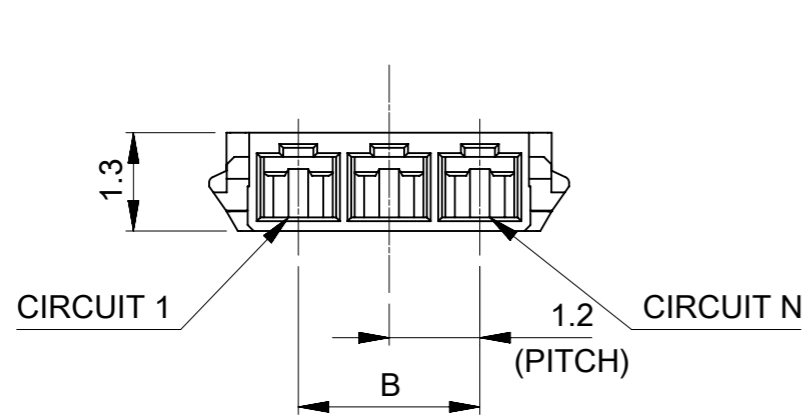
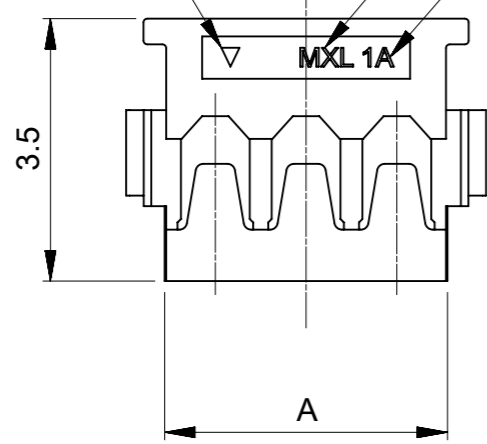
可配插部件

描述	产品编号
Pico-EZmate Single Row Headers	<u>78171</u>

可连接使用部件

描述	产品编号
Pico-EZmate Female Crimp Terminal, Gold (Au) over Nickel Plating 0.10µm, 28-30 AWG, Reel	<u>/content/molex/molex-dot-com/cn/zh/products/product-page.html/781720410.html</u>

CIRCUIT 1 INDICATOR MARK
 TRADE MARK
 CAV & MOLD No



NOTES

- 1 材料：TABLE 1 参照
MATERIAL：SEE TABLE 1
- 2 適合製品及び各種仕様書はSHEET 2 をご参考ください。
PLEASE REFER TO SHEET 2 FOR APPLICABLE PRODUCTS AND VARIOUS SPECIFICATIONS.

4.8	6.2	781720005	5
3.6	5.0	781720004	4
2.4	3.8	781720003	3
1.2	2.6	781720002	2
B	A	オーダー番号 ORDER No	極数 CIRCUIT SIZE
		梱包形態: ポリ袋 PACKAGING: POLYBAG	

TABLE 1

部品 PART	材質 MATERIAL
ハウジング HOUSING	液晶ポリマー LCP, ガラス充填, UL94 V-0 色 : 黒 LIQUID CRYSTAL POLYMER (LCP), GLASS FILLED, UL94 V-0, COLOR: BLACK

THIS DRAWING CONTAINS INFORMATION THAT IS PROPRIETARY TO MOLEX ELECTRONIC TECHNOLOGIES, LLC AND SHOULD NOT BE USED WITHOUT WRITTEN PERMISSION									
DIMENSION UNITS mm		SCALE NTS		CURRENT REV DESC: REDRAWN				molex	
GENERAL TOLERANCES (UNLESS SPECIFIED)		ANGULAR TOL ± 3.0°		EC NO: 677114					
4 PLACES ± 0.2		DRWN: SNAKAMURA08		2018/06/21		PICO-EZMATE 1.2 WIRE TO BOARD CONNECTOR 2-5 CKT RECEPTACLE HOUSING			
3 PLACES ± 0.2		CHK'D: SAKIYAMA		2022/06/06		PRODUCT CUSTOMER DRAWING			
2 PLACES ± 0.2		APPR: AIDA		2022/06/07		DOCUMENT NUMBER			
1 PLACE ± 0.2		INITIAL REVISION:		DRWN: SNAKAMURA08		2018/06/21		781720000-SD	
0 PLACES ± 0.2		APPR: AIDA		2022/06/07		MATERIAL NUMBER		CUSTOMER	
DRAFT WHERE APPLICABLE MUST REMAIN WITHIN DIMENSIONS		THIRD ANGLE PROJECTION		DRAWING A3-SIZE		SERIES 78172		SHEET NUMBER 1 OF 2	
DOCUMENT STATUS P1		RELEASE DATE 2022/06/07 10:28:31		SEE CHART		GENERAL			

△ 2 適合製品及び各種仕様書
 APPLICABLE PRODUCTS AND VARIOUS SPECIFICATIONS

梱包仕様書 PACKAGING SPECIFICATION	PART NUMBER		SPECIFICATION NUMBER
	78172000*		SPK-78172-001
適合圧着端子 APPLICABLE CRIMP TERMINAL	PART NUMBER	PLATING TYPE	MATERIAL
	781720410	GOLD	りん青銅 PHOSPHOR BRONZE
	781720411		コルソン銅 CORSON COPPER
適合嵌合相手 MATE WITH	SMT		
製品番号 PART NUMBER	GOLD PLATING 78171000*		
製品仕様書 PRODUCT SPECIFICATION	781710000-PS PS 000		
アプリケーション仕様書 APPLICATION SPECIFICATION	AS-78172-001		

製品嵌合図は嵌合相手図面参照のこと。
 MATING VIEW: REFER TO "MATE WITH" PART DRAWINGS.

THIS DRAWING CONTAINS INFORMATION THAT IS PROPRIETARY TO MOLEX ELECTRONIC TECHNOLOGIES, LLC AND SHOULD NOT BE USED WITHOUT WRITTEN PERMISSION											
DIMENSION UNITS	SCALE	CURRENT REV DESC: REDRAWN				molex					
mm	NTS					PICO-EZMATE 1.2 WIRE TO BOARD CONNECTOR 2-5 CKT RECEPTACLE HOUSING					
GENERAL TOLERANCES (UNLESS SPECIFIED)						PRODUCT CUSTOMER DRAWING					
ANGULAR TOL	± 3.0 °										
4 PLACES	± 0.2	EC NO: 677114		DRWN: SNAKAMURA08		2018/06/21					
3 PLACES	± 0.2	CHK'D: SAKIYAMA		2022/06/06		APPR: AIDA		2022/06/07			
2 PLACES	± 0.2	INITIAL REVISION:									
1 PLACE	± 0.2	DRWN: SNAKAMURA08		2018/06/21		APPR: AIDA		2022/06/07			
0 PLACES	± 0.2	DRWN: SNAKAMURA08		2018/06/21		APPR: AIDA		2022/06/07			
DRAFT WHERE APPLICABLE MUST REMAIN WITHIN DIMENSIONS		THIRD ANGLE PROJECTION	DRAWING	SERIES	MATERIAL NUMBER	CUSTOMER	DOCUMENT NUMBER		DOC TYPE	DOC PART	REVISION
				A3-SIZE	78172	SEE CHART	GENERAL	781720000-SD	PSD	000	A
				SHEET NUMBER							2 OF 2