



产品编号 : 782131044

Product Description : Impact 4 Pair, Right-Angle Power Header, Press-Fit, Blade A1 & A2 Length 6.90mm, Blade B1 & B2 Length 5.70, LCP, Glass Filled UL94-V0, Black, Tray Packaging, Lead-Free

系列号 : 78213

状态 : Active

Product Category : Backplane Connectors

文件和资源

图纸

图纸 782131044_sd.pdf

包装设计图 PK-78213-001-001.pdf

3D 模型和设计文件

3D模型 782131044_stp.zip

符号足迹数据 SYM-78213-1044-001.zip


规格

应用规格 AS-76060-9997-001.pdf

产品规格 PS-78213-001-001.pdf

产物环境合规

合规

GADSL/IMDS	Not Relevant
China RoHS	
EU ELV	Not Relevant
Low-Halogen Status	Low-Halogen per IEC 61249-2-21
REACH SVHC	Not Contained per D(2023)8585-DC (23 Jan 2024)
EU RoHS	Compliant per EU 2015/863

多部分产品合规性声明

- Eu RoHS
- REACH SVHC
- Low-Halogen

- IPC 1752A Class C
- IPC 1752A Class D

- Molex Product Compliance Declaration

- IEC-62474

- chemSHERPA (xml)

欧盟 RoHS 合格证书

产品详情

常规

状态	活动
类别	Backplane Connectors
系列	78213
说明	Impact 4 Pair, Right-Angle Power Header, Press-Fit, Blade A1 & A2 Length 6.90mm, Blade B1 & B2 Length 5.70, LCP, Glass Filled UL94-V0, Black, Tray Packaging, Lead-Free
应用	Conventional, Coplanar
元件类型	Power Header
产品系列	Impact Backplane Connector and Cable Assembly System
产品名称	Impact
UPC	800756931333

机构

CSA	LR19980
UL	E29179

电气

每触点最大电流	20.0A
数据传输率	不适用
屏蔽形式	不适用
屏蔽	否
电压 - 最大	250V

物理

回路数 (已载入)	4
电路数 (最多)	4

颜色-树脂	黑色
耐用性(插拔次数) - 最多次数	200
先接后断	是
阻燃性	94V-0
可配插产品指南	否
插接极性	无
材料 - 金属	Copper Alloy
材料 - 接合部位电镀	金牌
材料 - 终端电镀	Tin
材料 - 树脂	High Temperature Thermoplastic
净重	8.697/g
列数	不适用
线对数	4
行数	2
方向	Right Angle
包装形式	Tray
PC 焊脚长度	2.00mm
PCB 定位器	否
PCB 保持力	无
推荐的 PCB 厚度	1.60mm
间距 - 插配接口	5.20mm
间距 - 终端界面	2.00mm, 3.20mm
最薄镀层 - 接合部位	0.762µm
最薄镀层 - 端接	2.540µm
PCB 极性	否
可堆叠的	否
运行温度范围	-55° to +85° C
终端界面类型	Through Hole - Compliant Pin

进程

无铅	不适用
----	-----

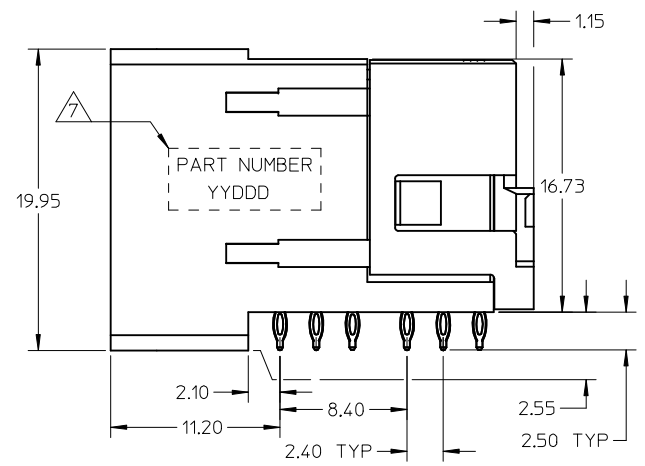
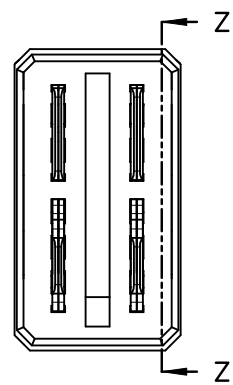
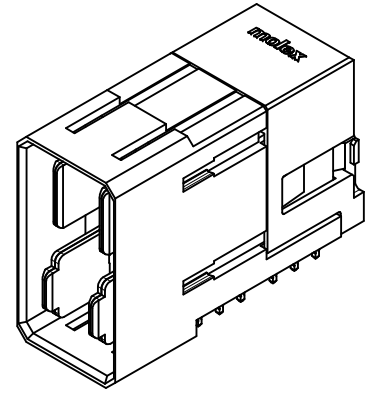
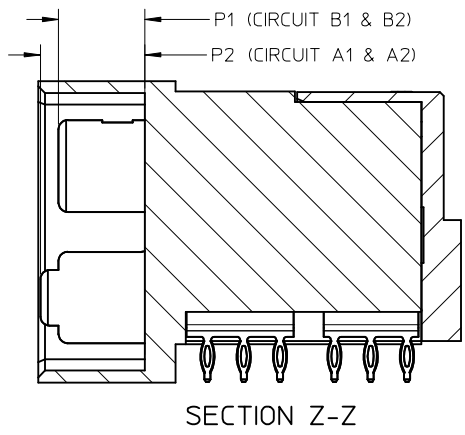
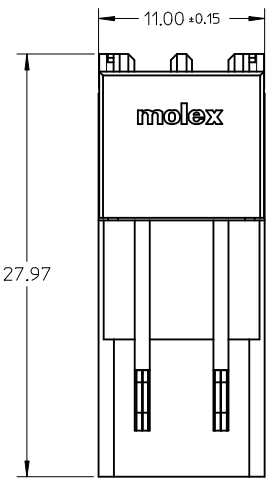
可配插/可连接使用的产品

可配插部件

描述	产品编号
Impact 4 Pair Vertical Power Receptacles	<u>78214</u>
Impact 4 Pair Right-Angle Power Receptacles	<u>78350</u>

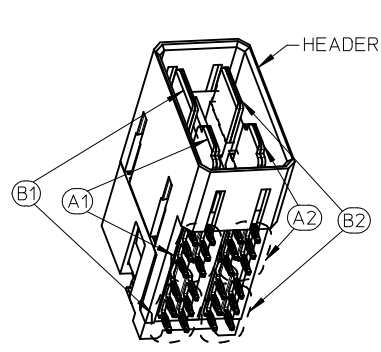
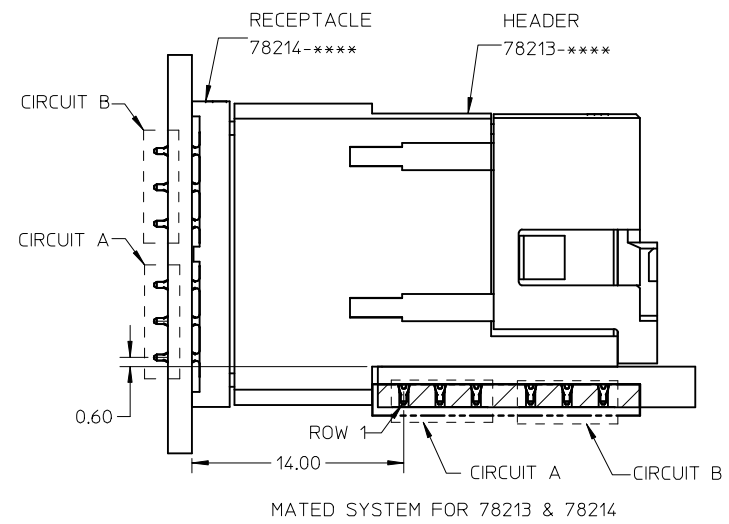
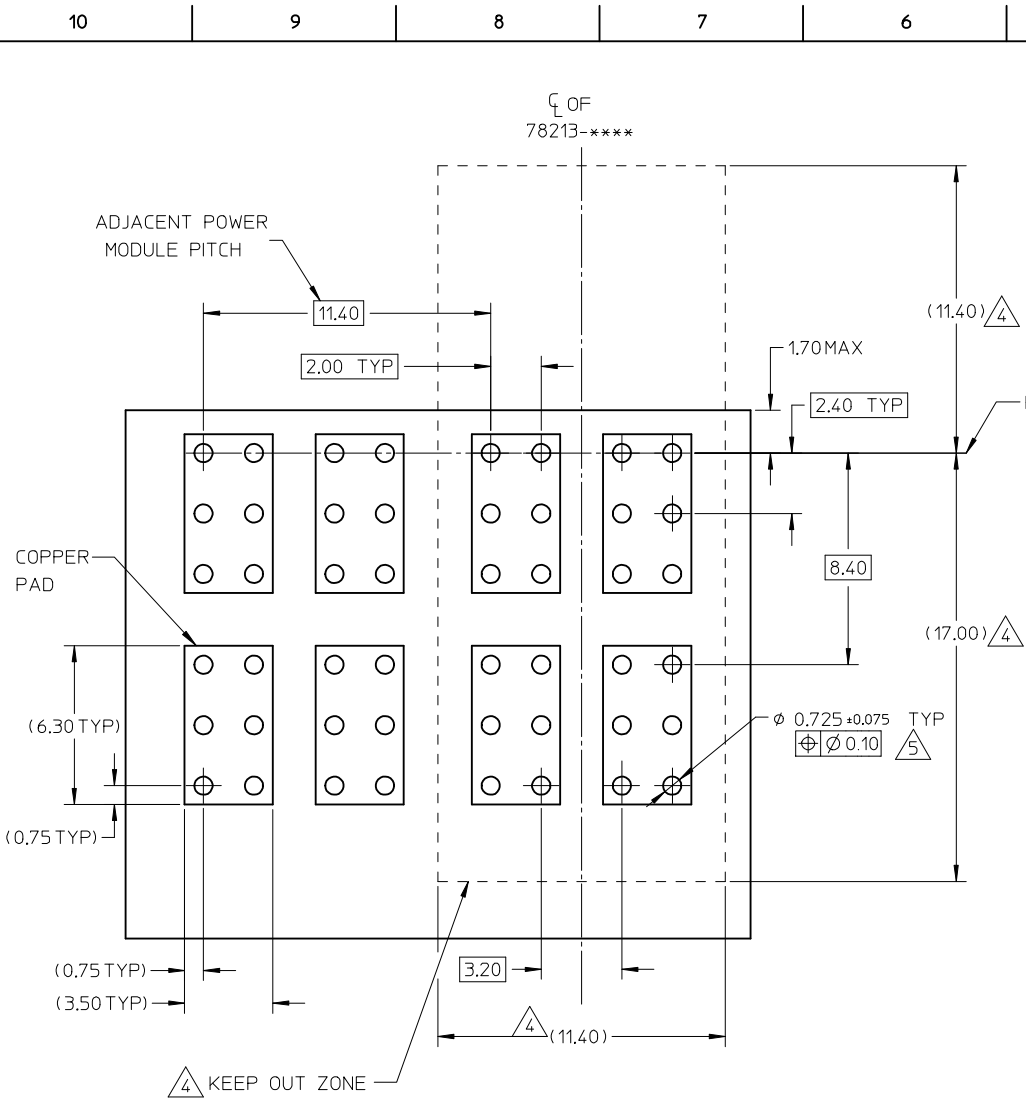
This document was generated on Jun 03, 2024

10 9 8 7 6 5 4 3 2 1

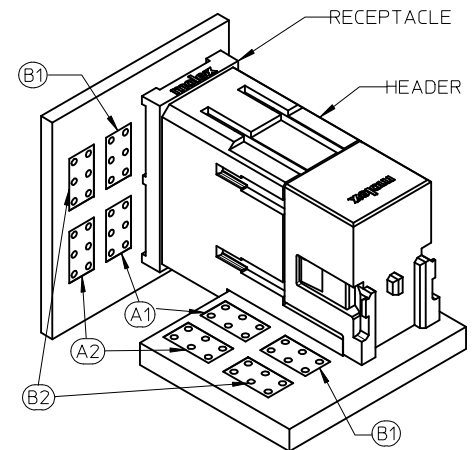


SEE SHEET 2 EC NO: S2014-0872 DRWN: SHONG CHKD: HCGOH APPR: SILENI	2015/01/09 2015/01/09 2015/04/07	DESCRIPTION REV	QUALITY SYMBOLS	GENERAL TOLERANCES (UNLESS SPECIFIED)	DIMENSION STYLE	SCALE	DESIGN UNITS	THIRD ANGLE PROJECTION	
			$\nabla=0$ $\square=0$	mm INCH 4 PLACES ± --- ± --- 3 PLACES ± --- ± --- 2 PLACES ± 0.25 ± --- 1 PLACE ± --- ± --- ANGULAR ± 3 °	MM ONLY	NTS	METRIC	DRAWN BY: LNG DATE: 2007/11/02 CHECKED BY: KWLOKE DATE: 2008/01/11 APPROVED BY: SHONG DATE: 2008/01/11	TITLE: IMPACT POWER, 4 PAIR RIGHT ANGLE HEADER PRESS-FIT MOLEX INCORPORATED
			DRAFT WHERE APPLICABLE MUST REMAIN WITHIN DIMENSIONS	SEE TABLE	MATERIAL NO.	DOCUMENT NO.	SHEET NO.		
					SD-78213-003	1 OF 3			

9 8 7 6 5 4 3 2 1



PIN NUMBER ASSIGNMENT
BASED ON HEADER SIDE:
A1, B1 ON THE LEFT,
A2, B2 ON THE RIGHT.



RECOMMENDED PCB LAYOUT
(COMPONENT SIDE SHOWN)
MINIMUM BOARD THICKNESS: 1.60mm
RECOMMENDED BOARD THICKNESS: 2.80mm

ADD VIEW EC NO: S2014-0872 DRWN: SHONG CHKD: HICGOH APPR: SHILENI 2015/01/09 2015/01/09 2015/04/07	QUALITY SYMBOLS ▽=0 ◻=0	GENERAL TOLERANCES (UNLESS SPECIFIED)		DIMENSION STYLE MM ONLY		SCALE NTS	DESIGN UNITS METRIC	THIRD ANGLE PROJECTION		
			mm	INCH	DRAWN BY	DATE	TITLE			
		4 PLACES	± ---	± ---	LNG	2007/11/02	IMPACT POWER, 4 PAIR RIGHT ANGLE HEADER PRESS-FIT			
		3 PLACES	± ---	± ---	CHECKED BY	DATE				
2 PLACES	± 0.25	± ---	APPROVED BY	DATE	MOLEX INCORPORATED					
1 PLACE	± ---	± ---	SHONG	2008/01/11						
ANGULAR ± 3 °		DRAFT WHERE APPLICABLE MUST REMAIN WITHIN DIMENSIONS		SEE TABLE		DOCUMENT NO.		SHEET NO.		
				MATERIAL NO.		SD-78213-003		2 OF 3		
				THIS DRAWING CONTAINS INFORMATION THAT IS PROPRIETARY TO MOLEX INCORPORATED AND SHOULD NOT BE USED WITHOUT WRITTEN PERMISSION						

10	9	8	7	6	5	4	3	2	1
PART NUMBER	P1 (APPLIES TO B1 & B2)	P2 (APPLIES TO A1 & A2)	PLATING OPTIONS	PACKAGING					
78213-1011	6.90	6.90	TIN PLATING	TRAY					
78213-1022	5.70	5.70							
78213-1033	6.90	5.70							
78213-1044	5.70	6.90							

NOTES:

1. MATERIAL:

HOUSING - LCP, GLASS FILLED, UL94-V0, COLOR: BLACK
POWER PIN - COPPER ALLOY

2. FINISH OPTION:

TIN - 0.76µm MINIMUM GOLD AT CONTACT AND
2.54µm MINIMUM TIN AT SOLDER TAIL AREA OVER
1.27µm MINIMUM NICKEL UNDERPLATE OVERALL.

3. PRODUCT SPECIFICATION: PS-78213-001.

4. KEEP OUT ZONE FROM OTHER COMPONENTS.

5. PCB NOTE FOR DIAMETER 0.725mm PLATED HOLE.

- DRILLED HOLE SIZE IS 0.838mm
- PLATED WITH 0.007mm MIN. TIN OVER
0.03 TO 0.08mm COPPER UNDERPLATE TO ACHIEVE
0.725±0.075mm HOLE.

SEE SHEET 2 FOR RECOMMENDED PCB LAYOUT.

6. MATES WITH 78214-****.

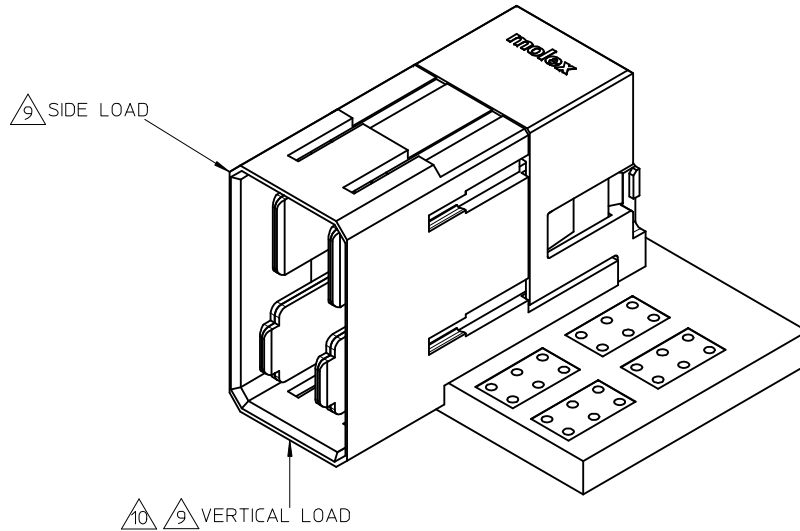
7. PART NUMBER AND DATE CODE (YYDDD) APPROXIMATELY SHOWN.

8. REFER TO SERIES 76155 & 76160 FOR SIGNAL MODULES.

9. CONNECTOR-TO-PCB RETENTION FORCE SHALL WITHSTAND
A VERTICAL AND SIDE LOAD OF 3KGF AND 4KGF MAXIMUM
RESPECTIVELY.

10. FOR APPLICATION USING LESS THAN 2.80MM PCB THICKNESS,
DO NOT PLACE PCBA (ASSEMBLED WITH CONNECTOR) ON A FLAT
SURFACE. THIS IS TO PREVENT EXERTING VERTICAL LOAD
(WEIGHT OF PCBA) ON CONNECTOR OVERHANG.

11. FOR APPLICATION THAT REQUIRES MORE CONNECTOR-TO-PCB
RETENTION FORCE, PLEASE CONTACT MOLEX SALE TECHNICAL
PERSONNEL FOR RECOMMENDATION.



SEE SHEET 2 EC NO: S2014-0872 DRWN: SHONG CHKD: HCGOH APPR: SILENI	2015/01/09 2015/01/09 2015/04/07	DESCRIPTION REV	QUALITY SYMBOLS	GENERAL TOLERANCES (UNLESS SPECIFIED)	DIMENSION STYLE	SCALE	DESIGN UNITS	THIRD ANGLE PROJECTION		
			▽=0 ∇=0	mm INCH	MM ONLY	NTS	METRIC	□		
				4 PLACES ± --- ± --- 3 PLACES ± --- ± --- 2 PLACES ± 0.25 ± --- 1 PLACE ± --- ± ---	DRAWN BY DATE LNG 2007/11/02	CHECKED BY DATE KWLOKE 2008/01/11	TITLE	IMPACT POWER, 4 PAIR RIGHT ANGLE HEADER PRESS-FIT		
				ANGULAR ± 3 °	APPROVED BY DATE SHONG 2008/01/11	MATERIAL NO.	DOCUMENT NO.	MOLEX INCORPORATED SD-78213-003		
A4			DRAFT WHERE APPLICABLE MUST REMAIN WITHIN DIMENSIONS	SIZE A3	THIS DRAWING CONTAINS INFORMATION THAT IS PROPRIETARY TO MOLEX INCORPORATED AND SHOULD NOT BE USED WITHOUT WRITTEN PERMISSION			SHEET NO. 3 OF 3		