

产品编号 : 782471001

系列号 : 78247

Product Category : Backplane Connectors

**Product Description** : Impact 3 Pair, Right-Angle Power Receptacle, Press-Fit, LCP, Glass Filled UL94-V0, Black, Tray Packaging, Lead-Free

**状态** : Active

---

## 文件和资源

### 图纸

图纸 782471001\_sd.pdf

包装设计图 PK-78247-001-001.pdf

### 3D 模型和设计文件

3D模型 782471001\_stp.zip

符号足迹数据 SYM-78247-1001-001.zip

### 规格


应用规格 AS-76060-9997-001.pdf

产品规格 PS-78213-001-001.pdf

---

## 产物环境合规

### 合规

GADSL/IMDS	Compliant with Exemption 44
China RoHS	
EU ELV	Not Relevant
Low-Halogen Status	Low-Halogen per IEC 61249-2-21
REACH SVHC	Not Contained per D(2023)8585-DC (23 Jan 2024)
EU RoHS	Compliant per EU 2015/863

### 多部分产品合规性声明

- Eu RoHS
- REACH SVHC
- Low-Halogen
  
- IPC 1752A Class C
- IPC 1752A Class D
- Molex Product Compliance Declaration

- IEC-62474

- chemSHERPA (xml)

欧盟 RoHS 合格证书

## 产品详情

### 常规

状态	活动
类别	Backplane Connectors
系列	78247
说明	Impact 3 Pair, Right-Angle Power Receptacle, Press-Fit, LCP, Glass Filled UL94-V0, Black, Tray Packaging, Lead-Free
应用	Coplanar
元件类型	Power Receptacle
产品系列	Impact Backplane Connector and Cable Assembly System
产品名称	Impact
UPC	884982004399

### 机构

UL	E29179
----	--------

### 电气

每触点最大电流	15.0A
数据传输率	不适用
屏蔽形式	不适用
屏蔽	否
电压 - 最大	250V

### 物理

回路数 (已载入)	4
电路数 (最多)	4
颜色-树脂	黑色
耐用性(插拔次数) - 最多次数	200
先接后断	否

阻燃性	94V-0
可配插产品指南	否
插接极性	无
材料 - 金属	Copper Alloy
材料 - 接合部位电镀	金牌
材料 - 终端电镀	Tin
材料 - 树脂	High Temperature Thermoplastic
净重	5.705/g
列数	不适用
线对数	3
行数	2
方向	Right Angle
包装形式	Tray
PC 焊脚长度	2.50mm
PCB 定位器	否
PCB 保持力	无
推荐的 PCB 厚度	1.60mm
间距 - 插配接口	5.20mm
间距 - 终端界面	2.00mm, 3.20mm
最薄镀层 - 接合部位	0.762µm
最薄镀层 - 端接	2.540µm
PCB 极性	否
可堆叠的	否
运行温度范围	-55° to +85° C
终端界面类型	Through Hole - Compliant Pin

## 进程

无铅	不适用
----	-----

---

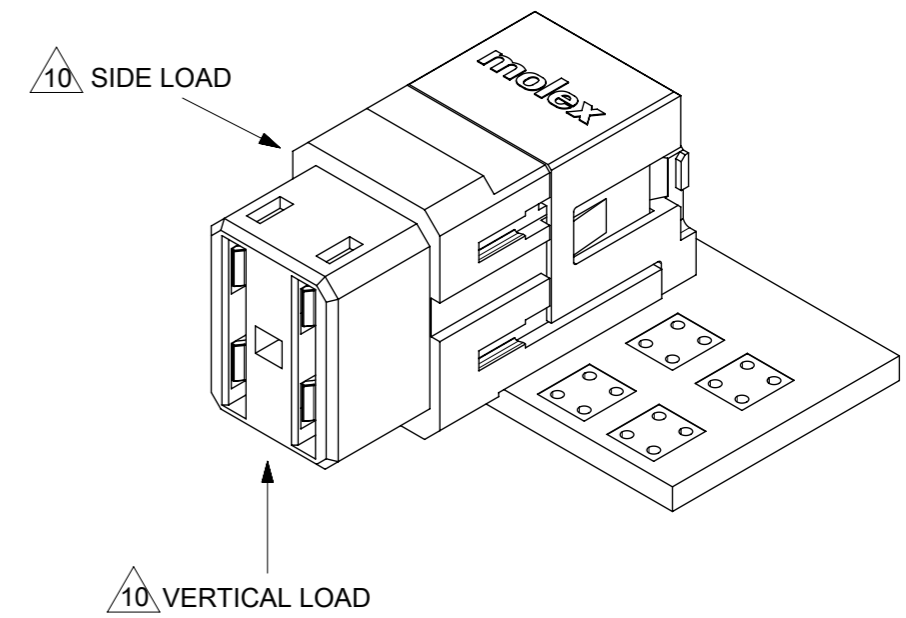
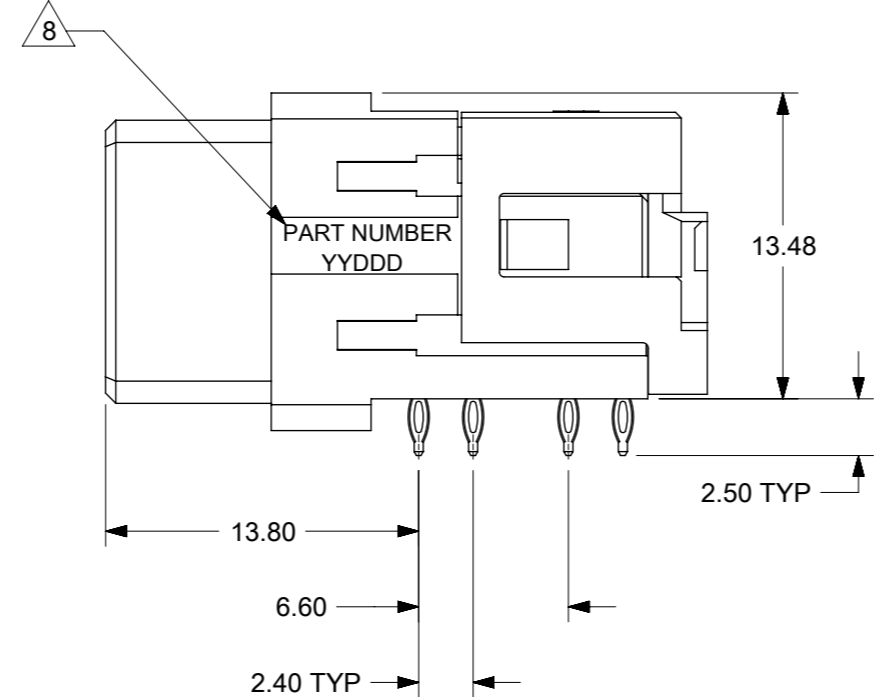
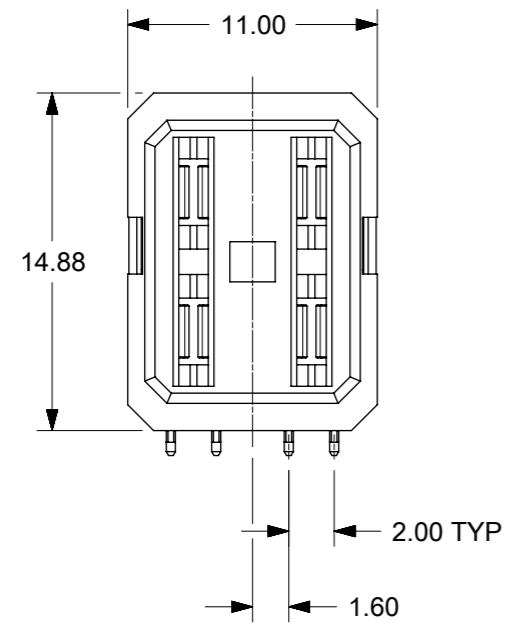
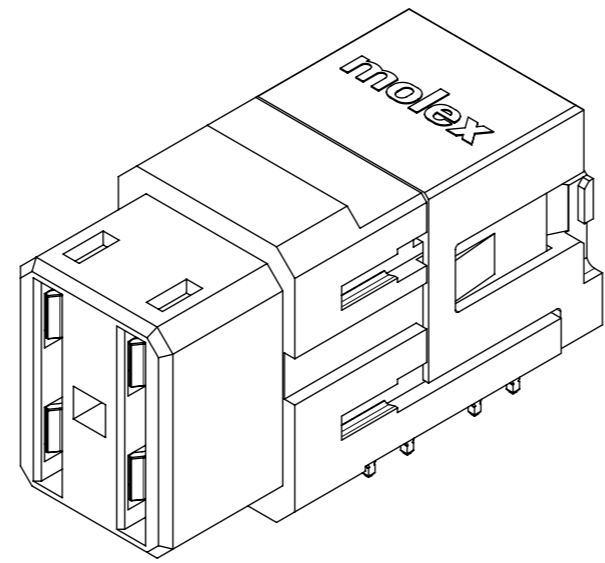
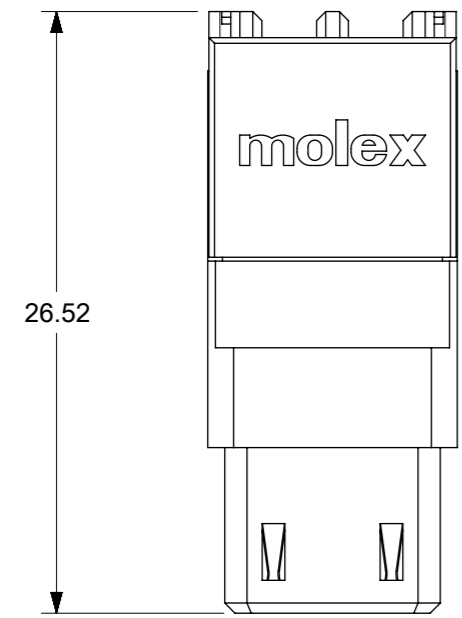
## 可配插/可连接使用的产品

### 可配插部件

描述	产品编号
Impact 3 Pair Right-Angle Power Headers	<u>78347</u>

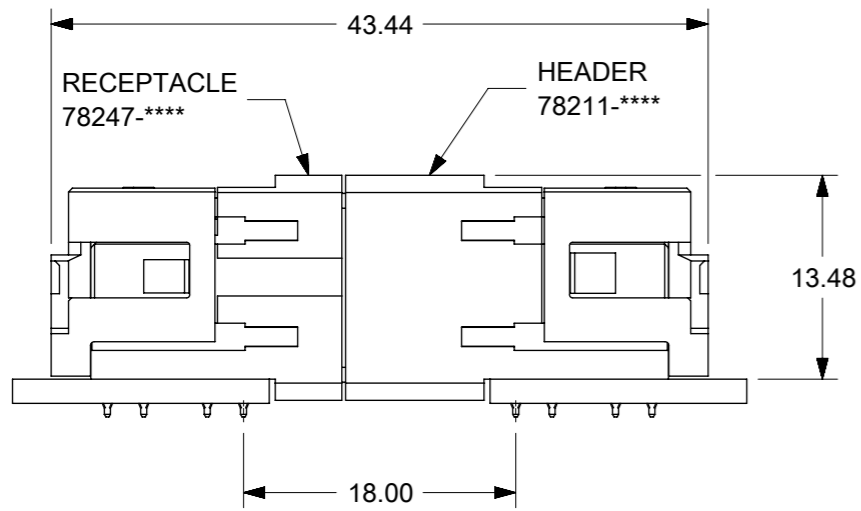


PART NUMBER	PLATING OPTIONS	PACKAGING
78247-1001	TIN PLATING	TRAY

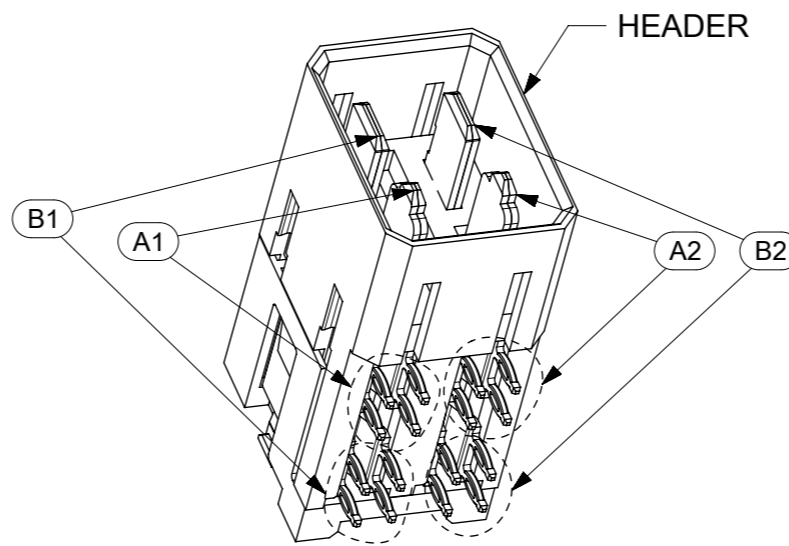


- NOTES:
1. MATERIAL:  
HOUSING - LCP, GLASS FILLED, UL94-V0, COLOR: BLACK  
POWER PIN - COPPER ALLOY
  2. FINISHES:  
TIN - 0.76 $\mu$ m MINIMUM GOLD AT CONTACT AND  
2.54 $\mu$ m MINIMUM TIN AT SOLDERTAIL AREA OVER  
1.27 $\mu$ m MINIMUM NICKEL UNDERPLATE OVERALL.
  3. PRODUCT SPECIFICATION: PS-78213-001.
  4. PACKAGING SPECIFICATION: PK-78247-001.
  5. MATES WITH 78211-\*\*\*\* & 78399-\*\*\*\*.
  - 6 REFER TO SHEET 3 FOR RECOMMENDED PCB LAYOUT.
  7. REFER TO MOLEX PRODUCT SPECIFICATION PS-78213-001 FOR PLATED THROUGH-HOLE SPECIFICATIONS.
  8. PART NUMBER AND DATE CODE (YYDDD) APPROXIMATELY SHOWN.
  9. KEEP OUT ZONE FROM OTHER COMPONENTS.
  10. CONNECTOR-TO-PCB RETENTION FORCE SHALL WITHSTAND VERTICAL AND SIDE LOAD OF 1.5KGF AND 3.0KGF MAXIMUM RESPECTIVELY. FOR APPLICATION THAT REQUIRES MORE CONNECTOR-TO-PCB RETENTION FORCE, PLEASE CONTACT MOLEX SALES TECHNICAL PERSONNEL FOR RECOMMENDATION.

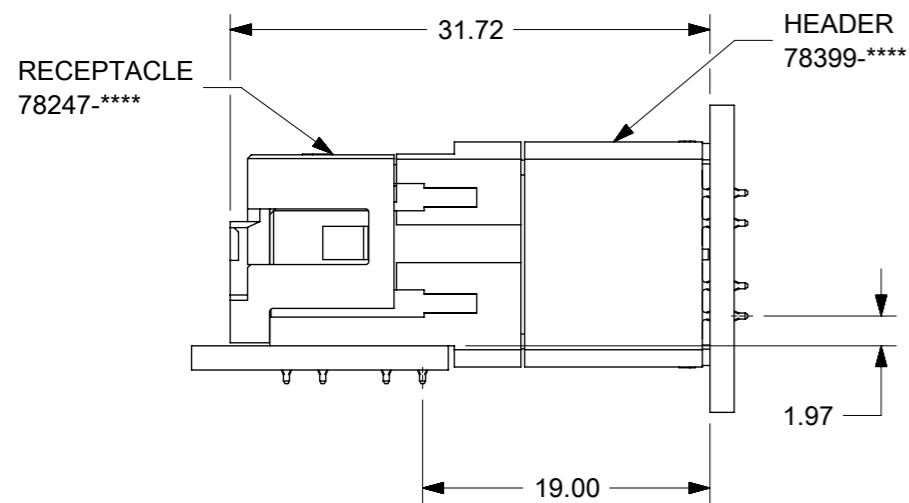
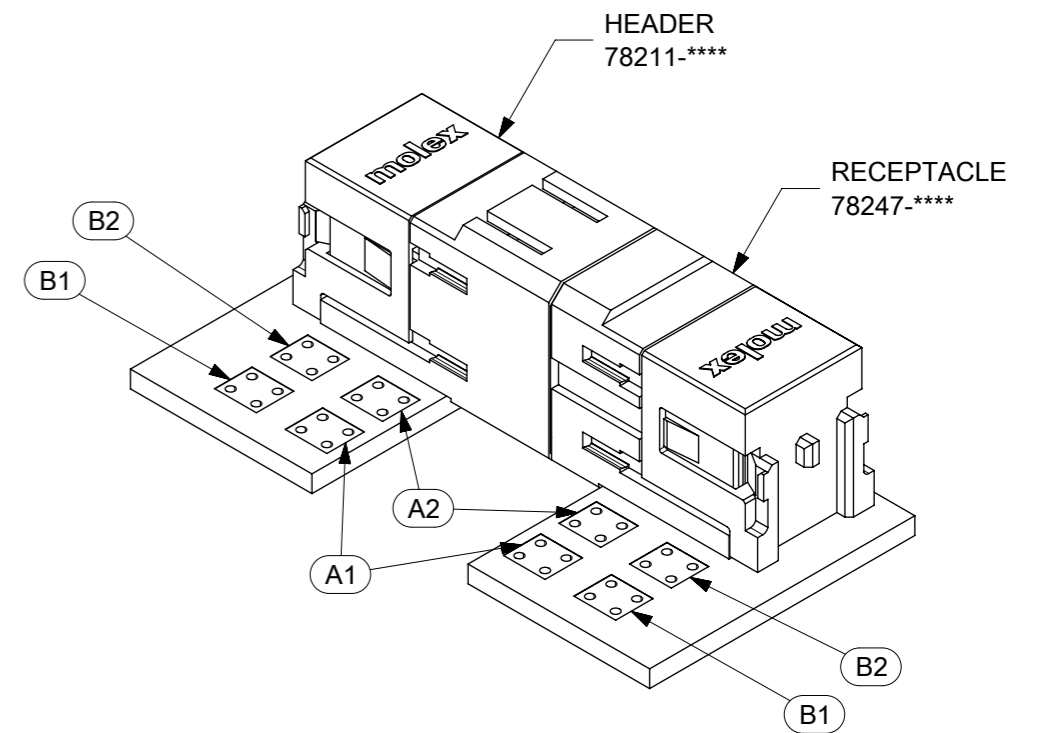
THIS DRAWING CONTAINS INFORMATION THAT IS PROPRIETARY TO MOLEX ELECTRONIC TECHNOLOGIES, LLC AND SHOULD NOT BE USED WITHOUT WRITTEN PERMISSION									
DIMENSION UNITS	SCALE	CURRENT REV DESC: MIGRATED TO NX							
mm	NTS								
GENERAL TOLERANCES (UNLESS SPECIFIED)									
ANGULAR TOL	± 3.0°	<b>IMPACT POWER, 3 PAIR RIGHT ANGLE RECEPTACLE PRESS-FIT</b>							
4 PLACES	±	<b>PRODUCT CUSTOMER DRAWING</b>							
3 PLACES	±	<small>DOCUMENT NUMBER</small> <b>SD-78247-001</b> <small>DOC TYPE</small> PSD <small>DOC PART</small> 001 <small>REVISION</small> A5							
2 PLACES	± 0.25	<small>INITIAL REVISION:</small>							
1 PLACE	±	<small>DRWN:</small> KJKOH 2008/11/10 <small>APPR:</small> SHONG 2008/11/10							
0 PLACES	±	<small>DRAFT WHERE APPLICABLE MUST REMAIN WITHIN DIMENSIONS</small>							
THIRD ANGLE PROJECTION		<small>DRAWING</small>	<small>SERIES</small>	<small>MATERIAL NUMBER</small>	<small>CUSTOMER</small>	<small>SHEET NUMBER</small>			
		A3-SIZE	78247	SEE TABLE	GENERAL MARKET	1 OF 3			



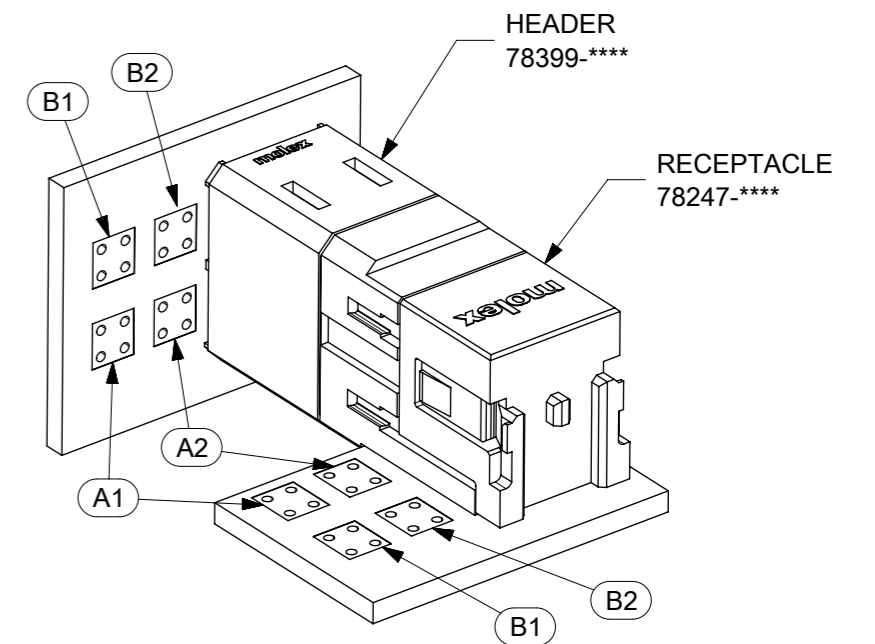
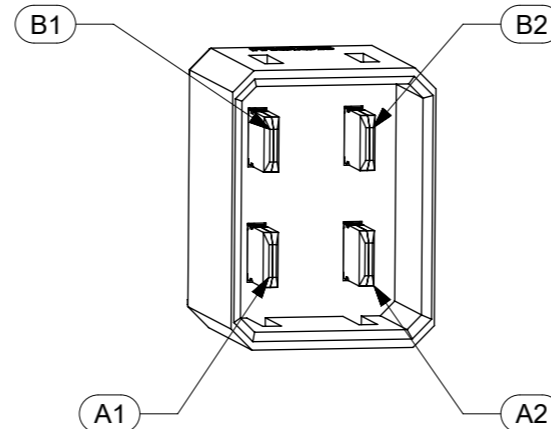
RIGHT ANGLE RECEPTACLE (78247) & RIGHT ANGLE HEADER (78211)



PIN NUMBER ASSIGNMENT BASED ON HEADER SIDE:  
A1, B1 ON THE LEFT,  
A2, B2 ON THE RIGHT.



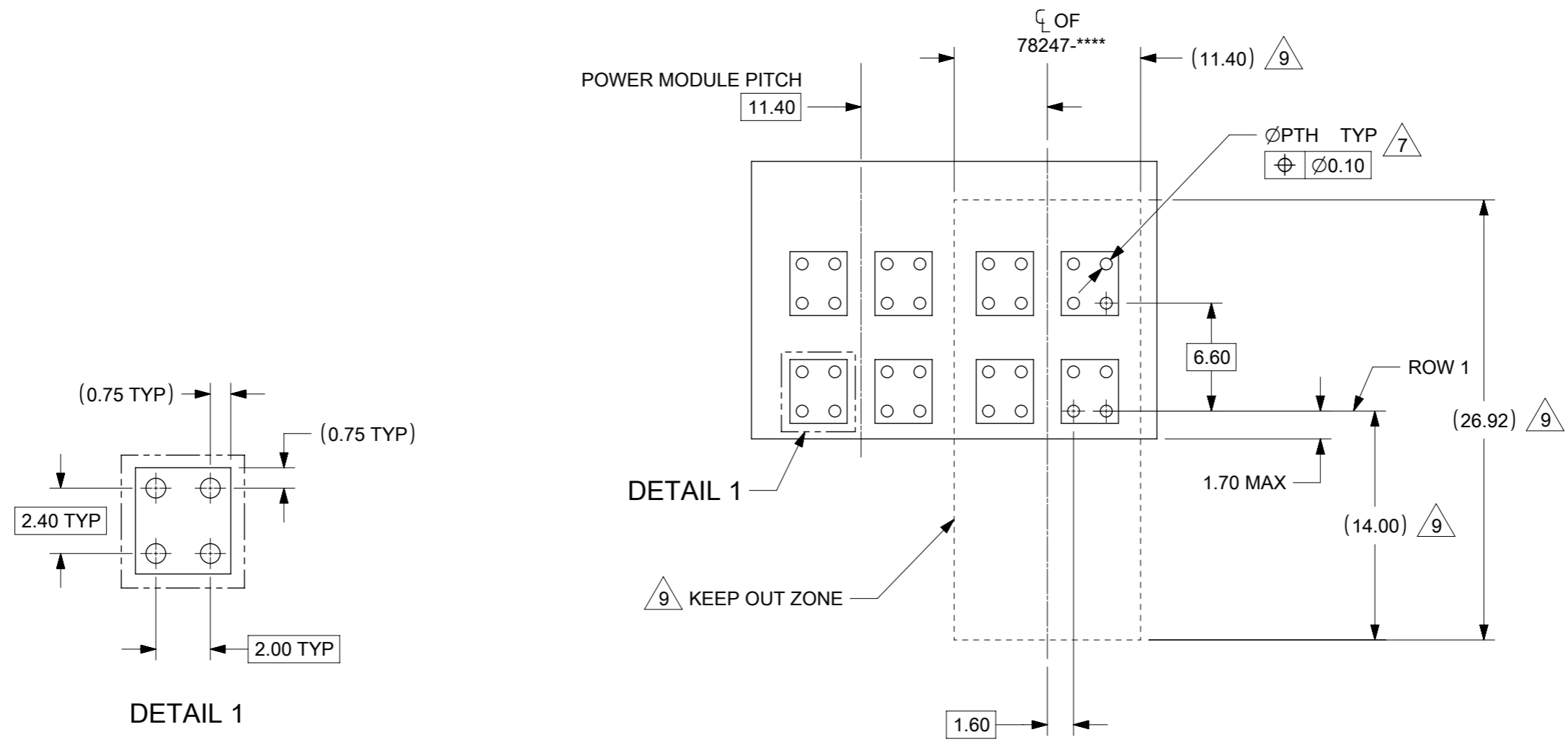
RIGHT ANGLE RECEPTACLE (78247) & VERTICAL HEADER (78399)



CIRCUIT PATH OF MATED SYSTEM

5 MATED SYSTEM OPTIONS WITH 78247

THIS DRAWING CONTAINS INFORMATION THAT IS PROPRIETARY TO MOLEX ELECTRONIC TECHNOLOGIES, LLC AND SHOULD NOT BE USED WITHOUT WRITTEN PERMISSION		CURRENT REV DESC: MIGRATED TO NX		<b>molex</b>	
DIMENSION UNITS	SCALE				
mm	NTS			IMPACT POWER, 3 PAIR RIGHT ANGLE RECEPTACLE PRESS-FIT	
GENERAL TOLERANCES (UNLESS SPECIFIED)				PRODUCT CUSTOMER DRAWING	
ANGULAR TOL	± 3.0 °	EC NO:	611162	DOCUMENT NUMBER	
4 PLACES	±	DRWN:	PMAHADEVAPPA 2019/01/17	SD-78247-001	
3 PLACES	±	CHK'D:	ABN 2019/02/01	DOC TYPE	DOC PART
2 PLACES	± 0.25	APPR:	CWANG25 2019/02/27	PSD	001
1 PLACE	±	INITIAL REVISION:		REVISION	
0 PLACES	±	DRWN:	KJKOH 2008/11/10	A5	
DRAFT WHERE APPLICABLE MUST REMAIN WITHIN DIMENSIONS		THIRD ANGLE PROJECTION	DRAWING	SERIES	MATERIAL NUMBER
			A3-SIZE	78247	CUSTOMER
					GENERAL MARKET
					SHEET NUMBER
					2 OF 3



**RECOMMENDED PCB LAYOUT**  
(COMPONENT SIDE SHOWN)  
MINIMUM BOARD THICKNESS: 1.60mm

THIS DRAWING CONTAINS INFORMATION THAT IS PROPRIETARY TO MOLEX ELECTRONIC TECHNOLOGIES, LLC AND SHOULD NOT BE USED WITHOUT WRITTEN PERMISSION									
DIMENSION UNITS <b>mm</b>		SCALE <b>NTS</b>		CURRENT REV DESC: MIGRATED TO NX					
GENERAL TOLERANCES (UNLESS SPECIFIED)				<p><b>molex</b></p> <p>IMPACT POWER, 3 PAIR RIGHT ANGLE RECEPTACLE PRESS-FIT</p> <p>PRODUCT CUSTOMER DRAWING</p>					
ANGULAR TOL		± 3.0 °							
4 PLACES		±							
3 PLACES		±							
2 PLACES		± 0.25							
1 PLACE		±		EC NO: 611162		DRWN: PMAHADEVAPPA 2019/01/17		CHK'D: ABN 2019/02/01	
0 PLACES		±		APPR: CWANG25 2019/02/27		INITIAL REVISION:		DOCUMENT NUMBER	
DRAFT WHERE APPLICABLE MUST REMAIN WITHIN DIMENSIONS		THIRD ANGLE PROJECTION		DRAWING		SERIES		MATERIAL NUMBER	
				A3-SIZE		78247		SEE TABLE	
				GENERAL MARKET		CUSTOMER		SHEET NUMBER	
								3 OF 3	