



产品编号 : 855025005

Product Description : Modular Jack, Right-Angle, Surface Mount, 4/4, Low Profile, Tape & Reel

系列号 : 85502

状态 : Active

Product Category : Modular Jacks and Plugs

文件和资源

图纸

图纸 855025005_sd.pdf

包装设计图 PK-85502-001.pdf

3D 模型和设计文件


3D模型 855025005_stp.zip

规格

产品规格 PS-95501-001.pdf

产物环境合规

合规

GADSL/IMDS	Not Relevant
China RoHS	
EU ELV	Not Relevant
Low-Halogen Status	Low-Halogen per IEC 61249-2-21
REACH SVHC	Not Contained per D(2023)8585-DC (23 Jan 2024)
EU RoHS	Compliant per EU 2015/863

多部分产品合规性声明

- Eu RoHS
- REACH SVHC
- Low-Halogen

- IPC 1752A Class C
- IPC 1752A Class D
- Molex Product Compliance Declaration
- IEC-62474
- chemSHERPA (xml)

产品详情

常规

状态	活动
类别	Modular Jacks and Plugs
系列	85502
说明	Modular Jack, Right-Angle, Surface Mount, 4/4, Low Profile, Tape & Reel
个评论	Reflow Capable
元件类型	PCB Jack
磁性的	否
性能分类	3
以太网电源 (PoE)	不适用
产品系列	Magnetic and Modular Jacks/Plugs
产品名称	Modular Jack 4/4
UPC	822350900287

机构

UL	E107635
----	---------

电气

每触点最大电流	1.5A
屏蔽	否
电压 - 最大	125V DC

物理

衬套颜色	不适用
颜色-树脂	黑色
耐用性(插拔次数) - 最多次数	2500
阻燃性	94V-0
向下 / 向上锁闩	否
插孔高度	11.50mm
光管/发光二极管	无

材料 - 金属	Copper Alloy
材料 - 接合部位电镀	Gold over Palladium Nickel
材料 - 终端电镀	Tin
材料 - 树脂	High Temperature Thermoplastic
净重	1.867/g
方向	Right Angle (Side Entry)
包装形式	Embossed Tape on Reel
PCB 定位器	否
PCB 保持力	是
间距 - 插配接口	1.02mm
间距 - 终端界面	1.27mm
最薄镀层 - 接合部位	0.051 μ m, 0.600 μ m
最薄镀层 - 端接	1.905 μ m
端口配置	1x1
位置/插入的接头	4/4
运行温度范围	-40° to +85° C
终端界面类型	Surface Mount
防水/防尘	否
导线/电缆型号	不适用

进程

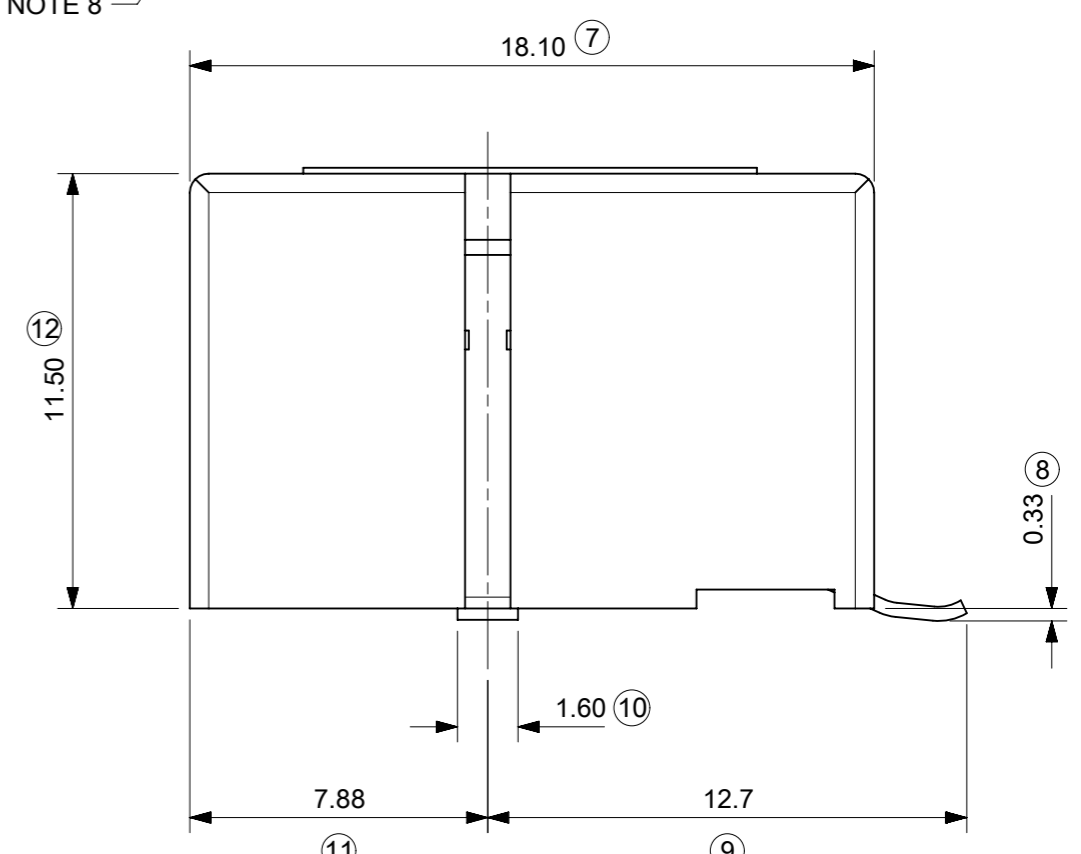
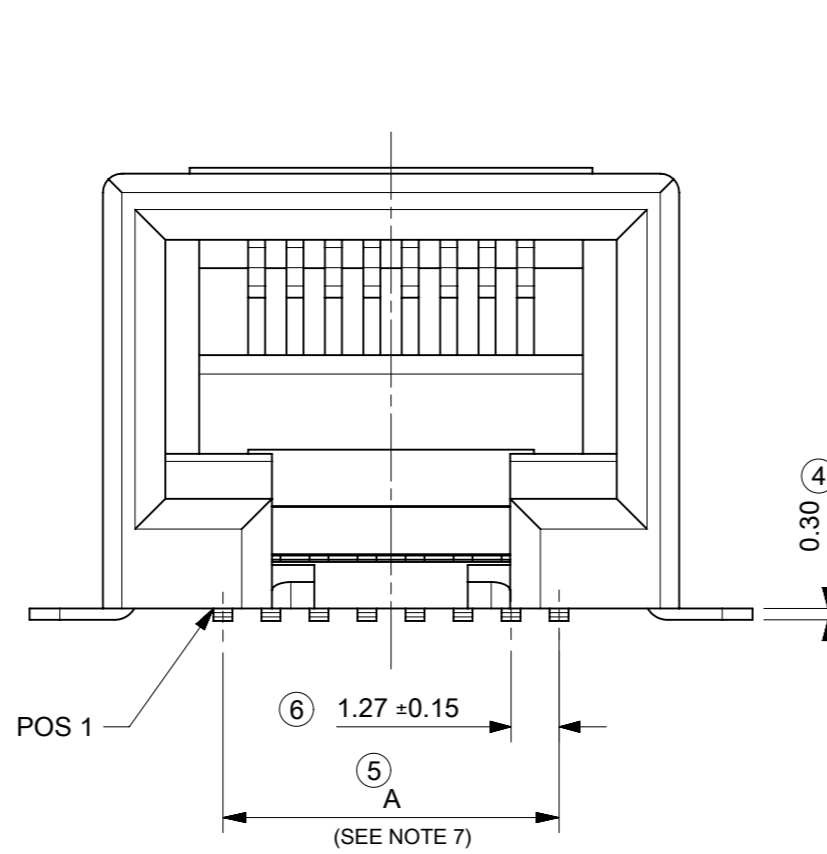
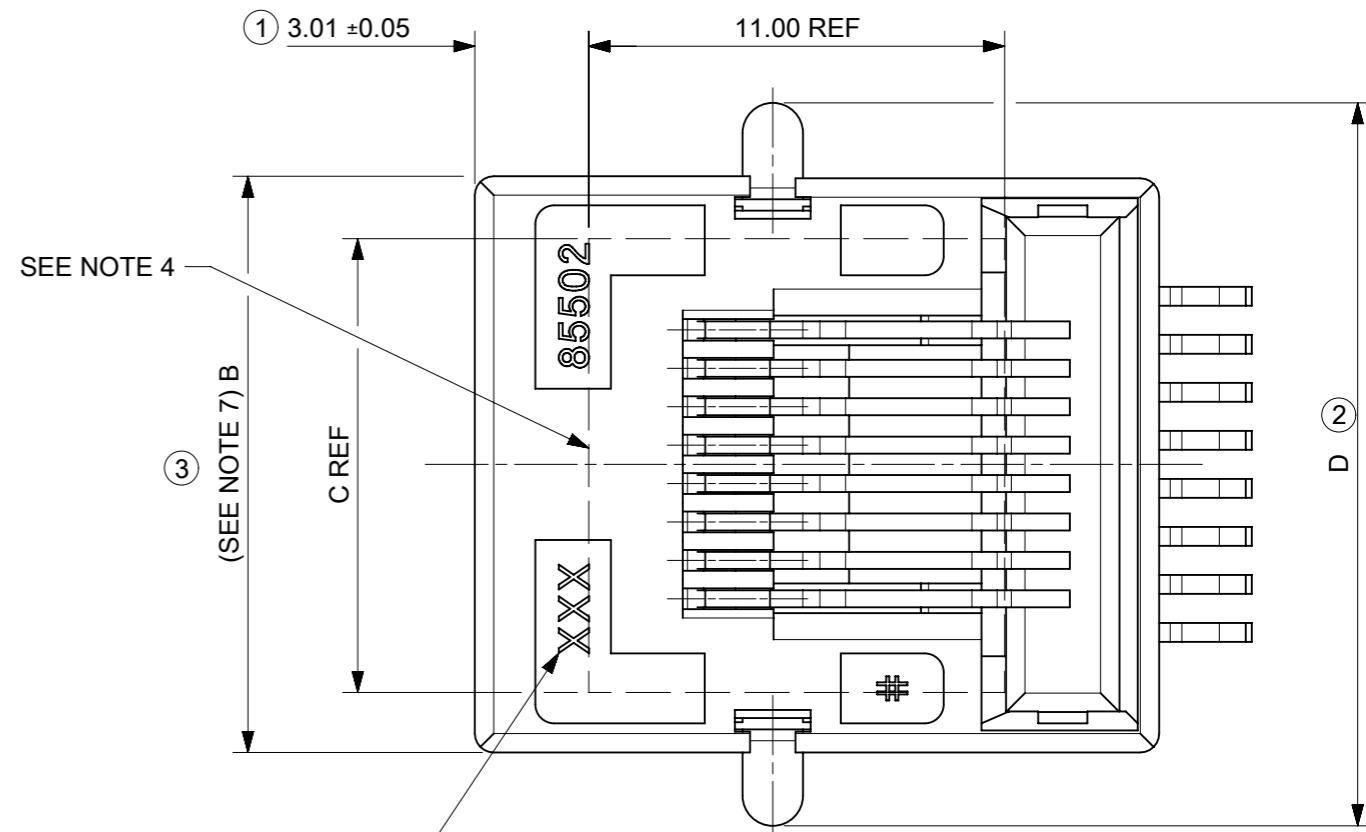
最长持续时间	45
无铅	REFLOW
最大周期	3
最高温度	260

NOTES:

1. **MATERIAL:**
HOUSING: LCP GLASS FILLED UL 94-V0 COLOUR: BLACK

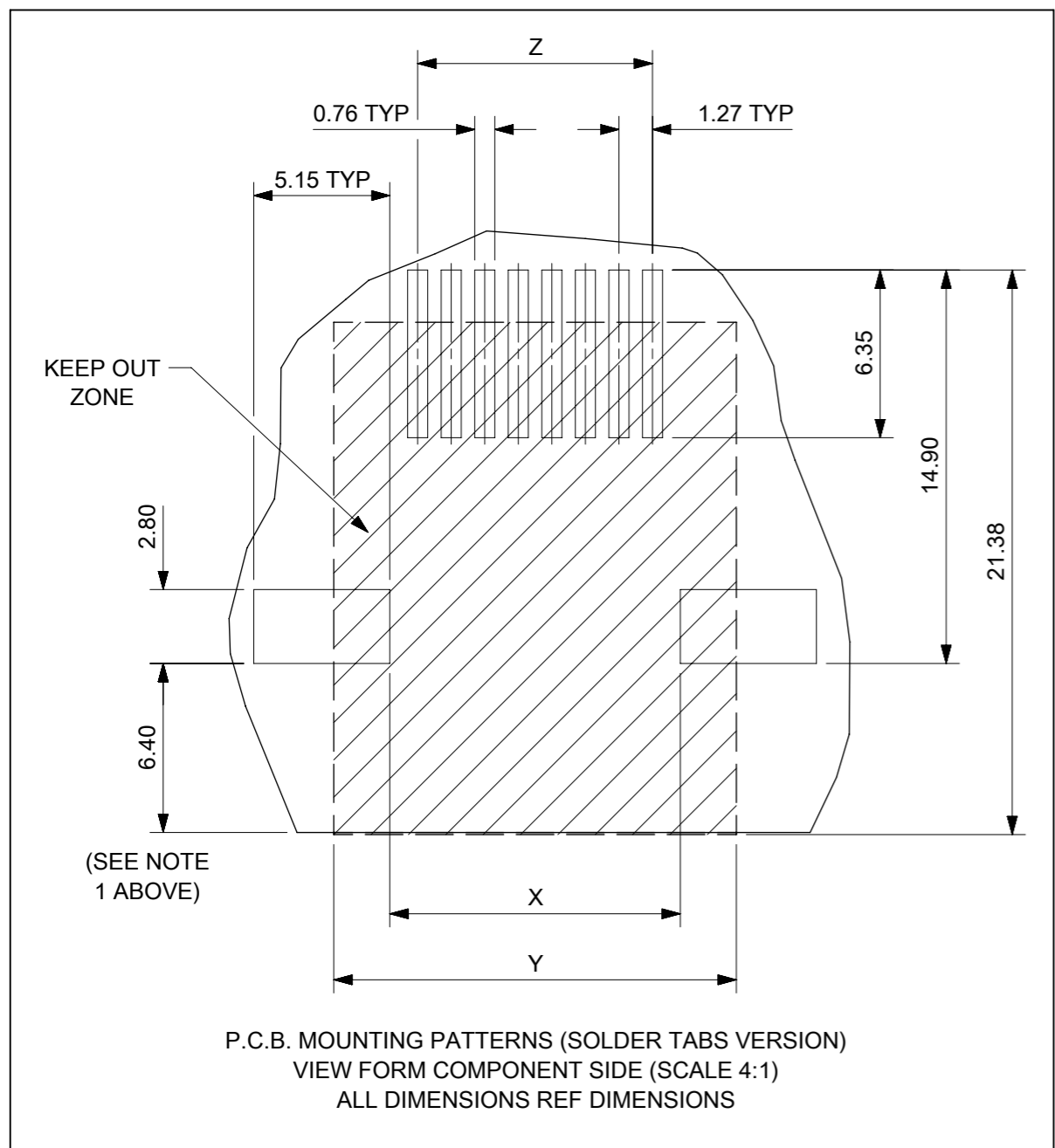
TERMINAL: COPPER ALLOY PLATED WITH:
BASE FINISH: NICKEL
CONTACT SURFACE FINISH:
GOLD
OR
GOLD FLASH OVER PALLADIUM NICKEL.
EXCEEDS PRODUCT REQUIREMENTS BASED ON PS-95501
SOLDER TABS: BRASS PLATED WITH 0.0020 MIN TIN.
2. JACK FOR MATING WITH IEC 60603-7 AND TIA-1096-A PLUGS (MOLEX 90075 SERIES)
3. PRODUCT SPECIFICATION: MOLEX PS-95501
4. POLYIMIDE ADHESIVE TAPE FOR PICK & PLACE SURFACE. THICKNESS: 125µm
5. PACKAGING SPECIFICATION: MOLEX PK-85502. (BLISTER PACKAGING).
6. COPLANARITY OF SIGNAL LEADS: 0.10
7. SEE DIMENSIONS IN CHART ON SHEET 2.
8. MANUFACTURING I.D. MAY BE EITHER MG, MXF, MXI OR MXCH.
9. APPLICATION SPECIFICATION: AS-85513-001

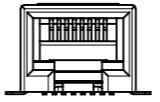
LAST INSPECTION NO.: 13




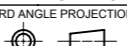
THIS DRAWING CONTAINS INFORMATION THAT IS PROPRIETARY TO MOLEX ELECTRONIC TECHNOLOGIES, LLC AND SHOULD NOT BE USED WITHOUT WRITTEN PERMISSION											
DIMENSION UNITS		SCALE		CURRENT REV DESC: REMASTERED USING 3D MODELS							
mm		5:1									
GENERAL TOLERANCES (UNLESS SPECIFIED)				R/A LOW PROFILE TRUE SMT 4,6 & 8 CONTACTS PC JACK WITH SIDE SOLDER TABS							
ANGULAR TOL ± 2.0°				PRODUCT CUSTOMER DRAWING							
4 PLACES ±				EC NO: 686808				DOCUMENT NUMBER			
3 PLACES ±				DRWN: AKUMAR19 2021/07/30				DOC TYPE DOC PART REVISION			
2 PLACES ± 0.25				CHK'D: KLANG 2022/01/10				SD-85502-101 PSD 001 E2			
1 PLACE ± 0.35				APPR: KLANG 2022/01/10							
0 PLACES ±				INITIAL REVISION:							
DRAFT WHERE APPLICABLE MUST REMAIN WITHIN DIMENSIONS				THIRD ANGLE PROJECTION		DRAWING		SERIES		SHEET NUMBER	
						A3-SIZE		85502		1 OF 2	

- NOTES:
 1. RECOMMENDED DISTANCE FROM THE PCB'S EDGE
 2. PLATING SEE SHEET 1



PART NUMBERS FOR TRUE SMT JACK WITH SOLDER TABS									
	HOUSING COLOR	POS 4	TOOLED	POS 6	TOOLED	POS 6	TOOLED	POS 8	TOOLED
		4 CKTS		4 CKTS		6 CKTS		8 CKTS	
STANDARD VERSION	BLACK	85502-5005	X	85502-5006	X	85502-5007	X	85502-5008	X

DIM \ TYP	POS 4	POS 6		POS 8
	4 CKTS	4 CKTS	6 CKTS	8 CKTS
A ± 0.15	3.81	3.81	6.35	8.89
B	11.18	13.21	13.21	15.24
C (REF)	8.50	8.50	8.50	12.00
D ± 0.35	14.13	16.16	16.16	18.19
X ± 0.10	6.94	8.97	8.97	11.00
Y (REF)	11.18	13.21	13.21	15.24
Z ± 0.05	3.81	3.81	6.35	8.89

THIS DRAWING CONTAINS INFORMATION THAT IS PROPRIETARY TO MOLEX ELECTRONIC TECHNOLOGIES, LLC AND SHOULD NOT BE USED WITHOUT WRITTEN PERMISSION									
DIMENSION UNITS	SCALE	CURRENT REV DESC: REMASTERED USING 3D MODELS							
mm	1:1	 R/A LOW PROFILE TRUE SMT 4,6 & 8 CONTACTS PC JACK WITH SIDE SOLDER TABS PRODUCT CUSTOMER DRAWING							
GENERAL TOLERANCES (UNLESS SPECIFIED)									
ANGULAR TOL	± 2.0 °	EC NO: 686808 DRWN: AKUMAR19 2021/07/30 CHK'D: KLANG APPR: KLANG 2022/01/10							
4 PLACES	±	INITIAL REVISION:							
3 PLACES	±	DRWN: DBYRNES 2006/07/04							
2 PLACES	± 0.25	APPR: EOMAHONY 2006/07/07							
1 PLACE	± 0.35	DOCUMENT NUMBER							
0 PLACES	±	SD-85502-101							
DRAFT WHERE APPLICABLE MUST REMAIN WITHIN DIMENSIONS		THIRD ANGLE PROJECTION	DRAWING	SERIES	MATERIAL NUMBER	CUSTOMER	DOC TYPE	DOC PART	REVISION
			A3-SIZE	85502	SEE TABLE	GENERAL MARKET	PSD	001	E2