



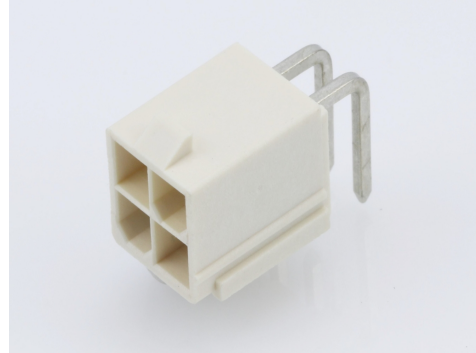
产品编号 : [874270402](#)

Product Description : Mini-Fit Jr. Header, 4.20mm Pitch, Right-Angle, without Flange, 4 Circuits, Tin (Sn) over Nickel (Ni) Plating

系列号 : 87427

状态 : Active

Product Category : PCB Headers and Receptacles



文件和资源

图纸

[图纸 874270402_sd.pdf](#)

[包装设计图 PK-87427-001-001.pdf](#)

3D 模型和设计文件

[3D模型 874270402_stp.zip](#)


规格

[产品规格 PS-45750-001-001.pdf](#)

[产品规格 PS-87427-0001-001.pdf](#)

产物环境合规

合规

GADSL/IMDS	Compliant with Exemption 44; 33
China RoHS	
EU ELV	Not Relevant
Low-Halogen Status	Not Low-Halogen per IEC 61249-2-21
REACH SVHC	Not Contained per D(2023)8585-DC (23 Jan 2024)
EU RoHS	Compliant per EU 2015/863

多部分产品合规性声明

- Eu RoHS
- REACH SVHC
- Low-Halogen

多部分行业合规性文件

- IPC 1752A Class C
- IPC 1752A Class D
- Molex Product Compliance Declaration
- IEC-62474
- chemSHERPA (xml)

欧盟 RoHS 合格证书

产品详情

常规

状态	活动
类别	PCB Headers and Receptacles
系列	87427
说明	Mini-Fit Jr. Header, 4.20mm Pitch, Right-Angle, without Flange, 4 Circuits, Tin (Sn) over Nickel (Ni) Plating
应用	Power, Wire-to-Board
个评论	Current = 13A max. per circuit when header is mated to a receptacle loaded with 45750 Mini-Fit Plus HCS Crimp Terminal Crimped to 16 AWG wire. See Molex product specification PS-45750-001 for additional current derating information.
元件类型	PCB Header
产品系列	Mini-Fit Family Power Connectors
产品名称	Mini-Fit Jr.
UPC	800754779753

机构

CSA	LR19980
UL	E29179

电气

每触点最大电流	13.0A
电压 - 最大	600V

物理

断开	否
回路数（已载入）	4
电路数（最多）	4
颜色-树脂	米黄色
耐用性(插拔次数) - 最多次数	30
先接后断	否
阻燃性	94V-0
符合灼热丝规范	否
锁定插接部位	是
材料 - 金属	Brass
材料 - 接合部位电镀	Tin
材料 - 终端电镀	Tin
材料 - 树脂	Nylon
净重	1.950/g
行数	2
方向	Right Angle
包装形式	Tray
PC 焊脚长度	3.30mm
PCB 定位器	否
PCB 保持力	无
推荐的 PCB 厚度	1.60mm
间距 - 插配接口	4.20mm
间距 - 终端界面	4.20mm
最薄镀层 - 接合部位	2.540µm
最薄镀层 - 端接	2.540µm
有极性的插配件	是
PCB 极性	否
有护墙的	Fully
可堆叠的	否
运行温度范围	-40° to +105° C
终端界面类型	Through Hole

进程

最长持续时间	5
无铅	WAVE

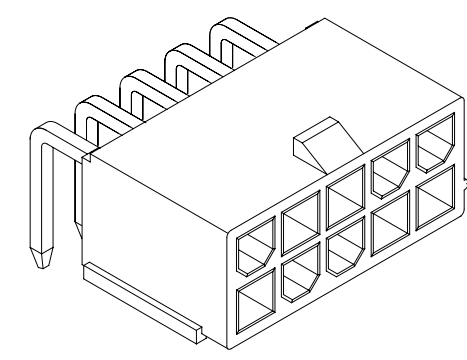
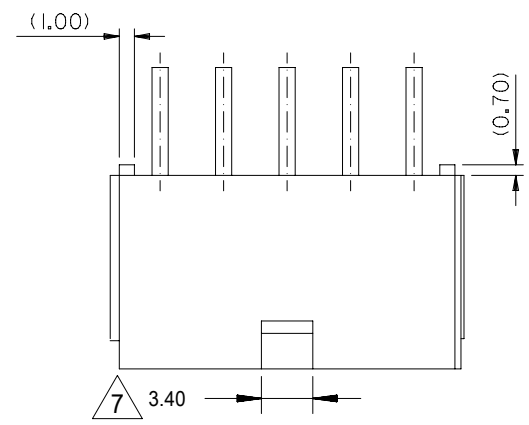
最大周期	1
最高温度	260

可配插/可连接使用的产品

可配插部件

描述	产品编号
Mini-Fit Jr. Receptacle Housings	<u>5557</u>
Mini-Fit Jr.-to-Mini-Fit Jr. Off-the-Shelf (OTS) Overmolded Cable Assemblies	<u>245135</u>
Mini-Fit TPA2 and Mini-Fit Sigma Dual Row Receptacle Housings	<u>172708</u>

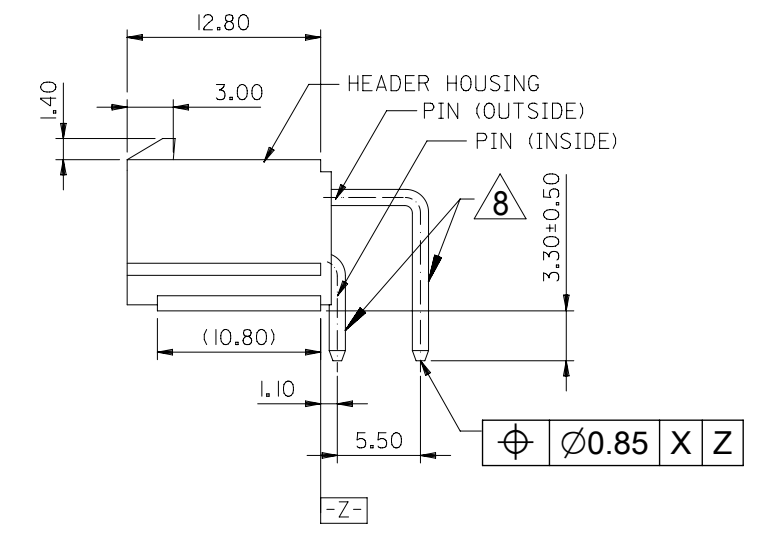
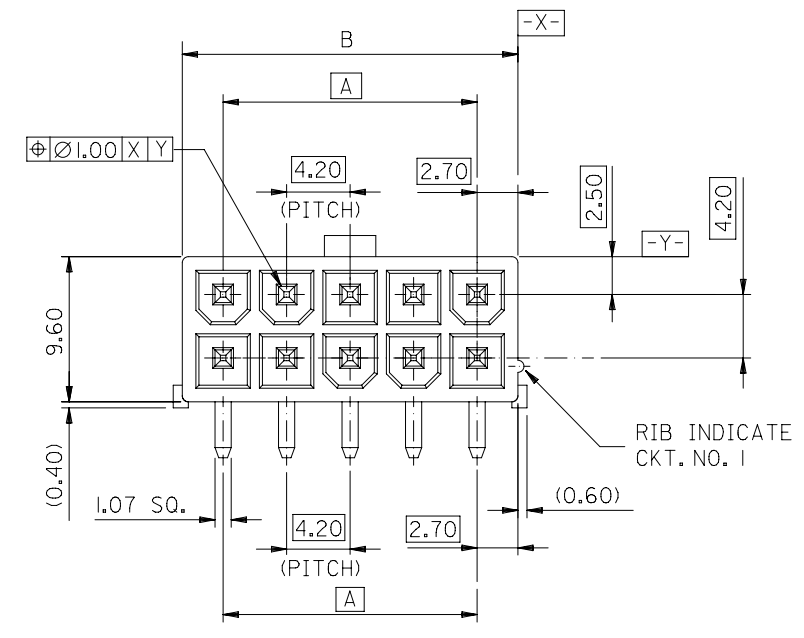
51.60±0.55	46.20	24
47.40±0.55	42.00	22
43.20±0.50	37.80	20
39.00±0.45	33.60	18
34.80±0.35	29.40	16
30.60±0.30	25.20	14
26.40±0.30	21.00	12
22.20±0.30	16.80	10
18.00±0.30	12.60	8
13.80±0.25	8.40	6
9.60±0.25	4.20	4
5.40±0.20	--	2
B	A	CKT. SIZE



ISOMETRIC VIEW

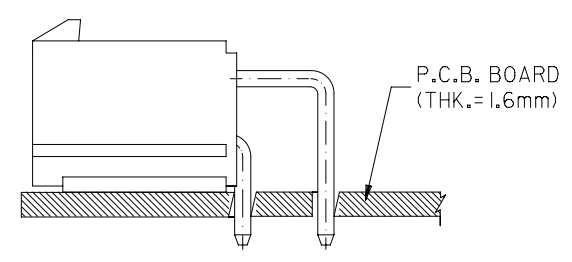
LEGEND

- 87427-****
- CKT. SIZE (SEE SHEET 2).
- PLATING OPTIONS
 2 = NOTE/2.2
 4 = NOTE/2.2
- PACKAGING & COLOR OPTIONS 4
 0 = TRAY PACKED - COLOR BEIGE
 2 = TUBE PACKED - COLOR BEIGE
 3 = TAPE & REEL PACKED - COLOR BEIGE
 7 = TRAY PACKED - COLOR BLACK

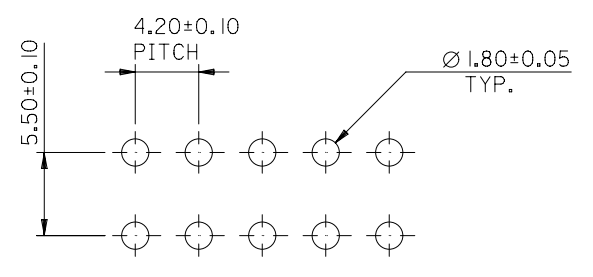


NOTES

- MATERIALS:
 - HEADER: NYLON 46, UL94V-0, COLOR SEE LEGEND.
 - PIN: BRASS
- FINISH- PLATING OF PIN:
 2.2 MATTE TIN .00254 MIN. OVER NICKEL .00127 MIN.
- PRODUCT SPECIFICATION: PS-87427-0001.
- PACKAGING SPECIFICATION:
 TRAY PACK PER PK-87427-001.
 TAPE & REEL PACK PER PK-87427-009.
- MATES WITH: MINI-FIT JR. RECEPTACLE SERIES 5557.
- THESE PARTS CONFORM TO CLASS "B" REQUIREMENTS OF COSMETIC SPECIFICATION PS-45499-002.
- THIS DIMENSION IS 4.2 ON 2 CKT PARTS.
- FORMING MARKS ARE ACCEPTABLE
- DISCOLORATION IN THE BANDOLIER CARRIER AREA OF THE PIN IS INHERENT TO THE PLATING PROCESS AND IS DUE TO THE MASKING EFFECT OF THE CARRIER. THIS DISCOLORATION IS IN A NON-FUNCTIONAL AREA OF THE PIN AND WILL NOT AFFECT THE PERFORMANCE OF THE HEADER ASSEMBLY.
- PARTS ARE NOT DESIGNED FOR CURRENT SHARING.
- CONNECTORS ARE NOT TO BE MATED AND UNMATED WHILE CIRCUITS ARE LIVE.



RECOMMENDED INSTALLATION PATTERN

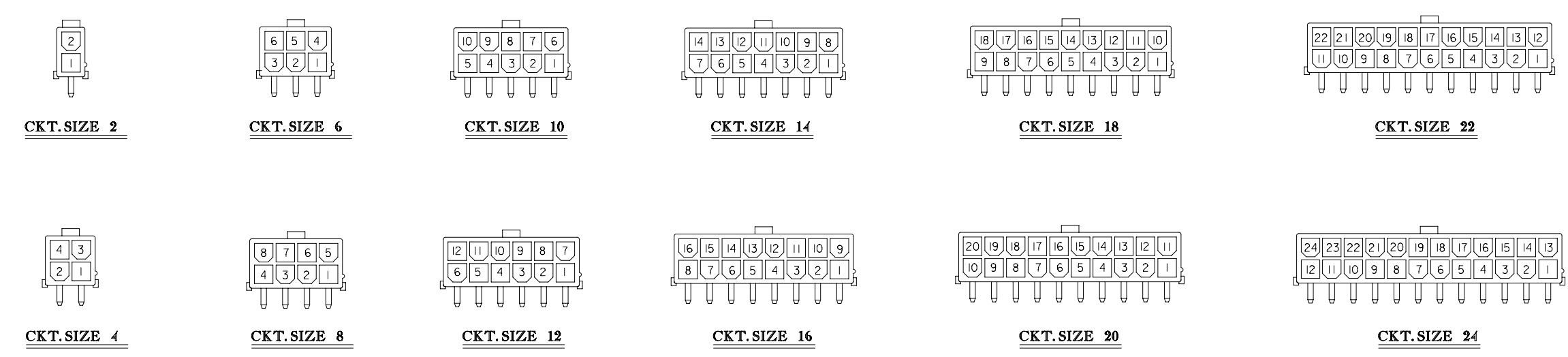


RECOMMENDED P.C.B. LAYOUT

THIS DRAWING CONTAINS INFORMATION THAT IS PROPRIETARY TO MOLEX ELECTRONIC TECHNOLOGIES, LLC AND SHOULD NOT BE USED WITHOUT WRITTEN PERMISSION									
SYMBOLS		DIMENSION UNITS		SCALE		CURRENT REV DESC: ADDED T&R P/N'S			
▽ = 0		MM ONLY		2:1		molex 4.2MM W-T-B, RIGHT ANGLE HEADER WITHOUT MOUNTING FLANGES			
▽ = 0		GENERAL TOLERANCES (UNLESS SPECIFIED)							
▽ = 0						EC NO: 643503 DRWN: EHAUGERUD 2020/08/17 CHK'D: DSTEIER 2020/08/26 APPR: FSMITH 2020/08/27			
S = 0		4 PLACES ±		±		INITIAL REVISION: DRWN: STEVEN 1995/02/27 APPR: FSMITH 2010/04/09			
▽ = 0		3 PLACES ±		±					
▽ = 0		2 PLACES ±		0.2 ±		PRODUCT CUSTOMER DRAWING DOCUMENT NUMBER: 874270000-SD DOC TYPE: PSD DOC PART: 000 REVISION: A1			
▽ = 0		1 PLACE ±		0.2 ±					
X = 0		0 PLACES ±		±		MATERIAL NUMBER: SEE CHART CUSTOMER: GENERAL MARKET SHEET NUMBER: 1 OF 2			
■ = 0		ANGULAR TOL ±		3.0 °					
▽ = 0		DRAFT WHERE APPLICABLE MUST REMAIN WITHIN DIMENSIONS		THIRD ANGLE PROJECTION		DRAWING: C-SIZE		SERIES: 87427	

H
G
F
E
D
C
B
A

H
G
F
E
D
C
B
A



ASSIGNMENT OF PART NUMBER DOES NOT INDICATE PART AVAILABILITY. CONSULT FACTORY FOR AVAILABILITY.

PLATING	MATTE TIN OVER NICKEL			CKT. SIZE
COLOR	BEIGE	BLACK	BEIGE	
PACKAGING	T&R PACKED	TRAY PACKED	TRAY PACKED	CKT. SIZE
	87427-2434	87427-2472	87427-2402	24
	87427-2234	87427-2272	87427-2202	22
	87427-2034	87427-2072	87427-2002	20
	87427-1834	87427-1872	87427-1802	18
	87427-1634	87427-1672	87427-1602	16
	87427-1434	87427-1472	87427-1402	14
	87427-1234	87427-1272	87427-1202	12
	87427-1034	87427-1072	87427-1002	10
	87427-0834	87427-0872	87427-0802	8
	87427-0634	87427-0672	87427-0602	6
	87427-0434	87427-0472	87427-0402	4
	87427-0234	87427-0272	87427-0202	2

SYMBOLS = 0 = 0 = 0 = 0 = 0 = 0 = 0 = 0 = 0	THIS DRAWING CONTAINS INFORMATION THAT IS PROPRIETARY TO MOLEX ELECTRONIC TECHNOLOGIES, LLC AND SHOULD NOT BE USED WITHOUT WRITTEN PERMISSION DIMENSION UNITS: MM ONLY SCALE: 1:1		CURRENT REV DESC: ADDED T&R P/N'S		 4.2MM W-T-B, RIGHT ANGLE HEADER WITHOUT MOUNTING FLANGES PRODUCT CUSTOMER DRAWING	
	GENERAL TOLERANCES (UNLESS SPECIFIED)		EC NO: 643503 DRWN: EHAUGERUD 2020/08/17 CHK'D: DSTEIER 2020/08/26 APPR: FSMITH 2020/08/27			DOCUMENT NUMBER: 874270000-SD DOC TYPE: PSD DOC PART: 000 REVISION: A1
	4 PLACES ± ± 3 PLACES ± ± 2 PLACES ± 0.2 ± 1 PLACE ± 0.2 ± 0 PLACES ± ±		INITIAL REVISION: DRWN: STEVEN 1995/02/27 APPR: FSMITH 2010/04/09			MATERIAL NUMBER: SEE CHART CUSTOMER: GENERAL MARKET SHEET NUMBER: 2 OF 2
	ANGULAR TOL ± 3.0 ° DRAFT WHERE APPLICABLE MUST REMAIN WITHIN DIMENSIONS		THIRD ANGLE PROJECTION	DRAWING: C-SIZE SERIES: 87427		

FORMS: Engineering Center © 2010
REVISED: 01
DATE: 2011/05/05