



产品编号 : 874380643

Product Description : 1.50mm Pitch, Pico-SPOX PCB Header, Single Row, Right-Angle, Surface Mount, Tin over Nickel Plating, Friction Lock, 6 Circuits, Tape and Reel, Beige

系列号 : 87438

状态 : Active

Product Category : PCB Headers and Receptacles

文件和资源

图纸

图纸 874380643_sd.pdf

3D 模型和设计文件

2D 图纸 DXF 874380643.dxf

2D 图纸 DXF PDF 874380643.pdf

3D模型 874380643_stp.zip

规格

应用规格 874370000-AS-000.pdf


包装规格 SPK-87438-001-001.pdf

产品规格 874371001-PS-001.pdf

产品规格 PS-87437-001-001.pdf

产物环境合规

合规

| | |
|--------------------|---|
| GADSL/IMDS | Compliant with Exemption 44; 33 |
| China RoHS |  |
| EU ELV | Not Relevant |
| Low-Halogen Status | Not Low-Halogen per IEC 61249-2-21 |
| REACH SVHC | Not Contained per D(2023)8585-DC (23 Jan 2024) |
| EU RoHS | Compliant per EU 2015/863 |

多部分产品合规性声明

- Eu RoHS
- REACH SVHC
- Low-Halogen

- IPC 1752A Class C
- IPC 1752A Class D
- Molex Product Compliance Declaration
- IEC-62474
- chemSHERPA (xml)

欧盟 RoHS 合格证书

产品详情

常规

| | |
|------|--|
| 状态 | 活动 |
| 类别 | PCB Headers and Receptacles |
| 系列 | 87438 |
| 说明 | 1.50mm Pitch, Pico-SPOX PCB Header, Single Row, Right-Angle, Surface Mount, Tin over Nickel Plating, Friction Lock, 6 Circuits, Tape and Reel, Beige |
| 应用 | Signal, Wire-to-Board |
| 元件类型 | PCB Header |
| 产品系列 | Pico-SPOX Wire-to-Board Connector System |
| 产品名称 | Pico-SPOX |
| UPC | 822348438952 |

机构

| | |
|-----|---------|
| CSA | LR19980 |
| UL | E29179 |

电气

| | |
|---------|------|
| 每触点最大电流 | 2.5A |
| 电压 - 最大 | 250V |

物理

| | |
|-----------|-----|
| 断开 | 否 |
| 回路数 (已载入) | 6 |
| 电路数 (最多) | 6 |
| 颜色-树脂 | 米黄色 |

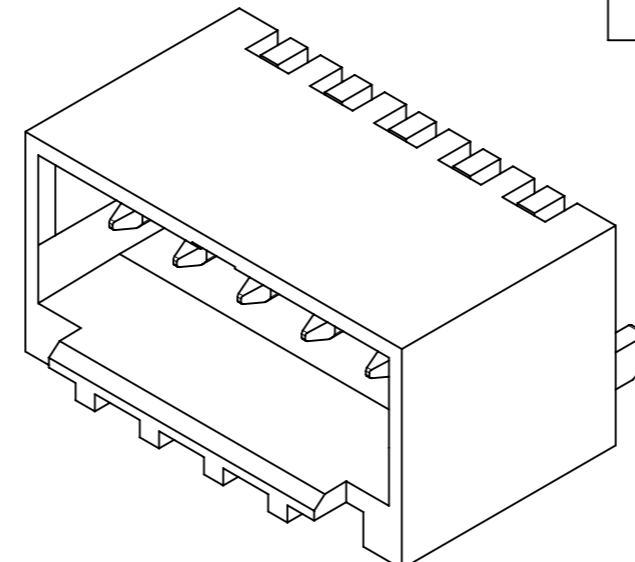
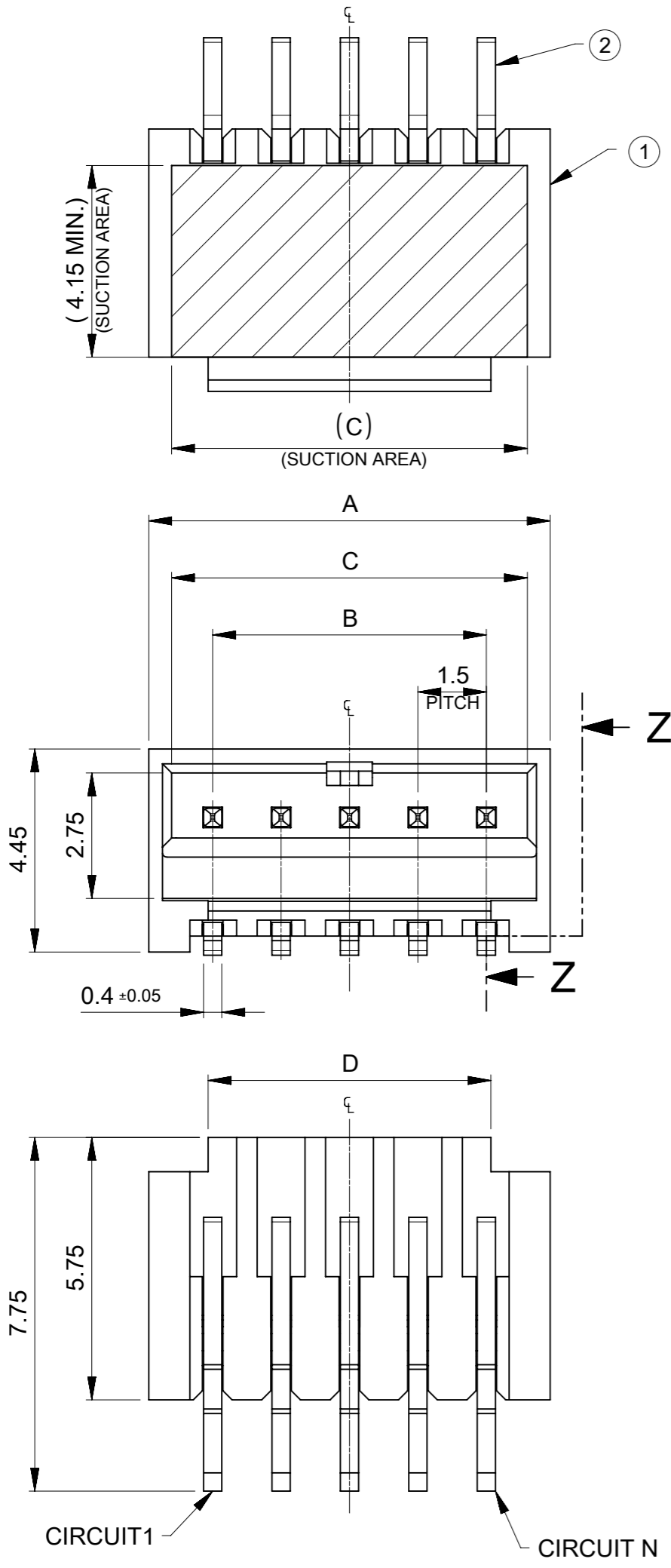
| | |
|------------------|--------------------------------|
| 耐用性(插拔次数) - 最多次数 | 10 |
| 先接后断 | 否 |
| 阻燃性 | 94V-0 |
| 符合灼热丝规范 | 否 |
| 可配插产品指南 | 否 |
| 插接极性 | 是 |
| 锁定插接部位 | 是 |
| 材料 - 金属 | Brass |
| 材料 - 接合部位电镀 | Tin |
| 材料 - 终端电镀 | Tin |
| 材料 - 树脂 | High Temperature Thermoplastic |
| 净重 | 314.000/mg |
| 行数 | 1 |
| 方向 | Right Angle |
| 包装形式 | Embossed Tape on Reel |
| PCB 定位器 | 否 |
| PCB 保持力 | 无 |
| 间距 - 插配接口 | 1.50mm |
| 最薄镀层 - 接合部位 | 2.540µm |
| 最薄镀层 - 端接 | 2.540µm |
| 有极性的插配件 | 是 |
| PCB 极性 | 否 |
| 有护墙的 | Fully |
| 可堆叠的 | 否 |
| 运行温度范围 | -55° to +105° C |
| 终端界面类型 | Surface Mount |

可配插/可连接使用的产品

可配插部件

| 描述 | 产品编号 |
|--|--------------|
| Pico-SPOX Single Row Receptacle Housings | <u>87439</u> |

This document was generated on Jun 03, 2024



注記

NOTE

- ①. 材質および仕上げ(めっき仕様) : TABLE1 参照
MATERIAL AND FINISH: SEE TABLE 1
- ②. 製品仕様書 : PS-87437-001
PRODUCT SPECIFICATION : PS-87437-001
- ③. 製品取扱説明書 : 874370000-AS
APPLICATION SPECIFICATION : 874370000-AS
- ④. テール平坦度 : 0.1以下
TAIL COPLANARITY TO BE 0.1 MAX.
- ⑤. 嵌合相手 : 87439シリーズ (リセプタクルハウジング), 87421シリーズ (圧着端子)
MATE WITH 87439 SERIES (RECEPTACLE HOUSING)
AND 87421 SERIES (CRIMP TERMINAL).
- ⑥. 本製品は錫めっき品である。金めっき品は202706シリーズを参照。
THIS PRODUCT IS TIN PLATING.
FOR GOLD PLATING, REFER TO 202706 SERIES.

TABLE1

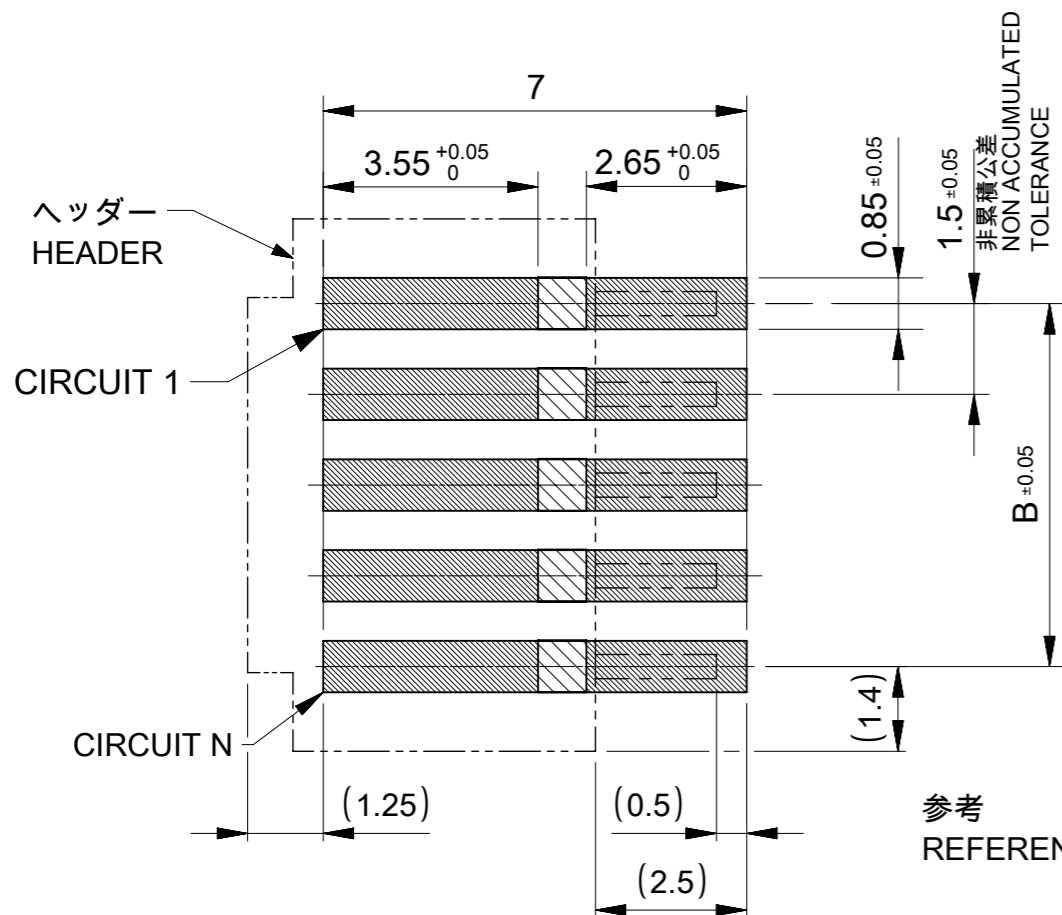
| 番号 No. | 部品 PART | 材質 MATERIAL | |
|-----------|-------------------|---|--|
| ① | ハウジング HOUSING | ナイロン, UL94-V0, 色 : 自然色(ベージュ) / 黒 NYLON (PA), UL94-V0, COLOR : NATURAL(BEIGE) / BLACK | |
| ② | ターミナル TERMINAL | 材料 MATERIAL | 黄銅 BRASS |
| | | 下地めっき UNDER PLATING | ニッケルめっき 1.27マイクロメートル以上 NICKEL PLATING 1.27micro-meter MIN |
| | | 接点部、テール CONTACT AND TAIL | 無光沢錫めっき 2.54マイクロメートル以上 MATTE TIN PLATING 2.54 micro-meter MIN |

| | | | | | |
|------|------|------|------|----------------------|--------------------|
| 21.2 | 22.8 | 21.0 | 23.8 | 87438-15*1 | 15 |
| 19.7 | 21.3 | 19.5 | 22.3 | 87438-14*1 | 14 |
| 18.2 | 19.8 | 18.0 | 20.8 | 87438-13*1 | 13 |
| 16.7 | 18.3 | 16.5 | 19.3 | 87438-12*1 | 12 |
| 15.2 | 16.8 | 15.0 | 17.8 | 87438-11*1 | 11 |
| 13.7 | 15.3 | 13.5 | 16.3 | 87438-10*1 | 10 |
| 12.2 | 13.8 | 12.0 | 14.8 | 87438-09*1 | 9 |
| 10.7 | 12.3 | 10.5 | 13.3 | 87438-08*1 | 8 |
| 9.2 | 10.8 | 9.0 | 11.8 | 87438-07*1 | 7 |
| 7.7 | 9.3 | 7.5 | 10.3 | 87438-06*1 | 6 |
| 6.2 | 7.8 | 6.0 | 8.8 | 87438-05*1 | 5 |
| 4.7 | 6.3 | 4.5 | 7.3 | 87438-04*1 | 4 |
| 3.2 | 4.8 | 3.0 | 5.8 | 87438-03*1 | 3 |
| 1.7 | 3.3 | 1.5 | 4.3 | 87438-02*1 | 2 |
| D | C | B | A | ヘッダー番号 HEADER NO. | 極数 CIRCUIT SIZE |

THIS DRAWING CONTAINS INFORMATION THAT IS PROPRIETARY TO MOLEX ELECTRONIC TECHNOLOGIES, LLC AND SHOULD NOT BE USED WITHOUT WRITTEN PERMISSION

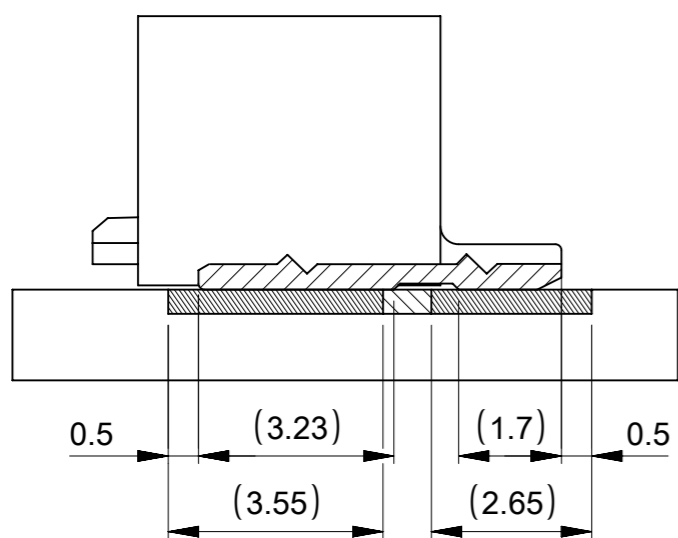
| | | | | | |
|--|--------------|---------------------------|-------------|--------------------------|--------------|
| DIMENSION UNITS mm | SCALE NTS | CURRENT REV DESC: REVISED | | molex | |
| GENERAL TOLERANCES (UNLESS SPECIFIED) | | EC NO: 699885 | | | |
| ANGULAR TOL | ± 3.0° | 4 PLACES | ± 0.2 | DRWN: RTANAKA02 | 2022/03/14 |
| 3 PLACES | ± 0.2 | CH'D: SAKIYAMA | 2022/09/30 | PRODUCT CUSTOMER DRAWING | |
| 2 PLACES | ± 0.2 | APPR: AIDA | 2022/09/30 | DOCUMENT NUMBER | |
| 1 PLACE | ± 0.2 | INITIAL REVISION: | | DOC TYPE | |
| 0 PLACES | ± 0.2 | DRWN: RTANAKA02 | 2018/12/06 | DOC PART | |
| DRAFT WHERE APPLICABLE MUST REMAIN WITHIN DIMENSIONS | | APPR: SAKIYAMA | 2019/04/26 | REVISION | |
| THIRD ANGLE PROJECTION | | DRAWING | SERIES | MATERIAL NUMBER | CUSTOMER |
| A3-SIZE | | 87438 | SEE SHEET 3 | GENERAL | SHEET NUMBER |
| 1 OF 3 | | | | | |

推奨基板レイアウト RECOMMENDED PCB LAYOUT



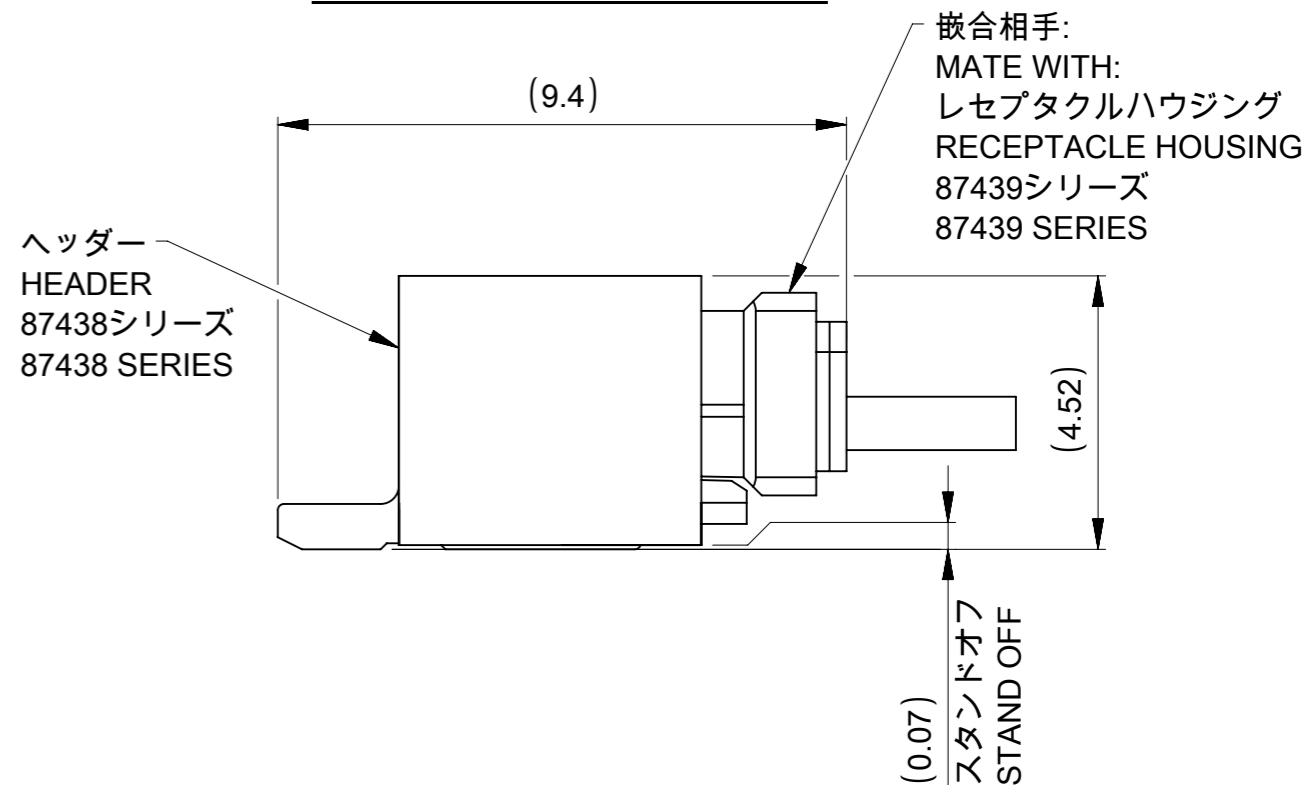
参考 : 基板厚 1.0mm
 REFERENCE : PCB THICKNESS 1.0mm
 メタルマスク厚 0.12mm
 STENCIL THICKNESS 0.12mm
 マスク開口率100%
 APERTURE RATIO 100%.

- : 半田エリア (パターンエリア)
SOLDER AREA (COPPER ZONE)
- : 半田禁止エリア (パターン禁止エリア)
SOLDER KEEP OUT AREA (NO-COPPER ZONE)
半田上がりを防ぐため。
TO PREVENT SOLDER LIFTING.
レジストによって分離する場合は、パターン面よりも盛り上がらないこと。
IF APPLY RESIST IN THIS AREA, LEVEL AS PATTERN AREA FACE.



SECTION Z-Z

5 嵌合図 MATED CONNECTORS



嵌合相手:
 MATE WITH:
 レセプタクルハウジング
 RECEPTACLE HOUSING
 87439シリーズ
 87439 SERIES

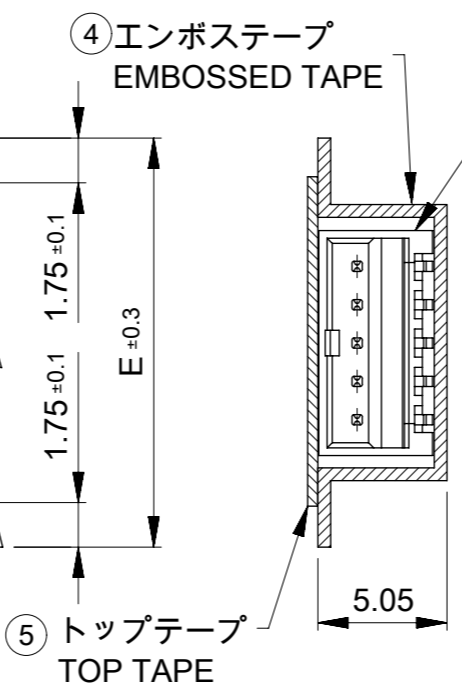
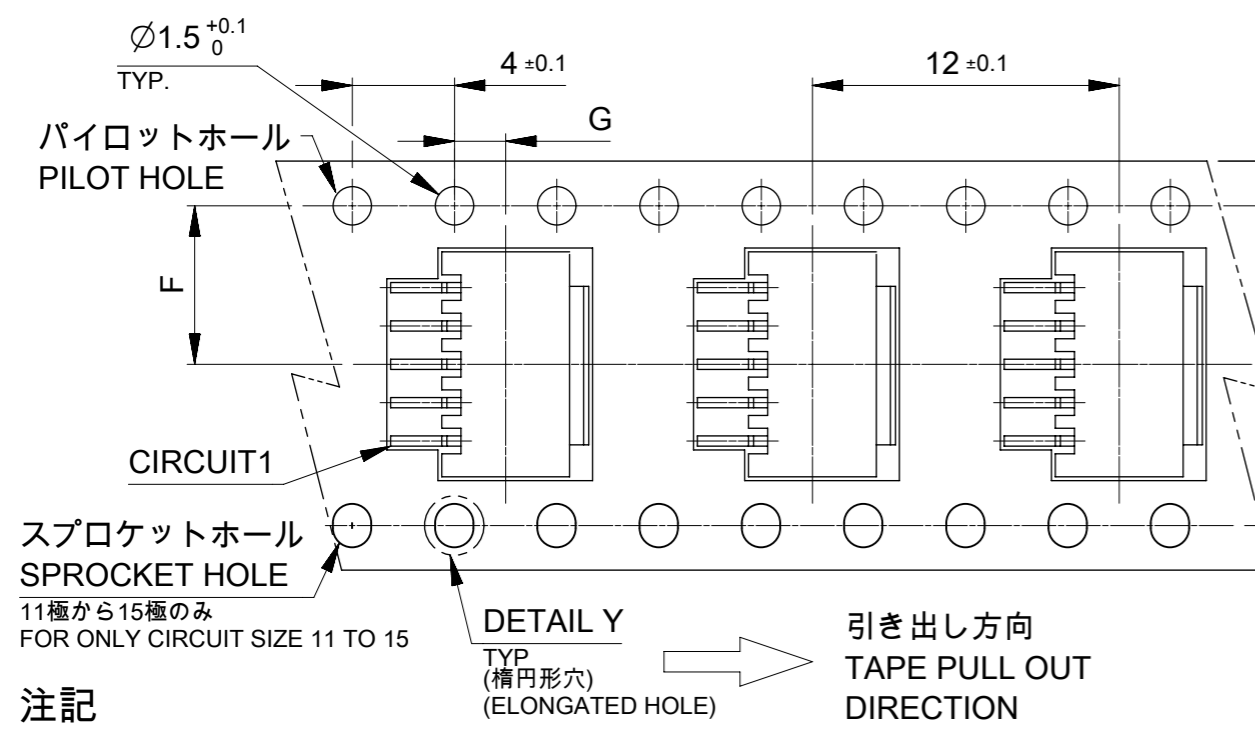
ヘッダー
 HEADER
 87438シリーズ
 87438 SERIES

(0.07)
 スタンドオフ
 STAND OFF

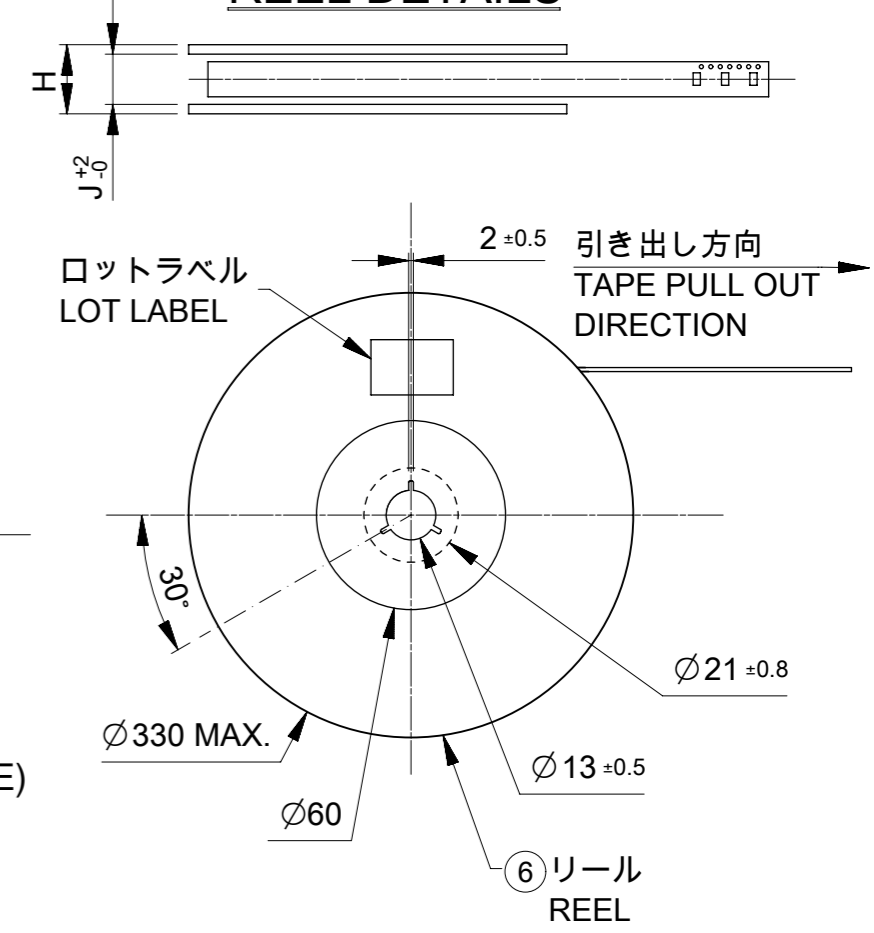
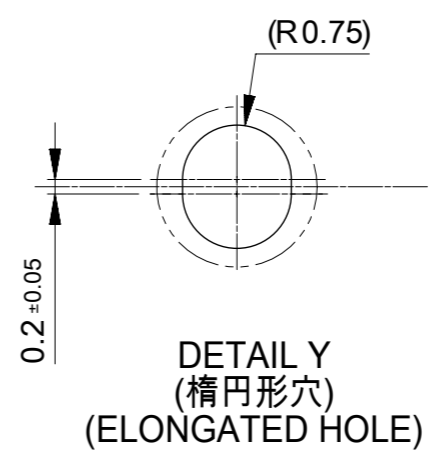
| | | | | | | | | | | | |
|---|--|-------|--|---------------------------|--|------------|--|-------------------|--|--|--|
| THIS DRAWING CONTAINS INFORMATION THAT IS PROPRIETARY TO MOLEX ELECTRONIC TECHNOLOGIES, LLC AND SHOULD NOT BE USED WITHOUT WRITTEN PERMISSION | | | | | | | | | | | |
| DIMENSION UNITS | | SCALE | | CURRENT REV DESC: REVISED | | | | molex | | PICO-SPOX 1.5 W/B CONN R/A HEADER ASSY (SMT TIN PLATING VERSION) | |
| mm | | NTS | | | | | | | | | |
| GENERAL TOLERANCES (UNLESS SPECIFIED) | | | | | | | | | | PRODUCT CUSTOMER DRAWING | |
| ANGULAR TOL ± 3.0° | | | | | | | | | | | |
| 4 PLACES | | ± 0.2 | | EC NO: 699885 | | 2022/03/14 | | DOCUMENT NUMBER | | DOC TYPE DOC PART REVISION | |
| 3 PLACES | | ± 0.2 | | DRWN: RTANAKA02 | | 2022/09/30 | | | | | |
| 2 PLACES | | ± 0.2 | | CHK'D: SAKIYAMA | | 2022/09/30 | | 874380231-SD | | PSD 000 C | |
| 1 PLACE | | ± 0.2 | | APPR: AIDA | | 2022/09/30 | | INITIAL REVISION: | | | |
| 0 PLACES | | ± 0.2 | | DRWN: RTANAKA02 | | 2018/12/06 | | MATERIAL NUMBER | | CUSTOMER | |
| | | | | APPR: SAKIYAMA | | 2019/04/26 | | SEE SHEET 3 | | GENERAL | |
| DRAFT WHERE APPLICABLE MUST REMAIN WITHIN DIMENSIONS | | | | THIRD ANGLE PROJECTION | | DRAWING | | SERIES | | SHEET NUMBER | |
| | | | | | | A3-SIZE | | 87438 | | 2 OF 3 | |

エンボス梱包 詳細 EMBOSSED CARRIER TAPE PACKING DETAILS

リール 詳細 REEL DETAILS

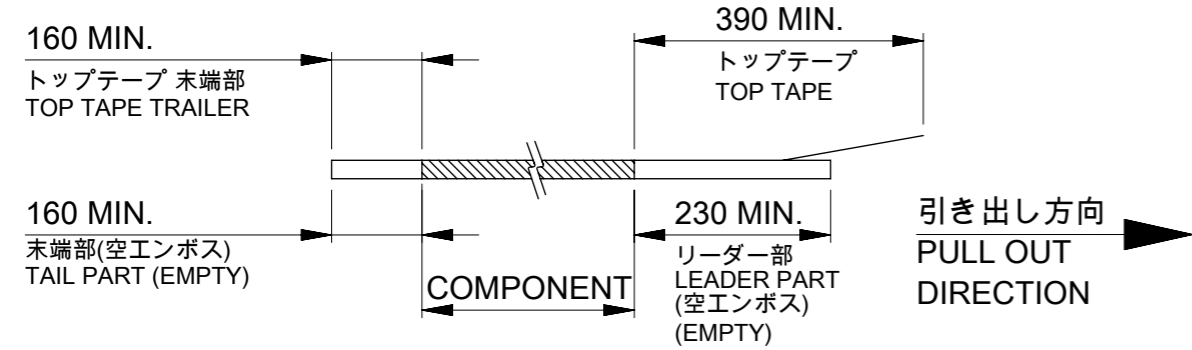


ヘッダー番号
HEADER NO.
87438-**41 (BEIGE)
87438-**61 (BLACK)

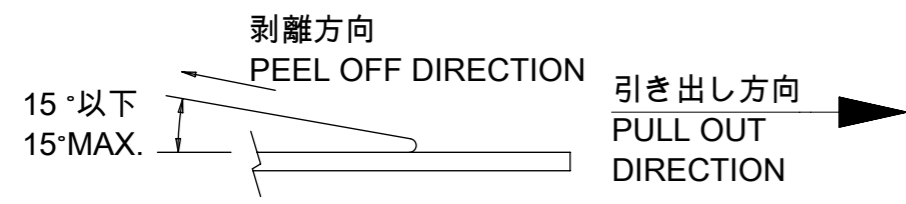


注記
NOTE

7. リーダー部および末端部テープ長さ
LEADER AND TRAILER TAPE LENGTH



8. トップテープの剥離強度: IEC60286-3に準拠。
PEELING OFF FORCE OF THE TOP TAPE: DEFINED IEC60286-3.
(剥離方向は下図を参照)
(PEELING DIRECTION AS SHOWN IN FOLLOWING FIGURE)



9. EIA-481に準拠する。
PACKAGING STANDARD IS AS PER EIA-481.

10. 梱包数量=1000個/リール
TAPE & REEL QUANTITY=1000PCS/REEL

11. 本製品は乾燥剤入りハイバリア梱包での納品となる。
THIS PRODUCT IS DELIVERED IN A HIGH BARRIER PACKAGE
WITH DESICCANT.

12. 梱包仕様書: SPK-87438-001
PACKING INFORMATION: SPK-87438-001

発注番号
ORDER NUMBER
87438- * * * 3

| | |
|----------------------|---------------------------|
| 極数 CIRCUIT SIZE | ハウジングカラー HOUSING COLOR |
| 02 から 15 02 TO 15 | 4: ベージュ BEIGE |
| | 6: 黒 BLACK |

| | | | | | |
|------|-------|--------|-----------|----|--------------------|
| 44.4 | 50.4 | 2±0.15 | 20.2±0.15 | 44 | 15 |
| 32.4 | 38.4 | 2±0.1 | 14.2±0.1 | 32 | 14 |
| 24.4 | 30.4 | | 11.5±0.1 | 24 | 13 |
| 16.4 | 22.4 | | 7.5±0.1 | 16 | 12 |
| J | H MAX | G | F | E | 極数 CIRCUIT SIZE |

| | | | | | |
|-----------|--------------------------|-----------------------------|---|--------------|--|
| 番号 NO. | 部品 PART | 材質 MATERIAL | THIS DRAWING CONTAINS INFORMATION THAT IS PROPRIETARY TO MOLEX ELECTRONIC TECHNOLOGIES, LLC AND SHOULD NOT BE USED WITHOUT WRITTEN PERMISSION | | |
| | | | DIMENSION UNITS mm | SCALE NTS | |
| ④ | エンボステープ EMBOSSED TAPE | ポリスチレン POLYSTYRENE (PS) | CURRENT REV DESC: REVISED | | |
| ⑤ | トップテープ TOP TAPE | ポリエチレン POLYETHYLENE (PE) | GENERAL TOLERANCES (UNLESS SPECIFIED) | | |
| ⑥ | リール REEL | ポリスチレン POLYSTYRENE (PS) | ANGULAR TOL ± 3.0° | | |
| | | | 4 PLACES ± 0.2 | | |
| | | | 3 PLACES ± 0.2 | | |
| | | | 2 PLACES ± 0.2 | | |
| | | | 1 PLACE ± 0.2 | | |
| | | | 0 PLACES ± 0.2 | | |
| | | | DRAFT WHERE APPLICABLE MUST REMAIN WITHIN DIMENSIONS | | |
| | | | THIRD ANGLE PROJECTION | | |
| | | | DRAWING A3-SIZE | | |
| | | | SERIES 87438 | | |
| | | | MATERIAL NUMBER SEE SHEET 3 | | |
| | | | CUSTOMER GENERAL | | |
| | | | SHEET NUMBER 3 OF 3 | | |
| | | | EC NO: 699885 | | |
| | | | DRWN: RTANAKA02 2022/03/14 | | |
| | | | CHK'D: SAKIYAMA 2022/09/30 | | |
| | | | APPR: AIDA 2022/09/30 | | |
| | | | INITIAL REVISION: | | |
| | | | DRWN: RTANAKA02 2018/12/06 | | |
| | | | APPR: SAKIYAMA 2019/04/26 | | |
| | | | DOCUMENT NUMBER 874380231-SD | | |
| | | | DOC TYPE PSD | | |
| | | | DOC PART 000 | | |
| | | | REVISION C | | |