



产品编号 : [875691034](#)

Product Description : 2.00mm Strain Relief for Dual Row IDT, 34 Circuits

系列号 : 87569

状态 : Active

Product Category : Connector Accessories



文件和资源

图纸

[图纸 875691034_sd.pdf](#)

[包装设计图 875690001-PK-000.pdf](#)

3D 模型和设计文件

[3D模型 875691034_stp.zip](#)


规格

[应用规格 503940002-AS-000.pdf](#)

[产品规格 PS-87568-004-001.pdf](#)

产物环境合规

合规

GADSL/IMDS	Not Relevant
China RoHS	
EU ELV	Not Relevant
Low-Halogen Status	Not Low-Halogen per IEC 61249-2-21
REACH SVHC	Not Contained per D(2023)3788-DC (14 Jun 2023)
EU RoHS	Compliant per EU 2015/863

多部分产品合规性声明

- Eu RoHS
- REACH SVHC
- Low-Halogen

多部分行业合规性文件

- IPC 1752A Class C

- IPC 1752A Class D
- Molex Product Compliance Declaration
- IEC-62474
- chemSHERPA (xml)

欧盟 RoHS 合格证书

产品详情

常规

状态	活动
类别	Connector Accessories
系列	87569
说明	2.00mm Strain Relief for Dual Row IDT, 34 Circuits
元件类型	Strain Relief
产品系列	Milli-Grid Connector System
产品名称	Milli-Grid
UPC	800754798549

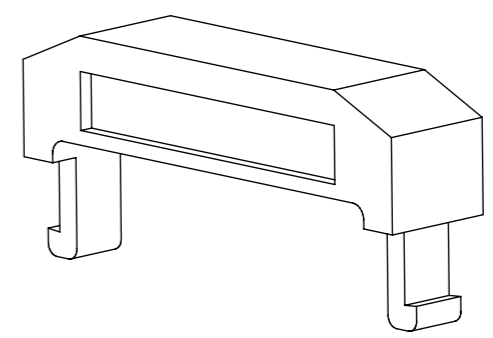
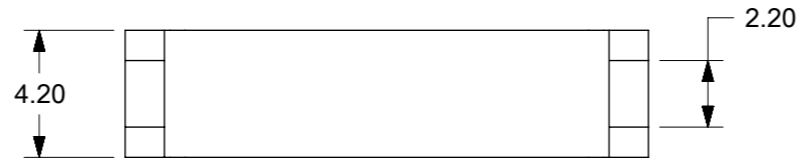
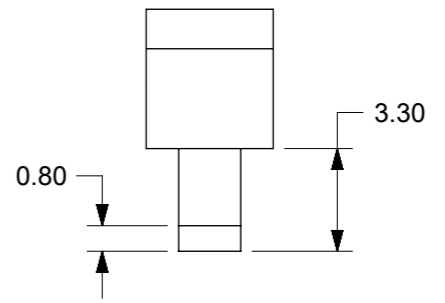
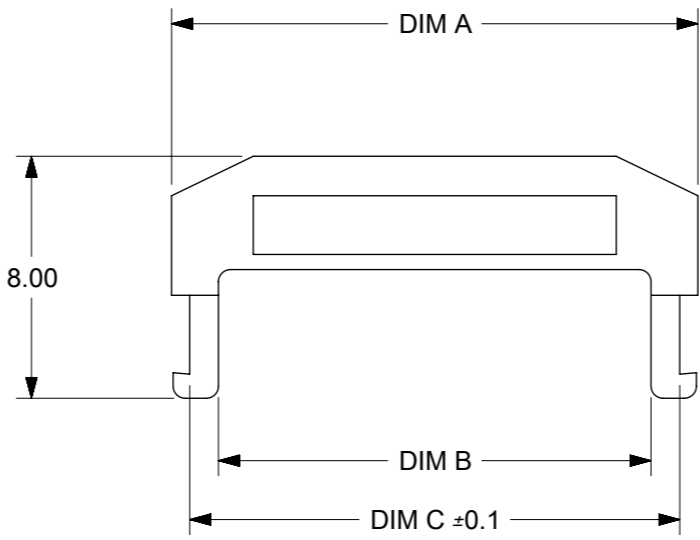
物理

回路数（已载入）	34
电路数（最多）	34
颜色-树脂	黑色
性别	不适用
材料 - 树脂	High Temperature Thermoplastic
净重	0.922/g
行数	2
包装形式	Bag

可连接使用部件

描述	产品编号
可装的端子等部件	PCB Receptacle

ENGINEERING NUMBER	CKT SIZE	A	B	C
87569-1010	10	15.40	12.20	14.25
87569-1012	12	17.40	14.20	16.25
87569-1014	14	19.40	16.20	18.25
87569-1016	16	21.40	18.20	20.25
87569-1020	20	25.40	22.20	24.25
87569-1022	22	27.40	24.20	26.25
87569-1024	24	29.40	26.20	28.25
87569-1026	26	31.40	28.20	30.25
87569-1030	30	35.40	32.20	34.25
87569-1032	32	37.40	34.20	36.25
87569-1034	34	39.40	36.20	38.25
87569-1040	40	45.40	42.20	44.25
87569-1044	44	49.40	46.20	48.25
87569-1050	50	55.40	52.20	54.25



87569 - 1 0 * *
 CKT SIZE

NOTES:
 1. MATERIAL: THERMOPLASTIC, UL94V-0 BLACK
 2. FOR ILLUSTRATION PURPOSES A 12 CIRCUIT SIZE PART IS SHOWN.
 3. FOR ALL OTHER CIRCUIT SIZES CONTACT FACTORY.

QUALITY SYMBOLS 	THIS DRAWING CONTAINS INFORMATION THAT IS PROPRIETARY TO MOLEX ELECTRONIC TECHNOLOGIES, LLC AND SHOULD NOT BE USED WITHOUT WRITTEN PERMISSION												
	MIGRATED TO ECTR EC NO: 170269 DRWN: VNANDAM CHK'D: CD REV APPR: GGA	2017/12/12		2018/02/12		2018/02/13		GENERAL TOLERANCES (UNLESS SPECIFIED)		DIMENSION UNITS		SCALE	
		MM		INCH		MM		INCH		MM		NTS	
		4 PLACES ±		±		4 PLACES ±		±		DRWN BY		DATE	
		3 PLACES ±		±		3 PLACES ±		±		MSAKTHI		1999/02/25	
		2 PLACES ±		0.2		2 PLACES ±		0.2		CHK'D BY		DATE	
1 PLACES ±		±		1 PLACES ±		±		JSGOH		1999/07/19			
0 PLACES ±		±		0 PLACES ±		±		APPR BY		DATE			
								MLONG		2009/11/13			
								ANGULAR TOL = 3.0		DRAWING SIZE		THIRD ANGLE PROJECTION	
								DRAFT WHERE APPLICABLE MUST REMAIN WITHIN DIMENSIONS		A3			
												MGRID, 2MM DUAL ROW IDT	
												PRODUCT CUSTOMER DRAWING	
												SERIES: 87569 MATERIAL NUMBER: SEE TABLE CUSTOMER: GENERAL MARKET	
												DOCUMENT NUMBER: SD-87569-008 DOC TYPE: PSD DOC PART: 001 SHEET NUMBER: 1 OF 1	