



产品编号 : [875691040](#)

Product Description : 2.00mm Strain Relief for Dual Row IDT, 40 Circuits

系列号 : 87569

状态 : Active

Product Category : Connector Accessories



---

## 文件和资源

### 图纸

[图纸 875691040\\_sd.pdf](#)

[包装设计图 875690001-PK-000.pdf](#)

### 3D 模型和设计文件

[3D模型 875691040\\_stp.zip](#)

### 规格


[应用规格 503940002-AS-000.pdf](#)

[产品规格 PS-87568-004-001.pdf](#)

---

## 产物环境合规

### 合规

|                    |   |
|--------------------|---|
| GADSL/IMDS         | Not Relevant  |
| China RoHS         |  |
| EU ELV             | Not Relevant  |
| Low-Halogen Status | Not Low-Halogen per IEC 61249-2-21  |
| REACH SVHC         | Not Contained per D(2023)3788-DC (14 Jun 2023)  |
| EU RoHS            | Compliant per EU 2015/863   |

### 多部分产品合规性声明

- Eu RoHS
- REACH SVHC
- Low-Halogen

### 多部分行业合规性文件

- IPC 1752A Class C

- IPC 1752A Class D
- Molex Product Compliance Declaration
- IEC-62474
- chemSHERPA (xml)

欧盟 RoHS 合格证书

## 产品详情

### 常规

|      |  |
|------|--|
| 状态   | 活动   |
| 类别   | Connector Accessories                              |
| 系列   | 87569  |
| 说明   | 2.00mm Strain Relief for Dual Row IDT, 40 Circuits |
| 元件类型 | Strain Relief                                      |
| 产品系列 | Milli-Grid Connector System                        |
| 产品名称 | Milli-Grid   |
| UPC  | 800754798556                                       |

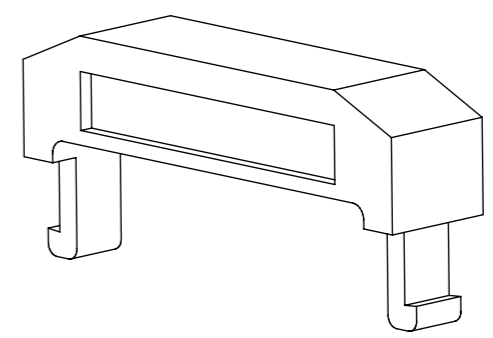
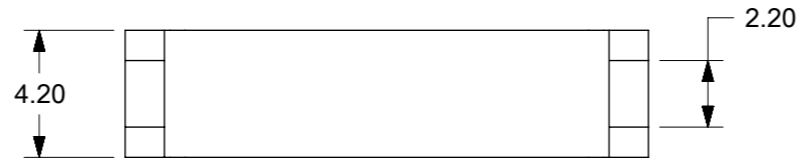
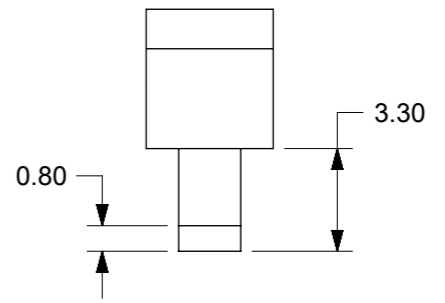
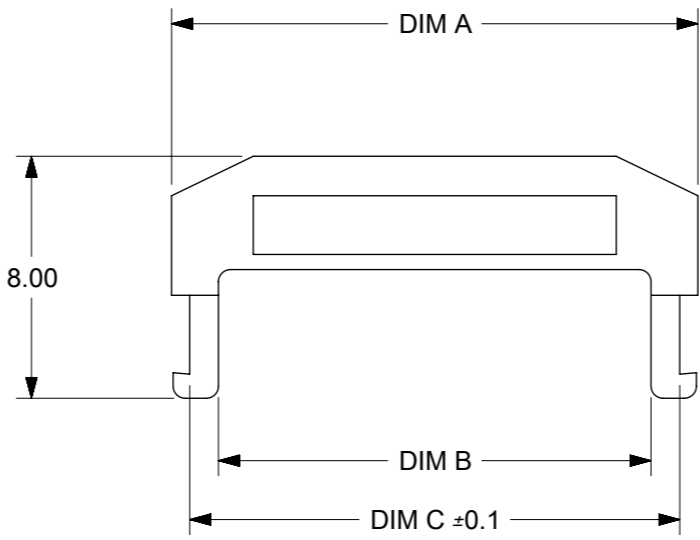
### 物理

|           |                                |
|-----------|--------------------------------|
| 回路数 (已载入) | 40                             |
| 电路数 (最多)  | 40                             |
| 颜色-树脂     | 黑色                             |
| 性别        | 不适用                            |
| 材料 - 树脂   | High Temperature Thermoplastic |
| 净重        | 1.079/g                        |
| 行数        | 2                              |
| 包装形式      | Bag                            |

### 可连接使用部件

|          |                |
|----------|----------------|
| 描述       | 产品编号           |
| 可装的端子等部件 | PCB Receptacle |

| ENGINEERING NUMBER | CKT SIZE | A     | B     | C     |
|--------------------|----------|-------|-------|-------|
| 87569-1010         | 10       | 15.40 | 12.20 | 14.25 |
| 87569-1012         | 12       | 17.40 | 14.20 | 16.25 |
| 87569-1014         | 14       | 19.40 | 16.20 | 18.25 |
| 87569-1016         | 16       | 21.40 | 18.20 | 20.25 |
| 87569-1020         | 20       | 25.40 | 22.20 | 24.25 |
| 87569-1022         | 22       | 27.40 | 24.20 | 26.25 |
| 87569-1024         | 24       | 29.40 | 26.20 | 28.25 |
| 87569-1026         | 26       | 31.40 | 28.20 | 30.25 |
| 87569-1030         | 30       | 35.40 | 32.20 | 34.25 |
| 87569-1032         | 32       | 37.40 | 34.20 | 36.25 |
| 87569-1034         | 34       | 39.40 | 36.20 | 38.25 |
| 87569-1040         | 40       | 45.40 | 42.20 | 44.25 |
| 87569-1044         | 44       | 49.40 | 46.20 | 48.25 |
| 87569-1050         | 50       | 55.40 | 52.20 | 54.25 |



87569 - 1 0 \* \*  
 CKT SIZE

**NOTES:**  
 1. MATERIAL: THERMOPLASTIC, UL94V-0 BLACK  
 2. FOR ILLUSTRATION PURPOSES A 12 CIRCUIT SIZE PART IS SHOWN.  
 3. FOR ALL OTHER CIRCUIT SIZES CONTACT FACTORY.

|                            |   |            |  |            |  |            |  |  |  |                 |  |  |  |
|----------------------------|---|------------|--|------------|--|------------|--|--|--|-----------------|--|--|--|
| <b>QUALITY SYMBOLS</b><br> | THIS DRAWING CONTAINS INFORMATION THAT IS PROPRIETARY TO MOLEX ELECTRONIC TECHNOLOGIES, LLC AND SHOULD NOT BE USED WITHOUT WRITTEN PERMISSION |            |  |            |  |            |  |  |  |                 |  |  |  |
|                            | MIGRATED TO ECTR<br>EC NO: 170269<br>DRWN: VNANDAM<br>CHK'D: CD<br>REV APPR: GGA  | 2017/12/12 |  | 2018/02/12 |  | 2018/02/13 |  | GENERAL TOLERANCES (UNLESS SPECIFIED)                |  | DIMENSION UNITS |  | SCALE  |  |
|                            |   | MM         |  | INCH       |  | MM         |  | INCH   |  | MM              |  | NTS  |  |
|                            |   | 4 PLACES ± |  | ±          |  | 4 PLACES ± |  | ±  |  | DRWN BY         |  | DATE   |  |
|                            |   | 3 PLACES ± |  | ±          |  | 3 PLACES ± |  | ±  |  | MSAKTHI         |  | 1999/02/25   |  |
| 2 PLACES ±                 |   | 0.2        |  | 2 PLACES ± |  | 0.2        |  | CHK'D BY   |  | DATE            |  |  |  |
| 1 PLACES ±                 |   | ±          |  | 1 PLACES ± |  | ±          |  | JSGOH  |  | 1999/07/19      |  |  |  |
| 0 PLACES ±                 |   | ±          |  | 0 PLACES ± |  | ±          |  | APPR BY  |  | DATE            |  |  |  |
|                            |   |            |  |            |  |            |  | MLONG  |  | 2009/11/13      |  |  |  |
|                            |   |            |  |            |  |            |  | ANGULAR TOL = 3.0                                    |  | DRAWING SIZE    |  | THIRD ANGLE PROJECTION   |  |
|                            |   |            |  |            |  |            |  | DRAFT WHERE APPLICABLE MUST REMAIN WITHIN DIMENSIONS |  | A3              |  |  |  |
|                            |   |            |  |            |  |            |  |  |  |                 |  |  |  |
|                            |   |            |  |            |  |            |  |  |  |                 |  | MGRID, 2MM DUAL ROW IDT  |  |
|                            |   |            |  |            |  |            |  |  |  |                 |  | PRODUCT CUSTOMER DRAWING   |  |
|                            |   |            |  |            |  |            |  |  |  |                 |  | SERIES: 87569 MATERIAL NUMBER: SEE TABLE CUSTOMER: GENERAL MARKET              |  |
|                            |   |            |  |            |  |            |  |  |  |                 |  | DOCUMENT NUMBER: SD-87569-008 DOC TYPE: PSD DOC PART: 001 SHEET NUMBER: 1 OF 1 |  |