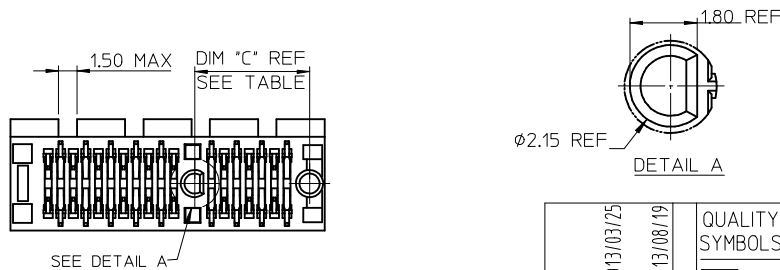
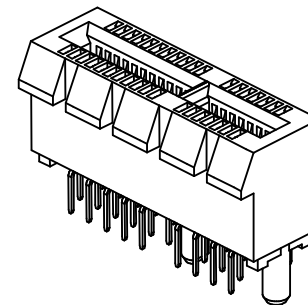
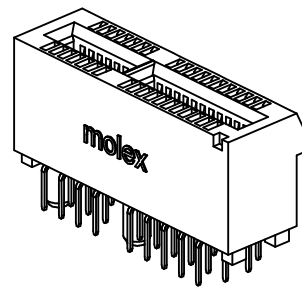


SECTION A-A



DETAIL A



NOTES:

1.MATERIALS:

1-1.HOUSING: SEE TABLE ,GLASS FIBER FILLED UL94V-0, COLOR: SEE TABLE.

1-2.CONTACT: SEE TABLE

2.PLATING:

2-1.CONTACT AREA: GOLD, THICKNESS : SEE TABLE .

2-2.SOLDER TAIL: 100 MICRONCH MIN. TIN PLATING.

2-3.UNDER PLATING: NICKEL PLATING OVERALL.

3.DATE CODE: YY MM DD.

4.PRODUCT SPECIFICATION REFER TO PS-87715-200.

5.TEST SUMMARY:REFER TO TS-87715-207.

CONNECTOR LINK WIDTH	# POS REF	N	DIM 'A'	DIM 'B'	DIM 'C'
X1	36	6	7.65	25.00	9.15
X16	164	70	71.65	89.00	73.15

PCB THK (REF)	DIM 'D'
1.58	2.54
2.36	3.00

ADDED OPTION	EC NO:	DATE	DRWNR:	DATE	CHKD:	DATE	APPR:	DESCRIPTION	REV	QUALITY SYMBOLS
	T109	2013/03/25	DRWNR:RL109	2013/03/25	CHKD:		APPR:RZHANG	2013/08/19		$F_{\Delta} = 0$ $F_{\Delta} = 0$ $F_{\Delta} = 0$

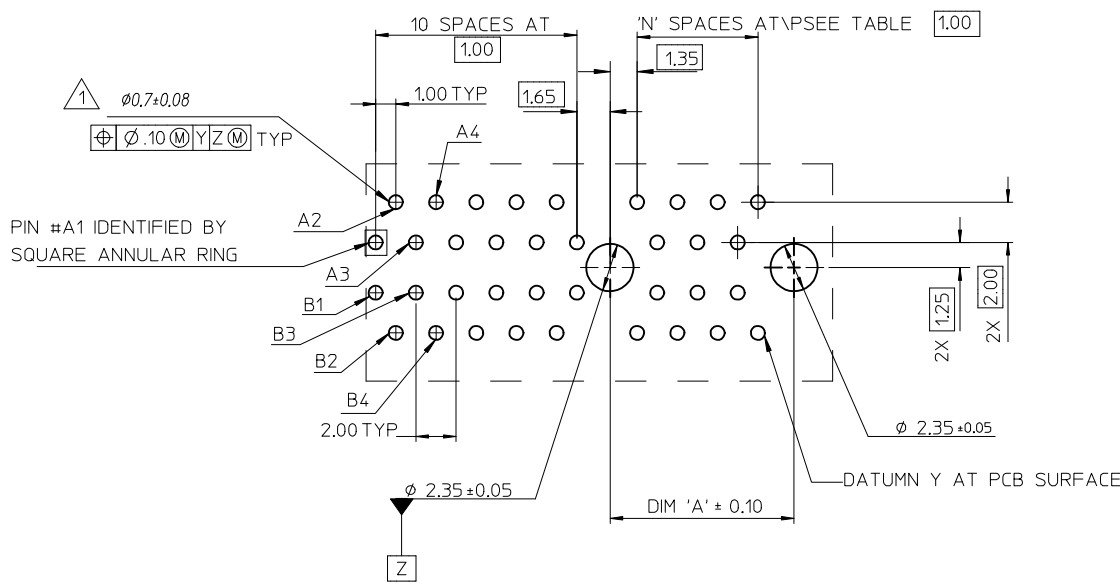
GENERAL TOLERANCES (UNLESS SPECIFIED)	mm	INCH
	4 PLACES	± ---
3 PLACES	± ---	± ---
2 PLACES	± 0.25	± ---
1 PLACE	± 0.25	± ---
0 PLACE	±	±

ANGULAR ± 3 °

DRAFT WHERE APPLICABLE MUST REMAIN WITHIN DIMENSIONS

DIMENSION STYLE		SCALE	DESIGN UNITS	THIRD ANGLE PROJECTION
MM ONLY			METRIC	
DRAWN BY	DATE	TITLE		
DAVID HU	2007/05/14	PCI EXPRESS		
CHECKED BY	DATE	EDGE CARD CONNECTOR		
HARVEY	2007/05/14	(LEAD FREE VERSION)		
APPROVED BY	DATE	molex		
JENNY CHEN	2007/05/14			
MATERIAL NO.		DOCUMENT NO.	SHEET NO.	
SEE TABLE		SD-87715-901	1 OF 6	

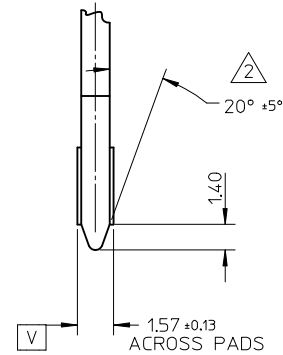
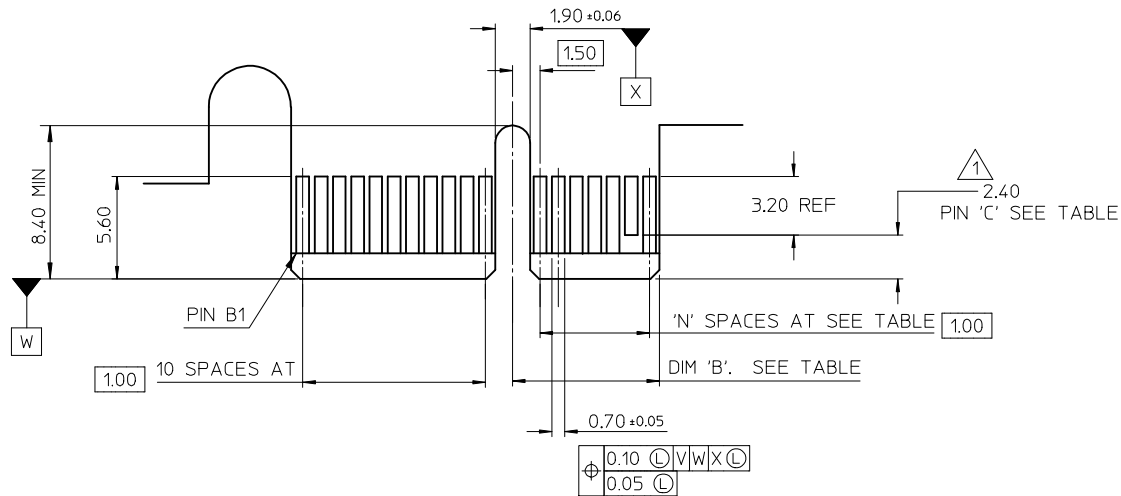
THIS DRAWING CONTAINS INFORMATION THAT IS PROPRIETARY TO MOLEX INCORPORATED AND SHOULD NOT BE USED WITHOUT WRITTEN PERMISSION



1 THE HORIZONTAL AXIS FOR THE HOLE PATTERN IS ESTABLISHED BY A LINE THROUGH THE CENTER OF THE TWO $\phi 2.35$ HOLES. THE VERTICAL AXIS IS 90° TO THE HORIZONTAL AXIS, THROUGH THE CENTER OF DATUM Z

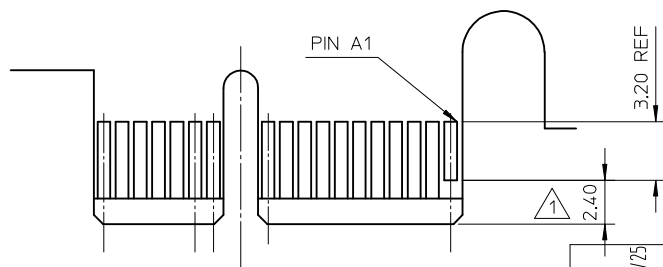
CONNECTOR LINK WIDTH	# POS REF	N	DIM 'A'
X1	36	6	9.15
X16	164	70	73.15

ADDED OPTION EC NO: SH2013-0300 TDRW:RL109 2013/03/25 CHKD: APPR:RZHANG 2013/08/19	QUALITY SYMBOLS	GENERAL TOLERANCES (UNLESS SPECIFIED)		DIMENSION STYLE	SCALE	DESIGN UNITS	THIRD ANGLE PROJECTION
	$F_A=0$	mm	INCH	MM ONLY		METRIC	
	$F_C=0$	4 PLACES ± ---	± ---	DRAWN BY	DATE	TITLE	
	$F_P=0$	3 PLACES ± ---	± ---	DAVID HU	2007/05/14	PCI EXPRESS EDGE CARD CONNECTOR (LEAD FREE VERSION)	
	2 PLACES ± 0.25	± ---	CHECKED BY	DATE	DOCUMENT NO.		SHEET NO.
	1 PLACE ± 0.25	± ---	HARVEY	2007/05/14	SD-87715-901		2 OF 6
	0 PLACE ±	±	APPROVED BY	DATE	MATERIAL NO.		
		ANGULAR ± 3°	JENNY CHEN	2007/05/14	SEE TABLE		
		DRAFT WHERE APPLICABLE MUST REMAIN WITHIN DIMENSIONS	SIZE A3		THIS DRAWING CONTAINS INFORMATION THAT IS PROPRIETARY TO MOLEX INCORPORATED AND SHOULD NOT BE USED WITHOUT WRITTEN PERMISSION		



← I/O PANEL DIRECTION

PRIMARY (COMPONENT) SIDE



I/O PANEL DIRECTION →

SECONDARY (SOLDER) SIDE

- △1 NO TIE BAR PERMITTED FROM CARD EDGE TO LEADING EDGE OF PAD FOR PINS A1 AND "C".
- △2 CHAMFER EDGES MUST BE FREE OF CUTTING BURRS.
- 3 TOLERANCE: .XX±.13

CONNECTOR LINK WIDTH	# POS REF	N	DIM 'B'	'C' △1
X1	36	6	8.15	B17
X16	164	70	72.15	B17, B31 B48,B81

ADDED OPTION EC NO: SH2013-0300 DRWNR: 109 2013/03/25 CHKD: APPR: RZHANG 2013/08/19	QUALITY SYMBOLS	GENERAL TOLERANCES (UNLESS SPECIFIED)		DIMENSION STYLE	SCALE	DESIGN UNITS	THIRD ANGLE PROJECTION	
	$\nabla_{A} = 0$ $\nabla_{B} = 0$ $\nabla_{C} = 0$	mm	INCH	MM ONLY		METRIC		
		4 PLACES ± --- ± ---	DRAWN BY	DATE	TITLE			
		3 PLACES ± --- ± ---	CHECKED BY	DATE	PCI EXPRESS EDGE CARD CONNECTOR (LEAD FREE VERSION)			
	2 PLACES ± 0.25 ± ---	HARVEY	2007/05/14					
	1 PLACE ± 0.25 ± ---	APPROVED BY	DATE					
	0 PLACE ± ±	JENNY CHEN	2007/05/14	MATERIAL NO.		DOCUMENT NO.	SHEET NO.	
	ANGULAR ± 3 °	SEE TABLE		SD-87715-901		3 OF 6		
	DRAFT WHERE APPLICABLE MUST REMAIN WITHIN DIMENSIONS	THIS DRAWING CONTAINS INFORMATION THAT IS PROPRIETARY TO MOLEX INCORPORATED AND SHOULD NOT BE USED WITHOUT WRITTEN PERMISSION						

F

E

D

C

B

A

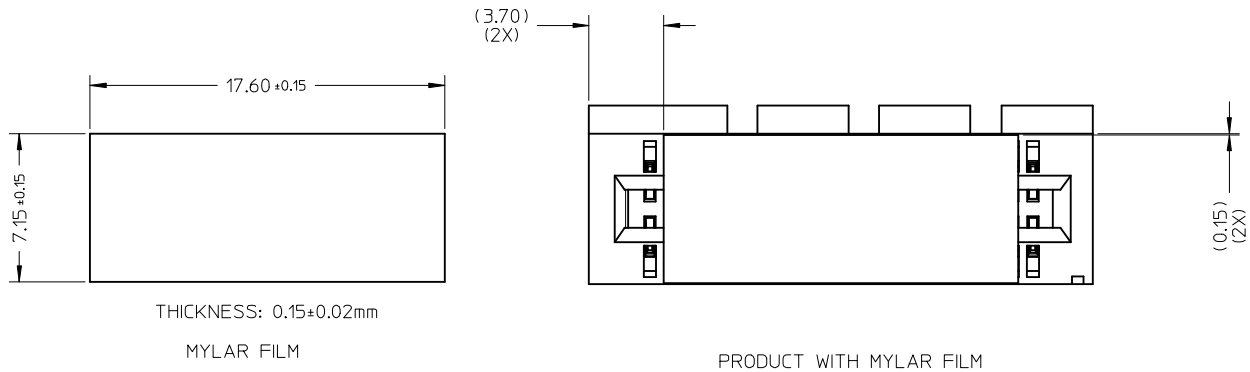
MOLEX P/N	CIRCUIT SIZE	HOUSING MATERIAL	HOUSING COLOR	TERMINAL MATERIAL	CONTACT PLATING	SOLDER TAIL "D" LENGTH	PEG 1	PEG 2	DESCRIPTION	PACKING	
87715-9000	36	NYLON46	BLACK	PHOSPHOR BRONZE	GOLD FLASH	2.54	WITH	WITH	TOOLED	TRAY	
87715-9002					15 MICROINCH						
87715-9005					15 MICROINCH	3.00					
87715-9006					30 MICROINCH						2.54
87715-9009					30 MICROINCH						

MOLEX P/N	CIRCUIT SIZE	HOUSING MATERIAL	HOUSING COLOR	TERMINAL MATERIAL	CONTACT PLATING	SOLDER TAIL "D" LENGTH	PEG 1	PEG 2	DESCRIPTION	PACKING	
87715-9300	164	NYLON46	BLACK	PHOSPHOR BRONZE	GOLD FLASH	2.54	WITH	WITH	TOOLED	TRAY	
87715-9302					15 MICROINCH						
87715-9303					GOLD FLASH	3.00					
87715-9305					15 MICROINCH						2.54
87715-9306					30 MICROINCH						
87715-9309					30 MICROINCH	3.00					

ADDED OPTION EC NO: SH2013-0300 2013/03/25 TDRW:RL109 CHKD: APPR:RZHANG 2013/06/19 REV	QUALITY SYMBOLS	GENERAL TOLERANCES (UNLESS SPECIFIED)	DIMENSION STYLE	SCALE	DESIGN UNITS	THIRD ANGLE PROJECTION	
	$F_A=0$	mm INCH	MM ONLY		METRIC		
	$F_G=0$	4 PLACES ± --- ± ---	DRAWN BY DATE	TITLE PCI EXPRESS EDGE CARD CONNECTOR (LEAD FREE VERSION) molex DOCUMENT NO. SD-87715-901 SHEET NO. 4 OF 6			
	$F_C=0$	3 PLACES ± --- ± ---	CHECKED BY DATE				
	$F_D=0$	2 PLACES ± 0.25 ± ---	HARVEY 2007/05/14				
	1 PLACE ± 0.25 ± ---	APPROVED BY DATE					
	0 PLACE ± ±	JENNY CHEN 2007/05/14					
	ANGULAR ± 3 °	DRAFT WHERE APPLICABLE MUST REMAIN WITHIN DIMENSIONS	SEE TABLE				
			SIZE A3	THIS DRAWING CONTAINS INFORMATION THAT IS PROPRIETARY TO MOLEX INCORPORATED AND SHOULD NOT BE USED WITHOUT WRITTEN PERMISSION			

THIS SHEET IS ONLY FOR 87715-0006

MOLEX PN	CIRCUIT SIZE	HOUSING MATERIAL	HOUSING COLOR	TERMINAL MATERIAL	CONTACT PLATING	SOLDER TAIL "D" LENGTH	PEG 1	PEG 2	DESCRIPTION	MYLAR FILM	PACKAGING
87715-0006	36	NYLON 46	BLACK	PHOSPHOR BRONZE	30 MICROINCH	2.54	WITH	WITH	TOOLED	WITH	TAPE & REEL PK-87715-006



ADDED OPTION EC NO: SH2013-0300 TDRW:RL109 2013/03/25 CHKD: APPR:RZHANG 2013/08/19	QUALITY SYMBOLS $F_A=0$ $F_G=0$ $F_P=0$	GENERAL TOLERANCES (UNLESS SPECIFIED) <table border="1"> <thead> <tr> <th></th> <th>mm</th> <th>INCH</th> </tr> </thead> <tbody> <tr> <td>4 PLACES</td> <td>± ---</td> <td>± ---</td> </tr> <tr> <td>3 PLACES</td> <td>± ---</td> <td>± ---</td> </tr> <tr> <td>2 PLACES</td> <td>± 0.25</td> <td>± ---</td> </tr> <tr> <td>1 PLACE</td> <td>± 0.25</td> <td>± ---</td> </tr> <tr> <td>0 PLACE</td> <td>±</td> <td>±</td> </tr> </tbody> </table>		mm	INCH	4 PLACES	± ---	± ---	3 PLACES	± ---	± ---	2 PLACES	± 0.25	± ---	1 PLACE	± 0.25	± ---	0 PLACE	±	±	DIMENSION STYLE MM ONLY	SCALE 1:1	DESIGN UNITS METRIC	THIRD ANGLE PROJECTION
		mm	INCH																					
	4 PLACES	± ---	± ---																					
	3 PLACES	± ---	± ---																					
2 PLACES	± 0.25	± ---																						
1 PLACE	± 0.25	± ---																						
0 PLACE	±	±																						
		DRAWN BY DAVID HU	DATE 2007/05/14	TITLE PCI EXPRESS EDGE CARD CONNECTOR (LEAD FREE VERSION)																				
		CHECKED BY HARVEY	DATE 2007/05/14	molex																				
		APPROVED BY JENNY CHEN	DATE 2007/05/14	MATERIAL NO. SEE TABLE	DOCUMENT NO. SD-87715-901	SHEET NO. 5 OF 6																		

THIS SHEET IS ONLY FOR 87715-0016

MOLEX PN	CIRCUIT SIZE	HOUSING MATERIAL	HOUSING COLOR	TERMINAL MATERIAL	CONTACT PLATING	SOLDER TAIL "D" LENGTH	PEG 1	PEG 2	DESCRIPTION	PACKAING
87715-0016	36	NYLON 46	BLACK	PHOSPHOR BRONZE	30 MICRINCH	2.54	WITH	WITH	TOOLED	TAPE & REEL PK-87715-016

ADDED OPTION EC NO: SH2013-0436 DRWNR: L109 2013/03/25 CHKD: APPR:	QUALITY SYMBOLS $\nabla_A = 0$ $\nabla_G = 0$ $\nabla_P = 0$	GENERAL TOLERANCES (UNLESS SPECIFIED)		DIMENSION STYLE MM ONLY		SCALE 1:1	DESIGN UNITS METRIC	THIRD ANGLE PROJECTION	
				DRAWN BY DAVID HU	DATE 2007/05/14	TITLE PCI EXPRESS EDGE CARD CONNECTOR (LEAD FREE VERSION)			
				CHECKED BY HARVEY	DATE 2007/05/14				
				APPROVED BY JENNY CHEN	DATE 2007/05/14	DOCUMENT NO. SD-87715-901			
				MATERIAL NO.					
			DRAFT WHERE APPLICABLE MUST REMAIN WITHIN DIMENSIONS		SEE TABLE		THIS DRAWING CONTAINS INFORMATION THAT IS PROPRIETARY TO MOLEX INCORPORATED AND SHOULD NOT BE USED WITHOUT WRITTEN PERMISSION		