

NOTES:

1.MATERIALS:

1-1.HOUSING: SEE TABLE ,GLASS FIBER FILLED UL94V-0,
COLOR: SEE TABLE.

1-2.CONTACT: SEE TABLE

2.PLATING:

2-1.CONTACT AREA: GOLD, THICKNESS : SEE TABLE .

2-2.SOLDER TAIL: 100 MICROINCH MIN. TIN PLATING.

2-3.UNDER PLATING: 50 MICROINCH MIN. NICKEL PLATING OVERALL.

3.WEEK CODE: XX(YEAR) XX(WEEK) X(LOCATION).

4.PRODUCT SPECIFICATION REFER TO PS-87715-200.

5.PACKAGING SPECIFICATION REFER TO PK-87715-207.

6.TEST SUMMARY:REFER TO TS-87715-207.

7.LEAD FREE AND ROHS COMPLIANCE PRODUCT.

| CONNECTOR LINK WIDTH | # POS REF | N | DIM "A" | DIM "B" | DIM "C" |
|----------------------|-----------|----|---------|---------|---------|
| X1 | 36 | 6 | 7.65 | 25.00 | 9.15 |
| X4 | 64 | 20 | 21.65 | 39.00 | 23.15 |
| X8 | 98 | 37 | 38.65 | 56.00 | 40.15 |
| X16 | 164 | 70 | 71.65 | 89.00 | 73.15 |

| PCB THK (REF) | DIM "D" |
|---------------|---------|
| 1.60 | 2.30 |
| 1.58 | 2.54 |
| 2.36 | 3.00 |

| | | | | | |
|---|-------|--|--|---|--|
| THIS DRAWING CONTAINS INFORMATION THAT IS PROPRIETARY TO MOLEX ELECTRONIC TECHNOLOGIES, LLC AND SHOULD NOT BE USED WITHOUT WRITTEN PERMISSION | | CURRENT REV DESC: | | molex | |
| DIMENSION UNITS | SCALE | EC NO: 668799 | | | |
| mm | NTS | DRWN: CCHEN103 2020/12/25 | | PCI EXPRESS | |
| GENERAL TOLERANCES (UNLESS SPECIFIED) | | CHK'D: SHLENI 2021/07/16 | | EDGE CARD CONNECTOR (LEAD FREE VERSION) | |
| | | APPR: SHLENI 2021/07/16 | | PRODUCT CUSTOMER DRAWING | |
| 4 PLACES ± | | INITIAL REVISION: | | DOCUMENT NUMBER | |
| 3 PLACES ± | | DRWN: TOM 2004/07/20 | | SD-87715-207 | |
| 2 PLACES ± 0.25 ± | | APPR: WILSON 2004/07/20 | | DOC TYPE DOC PART REVISION | |
| 1 PLACE ± 0.25 ± | | ANGULAR TOL ± 3.0° | | PSD 001 J2 | |
| 0 PLACES ± | | DRAFT WHERE APPLICABLE MUST REMAIN WITHIN DIMENSIONS | | MATERIAL NUMBER CUSTOMER SHEET NUMBER | |
| | | THIRD ANGLE PROJECTION | | SEE TABLE GENERAL MARKET 1 OF 5 | |

10

9

8

7

6

5

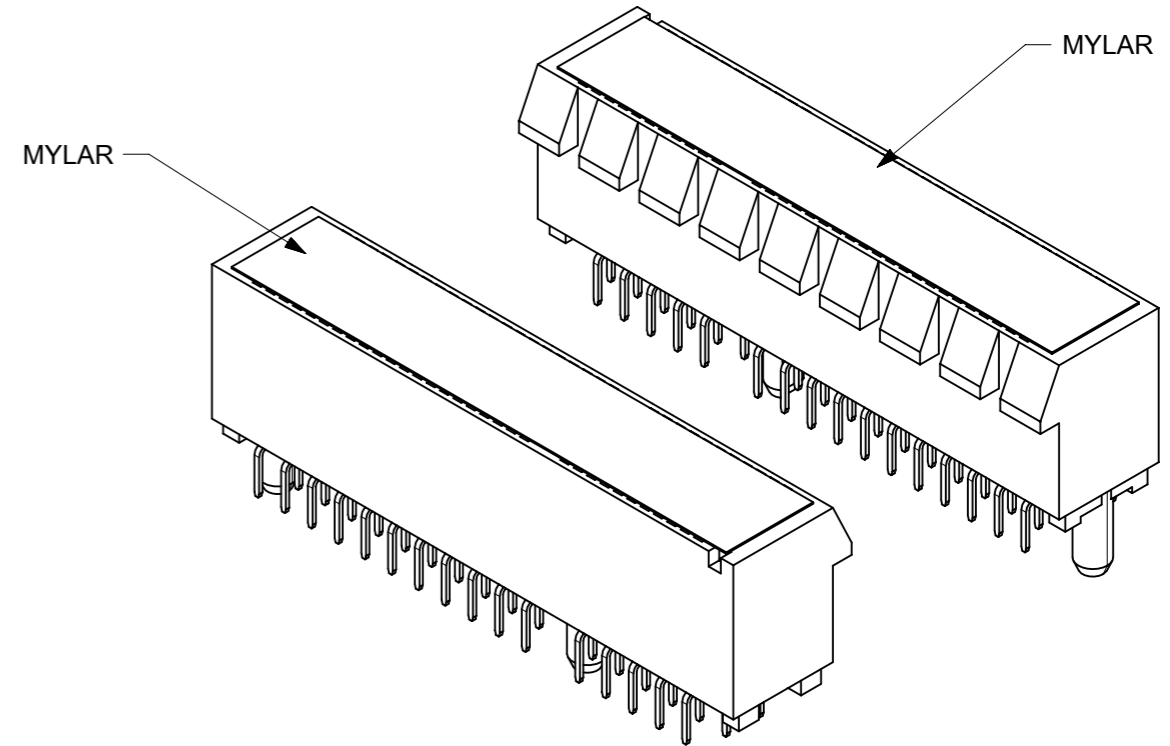
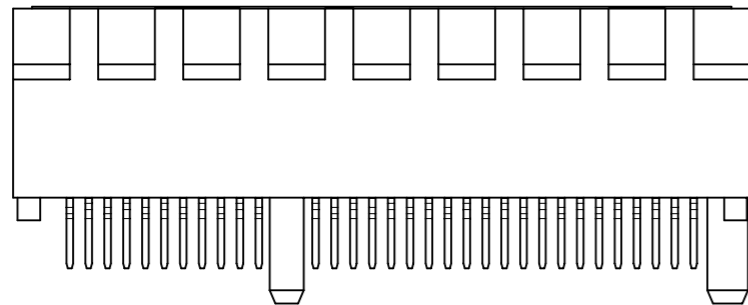
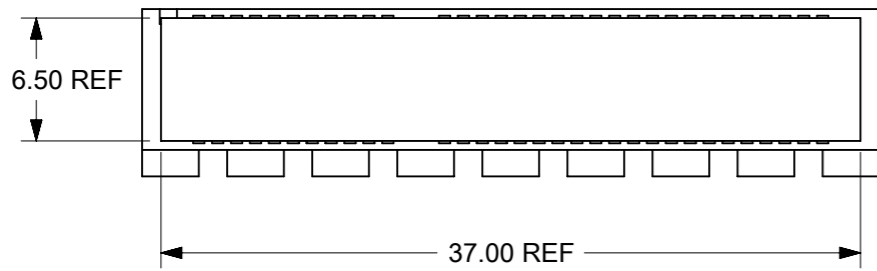
4

3

2

1

| MOLEX P/N | CIRCUIT SIZE | HOUSING MATERIAL | HOUSING COLOR | TERMINAL MATERIAL | CONTACT PLATING | SOLDER TAIL "D" LENGTH | NOTES |
|------------|--------------|------------------|---------------|-------------------|-----------------|------------------------|------------|
| 87715-9154 | 64 | NYLON46 | BLACK | PHOSPHOR BRONZE | 30 MICROINCH | 2.54 | WITH MYLAR |



| | | | | | | | | | | | | | |
|---|--|--------|--|---|--|--------|--|--|--|----------------|-----|--------------|----------|
| THIS DRAWING CONTAINS INFORMATION THAT IS PROPRIETARY TO MOLEX ELECTRONIC TECHNOLOGIES, LLC AND SHOULD NOT BE USED WITHOUT WRITTEN PERMISSION | | | | | | | | | | | | | |
| DIMENSION UNITS | | SCALE | | CURRENT REV DESC: | | | | molex | | | | | |
| mm | | NTS | | | | | | | | | | | |
| GENERAL TOLERANCES (UNLESS SPECIFIED) | | | | EC NO: 668799 DRWN: CCHEN103 2020/12/25 CHK'D: SHLENI 2021/07/16 APPR: SHLENI 2021/07/16 INITIAL REVISION: DRWN: DRAWN BY 0099/99/99 APPR: APPR BY 0099/99/99 | | | | PCI EXPRESS EDGE CARD CONNECTOR (LEAD FREE VERSION) | | | | | |
| | | | | | | | | PRODUCT CUSTOMER DRAWING | | | | | |
| 4 PLACES ± | | ± | | | | | | DOCUMENT NUMBER | | DOC TYPE | | DOC PART | REVISION |
| 3 PLACES ± | | ± | | | | | | SD-87715-207 | | PSD | 001 | J2 | |
| 2 PLACES ± | | 0.25 ± | | | | | | MATERIAL NUMBER | | CUSTOMER | | SHEET NUMBER | |
| 1 PLACE ± | | 0.25 ± | | | | | | SEE TABLE | | GENERAL MARKET | | 2 OF 5 | |
| 0 PLACES ± | | ± | | DRAWING | | SERIES | | | | | | | |
| ANGULAR TOL ± | | 3.0 ° | | A3-SIZE | | 87715 | | | | | | | |
| DRAFT WHERE APPLICABLE MUST REMAIN WITHIN DIMENSIONS | | | | THIRD ANGLE PROJECTION | | | | | | | | | |

| | | | | |
|-----------------|----|--------------|------------|----------|
| DOCUMENT STATUS | P1 | RELEASE DATE | 2021/07/16 | 10:00:09 |
|-----------------|----|--------------|------------|----------|

9

8

7

6

5

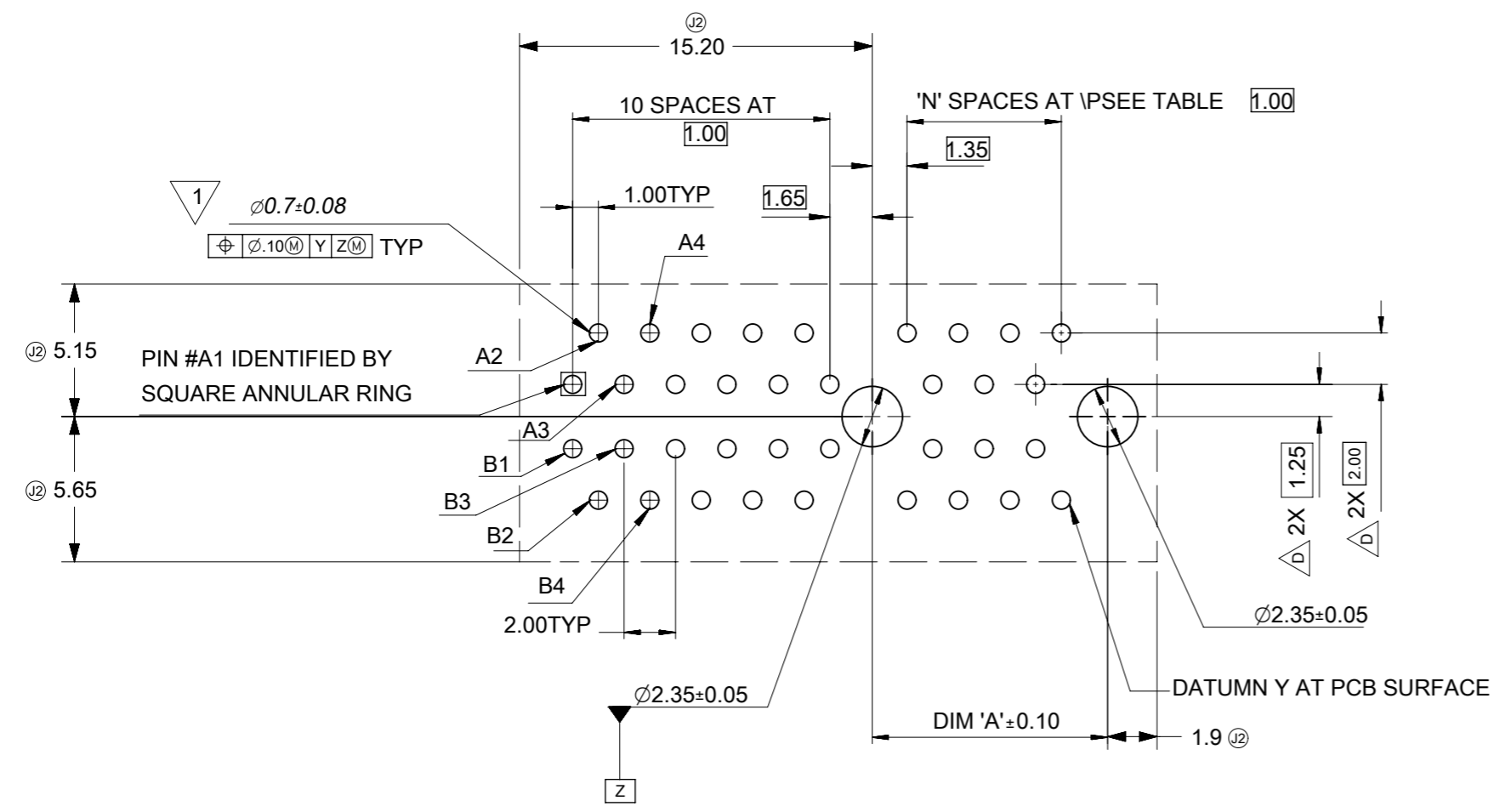
4

3

2

1

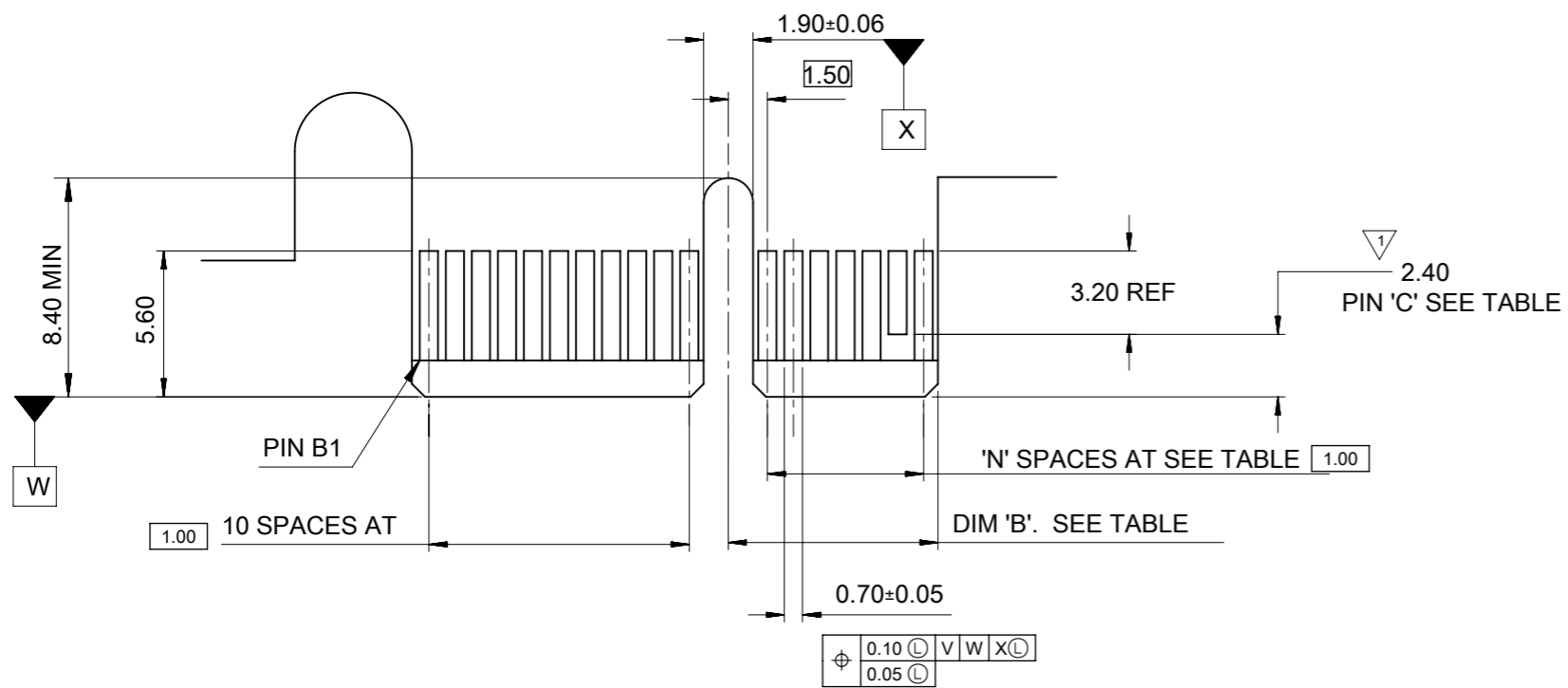
FORMAT: Met lego-master-ib-prod-A3
REVISION: E
DATE: 2020/01/14



1 THE HORIZONTAL AXIS FOR THE HOLE PATTERN IS ESTABLISHED BY A LINE THROUGH THE CENTER OF THE TWO $\varnothing 2.35$ HOLES. THE VERTICAL AXIS IS 90° TO THE HORIZONTAL AXIS. THROUGH THE CENTER OF DATUM Z

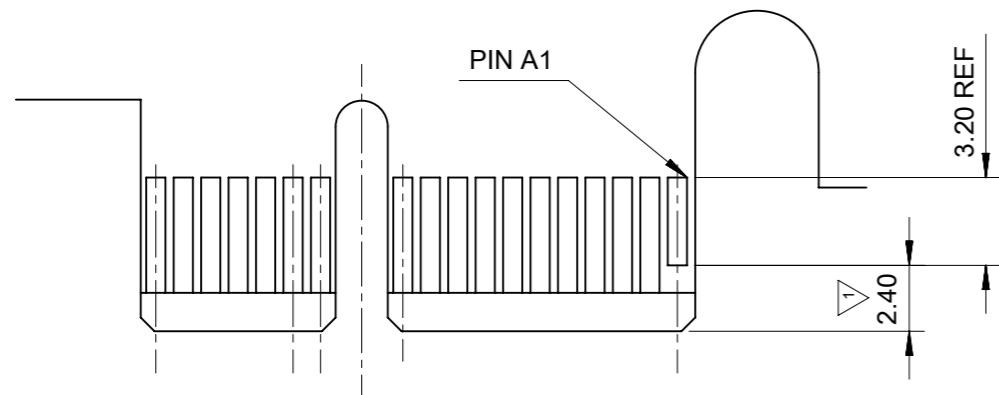
| CONNECTOR LINK WIDTH | # POS REF | N | DIM 'A' |
|----------------------|-----------|----|---------|
| X1 | 36 | 6 | 9.15 |
| X4 | 64 | 20 | 23.15 |
| X8 | 98 | 37 | 40.15 |
| X16 | 164 | 70 | 73.15 |

| | | | | | | | | | |
|---|--|------------------------|--|---------------------------|--|--------|--|---|--|
| THIS DRAWING CONTAINS INFORMATION THAT IS PROPRIETARY TO MOLEX ELECTRONIC TECHNOLOGIES, LLC AND SHOULD NOT BE USED WITHOUT WRITTEN PERMISSION | | | | | | | | | |
| DIMENSION UNITS | | SCALE | | CURRENT REV DESC: | | | | molex | |
| mm | | NTS | | | | | | | |
| GENERAL TOLERANCES (UNLESS SPECIFIED) | | | | EC NO: 668799 | | | | PCI EXPRESS | |
| | | | | DRWN: CCHEN103 2020/12/25 | | | | EDGE CARD CONNECTOR (LEAD FREE VERSION) | |
| 4 PLACES ± | | | | CHK'D: SHLENI 2021/07/16 | | | | | |
| 3 PLACES ± | | | | APPR: SHLENI 2021/07/16 | | | | PRODUCT CUSTOMER DRAWING | |
| 2 PLACES ± 0.25 ± | | | | INITIAL REVISION: | | | | DOCUMENT NUMBER | |
| 1 PLACE ± 0.25 ± | | | | DRWN: TOM 2004/07/20 | | | | SD-87715-207 | |
| 0 PLACES ± | | | | APPR: WILSON 2004/07/20 | | | | DOC TYPE DOC PART REVISION | |
| ANGULAR TOL ± 3.0° | | | | | | | | PSD 001 J2 | |
| DRAFT WHERE APPLICABLE MUST REMAIN WITHIN DIMENSIONS | | THIRD ANGLE PROJECTION | | DRAWING | | SERIES | | MATERIAL NUMBER CUSTOMER SHEET NUMBER | |
| | | | | A3-SIZE | | 87715 | | SEE TABLE GENERAL MARKET 3 OF 5 | |



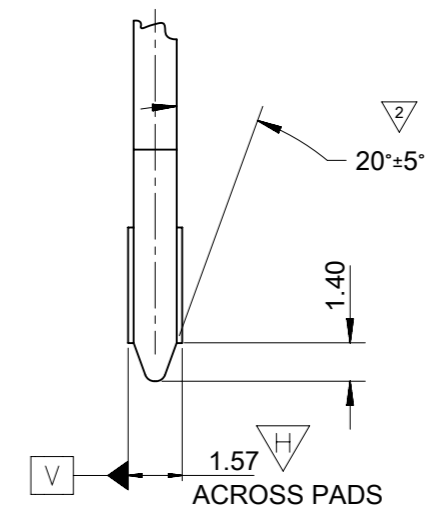
← I/O PANEL DIRECTION

PRIMARY (COMPONENT) SIDE



I/O PANEL DIRECTION →

SECONDARY (SOLDER) SIDE



- 1 NO TIE BAR PERMITTED FROM CARD EDGE TO LEADING EDGE OF PAD FOR PINS A1 AND "C".
- 2 CHAMFER EDGES MUST BE FREE OF CUTTING BURRS.
- 3. TOLERANCE: .XX±.13

| CONNECTOR LINK WIDTH | # POS REF | N | DIM 'B' | 'C' ¹ |
|----------------------|-----------|----|---------|----------------------|
| X1 | 36 | 6 | 8.15 | B17 |
| X4 | 64 | 20 | 22.15 | B17, B31 |
| X8 | 98 | 37 | 39.15 | B17, B31 B48 |
| X16 | 164 | 70 | 72.15 | B17, B31 B48, B81 |

| | | | | | | | | | |
|---|--|--------|--|------------------------|--|-------------|--|---|--|
| THIS DRAWING CONTAINS INFORMATION THAT IS PROPRIETARY TO MOLEX ELECTRONIC TECHNOLOGIES, LLC AND SHOULD NOT BE USED WITHOUT WRITTEN PERMISSION | | | | | | | | | |
| DIMENSION UNITS | | SCALE | | CURRENT REV DESC: | | | | molex | |
| mm | | NTS | | | | | | | |
| GENERAL TOLERANCES (UNLESS SPECIFIED) | | | | EC NO: 668799 | | PCI EXPRESS | | EDGE CARD CONNECTOR (LEAD FREE VERSION) | |
| 4 PLACES ± | | ± | | DRWN: CCHEN103 | | 2020/12/25 | | | |
| 3 PLACES ± | | ± | | CHK'D: SHLENI | | 2021/07/16 | | | |
| 2 PLACES ± | | 0.25 ± | | APPR: SHLENI | | 2021/07/16 | | PRODUCT CUSTOMER DRAWING | |
| 1 PLACE ± | | 0.25 ± | | INITIAL REVISION: | | | | DOCUMENT NUMBER | |
| 0 PLACES ± | | ± | | DRWN: TOM | | 2004/07/20 | | SD-87715-207 | |
| ANGULAR TOL ± | | 3.0° | | APPR: WILSON | | 2004/07/20 | | DOC TYPE | |
| DRAFT WHERE APPLICABLE MUST REMAIN WITHIN DIMENSIONS | | | | THIRD ANGLE PROJECTION | | DRAWING | | SERIES | |
| | | | | A3-SIZE | | 87715 | | MATERIAL NUMBER | |
| | | | | SEE TABLE | | CUSTOMER | | GENERAL MARKET | |
| | | | | | | | | SHEET NUMBER | |
| | | | | | | | | 4 OF 5 | |

