



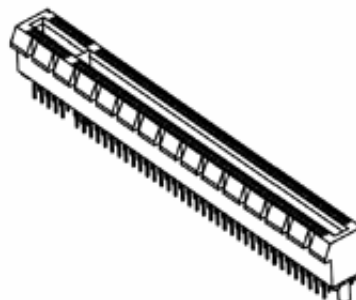
产品编号 : [877159306](#)

Product Description : 1.00mm Pitch, PCI Express Connector, 164 Circuits, Nylon 4/6 Glass-filled, Black Housing, Phosphor Bronze, 0.76µm Gold Solder-tail, Lead-Free

系列号 : 87715

状态 : Active

Product Category : Card Edge Connectors



文件和资源

图纸

[图纸 877159306_sd.pdf](#)

[包装设计图 PK-87715-207-001.pdf](#)

3D 模型和设计文件

[3D模型 877159306_stp.zip](#)

[电气模型文件 EE-87715-014-001.pdf](#)

[电气模型文件 EE-87715-013-001.pdf](#)

[电气模型文件 EE-87715-012-001.pdf](#)

[电气模型文件 EE-87715-011-001.pdf](#)

[电气模型文件 EE-87715-002-001.pdf](#)

[信号完整性报告 SI-87715-002-001.pdf](#)

[S参数 SP-87715-014-001.zip](#)

[S参数 SP-87715-013-001.zip](#)

[S参数 SP-87715-002-001.zip](#)

[S参数 SP-87715-012-001.zip](#)

[S参数 SP-87715-011-001.zip](#)

规格

[产品规格 PS-87715-200-001.pdf](#)

[测试摘要 TS-87715-207-001.pdf](#)

产物环境合规

合规

GADSL/IMDS	Not Relevant
China RoHS	
EU ELV	Not Relevant
Low-Halogen Status	Not Low-Halogen per IEC 61249-2-21

REACH SVHC	Not Contained per D(2023)3788-DC (14 Jun 2023)
EU RoHS	Compliant per EU 2015/863

多部分产品合规性声明

- Eu RoHS
- REACH SVHC
- Low-Halogen

多部分行业合规性文件

- IPC 1752A Class C
- IPC 1752A Class D
- Molex Product Compliance Declaration
- IEC-62474
- chemSHERPA (xml)

欧盟 RoHS 合格证书

产品详情

常规

状态	活动
类别	Card Edge Connectors
系列	87715
说明	1.00mm Pitch, PCI Express Connector, 164 Circuits, Nylon 4/6 Glass-filled, Black Housing, Phosphor Bronze, 0.76µm Gold Solder-tail, Lead-Free
个评论	PCI 16 lanes
元件类型	Edgecard to PCB
产品系列	PCIe PCI-X Connectors
产品名称	PCI Express
基于标准	PCIe
UPC	822348683444

机构

CSA	LR19980
UL	E29179

电气

每触点最大电流	1.1A
---------	------

数据传输率	8.0 Gbps
大功率隔间 (30.0A 或更高)	否
电压 - 最大	50V AC (RMS)/DC

物理

电路尺寸范围	65-200 Circuits
回路数 (已载入)	164
电路数 (最多)	164
颜色-树脂	黑色
耐用性(插拔次数) - 最多次数	50
侧边卡厚度	1.57mm
进入角度	Vertical (Top Entry)
阻燃性	94V-0
插接极性	是
材料 - 金属	Phosphor Bronze
材料 - 接合部位电镀	金牌
材料 - 终端电镀	Tin
材料 - 树脂	High Temperature Thermoplastic
净重	8.500/g
方向	垂直
包装形式	Tray
PC 焊脚长度	2.54mm
PCB 定位器	是
PCB 保持力	是
推荐的 PCB 厚度	1.60mm
间距 - 插配接口	1.00mm
间距 - 终端界面	1.00mm
最薄镀层 - 接合部位	0.762 μ m
最薄镀层 - 端接	2.540 μ m
有极性的插配件	是
电源 - 信号配置	164s - 0p
运行温度范围	-55° to +85° C
终端界面类型	Through Hole

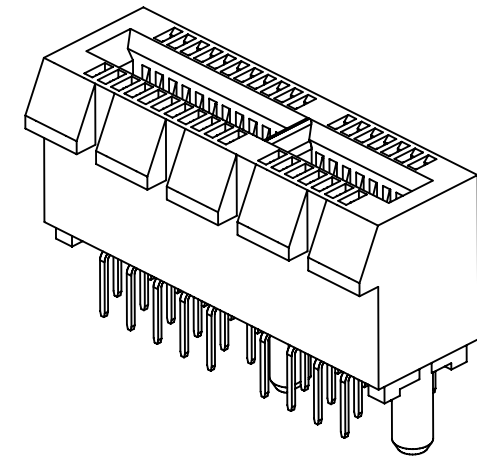
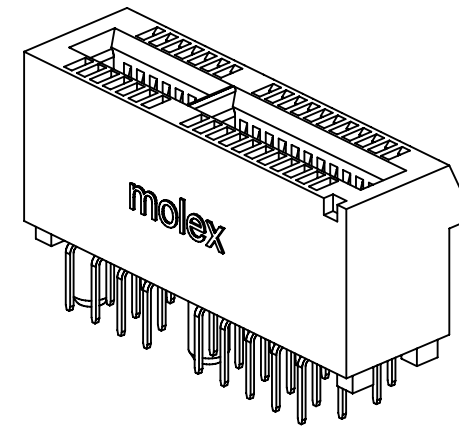
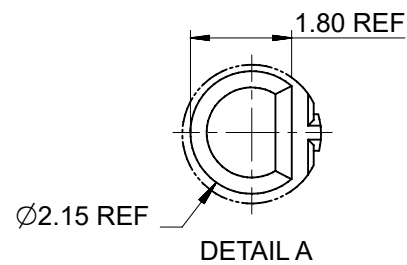
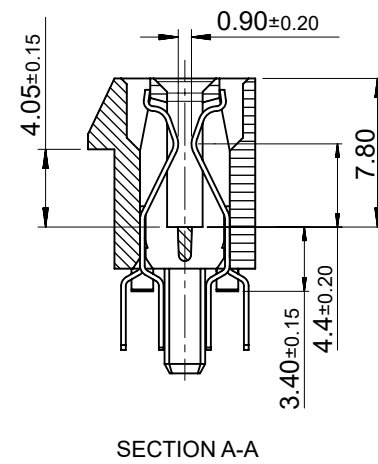
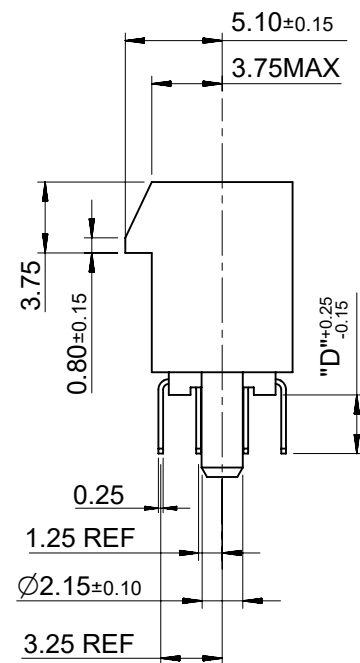
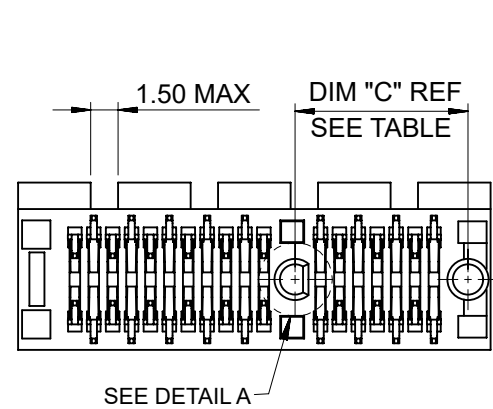
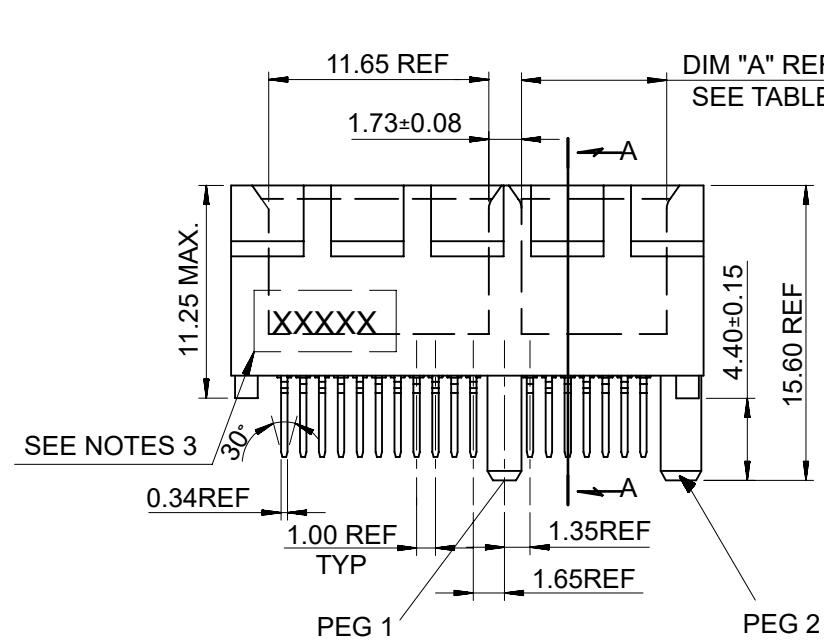
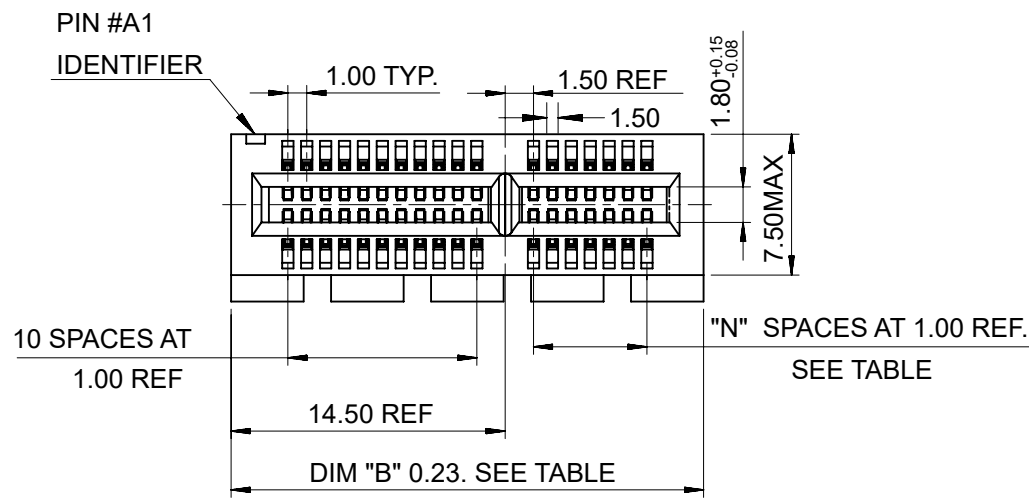
进程

最长持续时间	10
无铅	REFLOW
最大周期	1
最高温度	260

可配插/可连接使用的产品

可配插部件

描述	产品编号
配插使用	PCI Express Card



NOTES:

1.MATERIALS:

1-1.HOUSING: SEE TABLE ,GLASS FIBER FILLED UL94V-0, COLOR: SEE TABLE.

1-2.CONTACT: SEE TABLE

2.PLATING:

2-1.CONTACT AREA: GOLD, THICKNESS : SEE TABLE .

2-2.SOLDER TAIL: 100 MICROINCH MIN. TIN PLATING.

2-3.UNDER PLATING: NICKEL PLATING OVERALL.

3.DATE CODE: YY MM DD.

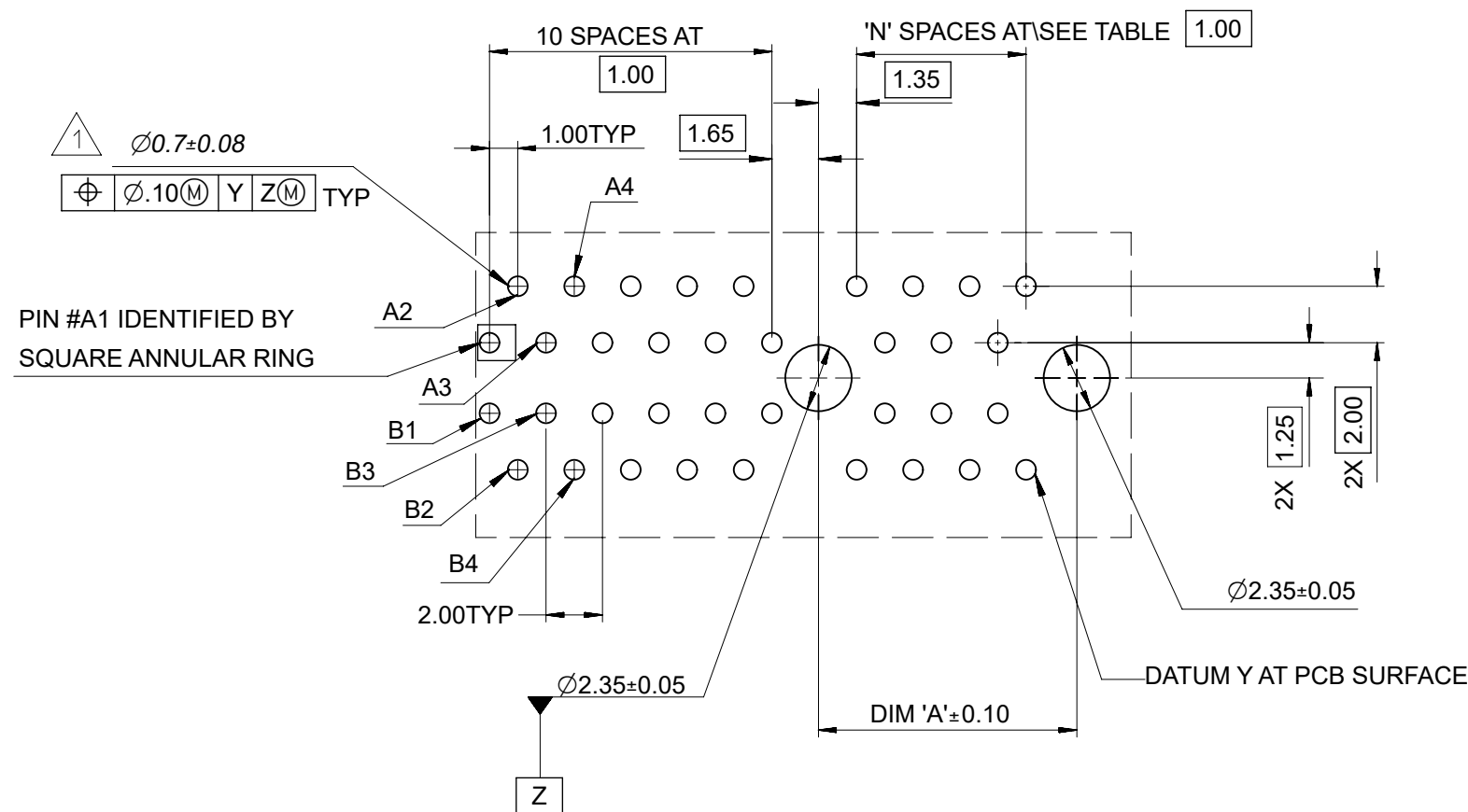
4.PRODUCT SPECIFICATION REFER TO PS-87715-200.

5.TEST SUMMARY:REFER TO TS-87715-207.

CONNECTOR LINK WIDTH	# POS REF	N	DIM "A"	DIM "B"	DIM "C"
X1	36	6	7.65	25.00	9.15
X16	164	70	71.65	89.00	73.15

PCB THK (REF)	DIM "D"
1.58	2.54
2.36	3.00

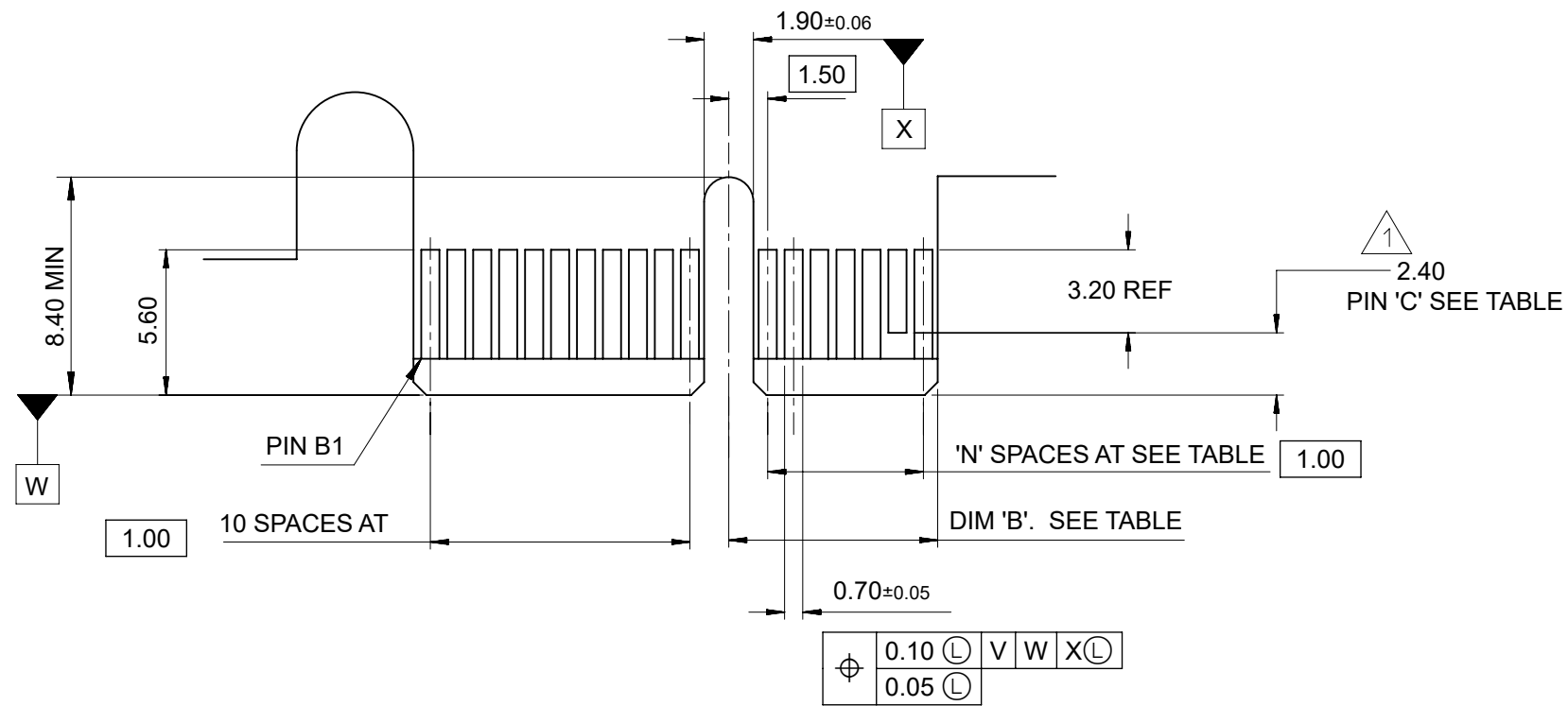
THIS DRAWING CONTAINS INFORMATION THAT IS PROPRIETARY TO MOLEX ELECTRONIC TECHNOLOGIES, LLC AND SHOULD NOT BE USED WITHOUT WRITTEN PERMISSION									
DIMENSION UNITS		SCALE		CURRENT REV DESC: OBSOLETE PART NUMBERS AS PER PCN 508518				molex	
mm		NTS							
GENERAL TOLERANCES (UNLESS SPECIFIED)									
		MM		INCH					
4 PLACES		±		±		EC NO: 671087			
3 PLACES		±		±		DRWN: RPRABHUM 2021/06/07			
2 PLACES		± 0.25		±		CHK'D: GGA 2021/08/06			
1 PLACE		± 0.25		±		APPR: GGA 2021/08/06			
0 PLACES		±		±		INITIAL REVISION:			
ANGULAR TOL		± 3.0°		±		DRWN: DAVID HU 2007/05/14			
						APPR: JENNY CHEN 2007/05/14			
DRAFT WHERE APPLICABLE MUST REMAIN WITHIN DIMENSIONS		THIRD ANGLE PROJECTION		DRAWING		SERIES		MATERIAL NUMBER	
		A3-SIZE		87715		SEE TABLE		GENERAL MARKET	
DOCUMENT STATUS		P1		RELEASE DATE		2021/08/06		10:26:02	



△ THE HORIZONTAL AXIS FOR THE HOLE PATTERN IS ESTABLISHED BY A LINE THROUGH THE CENTER OF THE TWO $\varnothing 2.35$ HOLES. THE VERTICAL AXIS IS 90° TO THE HORIZONTAL AXIS. THROUGH THE CENTER OF DATUM Z

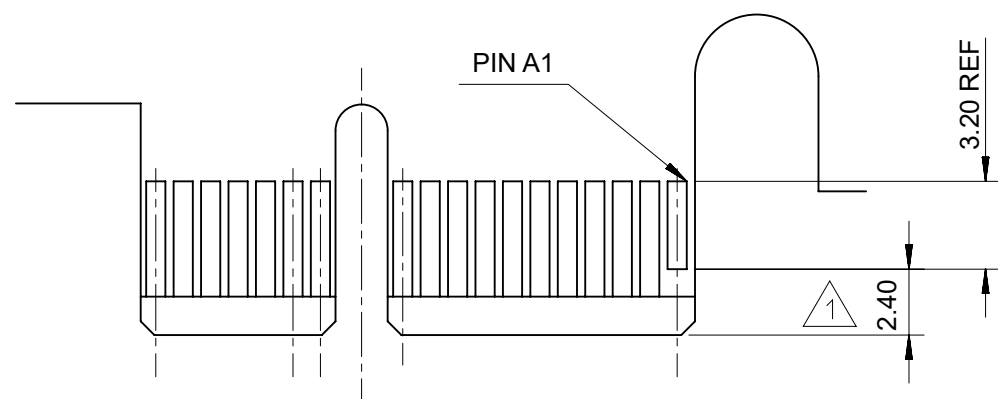
CONNECTOR LINK WIDTH	# POS REF	N	DIM 'A'
X1	36	6	9.15
X16	164	70	73.15

THIS DRAWING CONTAINS INFORMATION THAT IS PROPRIETARY TO MOLEX ELECTRONIC TECHNOLOGIES, LLC AND SHOULD NOT BE USED WITHOUT WRITTEN PERMISSION									
DIMENSION UNITS		SCALE		CURRENT REV DESC: OBSOLETE PART NUMBERS AS PER PCN 508518					
mm		NTS							
GENERAL TOLERANCES (UNLESS SPECIFIED)				EC NO: 671087		PCI EXPRESS		EDGE CARD CONNECTOR (LEAD FREE VERSION)	
				DRWN: RPRABHUM		2021/06/07			
				CHK'D: GGA		2021/08/06			
				APPR: GGA		2021/08/06		PRODUCT CUSTOMER DRAWING	
				INITIAL REVISION:		DOCUMENT NUMBER		DOC TYPE DOC PART REVISION	
				DRWN: DAVID HU		SD-87715-901		PSD 001 G	
				APPR: JENNY CHEN		2007/05/14			
DRAFT WHERE APPLICABLE MUST REMAIN WITHIN DIMENSIONS				THIRD ANGLE PROJECTION		DRAWING		SHEET NUMBER	
						A3-SIZE		2 OF 4	



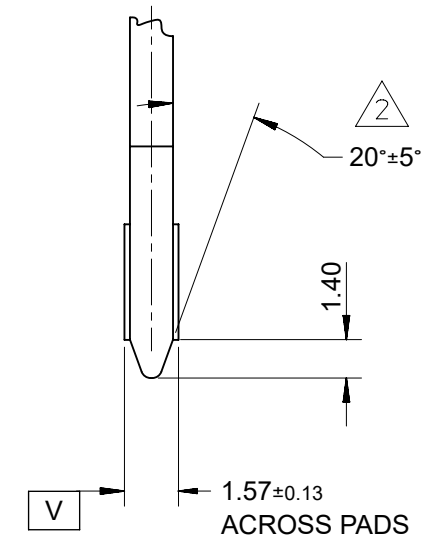
← I/O PANEL DIRECTION

PRIMARY (COMPONENT) SIDE



I/O PANEL DIRECTION →

SECONDARY (SOLDER) SIDE



1 NO TIE BAR PERMITTED FROM CARD EDGE TO LEADING EDGE OF PAD FOR PINS A1 AND "C".

2 CHAMFER EDGES MUST BE FREE OF CUTTING BURRS.

3 TOLERANCE: .XX±.13

CONNECTOR LINK WIDTH	# POS REF	N	DIM 'B'	'C' 1
X1	36	6	8.15	B17
X16	164	70	72.15	B17, B31 B48, B81

THIS DRAWING CONTAINS INFORMATION THAT IS PROPRIETARY TO MOLEX ELECTRONIC TECHNOLOGIES, LLC AND SHOULD NOT BE USED WITHOUT WRITTEN PERMISSION									
DIMENSION UNITS		SCALE		CURRENT REV DESC: OBSOLETE PART NUMBERS AS PER PCN 508518				molex	
mm		NTS							
GENERAL TOLERANCES (UNLESS SPECIFIED)				EC NO: 671087		2021/06/07		PCI EXPRESS	
				DRWN: RPRABHUM		2021/08/06		EDGE CARD CONNECTOR (LEAD FREE VERSION)	
4 PLACES ±				CHK'D: GGA		2021/08/06		PRODUCT CUSTOMER DRAWING	
3 PLACES ±				APPR: GGA		2021/08/06			
2 PLACES ± 0.25				INITIAL REVISION:				DOCUMENT NUMBER	
1 PLACE ± 0.25				DRWN: DAVID HU		2007/05/14		SD-87715-901	
0 PLACES ±				APPR: JENNY CHEN		2007/05/14		PSD 001 G	
ANGULAR TOL ± 3.0°				THIRD ANGLE PROJECTION		DRAWING		SERIES	
DRAFT WHERE APPLICABLE MUST REMAIN WITHIN DIMENSIONS				A3-SIZE		87715		MATERIAL NUMBER	
				GENERAL MARKET		CUSTOMER		SHEET NUMBER	
								3 OF 4	

MOLEX P/N	CIRCUIT SIZE	HOUSING MATERIAL	HOUSING COLOR	TERMINAL MATERIAL	CONTACT PLATING	SOLDER TAIL "D" LENGTH	PEG 1	PEG 2	DESCRIPTION	PACKAGING
87715-9002	36	NYLON46	BLACK	PHOSPHOR BRONZE	15 MICROINCH	2.54	WITH	WITH	TOOLED	TRAY
87715-9005					15 MICROINCH	3.00				
87715-9006					30 MICROINCH	2.54				

MOLEX P/N	CIRCUIT SIZE	HOUSING MATERIAL	HOUSING COLOR	TERMINAL MATERIAL	CONTACT PLATING	SOLDER TAIL "D" LENGTH	PEG 1	PEG 2	DESCRIPTION	PACKAGING
87715-9302	164	NYLON46	BLACK	PHOSPHOR BRONZE	15 MICROINCH	2.54	WITH	WITH	TOOLED	TRAY
87715-9305					15 MICROINCH	3.00				
87715-9306					30 MICROINCH	2.54				

THIS DRAWING CONTAINS INFORMATION THAT IS PROPRIETARY TO MOLEX ELECTRONIC TECHNOLOGIES, LLC AND SHOULD NOT BE USED WITHOUT WRITTEN PERMISSION											
DIMENSION UNITS		SCALE		CURRENT REV DESC: OBSOLETE PART NUMBERS AS PER PCN 508518						molex	
mm		NTS									
GENERAL TOLERANCES (UNLESS SPECIFIED)						EC NO: 671087		PCI EXPRESS		EDGE CARD CONNECTOR (LEAD FREE VERSION)	
						DRWN: RPRABHUM		2021/06/07			
						CHK'D: GGA		2021/08/06			
						APPR: GGA		2021/08/06		PRODUCT CUSTOMER DRAWING	
						INITIAL REVISION:				DOCUMENT NUMBER	
						DRWN: DAVID HU		2007/05/14		SD-87715-901	
						APPR: JENNY CHEN		2007/05/14		DOC TYPE	
						ANGULAR TOL ± 3.0°				PSD	
						DRAFT WHERE APPLICABLE MUST REMAIN WITHIN DIMENSIONS				DOC PART	
						THIRD ANGLE PROJECTION				001	
						DRAWING		SERIES		REVISION	
						A3-SIZE		87715		G	
						MATERIAL NUMBER		CUSTOMER		SHEET NUMBER	
						SEE TABLE		GENERAL MARKET		4 OF 4	

DOCUMENT STATUS	P1	RELEASE DATE	2021/08/06	10:26:02
-----------------	----	--------------	------------	----------