



产品编号 : 877601016

Product Description : 2.00mm Pitch Milli-Grid Header, Right-Angle, Through Hole, 10 Circuits, 0.38µm Gold (Au) Selective Plating, Tray, Lead-Free

系列号 : 87760

状态 : Active

Product Category : PCB Headers and Receptacles

文件和资源

图纸

图纸 877601016_sd.pdf

包装设计图 PK-89990-487-001.pdf

3D 模型和设计文件

3D模型 877601016_stp.zip

规格


应用规格 503940001-AS-000.pdf

产品规格 PS-87761-100-001.pdf

测试摘要 877610000-TS-000.pdf

产物环境合规

合规

GADSL/IMDS	Not Relevant
China RoHS	
EU ELV	Not Relevant
Low-Halogen Status	Not Low-Halogen per IEC 61249-2-21
REACH SVHC	Not Contained per D(2023)8585-DC (23 Jan 2024)
EU RoHS	Compliant per EU 2015/863

多部分产品合规性声明

- Eu RoHS
- REACH SVHC
- Low-Halogen
- IPC 1752A Class C

- IPC 1752A Class D
- Molex Product Compliance Declaration
- IEC-62474
- chemSHERPA (xml)

欧盟 RoHS 合格证书

产品详情

常规

状态	活动
类别	PCB Headers and Receptacles
系列	87760
说明	2.00mm Pitch Milli-Grid Header, Right-Angle, Through Hole, 10 Circuits, 0.38µm Gold (Au) Selective Plating, Tray, Lead-Free
应用	Board-to-Board, Signal, Wire-to-Board
个评论	Lead-Free version of 87049 series
元件类型	PCB Header
产品系列	Milli-Grid Connector System
产品名称	Milli-Grid
UPC	822348273690

机构

CSA	LR19980
UL	E29179

电气

每触点最大电流	2.0A
电压 - 最大	125V

物理

断开	否
回路数 (已载入)	10
电路数 (最多)	10
颜色-树脂	黑色

先接后断	否
阻燃性	94V-0
符合灼热丝规范	否
可配插产品指南	否
插接极性	无
锁定插接部位	无
插配长度	4.00mm
材料 - 金属	Phosphor Bronze
材料 - 接合部位电镀	金牌
材料 - 终端电镀	Tin
材料 - 树脂	High Temperature Thermoplastic
净重	0.405/g
行数	2
方向	Right Angle
包装形式	Tray
PC 焊脚长度	2.60mm
PCB 定位器	否
PCB 保持力	无
推荐的 PCB 厚度	1.60mm
间距 - 插配接口	2.00mm
间距 - 终端界面	2.00mm
最薄镀层 - 接合部位	0.381 μ m
最薄镀层 - 端接	1.905 μ m
有极性的插配件	否
PCB 极性	否
有护墙的	否
可堆叠的	是
运行温度范围	-55° to +105° C
终端界面类型	Through Hole

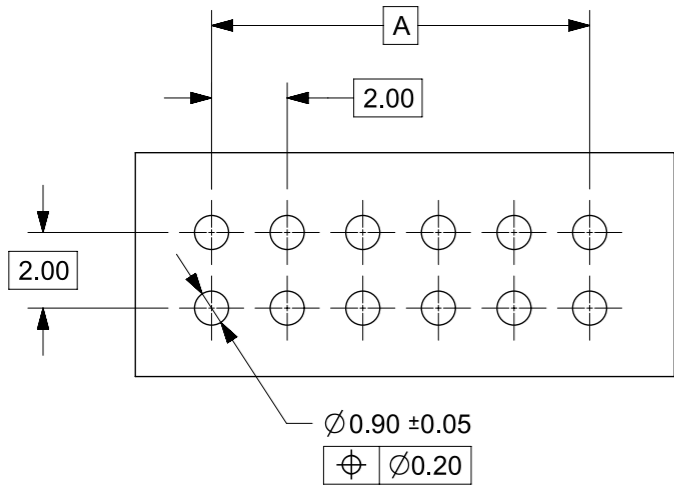
进程

最长持续时间	14
无铅	WAVE
最大周期	1
最高温度	265

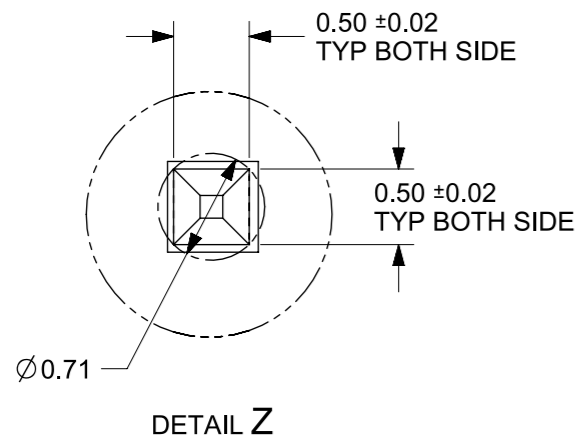
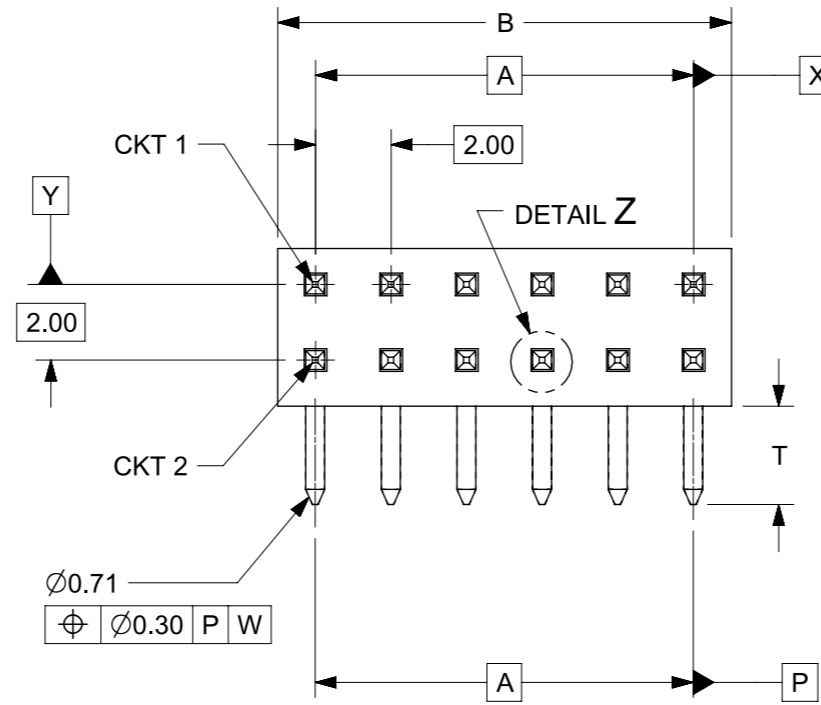
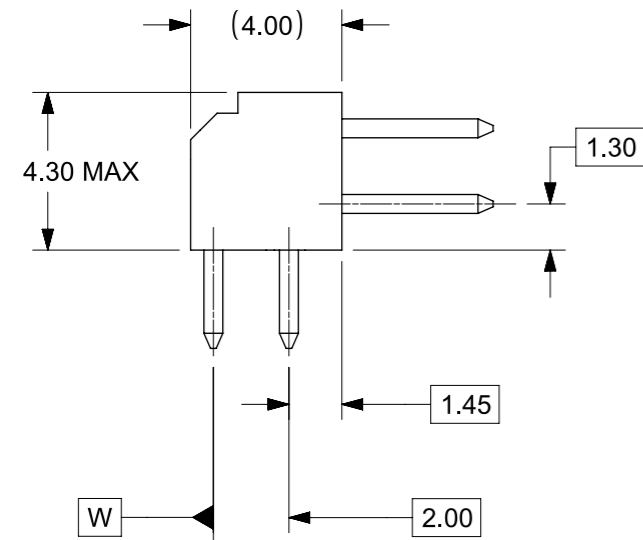
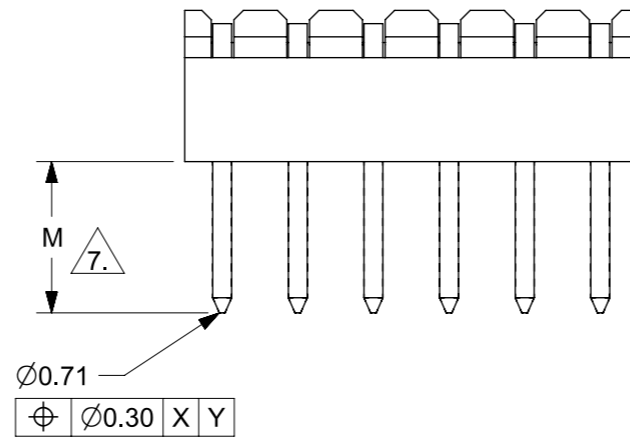
可配插/可连接使用的产品

可配插部件

描述	产品编号
Milli-Grid Vertical Through Hole PCB Receptacles	<u>78787</u>
Milli-Grid Vertical Through Hole PCB Receptacles	<u>79107</u>
Milli-Grid Vertical Through Hole PCB Receptacles	<u>79108</u>
Milli-Grid Top Entry Surface Mount PCB Receptacles	<u>78788</u>
Milli-Grid Top/Bottom Entry Surface Mount PCB Receptacles	<u>79109</u>
Milli-Grid Top Entry Surface Mount PCB Receptacles	<u>87381</u>
Milli-Grid Side Entry Through Hole PCB Receptacles	<u>87264</u>



RECOMMENDED PCB LAYOUT



NOTES:

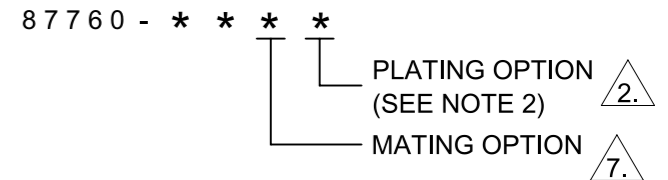
1. MATERIAL:
HSG: PCT, 30% GLASS FILLED, UL 94V-0, COLOUR BLACK.
PIN: 0.50MM SQ PHOSPHOR BRONZE 510
2. PLATING:
***5 - 0.05µm MIN - 0.25µm MAX GOLD IN CONTACT AREA, 2.00µm MIN TIN IN SOLDERTAIL AREA, BOTH OVER 1.25µm MIN NICKEL OVERALL

***6 - 0.38µm MIN GOLD IN CONTACT AREA, 2.00µm MIN TIN IN SOLDERTAIL AREA, BOTH OVER 1.25µm MIN NICKEL OVERALL



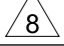
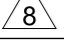
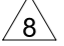
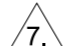

***7 - 0.76µm MIN GOLD IN CONTACT AREA, 2.00µm MIN TIN IN SOLDERTAIL AREA, BOTH OVER 1.25µm MIN NICKEL OVERALL

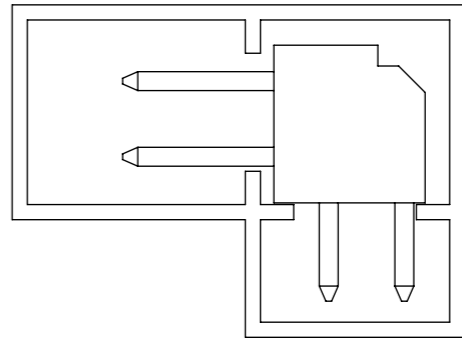
***8 - 2.54µm MIN TIN OVER 1.25µm MIN NICKEL OVERALL
3. 12 CKT USED FOR ILLUSTRATION ONLY
4. PART TO BE PACKED IN POCKET TRAY/TUBE (SEE TABLE).
5. PRODUCT SPEC PS-87761-100 APPLIES.
6. RECOMMENDED PCB BOARD THK 1.60±0.10 MM.
7. MATING LENGTH: 1 - 4.00MM
2 - 3.50MM
3 - 3.06MM
4 - 5.75MM
8. PART NUMBERS THAT ARE UNAVAILABLE IN THIS SD: 87760-0646, 87760-1046, 87760-1446, 87760-2446, 87760-4046. (REFER TO SD-87760-133 FOR THESE PART NUMBERS)

LEGEND:

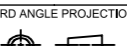


THIS DRAWING CONTAINS INFORMATION THAT IS PROPRIETARY TO MOLEX ELECTRONIC TECHNOLOGIES, LLC AND SHOULD NOT BE USED WITHOUT WRITTEN PERMISSION											
DIMENSION UNITS		SCALE		CURRENT REV DESC:						molex	
mm		NTS									
GENERAL TOLERANCES (UNLESS SPECIFIED)				EC NO: 756033		DRWN: SUAIFR		2023/05/23		MGRID, 2MM DUAL ROW HDR. R/A	
4 PLACES ±				CHK'D: SUAIFR		2023/07/07		PRODUCT CUSTOMER DRAWING			
3 PLACES ±				APPR: MRAMAKRISHNA		2023/07/10		DOCUMENT NUMBER		DOC TYPE DOC PART REVISION	
2 PLACES ± 0.2				INITIAL REVISION:		DRWN: KSEE		2003/10/15		SD-87760-109 PSD 001 A18	
1 PLACE ±				ANGULAR TOL ± 3.0°		APPR: SKTOH		2003/12/11			
DRAFT WHERE APPLICABLE MUST REMAIN WITHIN DIMENSIONS				THIRD ANGLE PROJECTION		DRAWING		SERIES		MATERIAL NUMBER CUSTOMER SHEET NUMBER	
				A3-SIZE		87760		SEE TABLE		GENERAL MARKET 1 OF 3	


PART NUMBER	VOID PIN LOCATION	CKT SIZE	A	B	M	T	PACKAGING TYPE
87760-04**	-	4	2.00	4.00			
87760-06** 	-	6	4.00	6.00			
87760-08**	-	8	6.00	8.00			
87760-10** 	-	10	8.00	10.00			
87760-12** 	-	12	10.00	12.00			
87760-14** 	-	14	12.00	14.00			
87760-16**	-	16	14.00	16.00			
87760-18**	-	18	16.00	18.00			
87760-20**	-	20	18.00	20.00			
87760-22**	-	22	20.00	22.00			
87760-24** 	-	24	22.00	24.00			
87760-26**	-	26	24.00	26.00			
87760-28**	-	28	26.00	28.00	REFER TO NOTE 	2.60	TRAY
87760-30**	-	30	28.00	30.00			
87760-32**	-	32	30.00	32.00			
87760-34**	-	34	32.00	34.00			
87760-36**	-	36	34.00	36.00			
87760-38**	-	38	36.00	38.00			
87760-40** 	-	40	38.00	40.00			
87760-42**	-	42	40.00	42.00			
87760-44**	-	44	42.00	44.00			
87760-46**	-	46	44.00	46.00			
87760-48**	-	48	46.00	48.00			
87760-50**	-	50	48.00	50.00			




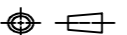
PART IN TUBE

THIS DRAWING CONTAINS INFORMATION THAT IS PROPRIETARY TO MOLEX ELECTRONIC TECHNOLOGIES, LLC AND SHOULD NOT BE USED WITHOUT WRITTEN PERMISSION									
DIMENSION UNITS		SCALE		CURRENT REV DESC:				molex	
mm		NTS							
GENERAL TOLERANCES (UNLESS SPECIFIED)				EC NO: 756033		MGRID, 2MM DUAL ROW HDR.		R/A	
		MM	INCH	DRWN: SUAIFR		2023/05/23			
4 PLACES		±	±	CHK'D: SUAIFR		2023/07/07			
3 PLACES		±	±	APPR: MRAMAKRISHNA		2023/07/10		PRODUCT CUSTOMER DRAWING	
2 PLACES		± 0.2	±	INITIAL REVISION:		DOCUMENT NUMBER		DOC TYPE	DOC PART
1 PLACE		±	±	DRWN: KSEE		2003/10/15		REVISION	
0 PLACES		±	±	APPR: SKTOH		2003/12/11		SD-87760-109	
ANGULAR TOL		± 3.0°		THIRD ANGLE PROJECTION		DRAWING	SERIES	MATERIAL NUMBER	CUSTOMER
DRAFT WHERE APPLICABLE MUST REMAIN WITHIN DIMENSIONS				A3-SIZE	87760	SEE TABLE	GENERAL MARKET	SHEET NUMBER	
								2 OF 3	

9 8 7 6 5 4 3 2 1

PART NUMBER	VOID PIN LOCATION	CKT SIZE	A	B	M	T	PACKAGING TYPE
87760-5116	5, 6 & 26	50	48.00	50.00	REFER TO NOTE 	2.60	TUBE
87760-531*	-	24	22.00	24.00		1.50	TRAY
87760-5216	-	04	2.00	4.00		2.60	TUBE
87760-5416	-	20	18.00	20.00			
87760-5248	-	28	26.00	28.00			
87760-5516	5, 6, 7, 8, 9, 10, 15, 16, 17, 18, 19, 20, 25, 26, 27, 28, 29, 30	34	32.00	34.00			
87760-0856	-	08	6.00	8.00	2.60	2.10	TRAY

A18

THIS DRAWING CONTAINS INFORMATION THAT IS PROPRIETARY TO MOLEX ELECTRONIC TECHNOLOGIES, LLC AND SHOULD NOT BE USED WITHOUT WRITTEN PERMISSION											
DIMENSION UNITS		SCALE		CURRENT REV DESC:				 MGRID, 2MM DUAL ROW HDR. R/A			
mm		NTS									
GENERAL TOLERANCES (UNLESS SPECIFIED)				EC NO: 756033				DOCUMENT NUMBER: SD-87760-109 DOC TYPE: PSD DOC PART: 001 REVISION: A18			
				DRWN: SUAIFR 2023/05/23							
4 PLACES ±		±		CHK'D: SUAIFR 2023/07/07							
3 PLACES ±		±		APPR: MRAMAKRISHNA 2023/07/10							
2 PLACES ±		0.2 ±		INITIAL REVISION:							
1 PLACE ±		±		DRWN: KSEE 2003/10/15							
0 PLACES ±		±		APPR: SKTOH 2003/12/11							
ANGULAR TOL ±		3.0°		DRAFT WHERE APPLICABLE MUST REMAIN WITHIN DIMENSIONS							
THIRD ANGLE PROJECTION		DRAWING		SERIES		MATERIAL NUMBER		CUSTOMER		SHEET NUMBER	
		A3-SIZE		87760		SEE TABLE		GENERAL MARKET		3 OF 3	

DOCUMENT STATUS | P1 | RELEASE DATE | 2023/07/10 05:30:26

9 8 7 6 5 4 3 2 1

FORMAT: Mef-Reg-Header-master-0-prod-A3
REVISION: 0
DATE: 2017/10/06