



产品编号 : 878320628

Product Description : 2.00mm Pitch, Milli-Grid PCB Header, Dual Row, Vertical, Surface Mount, Shrouded, Lead-Free, 6 Circuits, 0.38µm Gold (Au) Plating, without PCB Locator, with Locking Window, with Pick-and-Place Cap, Tape and Reel

系列号 : 87832

状态 : Active

Product Category : PCB Headers and Receptacles

文件和资源

图纸

图纸 878320628_sd.pdf

包装设计图 PK-87831-001-001.pdf

包装设计图 PK-87832-300-001.pdf

3D 模型和设计文件

3D模型 878320628_stp.zip


规格

应用规格 503940001-AS-000.pdf

产品规格 PS-87831-027-001.pdf

产物环境合规

合规

GADSL/IMDS	Compliant with Exemption 44; 34; 33
China RoHS	
EU ELV	Not Relevant
Low-Halogen Status	Not Low-Halogen per IEC 61249-2-21
REACH SVHC	Not Contained per D(2023)8585-DC (23 Jan 2024)
EU RoHS	Compliant per EU 2015/863

多部分产品合规性声明

- Eu RoHS
- REACH SVHC
- Low-Halogen

- IPC 1752A Class C
- IPC 1752A Class D
- Molex Product Compliance Declaration
- IEC-62474
- chemSHERPA (xml)

欧盟 RoHS 合格证书

产品详情

常规

状态	活动
类别	PCB Headers and Receptacles
系列	87832
说明	2.00mm Pitch, Milli-Grid PCB Header, Dual Row, Vertical, Surface Mount, Shrouded, Lead-Free, 6 Circuits, 0.38µm Gold (Au) Plating, without PCB Locator, with Locking Window, with Pick-and-Place Cap, Tape and Reel
应用	Signal, Wire-to-Board
个评论	With Cap, Contact Molex for application in automotive industry
元件类型	PCB Header
产品系列	Milli-Grid Connector System
产品名称	Milli-Grid
UPC	822348353941

机构

CSA	LR19980
UL	E29179

电气

每触点最大电流	2.0A
电压 - 最大	125V

物理

断开	否
----	---

回路数 (已载入)	6
电路数 (最多)	6
颜色-树脂	黑色
耐用性(插拔次数) - 最多次数	100
先接后断	否
阻燃性	94V-0
符合灼热丝规范	否
可配插产品指南	否
插接极性	是
锁定插接部位	是
材料 - 金属	Phosphor Bronze
材料 - 接合部位电镀	金牌
材料 - 终端电镀	Tin
材料 - 树脂	Nylon
净重	0.306/g
行数	2
方向	垂直
包装形式	Embossed Tape on Reel
PCB 定位器	否
PCB 保持力	无
间距 - 插配接口	2.00mm
间距 - 终端界面	2.00mm
最薄镀层 - 接合部位	0.381µm
最薄镀层 - 端接	1.905µm
PCB 极性	否
有护墙的	Fully
可堆叠的	否
运行温度范围	-55° to +105° C
终端界面类型	Surface Mount

进程

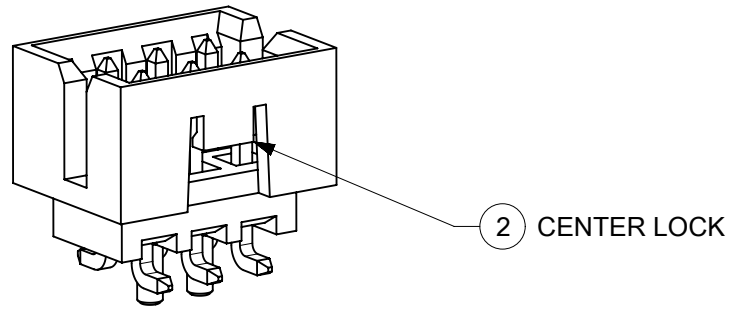
最长持续时间	10
无铅	REFLOW
最大周期	1
最高温度	260

可配插/可连接使用的产品

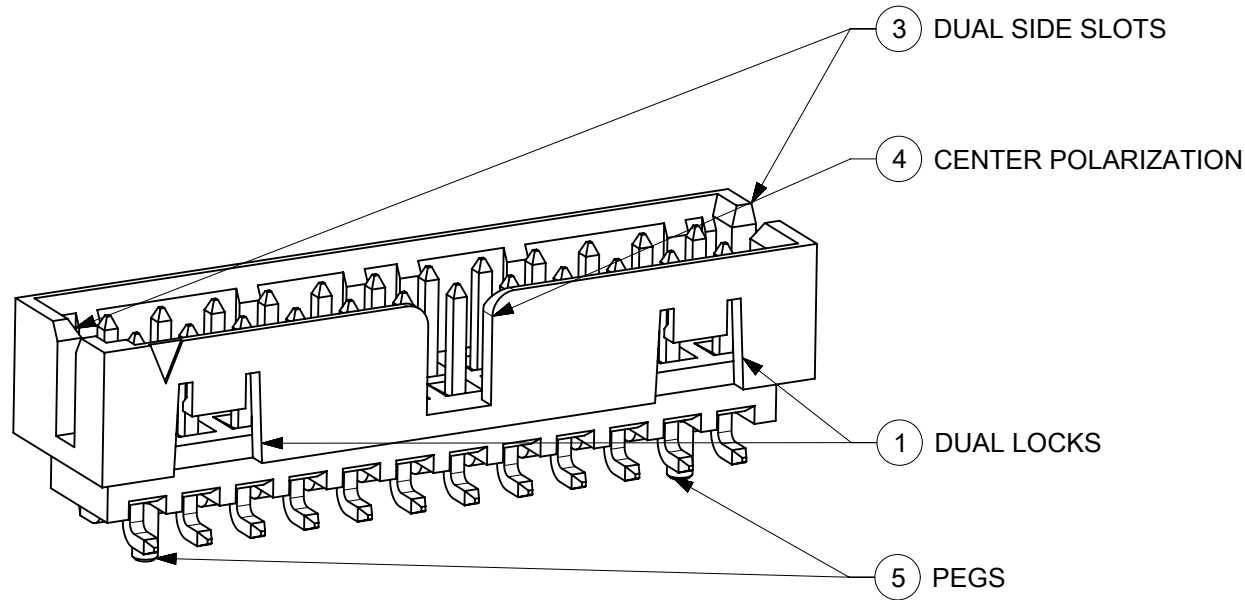
可配插部件

描述	产品编号
Milli-Grid Dual Row Receptacle Housings	<u>51110</u>
Milli-Grid Vertical Through Hole PCB Receptacles	<u>78787</u>
Milli-Grid Top Entry Surface Mount PCB Receptacles	<u>78788</u>
Milli-Grid Vertical Through Hole PCB Receptacles	<u>79107</u>
Milli-Grid Vertical Through Hole PCB Receptacles	<u>79108</u>
Milli-Grid Top/Bottom Entry Surface Mount PCB Receptacles	<u>79109</u>
Milli-Grid Dual Row Cable-to-Board Receptacles	<u>87568</u>

FEATURES SELECTION GUIDE



2 CENTER LOCK



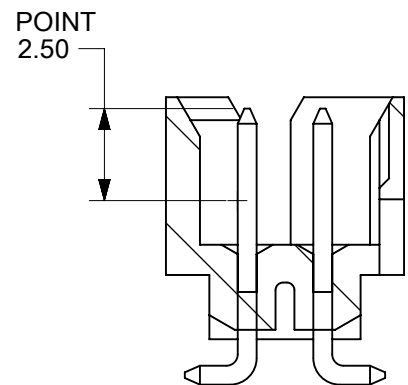
3 DUAL SIDE SLOTS

4 CENTER POLARIZATION

1 DUAL LOCKS

5 PEGS

PLATING MEASUREMENT

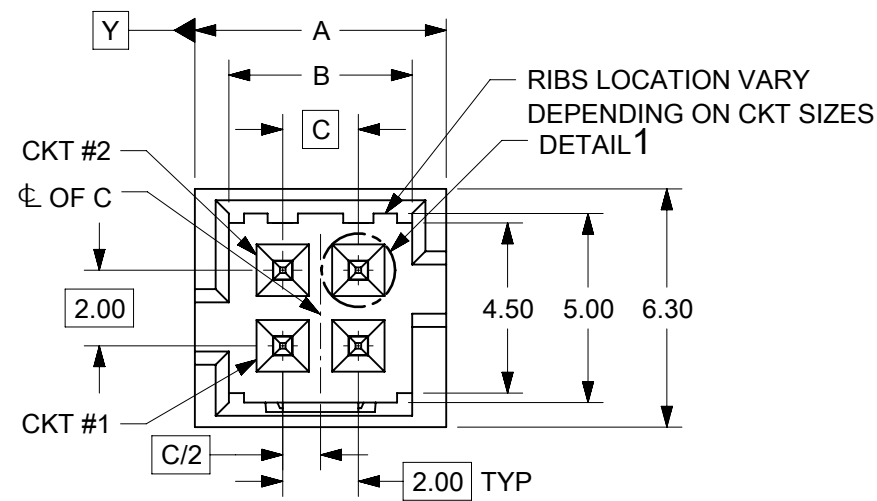


CIRCUIT SIZE	FEATURES					SHEET NO
	FRICTION LOCKS		DUAL SIDE SLOTS	CENTER POLARIZATION	PEGS	
	1 DUAL	2 CENTER				
4	N.A	N.A	YES	N.A	N.A	2 - 3
	N.A	YES	YES	N.A	N.A	
6	N.A	N.A	YES	N.A	N.A	4 - 5
	N.A	N.A	YES	N.A	YES	
	N.A	N.A	YES	YES	N.A	
	N.A	YES	YES	N.A	N.A	
	N.A	YES	YES	N.A	YES	
8 TO 12	N.A	N.A	YES	YES	YES	6 - 7
	N.A	N.A	YES	YES	N.A	
	N.A	YES	YES	N.A	YES	
14 TO 50	YES	N.A	YES	YES	N.A	8 - 11
	YES	N.A	YES	YES	YES	

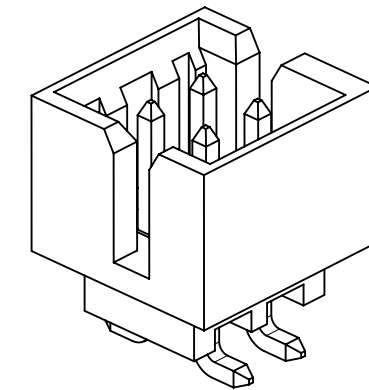
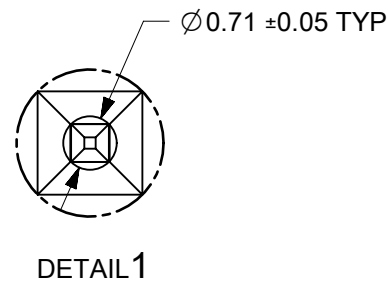
THIS DRAWING CONTAINS INFORMATION THAT IS PROPRIETARY TO MOLEX ELECTRONIC TECHNOLOGIES, LLC AND SHOULD NOT BE USED WITHOUT WRITTEN PERMISSION

EC NO: 787294 DRWN: SUAIFR CHKD: SUAIFR REV APPR: MIRAMAKRISHNA	GENERAL TOLERANCES (UNLESS SPECIFIED)		DIMENSION UNITS	SCALE					
			MM	NTS					
	2024/05/23	2024/05/24	2024/05/24	DRWN BY	DATE	MILLIGRID 2MM PITCH, SMT VERTICAL SHROUDED HEADER			
				GMENARLY	2015/05/22				
				CHK'D BY	DATE				
				CGOH	2015/09/21	PRODUCT CUSTOMER DRAWING			
			APPR BY	DATE					
			KHLIM	2015/09/22	SERIES	MATERIAL NUMBER	CUSTOMER		
			ANGULAR TOL = 3.0	DRAWING SIZE	THIRD ANGLE PROJECTION	87832	SEE TABLE	GENERAL MARKET	
			DRAFT WHERE APPLICABLE MUST REMAIN WITHIN DIMENSIONS	A3		DOCUMENT NUMBER	DOC TYPE	DOC PART	SHEET NUMBER
A24						SD-87832-0001	PSD	001	1 OF 13

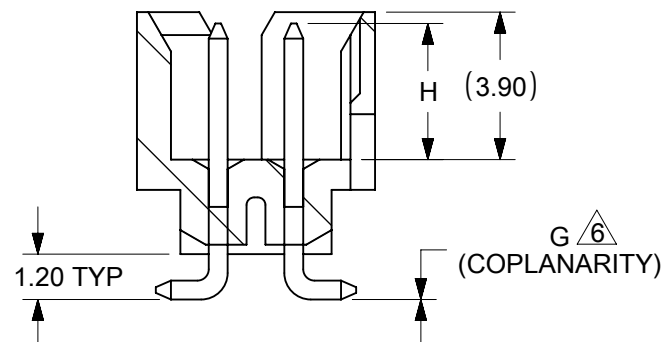
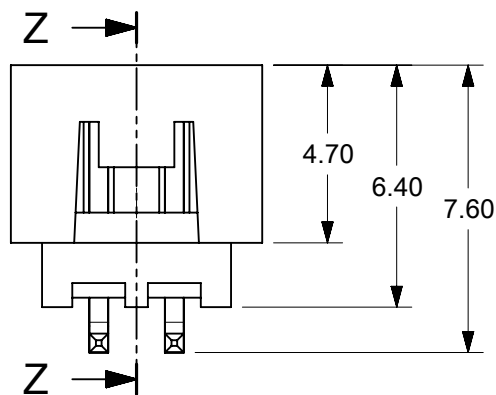
RELEASE STATUS	P1	RELEASE DATE	2024/05/24	12:12:41
----------------	----	--------------	------------	----------



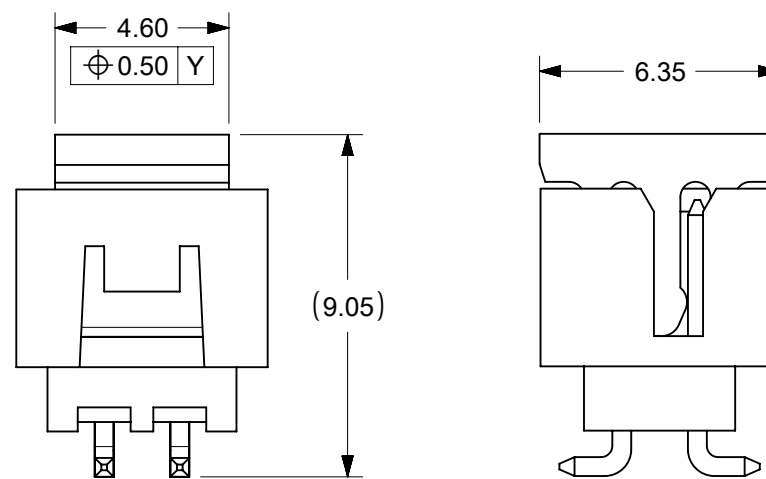
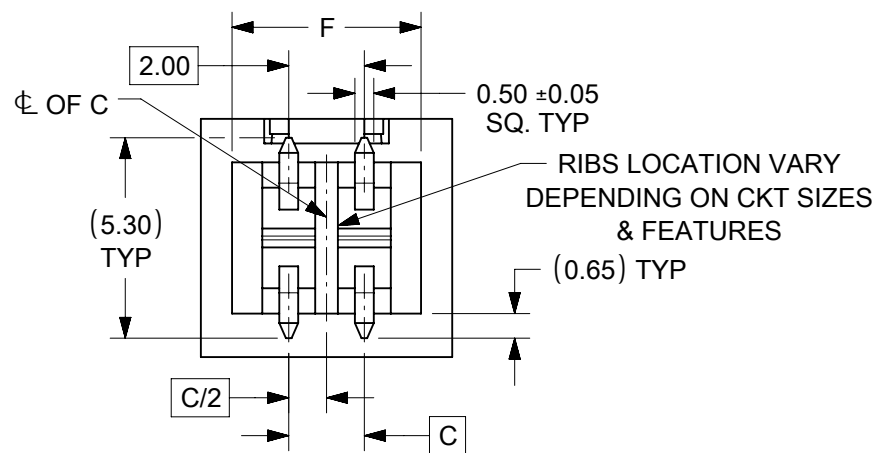
4 CIRCUITS



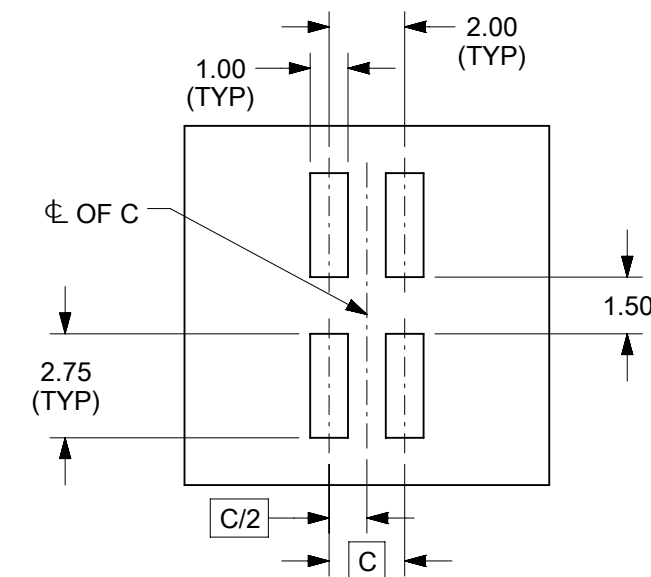
ISO VIEW OF HEADER WITH ONLY DUAL SLOTS



SECTION Z-Z



VIEW FOR HEADER WITH CAP



RECOMMENDED PCB LAYOUT

NOTES:

- MATERIALS:**
HOUSING & CAP: 30% GF, NYLON, UL94V-0, COLOR: BLACK
PIN: 0.50mm SQ. PHOSPHOR BRONZE
- FINISHES:** REFER TO PLATING OPTIONS
- PRODUCT SPECIFICATION:** PS-87831-027
- PACKAGING SPECIFICATION:** SEE PACKAGING SPECS TABLE ON SHEET 12
- MATES WITH:** A. MOLEX CRIMP RECEPTACLE HOUSING: 51110 SERIES AND CRIMP TERMINAL: 50394 SERIES
B. MOLEX 2mm MILLIGRID DUAL ROW IDT: 87568 SERIES
C. MOLEX 2mm MILLIGRID DUAL ROW RECEPTACLE: 79107 (GOLD PLATED), 78787 (TIN PLATED)
- COPLANARITY IS TO BE MEASURED BY RESTING THE SOLDER TAIL ON A GAUGE SURFACE
- BEND DEPRESSION ON SMT TAIL IS ACCEPTABLE SO LONG AS IT DOES NOT AFFECT THE OVERALL COPLANARITY
- TOP SURFACE OF CAP TO BE FLAT FOR THE PURPOSE OF PICK & PLACE BY VACUUM SUCTION NOZZLE

THIS DRAWING CONTAINS INFORMATION THAT IS PROPRIETARY TO MOLEX ELECTRONIC TECHNOLOGIES, LLC AND SHOULD NOT BE USED WITHOUT WRITTEN PERMISSION

EC NO: 787294 DRWN: SUAIFR CHKD: SUAIFR REV APPR: MIRAMAKRISHNA	2024/05/23	GENERAL TOLERANCES (UNLESS SPECIFIED)		DIMENSION UNITS	SCALE		
	2024/05/24	MM	INCH	MM	NTS		
	2024/05/24	4 PLACES ±	±	DRWN BY	DATE		MILLIGRID 2MM PITCH, SMT VERTICAL SHROUDED HEADER
		3 PLACES ±	±	GMENARLY	2015/05/22		
	2 PLACES ± 0.2	±	CHK'D BY	DATE			
	1 PLACES ±	±	CGOH	2015/09/21			
	0 PLACES ±	±	APPR BY	DATE	PRODUCT CUSTOMER DRAWING		
	ANGULAR TOL = 3.0		KHLIM	2015/09/22			
	DRAFT WHERE APPLICABLE MUST REMAIN WITHIN DIMENSIONS		DRAWING SIZE	THIRD ANGLE PROJECTION			
			A3				
RELEASE STATUS: P1 RELEASE DATE: 2024/05/24 12:12:41	A24		SERIES: 87832 MATERIAL NUMBER: SEE TABLE CUSTOMER: GENERAL MARKET	DOCUMENT NUMBER: SD-87832-0001 DOC TYPE: PSD DOC PART: 001 SHEET NUMBER: 2 OF 13			

4 CIRCUITS

CKT SIZE	ASSY P/N WITHOUT CAP IN TUBE	ASSY P/N WITH CAP IN TUBE	ASSY P/N WITH CAP IN T&R	T&R OPTIONS (SEE SHEET 12)	PLATING OPTIONS	FRICTION LOCKS		DUAL SIDE SLOTS	CENTER POLARIZATION	PEGS	DIMENSION							
						DUAL	CENTER				A	B	C	D	E	F	G (COPLAN)	H
4	87832-0460	87832-0462	87832-5162	1	1	N.A	N.A	YES	N.A	N.A	6.65	4.85	2.00	N.A	N.A	5.00	0.10	3.60±0.20
	87832-0420	87832-0422	87832-5122	1	2													
	87832-0421	87832-0423	87832-5123	1	3													
	87832-0470	87832-0472	87832-5172	1	4	N.A	YES	YES	N.A	N.A							0.10	
	87832-0410	87832-0408	87832-0406	1	2													
			87832-5106	2	2													
		87832-0411	87832-0409	87832-0407	1	3	N.A	YES	YES	N.A							N.A	
	87832-0404	N.A	N.A	N.A	2	0.10												

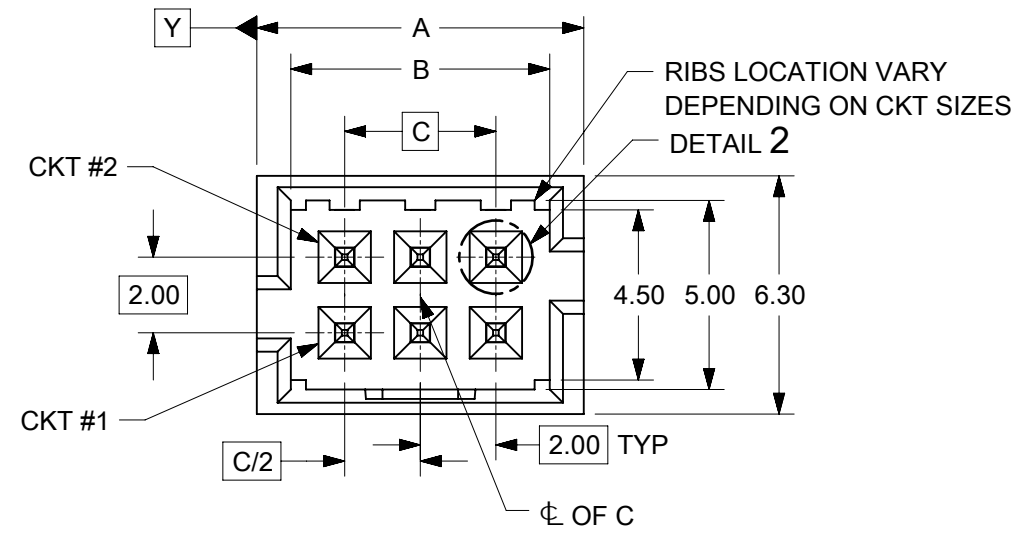
PLATING OPTIONS:

- 1 - 0.05-0.13µm/2-5µin GOLD IN CONTACT AREA AND 1.88µm/75µin MIN. MATTE TIN IN SOLDER TAIL AREA OVER 1.27µm/50µin MIN. NICKEL OVERALL.
- 2 - 0.38µm/15µin MIN. GOLD IN CONTACT AREA AND 1.88µm/75µin MIN. MATTE TIN IN SOLDER TAIL AREA OVER 1.27µm/50µin MIN. NICKEL OVERALL.
- 3 - 0.76µm/30µin MIN. GOLD IN CONTACT AREA AND 1.88µm/75µin MIN. MATTE TIN IN SOLDER TAIL AREA OVER 1.27µm/50µin MIN. NICKEL OVERALL.
- 4 - 2.50µm/100µin MIN. MATTE TIN OVER 1.25µm/50µin MIN. NICKEL OVERALL.

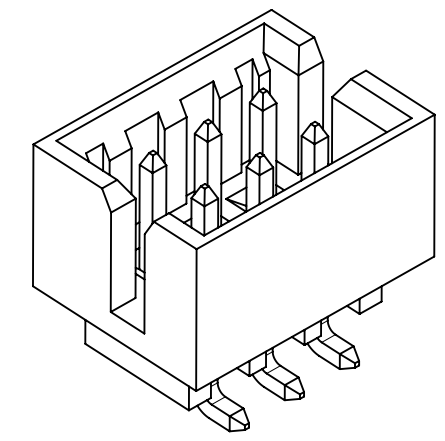
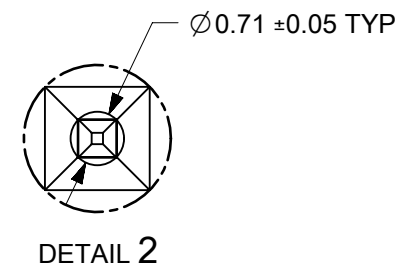
THIS DRAWING CONTAINS INFORMATION THAT IS PROPRIETARY TO MOLEX ELECTRONIC TECHNOLOGIES, LLC AND SHOULD NOT BE USED WITHOUT WRITTEN PERMISSION

EC NO: 787294 DRWN: SUAIFR CHKD: SUAIFR REV APPR: MIRAMAKRISHNA	GENERAL TOLERANCES (UNLESS SPECIFIED)		DIMENSION UNITS		SCALE		molex®				
			MM	INCH	MM	NTS					
	2024/05/23	2024/05/24	2024/05/24	DRWN BY		DATE		MILLIGRID 2MM PITCH, SMT VERTICAL SHROUDED HEADER			
				GMENARLY		2015/05/22					
				CHK'D BY		DATE					
				CGOH		2015/09/21		PRODUCT CUSTOMER DRAWING			
			APPR BY		DATE						
			KHLIM		2015/09/22		SERIES	MATERIAL NUMBER	CUSTOMER		
			ANGULAR TOL = 3.0		DRAWING SIZE	THIRD ANGLE PROJECTION	87832	SEE TABLE	GENERAL MARKET		
			DRAFT WHERE APPLICABLE MUST REMAIN WITHIN DIMENSIONS		A3		DOCUMENT NUMBER		DOC TYPE	DOC PART	SHEET NUMBER
							SD-87832-0001		PSD	001	3 OF 13

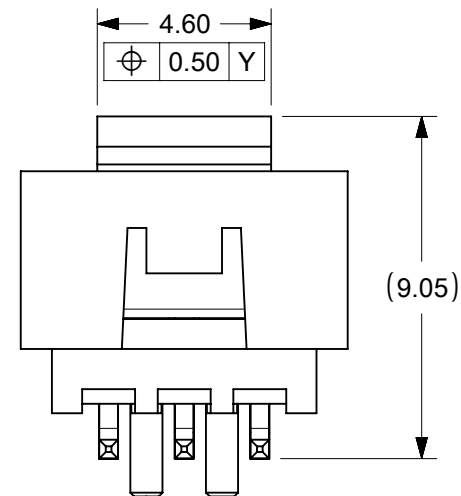
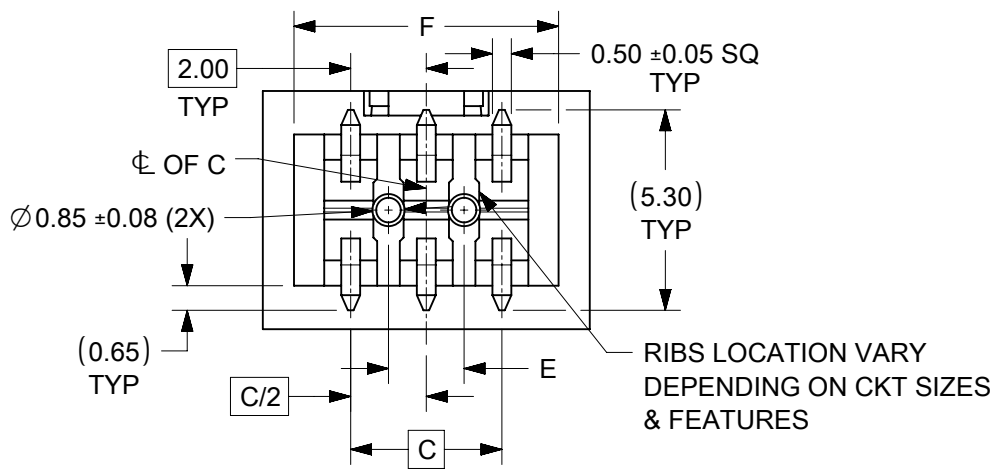
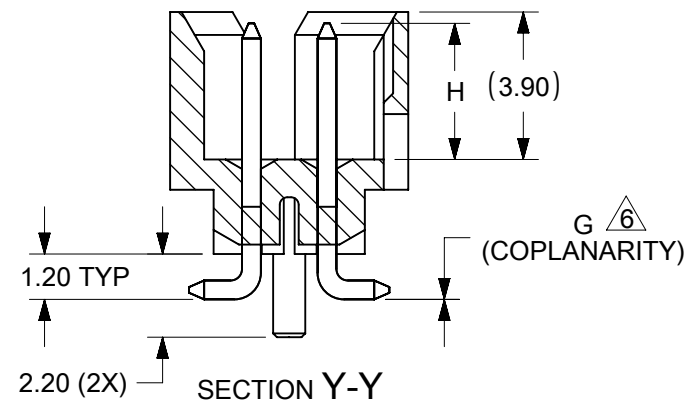
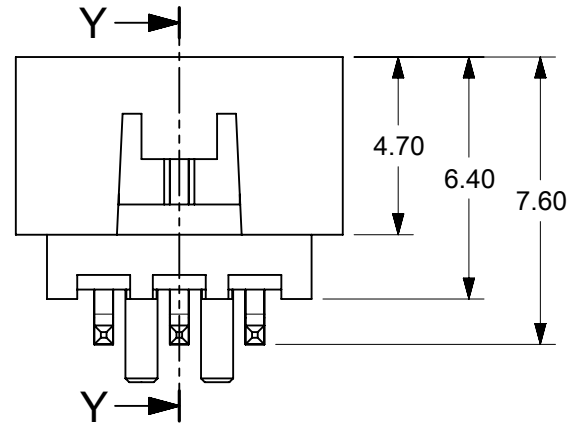
RELEASE STATUS	P1	RELEASE DATE	2024/05/24	12:12:41
----------------	----	--------------	------------	----------



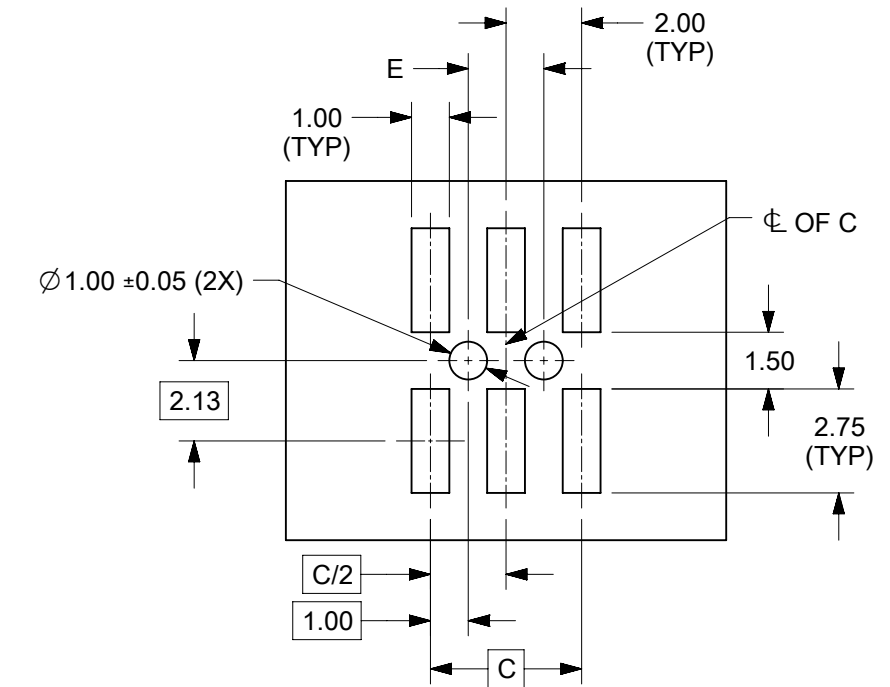
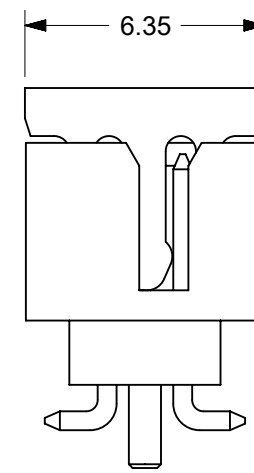
6 CIRCUITS



VIEW FOR HEADER WITH ONLY DUAL SLOTS



VIEW FOR HEADER WITH CAP



RECOMMENDED PCB LAYOUT

- NOTES:**
- MATERIALS:**
HOUSING & CAP: 30% GF, NYLON, UL94V-0, COLOR: BLACK
PIN: 0.50mm SQ. PHOSPHOR BRONZE
 - FINISHES:** REFER TO PLATING OPTIONS
 - PRODUCT SPECIFICATION:** PS-87831-027
 - PACKAGING SPECIFICATION:** SEE PACKAGING SPECS TABLE ON SHEET 12
 - MATES WITH:** A. MOLEX CRIMP RECEPTACLE HOUSING: 51110 SERIES AND CRIMP TERMINAL: 50394 SERIES
B. MOLEX 2mm MILLIGRID DUAL ROW IDT: 87568 SERIES
C. MOLEX 2mm MILLIGRID DUAL ROW RECEPTACLE: 79107 (GOLD PLATED), 78787 (TIN PLATED)
- 6** COPLANARITY IS TO BE MEASURED BY RESTING THE SOLDER TAIL ON A GAUGE SURFACE
7. BEND DEPRESSION ON SMT TAIL IS ACCEPTABLE SO LONG AS IT DOES NOT AFFECT THE OVERALL COPLANARITY
8. TOP SURFACE OF CAP TO BE FLAT FOR THE PURPOSE OF PICK & PLACE BY VACUUM SUCTION NOZZLE

THIS DRAWING CONTAINS INFORMATION THAT IS PROPRIETARY TO MOLEX ELECTRONIC TECHNOLOGIES, LLC AND SHOULD NOT BE USED WITHOUT WRITTEN PERMISSION

EC NO: 787294 DRWN: SUAIFR CHK'D: SUAIFR REV APPR: MIRAMAKRISHNA	2024/05/23	GENERAL TOLERANCES (UNLESS SPECIFIED)		DIMENSION UNITS		SCALE							
	2024/05/24	MM	INCH	MM	NTS	DRWN BY						DATE	
	2024/05/24	4 PLACES	±	±	GMENARLY		2015/05/22		MILLIGRID 2MM PITCH, SMT VERTICAL SHROUDED HEADER				
		3 PLACES	±	±	CHK'D BY		DATE						
	2 PLACES	± 0.2	±	CGOH		2015/09/21		PRODUCT CUSTOMER DRAWING					
	1 PLACES	±	±	APPR BY		DATE							
	0 PLACES	±	±	KHLIM		2015/09/22		SERIES: 87832 MATERIAL NUMBER: SEE TABLE CUSTOMER: GENERAL MARKET					
	ANGULAR TOL = 3.0		DRAWING SIZE		THIRD ANGLE PROJECTION								
DRAFT WHERE APPLICABLE MUST REMAIN WITHIN DIMENSIONS		A3				DOCUMENT NUMBER		DOC TYPE		DOC PART		SHEET NUMBER	
A24		REV		SD-87832-0001		PSD		001		4 OF 13			

6 CIRCUITS

CKT SIZE	ASSY P/N WITHOUT CAP IN TUBE	ASSY P/N WITH CAP IN TUBE	ASSY P/N WITH CAP IN T&R	ASSY P/N WITHOUT CAP IN T&R	T&R OPTIONS (SEE SHEET 12)	PLATING OPTIONS	FRICTION LOCKS		DUAL SIDE SLOTS	CENTER POLARIZATION	PEGS	DIMENSION							
							DUAL	CENTER				A	B	C	D	E	F	G (COPLAN)	H
6	87832-0660	87832-0662	87832-5262		1	1	N.A	N.A	YES	N.A	YES	8.65	6.85	4.00	N.A	2.00	7.00	0.10	3.60±0.20
	87832-0620	87832-0622	87832-5222	87832-5230	1	2													
	87832-0621	87832-0623	87832-5223		1	3													
	87832-0670	87832-0672	87832-5272		1	4	N.A	N.A	YES	N.A	N.A							0.10	3.60±0.20
	87832-0612	87832-0616	87832-0614		1	2													
	87832-0613	87832-0617	87832-0615		1	3	N.A	YES	YES	N.A	N.A							0.10	3.60±0.15
	87832-0624	87832-0626	87832-0628		1	2													
	87832-0625	87832-0627	87832-0629		1	3	N.A	YES	YES	N.A	YES							0.10	3.60±0.20
	87832-0610	87832-0608	87832-0606		1	2													
	87832-0611	87832-0609	87832-0607		1	3	N.A	YES	YES	N.A	YES							0.10	3.60±0.20
87832-0604	N.A	N.A		N.A	2														

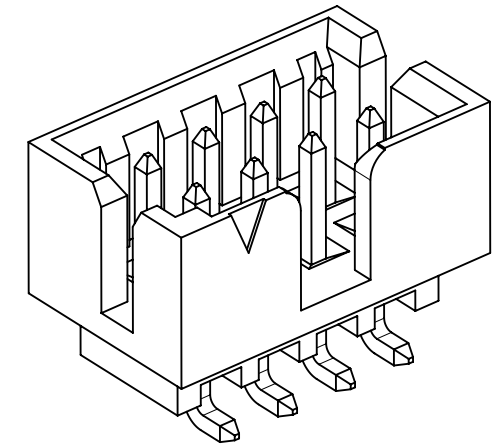
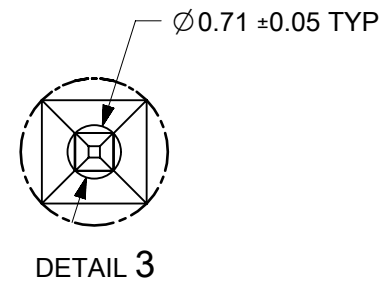
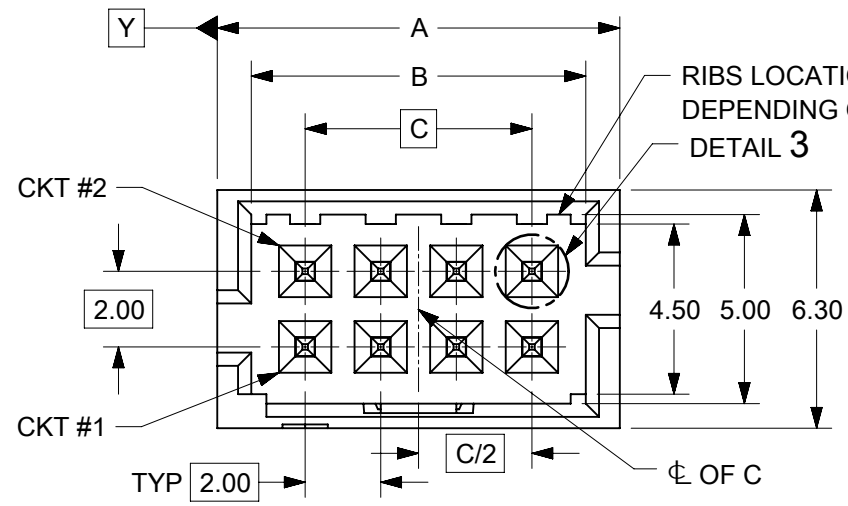
PLATING OPTIONS:

- 1 - 0.05-0.13µm/2-5µin GOLD IN CONTACT AREA AND 1.88µm/75µin MIN. MATTE TIN IN SOLDER TAIL AREA OVER 1.27µm/50µin MIN. NICKEL OVERALL.
- 2 - 0.38µm/15µin MIN. GOLD IN CONTACT AREA AND 1.88µm/75µin MIN. MATTE TIN IN SOLDER TAIL AREA OVER 1.27µm/50µin MIN. NICKEL OVERALL.
- 3 - 0.76µm/30µin MIN. GOLD IN CONTACT AREA AND 1.88µm/75µin MIN. MATTE TIN IN SOLDER TAIL AREA OVER 1.27µm/50µin MIN. NICKEL OVERALL.
- 4 - 2.50µm/100µin MIN. MATTE TIN OVER 1.25µm/50µin MIN. NICKEL OVERALL.

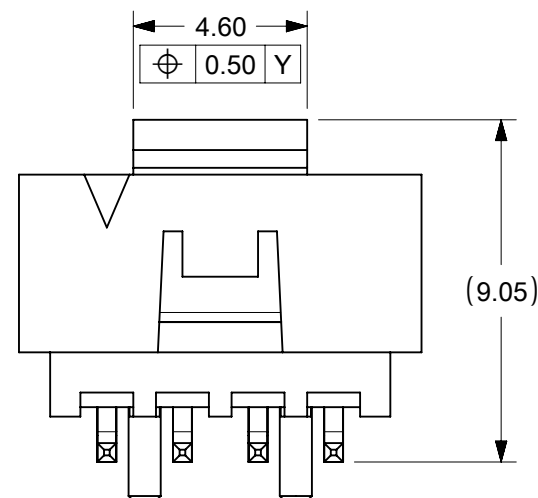
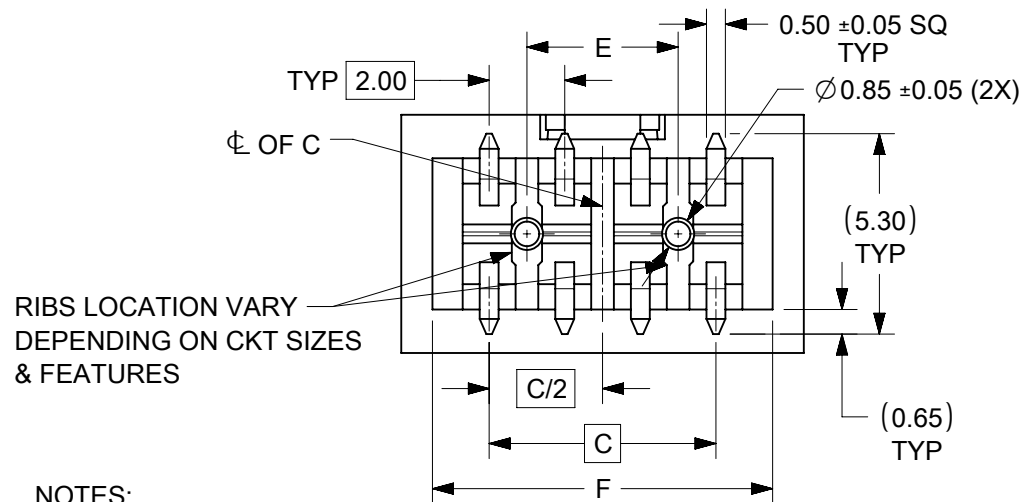
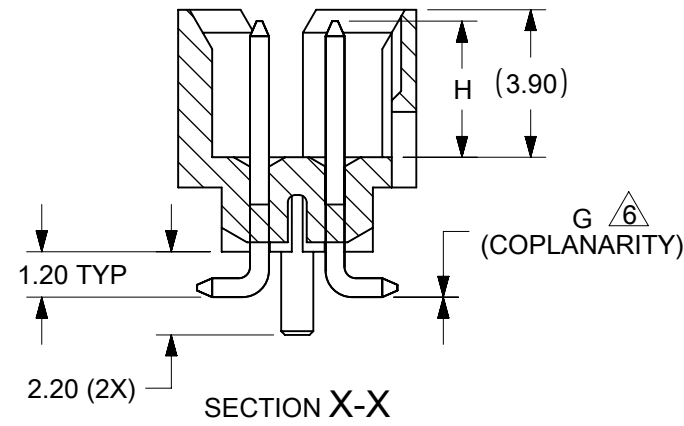
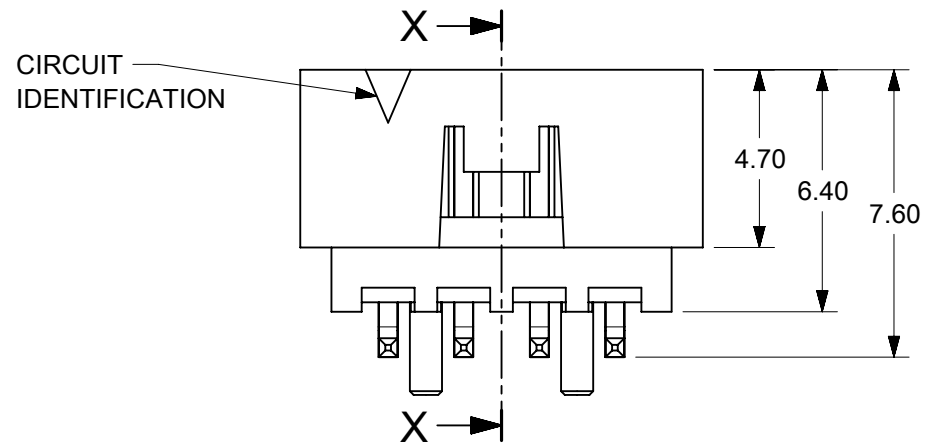
THIS DRAWING CONTAINS INFORMATION THAT IS PROPRIETARY TO MOLEX ELECTRONIC TECHNOLOGIES, LLC AND SHOULD NOT BE USED WITHOUT WRITTEN PERMISSION

EC NO: 787294 DRWN: SUAIFR CHKD: SUAIFR REV APPR: MIRAMAKRISHNA	2024/05/23	GENERAL TOLERANCES (UNLESS SPECIFIED)		DIMENSION UNITS	SCALE																
	2024/05/24	MM	INCH	MM	NTS																
	2024/05/24	4 PLACES ±	±	±	DRWN BY	DATE	MILLIGRID 2MM PITCH, SMT VERTICAL SHROUDED HEADER														
	MIRAMAKRISHNA	3 PLACES ±	±	±	GMENARLY	2015/05/22															
	SUAIFR	2 PLACES ± 0.2	±	±	CHK'D BY	DATE															
	SUAIFR	1 PLACES ±	±	±	CGOH	2015/09/21	PRODUCT CUSTOMER DRAWING														
MIRAMAKRISHNA	0 PLACES ±	±	±	APPR BY	DATE																
A24	ANGULAR TOL = 3.0			DRAWING SIZE	THIRD ANGLE PROJECTION	SERIES	MATERIAL NUMBER	CUSTOMER													
DRAFT WHERE APPLICABLE MUST REMAIN WITHIN DIMENSIONS				A3		87832	SEE TABLE	GENERAL MARKET													
RELEASE STATUS P1 RELEASE DATE 2024/05/24 12:12:41						DOCUMENT NUMBER		SD-87832-0001	DOC TYPE	DOC PART	SHEET NUMBER										
9						8		7		6		5		4		3		2		1	

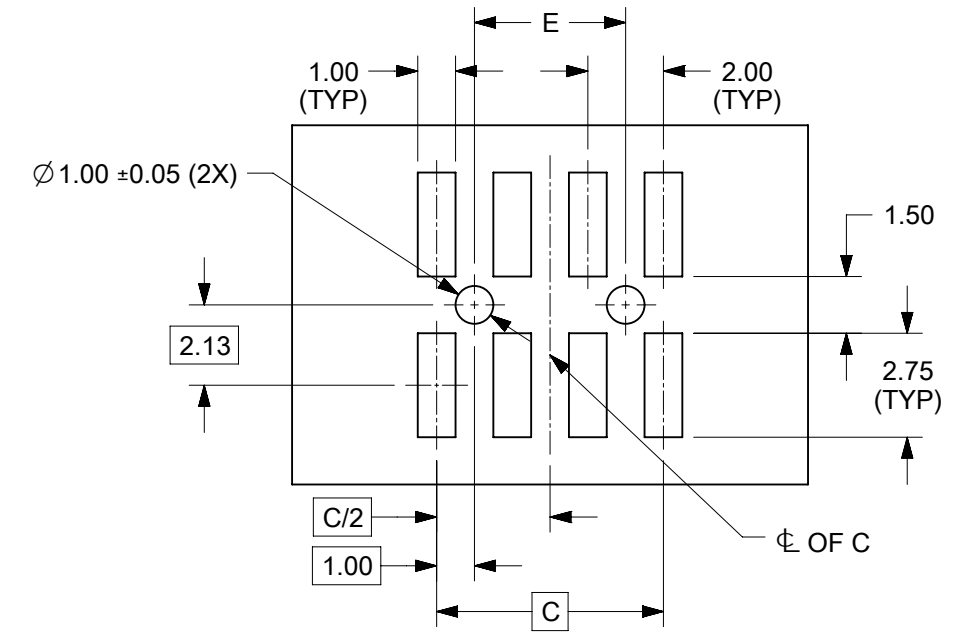
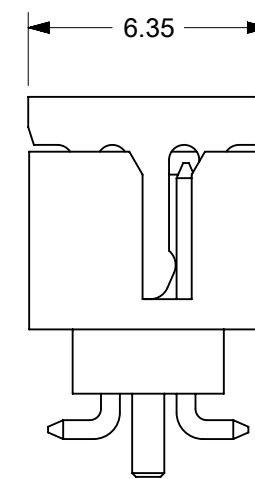
8 TO 12 CIRCUITS



ISO VIEW OF HEADER WITH CENTER POLARIZATION AND DUAL SIDE SLOTS



VIEW FOR HEADER WITH CAP



RECOMMENDED PCB LAYOUT

- NOTES:
- MATERIALS:
HOUSING & CAP: 30% GF, NYLON, UL94V-0, COLOR: BLACK
PIN: 0.50mm SQ. PHOSPHOR BRONZE
 - FINISHES: REFER TO PLATING OPTIONS
 - PRODUCT SPECIFICATION: PS-87831-027
 - PACKAGING SPECIFICATION: SEE PACKAGING SPECS TABLE ON SHEET 12
 - MATES WITH: A. MOLEX CRIMP RECEPTACLE HOUSING: 51110 SERIES AND CRIMP TERMINAL: 50394 SERIES
B. MOLEX 2mm MILLIGRID DUAL ROW IDT: 87568 SERIES
C. MOLEX 2mm MILLIGRID DUAL ROW RECEPTACLE: 79107 (GOLD PLATED), 78787 (TIN PLATED)
 - COPLANARITY IS TO BE MEASURED BY RESTING THE SOLDER TAIL ON A GAUGE SURFACE
 - BEND DEPRESSION ON SMT TAIL IS ACCEPTABLE SO LONG AS IT DOES NOT AFFECT THE OVERALL COPLANARITY
 - TOP SURFACE OF CAP TO BE FLAT FOR THE PURPOSE OF PICK & PLACE BY VACUUM SUCTION NOZZLE

THIS DRAWING CONTAINS INFORMATION THAT IS PROPRIETARY TO MOLEX ELECTRONIC TECHNOLOGIES, LLC AND SHOULD NOT BE USED WITHOUT WRITTEN PERMISSION

EC NO: 787294 DRWN: SUAIFR CHK'D: SUAIFR REV APPR: MIRAMAKRISHNA	2024/05/23	GENERAL TOLERANCES (UNLESS SPECIFIED)		DIMENSION UNITS		SCALE		
	2024/05/24	MM	INCH	MM	NTS	DRWN BY DATE		
	2024/05/24	4 PLACES ±	±	GMENARLY	2015/05/22	CHK'D BY DATE		
		3 PLACES ±	±	CGOH	2015/09/21	APPR BY DATE		
		2 PLACES ±	0.2	±	KHLIM	2015/09/22	PRODUCT CUSTOMER DRAWING	
		1 PLACES ±	±	±	DRAWING SIZE THIRD ANGLE PROJECTION		SERIES MATERIAL NUMBER CUSTOMER	
		0 PLACES ±	±	±	A3	87832 SEE TABLE GENERAL MARKET		
		ANGULAR TOL = 3.0		DRAFT WHERE APPLICABLE MUST REMAIN WITHIN DIMENSIONS		DOCUMENT NUMBER		DOC TYPE DOC PART SHEET NUMBER
						SD-87832-0001		PSD 001 6 OF 13


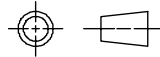
8 TO 12 CIRCUITS

CKT SIZE	ASSY P/N WITHOUT CAP IN TUBE	ASSY P/N WITH CAP IN TUBE	ASSY P/N WITH CAP IN T&R	ASSY P/N WITHOUT CAP IN T&R	T&R OPTIONS (SEE SHEET 12)	PLATING OPTIONS	FRICTION LOCKS		DUAL SIDE SLOTS	CENTER POLARIZATION	PEGS	DIMENSION							
							DUAL	CENTER				A	B	C	D	E	F	G (COPLAN)	H
E 8	87832-0860	87832-0862	87832-5362		1	1	N.A	N.A	YES	YES	YES	10.65	8.85	6.00	N.A	4.00	9.00	0.10	3.60±0.20
	87832-0820	87832-0822	87832-5322	87832-5330	1	2												0.10	3.60±0.20
	87832-0821	87832-0823	87832-5323		1	3												0.10	3.60±0.15
	87832-0870	87832-0872	87832-5372		1	4	N.A	N.A	YES	YES	N.A							0.10	3.60±0.20
	87832-0812	87832-0816	87832-0814		1	2	N.A	YES	YES	N.A	N.A							0.10	3.60±0.20
	87832-0824	87832-0826	87832-0828		1	2	N.A	YES	YES	N.A	N.A							0.10	3.60±0.15
	87832-0825	87832-0827	87832-0829		1	3	N.A	YES	YES	N.A	YES							0.10	3.60±0.20
	87832-0810	87832-0808	87832-0806		1	2	N.A	YES	YES	N.A	YES							0.10	3.60±0.20
	87832-0811	87832-0809	87832-0807		1	3	N.A	YES	YES	N.A	YES							0.10	3.60±0.20
87832-0804	N.A	N.A		N.A	2	N.A	YES	YES	N.A	YES	0.10	3.60±0.20							
D 10	87832-1060	87832-1062	87832-5462		1	1	N.A	N.A	YES	YES	YES	12.65	10.85	8.00	N.A	6.00	11.00	0.10	3.60±0.20
	87832-1020	87832-1022	87832-5422	87832-5430	1	2												0.10	3.60±0.20
	87832-1021	87832-1023	87832-5423		1	3												0.10	3.60±0.20
			87832-9423		2		0.10	3.60±0.15											
	87832-1070	87832-1072	87832-5472		1	4	N.A	N.A	YES	YES	N.A							0.10	3.60±0.20
	87832-1012	87832-1016	87832-1014		1	2	N.A	YES	YES	N.A	N.A							0.10	3.60±0.20
	87832-1019	87832-1045	87832-1035		1	1	N.A	YES	YES	N.A	N.A							0.10	3.60±0.15
	87832-1024	87832-1026	87832-1028		1	2	N.A	YES	YES	N.A	N.A							0.10	3.60±0.20
	N.A	N.A	87832-1055		1	1	N.A	YES	YES	N.A	N.A							0.10	3.60±0.20
	87832-1025	87832-1027	87832-1029		1	3	N.A	YES	YES	N.A	YES							0.10	3.60±0.20
	87832-1010	87832-1008	87832-1006		1	2	N.A	YES	YES	N.A	YES							0.10	3.60±0.20
	87832-1011	87832-1009	87832-1007		1	3	N.A	YES	YES	N.A	YES							0.10	3.60±0.20
87832-1004	N.A	N.A		N.A	2	N.A	YES	YES	N.A	YES	0.10	3.60±0.20							
B 12	87832-1260	87832-1262	87832-5562		1	1	N.A	N.A	YES	YES	YES	14.65	12.85	10.00	N.A	8.00	13.00	0.10	3.60±0.20
	87832-1220	87832-1222	87832-5522		1	2												0.10	3.60±0.15
	87832-1221	87832-1223	87832-5523		1	3												0.10	3.60±0.20
			87832-9623		2		0.10	3.60±0.20											
	87832-1270	87832-1272	87832-5572		1	4	N.A	YES	YES	N.A	N.A							0.10	3.60±0.15
	87832-1224	87832-1226	87832-1228		1	2	N.A	YES	YES	N.A	YES							0.10	3.60±0.20
	87832-1225	87832-1227	87832-1229		1	3	N.A	YES	YES	N.A	YES							0.10	3.60±0.20
	87832-1210	87832-1208	87832-1206		1	2	N.A	YES	YES	N.A	YES							0.10	3.60±0.20
	87832-1211	87832-1209	87832-1207		1	3	N.A	YES	YES	N.A	YES							0.10	3.60±0.20
	87832-1204	N.A	N.A		N.A	2	N.A	YES	YES	N.A	YES							0.10	3.60±0.20
87832-1212	N.A	N.A		N.A	2	N.A	N.A	YES	YES	N.A	0.10	3.60±0.20							

PLATING OPTIONS:

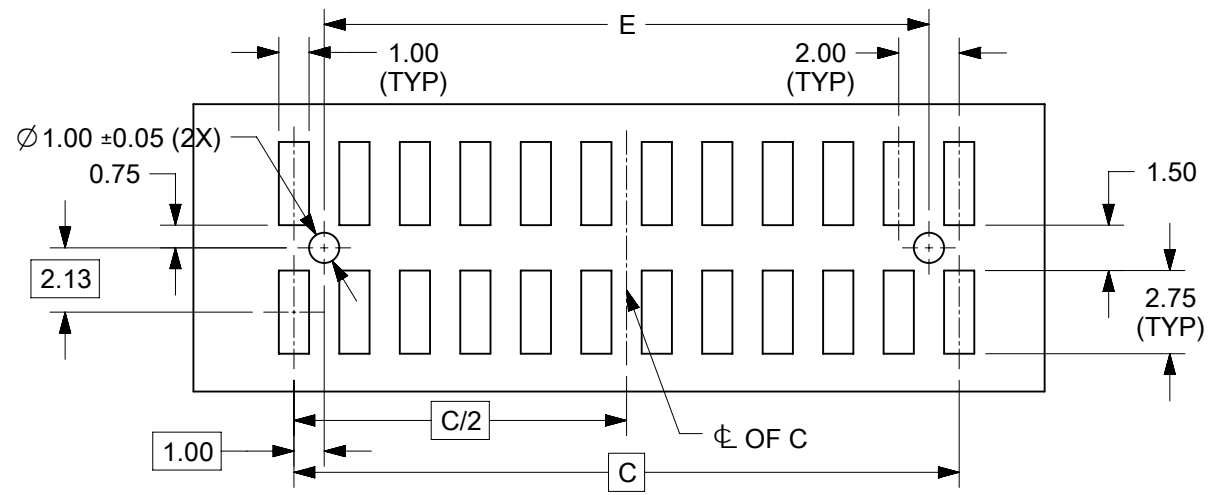
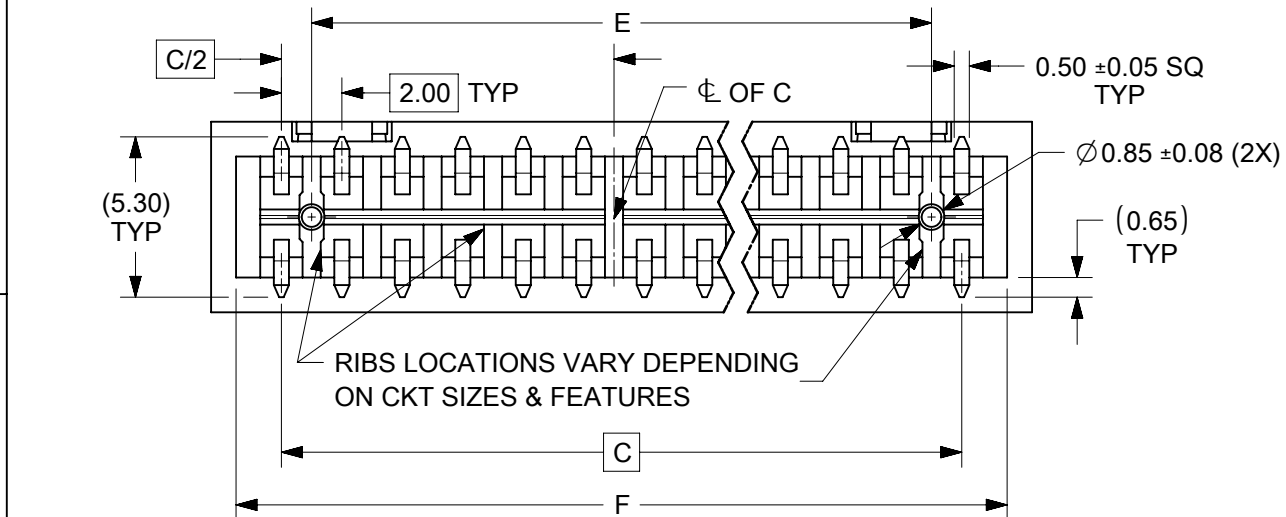
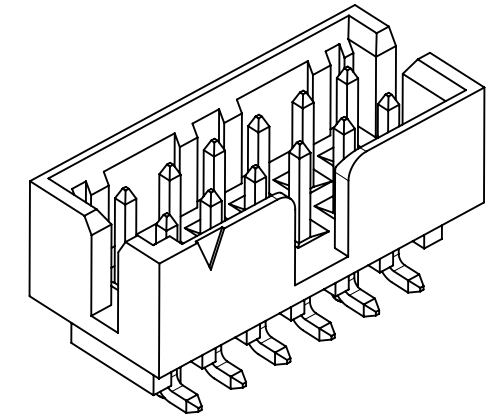
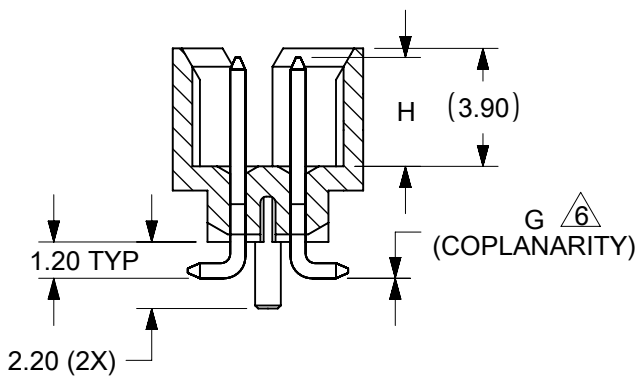
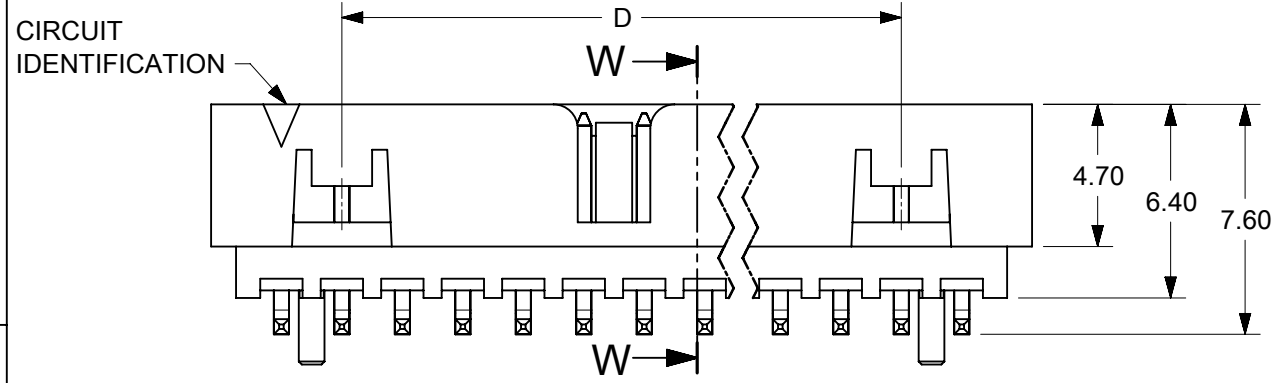
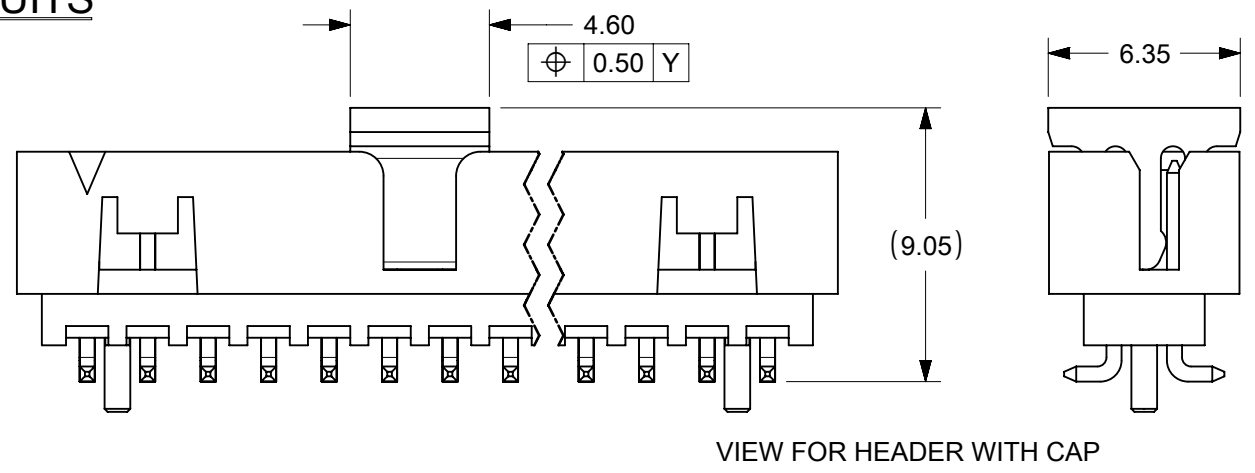
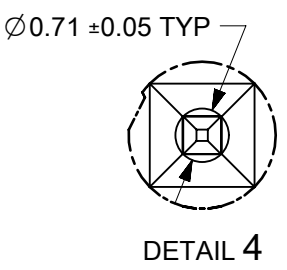
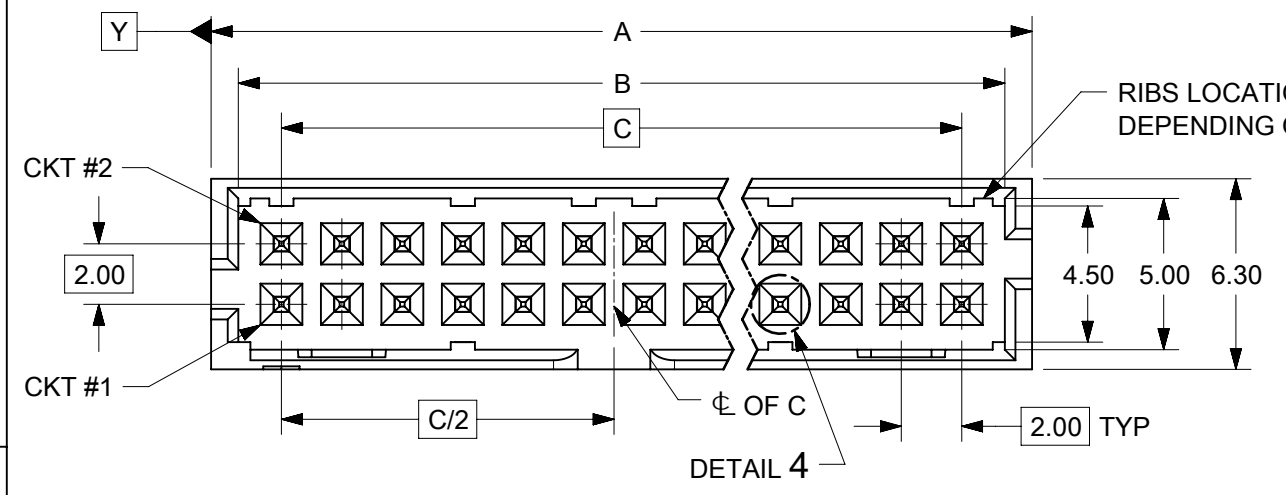
- 1 - 0.05-0.13µm/2-5µin GOLD IN CONTACT AREA AND 1.88µm/75µin MIN. MATTE TIN IN SOLDER TAIL AREA OVER 1.27µm/50µin MIN. NICKEL OVERALL.
- 2 - 0.38µm/15µin MIN. GOLD IN CONTACT AREA AND 1.88µm/75µin MIN. MATTE TIN IN SOLDER TAIL AREA OVER 1.27µm/50µin MIN. NICKEL OVERALL.
- 3 - 0.76µm/30µin MIN. GOLD IN CONTACT AREA AND 1.88µm/75µin MIN. MATTE TIN IN SOLDER TAIL AREA OVER 1.27µm/50µin MIN. NICKEL OVERALL.
- 4 - 2.50µm/100µin MIN. MATTE TIN OVER 1.25µm/50µin MIN. NICKEL OVERALL.

THIS DRAWING CONTAINS INFORMATION THAT IS PROPRIETARY TO MOLEX ELECTRONIC TECHNOLOGIES, LLC AND SHOULD NOT BE USED WITHOUT WRITTEN PERMISSION

EC NO: 787294 DRWN: SUAIFR CHKD: SUAIFR REV APPR: MRAMAKRISHNA	2024/05/23	2024/05/24	2024/05/24	GENERAL TOLERANCES (UNLESS SPECIFIED)		DIMENSION UNITS		SCALE							
				MM	INCH	MM	NTS	DRWN BY						DATE	
	4 PLACES	±	±	GMENARLY		2015/05/22		CHK'D BY		DATE		MILLIGRID 2MM PITCH, SMT VERTICAL SHROUDED HEADER			
	3 PLACES	±	±	CGOH		2015/09/21		APPR BY		DATE					
2 PLACES	±	0.2	±	KHLIM		2015/09/22		DRAWING SIZE		THIRD ANGLE PROJECTION		PRODUCT CUSTOMER DRAWING			
1 PLACES	±	±	±	ANGULAR TOL = 3.0		A3				SERIES: 87832 MATERIAL NUMBER: SEE TABLE CUSTOMER: GENERAL MARKET		DOCUMENT NUMBER: SD-87832-0001 DOC TYPE: PSD DOC PART: 001 SHEET NUMBER: 7 OF 13			
0 PLACES	±	±	±	DRAFT WHERE APPLICABLE MUST REMAIN WITHIN DIMENSIONS											

RELEASE STATUS	P1	RELEASE DATE	2024/05/24	12:12:41
----------------	----	--------------	------------	----------

14 TO 50 CIRCUITS



- NOTES:
1. MATERIALS:
HOUSING & CAP: 30% GF, NYLON, UL94V-0, COLOR: BLACK
PIN: 0.50mm SQ. PHOSPHOR BRONZE
 2. FINISHES: REFER TO PLATING OPTIONS
 3. PRODUCT SPECIFICATION: PS-87831-027
 4. PACKAGING SPECIFICATION: SEE PACKAGING SPECS TABLE ON SHEET 12
 5. MATES WITH: A. MOLEX CRIMP RECEPTACLE HOUSING: 51110 SERIES AND CRIMP TERMINAL: 50394 SERIES
B. MOLEX 2mm MILLIGRID DUAL ROW IDT: 87568 SERIES
C. MOLEX 2mm MILLIGRID DUAL ROW RECEPTACLE: 79107 (GOLD PLATED), 78787 (TIN PLATED)
 6. COPLANARITY IS TO BE MEASURED BY RESTING THE SOLDER TAIL ON A GAUGE SURFACE
 7. BEND DEPRESSION ON SMT TAIL IS ACCEPTABLE SO LONG AS IT DOES NOT AFFECT THE OVERALL COPLANARITY
 8. TOP SURFACE OF CAP TO BE FLAT FOR THE PURPOSE OF PICK & PLACE BY VACUUM SUCTION NOZZLE

THIS DRAWING CONTAINS INFORMATION THAT IS PROPRIETARY TO MOLEX ELECTRONIC TECHNOLOGIES, LLC AND SHOULD NOT BE USED WITHOUT WRITTEN PERMISSION

EC NO: 787294 DRWN: SUAIFR CHK'D: SUAIFR REV APPR: MIRAMAKRISHNA	GENERAL TOLERANCES (UNLESS SPECIFIED)		DIMENSION UNITS		SCALE					
			MM	INCH	MM	NTS				
	4 PLACES	±			DRWN BY	DATE		MILLIGRID 2MM PITCH, SMT VERTICAL SHROUDED HEADER		
	3 PLACES	±			CHK'D BY	DATE				
2 PLACES	± 0.2			CGOH	2015/09/21					
1 PLACES	±			APPR BY	DATE					
				KHLIM	2015/09/22	PRODUCT CUSTOMER DRAWING				
		ANGULAR TOL = 3.0		DRAWING SIZE	THIRD ANGLE PROJECTION	SERIES	MATERIAL NUMBER	CUSTOMER		
				A3		78732	SEE TABLE	GENERAL MARKET		
		DRAFT WHERE APPLICABLE MUST REMAIN WITHIN DIMENSIONS				DOCUMENT NUMBER		DOC TYPE	DOC PART	SHEET NUMBER
A24						SD-87832-0001	PSD	001	8 OF 13	

14 TO 24 CIRCUITS

CKT SIZE	ASSY P/N WITHOUT CAP IN TUBE	ASSY P/N WITH CAP IN TUBE	ASSY P/N WITH CAP IN T&R	ASSY P/N WITHOUT CAP IN T&R	T&R OPTIONS (SEE SHEET 12)	PLATING OPTIONS	FRICTION LOCKS		DUAL SIDE SLOTS	CENTER POLARIZATION	PEGS	DIMENSION							So (T&R)								
							DUAL	CENTER				A	B	C	D	E	F	G (COPLAN)		H							
14	87832-1460	87832-1462	87832-5662		1	1																					
	87832-1420	87832-1422	87832-5622	87832-5630	1	2																					
	87832-1421	87832-1423	87832-5623		1	3		YES	N.A	YES	YES	YES	16.65	14.85	12.00	8.00	10.00	15.00	0.15	3.60±0.20							
			87832-9523		2																						
	87832-1470	87832-1472	87832-5672		1	4																					
87832-1412	87832-1416	87832-1414		1	2	YES	N.A	YES	YES	N.A													0.15	3.60±0.20			
16	87832-1660	87832-1662	87832-5762		1	1																					
	87832-1620	87832-1622	87832-5722		1	2																					
	87832-1621	87832-1623	87832-5723		1	3	YES	N.A	YES	YES	YES	18.65	16.85	14.00	10.00	12.00	17.00	0.15	3.60±0.20								
	87832-1670	87832-1672	87832-5772	87832-5730	1	4																					
	87832-1612	87832-1616	87832-1614		1	2	YES	N.A	YES	YES	N.A													0.15	3.60±0.20	28.40	
87832-1619	87832-1645	87832-1635		1	1																						
18	87832-1860	87832-1862	87832-5862		1	1																					
	87832-1820	87832-1822	87832-5822	87832-5830	1	2	YES	N.A	YES	YES	YES	20.65	18.85	16.00	12.00	14.00	19.00	0.15	3.60±0.20								
	87832-1821	87832-1823	87832-5823		1	3																					
	87832-1870	87832-1872	87832-5872		1	4																					
	87832-1812	87832-1816	87832-1814		3	2	YES	N.A	YES	YES	N.A													0.15	3.60±0.20		
87832-1813	87832-1817	87832-1815		3	3	YES	N.A	YES	YES	N.A													0.15	3.60±0.20			
20	87832-2060	87832-2062	87832-5962		1	1																					
	87832-2020	87832-2022	87832-5922	87832-5930	1	2																					
	87832-2021	87832-2023	87832-5923		1	3	YES	N.A	YES	YES	YES	22.65	20.85	18.00	14.00	16.00	21.00	0.15	3.60±0.20								
			87832-2070	87832-2072	87832-9672		1	4																			
	87832-2012	87832-2016	87832-2014		1	2	YES	N.A	YES	YES	N.A													0.15	3.60±0.20	40.40	
22	87832-2260	87832-2262	87832-6062		1	1																					
	87832-2220	87832-2222	87832-6022	87832-6030	1	2	YES	N.A	YES	YES	YES	24.65	22.85	20.00	16.00	18.00	23.00	0.15	3.60±0.20								
	87832-2221	87832-2223	87832-6023	87832-6031	1	3																					
	87832-2270	87832-2272	87832-6072		1	4																					
24	87832-2460	87832-2462	87832-6162		1	1																					
	87832-2420	87832-2422	87832-6122	87832-6130	1	2	YES	N.A	YES	YES	YES	26.65	24.85	22.00	18.00	20.00	25.00	0.15	3.60±0.20								
	87832-2421	87832-2423	87832-6123		1	3																					
	87832-2470	87832-2472	87832-6172		1	4																					
	87832-2412	87832-2416	87832-2414		1	2	YES	N.A	YES	YES	N.A													0.15	3.60±0.20		

THIS DRAWING CONTAINS INFORMATION THAT IS PROPRIETARY TO MOLEX ELECTRONIC TECHNOLOGIES, LLC AND SHOULD NOT BE USED WITHOUT WRITTEN PERMISSION

PLATING OPTIONS:
 1 - 0.05-0.13µm/2-5µin GOLD IN CONTACT AREA AND 1.88µm/75µin MIN. MATTE TIN IN SOLDER TAIL AREA OVER 1.27µm/50µin MIN. NICKEL OVERALL.
 2 - 0.38µm/15µin MIN. GOLD IN CONTACT AREA AND 1.88µm/75µin MIN. MATTE TIN IN SOLDER TAIL AREA OVER 1.27µm/50µin MIN. NICKEL OVERALL.
 3 - 0.76µm/30µin MIN. GOLD IN CONTACT AREA AND 1.88µm/75µin MIN. MATTE TIN IN SOLDER TAIL AREA OVER 1.27µm/50µin MIN. NICKEL OVERALL.
 4 - 2.50µm/100µin MIN. MATTE TIN OVER 1.25µm/50µin MIN. NICKEL OVERALL.

EC NO: 787294	DRWN: SUAIFR	CHK'D: SUAIFR	APP'R: MIRAMAKRISHNA	2024/05/23	2024/05/24	2024/05/24
GENERAL TOLERANCES (UNLESS SPECIFIED)		DIMENSION UNITS		SCALE		
		MM	INCH	MM	NTS	
4 PLACES ±				DRWN BY	DATE	
3 PLACES ±				GMENARLY	2015/05/22	
2 PLACES ± 0.2				CHK'D BY	DATE	
1 PLACES ±				CGOH	2015/09/21	
0 PLACES ±				APP'R BY	DATE	
				KHLIM	2015/09/22	
ANGULAR TOL = 3.0		DRAWING SIZE		THIRD ANGLE PROJECTION		
DRAFT WHERE APPLICABLE MUST REMAIN WITHIN DIMENSIONS		A3				
SERIES		MATERIAL NUMBER		CUSTOMER		
87832		SEE TABLE		GENERAL MARKET		
DOCUMENT NUMBER		DOC TYPE		DOC PART		SHEET NUMBER
SD-87832-0001		PSD		001		9 OF 13

RELEASE STATUS | P1 | RELEASE DATE | 2024/05/24 12:12:41


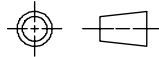
26 TO 38 CIRCUITS

CKT SIZE	ASSY P/N WITHOUT CAP IN TUBE	ASSY P/N WITH CAP IN TUBE	ASSY P/N WITH CAP IN T&R	ASSY P/N WITHOUT CAP IN T&R	T&R OPTIONS (SEE SHEET 12)	PLATING OPTIONS	FRICTION LOCKS		DUAL SIDE SLOTS	CENTER POLARIZATION	PEGS	DIMENSION																		
							DUAL	CENTER				A	B	C	D	E	F	G (COPLAN)	H											
E 26	87832-2660	87832-2662	87832-6262		1	1	YES	N.A	YES	YES	YES	28.65	26.85	24.00	20.00	22.00	27.00	0.15	3.60±0.20											
	87832-2620	87832-2622	87832-6222		1	2																								
	87832-2621	87832-2623	87832-6223		1	3																								
	87832-2670	87832-2672	87832-6272		1	4												YES	N.A	YES	YES	N.A							0.15	3.60±0.20
	87832-2612	87832-2616	N.A		N.A	2																								
	87832-2619	87832-2645	87832-2635		1	1																								
D 28	87832-2860	87832-2862	87832-6362		1	1	YES	N.A	YES	YES	YES	30.65	28.85	26.00	22.00	24.00	29.00	0.15	3.60±0.20											
	87832-2820	87832-2822	87832-6322		1	2																								
	87832-2821	87832-2823	87832-6323		1	3																								
	87832-2870	87832-2872	87832-6372		1	4												YES	N.A	YES	YES	N.A							0.15	3.60±0.20
	N.A	87832-2816	N.A		1	2																								
	N.A	87832-2819	N.A		1	1																								
D 30	87832-3060	87832-3062	87832-6462		1	1	YES	N.A	YES	YES	YES	32.65	30.85	28.00	24.00	26.00	31.00	0.15	3.60±0.20											
	87832-3020	87832-3022	87832-6422		1	2																								
	87832-3021	87832-3023	87832-6423		1	3																								
	87832-3070	87832-3072	87832-6472		1	4												YES	N.A	YES	YES	N.A							0.15	3.60±0.20
	87832-3012	87832-3016	87832-3014		3	2																								
C 32	87832-3260	87832-3262	87832-6562		1	1	YES	N.A	YES	YES	YES	34.65	32.85	30.00	26.00	28.00	33.00	0.15	3.60±0.20											
	87832-3220	87832-3222	87832-6522		1	2																								
	87832-3221	87832-3223	87832-6523		1	3																								
	87832-3270	87832-3272	87832-6572		1	4																								
C 34	87832-3460	87832-3462	87832-6662	87832-6630	1	1	YES	N.A	YES	YES	YES	36.65	34.85	32.00	28.00	30.00	35.00	0.15	3.60±0.20											
	87832-3420	87832-3422	87832-6622		1	2																								
	87832-3421	87832-3423	87832-6623		1	3																								
	87832-3470	87832-3472	87832-6672		1	4												YES	N.A	YES	YES	N.A							0.15	3.60±0.20
	87832-3412	87832-3416	87832-3414		3	2																								
	87832-3419	87832-3445	87832-3435		3	1																								
B 36	87832-3660	87832-3662	N.A		N.A	1	YES	N.A	YES	YES	YES	38.65	36.85	34.00	30.00	32.00	37.00	0.15	3.60±0.20											
	87832-3620	87832-3622	N.A		N.A	2																								
	87832-3621	87832-3623	87832-3673		N.A	3																								
	87832-3670	87832-3672	N.A		N.A	4																								
B 38	87832-3860	87832-3862	N.A		N.A	1	YES	N.A	YES	YES	YES	40.65	38.85	36.00	32.00	34.00	39.00	0.15	3.60±0.20											
	87832-3820	87832-3822	87832-6822		N.A	2																								
	87832-3821	87832-3823	87832-3874		N.A	3																								
	87832-3870	87832-3872	N.A		N.A	4																								

PLATING OPTIONS:

- 0.05-0.13µm/2-5µm GOLD IN CONTACT AREA AND 1.88µm/75µm MIN. MATTE TIN IN SOLDER TAIL AREA OVER 1.27µm/50µm MIN. NICKEL OVERALL.
- 0.38µm/15µm MIN. GOLD IN CONTACT AREA AND 1.88µm/75µm MIN. MATTE TIN IN SOLDER TAIL AREA OVER 1.27µm/50µm MIN. NICKEL OVERALL.
- 0.76µm/30µm MIN. GOLD IN CONTACT AREA AND 1.88µm/75µm MIN. MATTE TIN IN SOLDER TAIL AREA OVER 1.27µm/50µm MIN. NICKEL OVERALL.
- 2.50µm/100µm MIN. MATTE TIN OVER 1.25µm/50µm MIN. NICKEL OVERALL.

THIS DRAWING CONTAINS INFORMATION THAT IS PROPRIETARY TO MOLEX ELECTRONIC TECHNOLOGIES, LLC AND SHOULD NOT BE USED WITHOUT WRITTEN PERMISSION

EC NO: 787294 DRWN: SUAIFR CHKD: SUAIFR REV APPR: MRAMAKRISHNA	2024/05/23	GENERAL TOLERANCES (UNLESS SPECIFIED)		DIMENSION UNITS		SCALE								
	2024/05/24	MM	INCH	MM	NTS	DRWN BY						DATE		
	2024/05/24	4 PLACES ±	±	GMENARLY		2015/05/22		CHK'D BY		DATE				
		3 PLACES ±	±	CGOH		2015/09/21		APPR BY		DATE				
	2 PLACES ±	0.2	±	KHLIM		2015/09/22		PRODUCT CUSTOMER DRAWING						
	1 PLACES ±	±	±	DRAWING SIZE		THIRD ANGLE PROJECTION		SERIES		MATERIAL NUMBER		CUSTOMER		
	0 PLACES ±	±	±	A3				87832		SEE TABLE		GENERAL MARKET		
	ANGULAR TOL = 3.0		DRAFT WHERE APPLICABLE MUST REMAIN WITHIN DIMENSIONS						DOCUMENT NUMBER		DOC TYPE		DOC PART SHEET NUMBER	
									SD-87832-0001		PSD		001 10 OF 13	

40 TO 50 CIRCUITS

CKT SIZE	ASSY P/N WITHOUT CAP IN TUBE	ASSY P/N WITH CAP IN TUBE	ASSY P/N WITH CAP IN T&R	ASSY P/N WITHOUT CAP IN T&R	T&R OPTIONS (SEE SHEET 12)	PLATING OPTIONS	FRICTION LOCKS		DUAL SIDE SLOTS	CENTER POLARIZATION	PEGS	DIMENSION							
							DUAL	CENTER				A	B	C	D	E	F	G (COPLAN)	H
40	87832-4060	87832-4062	87832-6962		1	1						42.65	40.85	38.00	34.00	36.00	41.00	0.15	3.60±0.20
	87832-4020	87832-4022	87832-6922		1	2	YES	N.A	YES	YES	YES								
	87832-4021	87832-4023	87832-6923		1	3													
	87832-4070	87832-4072	87832-6972		1	4													
	87832-4012	87832-4016	N.A		N.A	2	YES	N.A	YES	YES	N.A							0.15	3.60±0.20
42	87832-4260	87832-4262	N.A		N.A	1					44.65	42.85	40.00	36.00	38.00	43.00	0.15	3.60±0.20	
	87832-4220	87832-4222	87832-4230		N.A	2	YES	N.A	YES	YES									YES
	87832-4221	87832-4223	N.A		N.A	3													
	87832-4270	87832-4272	N.A		N.A	4													
44	87832-4460	87832-4462	87832-7162		1	1					46.65	44.85	42.00	38.00	40.00	45.00	0.15	3.60±0.20	
	87832-4420	87832-4422	87832-7122		1	2	YES	N.A	YES	YES									YES
	87832-4421	87832-4423	87832-7123		1	3													
	87832-4470	87832-4472	87832-7172		1	4													
	87832-4413	87832-4417	87832-4415		3	3	YES	N.A	YES	YES							N.A	0.15	3.60±0.20
46	87832-4660	87832-4662	87832-7262		1	1					48.65	46.85	44.00	40.00	42.00	47.00	0.15	3.60±0.20	
	87832-4620	87832-4622	87832-7222	87832-7230	1	2	YES	N.A	YES	YES									YES
	87832-4621	87832-4623	N.A		N.A	3													
	87832-4670	87832-4672	87832-7272		1	4													
48	87832-4860	87832-4862	N.A		N.A	1					50.65	48.85	46.00	42.00	44.00	49.00	0.15	3.60±0.20	
	87832-4820	87832-4822	N.A		N.A	2	YES	N.A	YES	YES									YES
	87832-4821	87832-4823	N.A		N.A	3													
	87832-4870	87832-4872	N.A		N.A	4													
50	87832-5060	87832-5062	87832-7462		1	1					52.65	50.85	48.00	44.00	46.00	51.00	0.15	3.60±0.20	
	87832-5020	87832-5022	87832-7422		1	2	YES	N.A	YES	YES									YES
	87832-5021	87832-5023	87832-7423		1	3													
	87832-5070	87832-5072	87832-7472		1	4													
	87832-5012	87832-5016	N.A		N.A	2	YES	N.A	YES	YES	N.A						0.15	3.60±0.20	

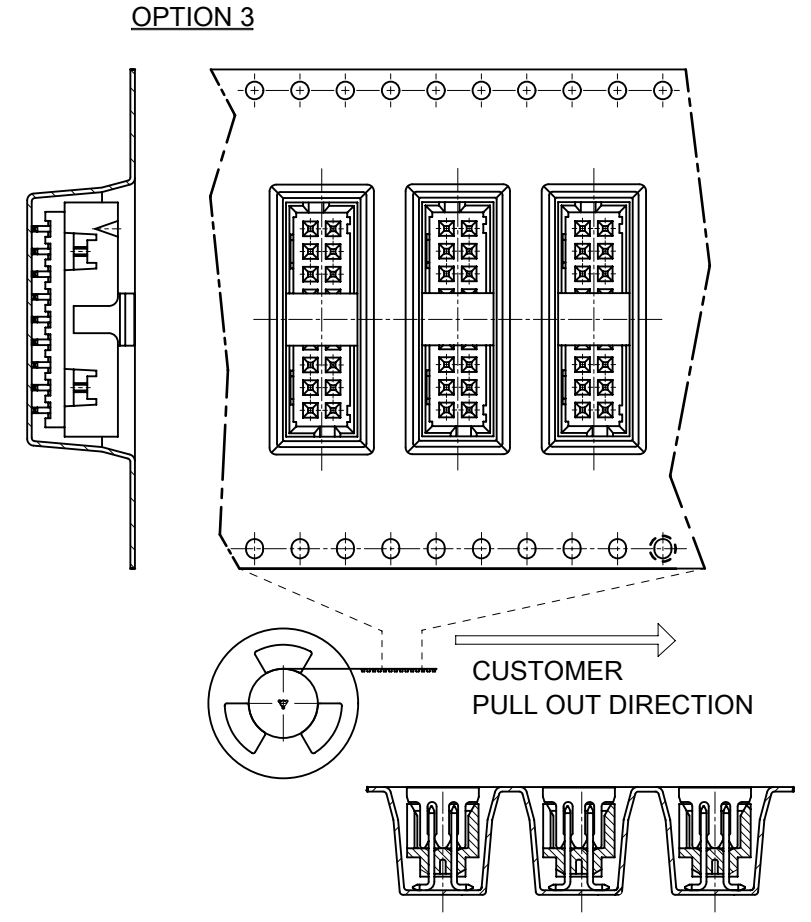
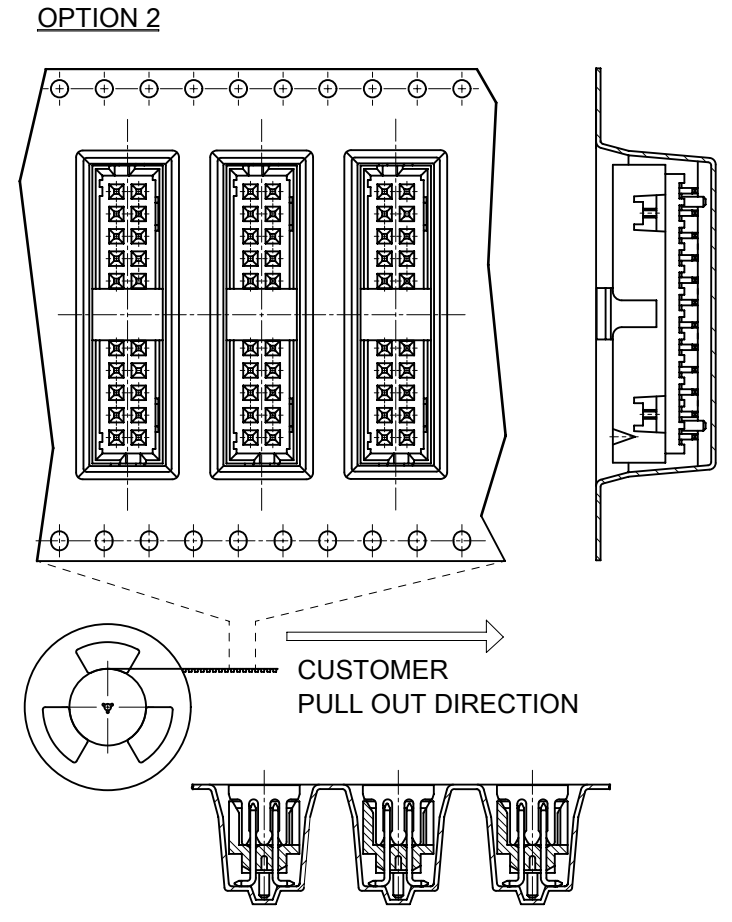
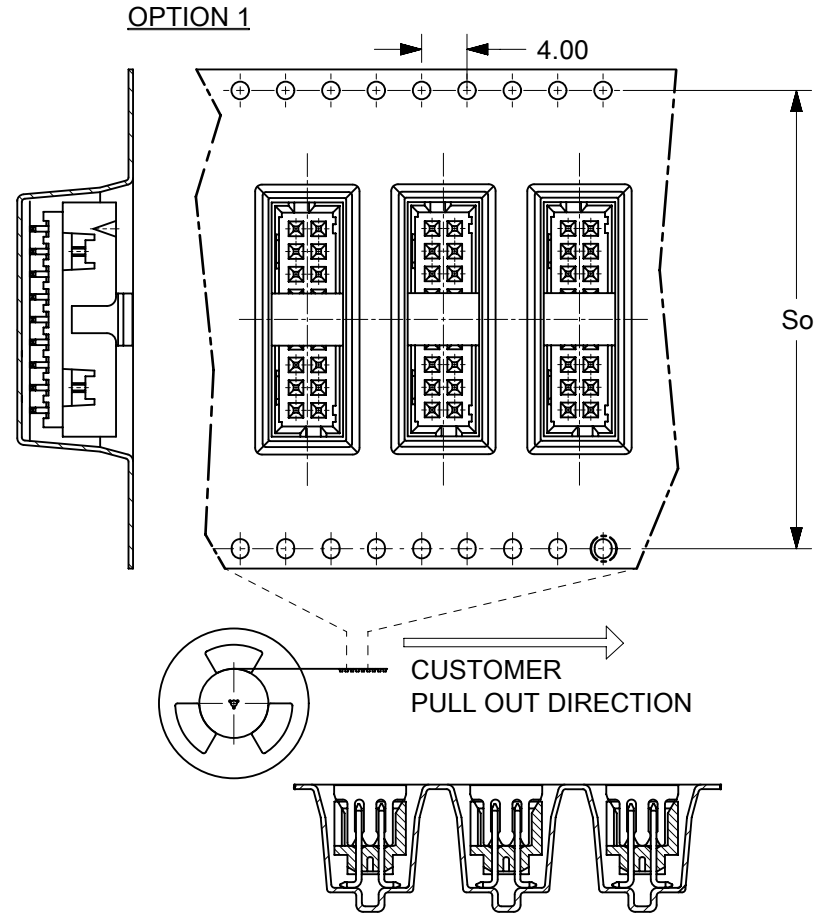
PLATING OPTIONS:

- 1 - 0.05-0.13µm/2-5µin GOLD IN CONTACT AREA AND 1.88µm/75µin MIN. MATTE TIN IN SOLDER TAIL AREA OVER 1.27µm/50µin MIN. NICKEL OVERALL.
- 2 - 0.38µm/15µin MIN. GOLD IN CONTACT AREA AND 1.88µm/75µin MIN. MATTE TIN IN SOLDER TAIL AREA OVER 1.27µm/50µin MIN. NICKEL OVERALL.
- 3 - 0.76µm/30µin MIN. GOLD IN CONTACT AREA AND 1.88µm/75µin MIN. MATTE TIN IN SOLDER TAIL AREA OVER 1.27µm/50µin MIN. NICKEL OVERALL.
- 4 - 2.50µm/100µin MIN. MATTE TIN OVER 1.25µm/50µin MIN. NICKEL OVERALL.

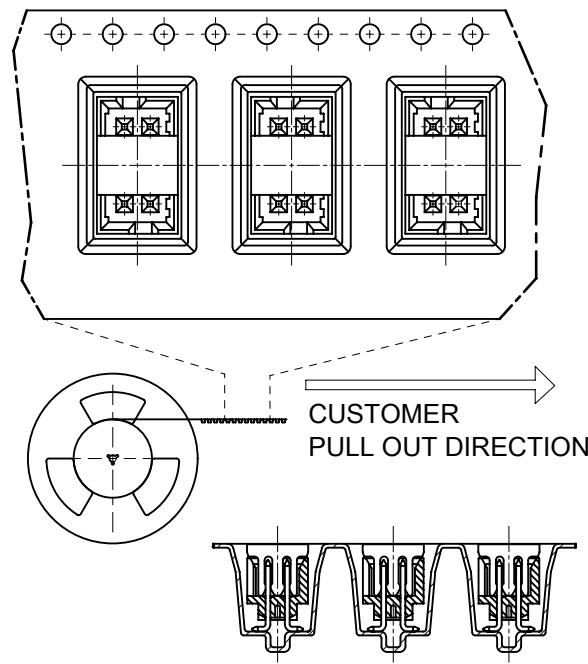
THIS DRAWING CONTAINS INFORMATION THAT IS PROPRIETARY TO MOLEX ELECTRONIC TECHNOLOGIES, LLC AND SHOULD NOT BE USED WITHOUT WRITTEN PERMISSION

EC NO: 787294 DRWN: SUAIFR CHKD: SUAIFR APPR: MRAMAKRISHNA	2024/05/23	GENERAL TOLERANCES (UNLESS SPECIFIED)		DIMENSION UNITS	SCALE							
	2024/05/24	MM	INCH	MM	NTS							
	2024/05/24	4 PLACES ±	±	±	DRWN BY	DATE	MILLIGRID 2MM PITCH, SMT VERTICAL SHROUDED HEADER					
	A24	3 PLACES ±	±	±	GMENARLY	2015/05/22						
	REV	2 PLACES ± 0.2	±	±	CHK'D BY	DATE						
	APP	1 PLACES ±	±	±	CGOH	2015/09/21						
		0 PLACES ±	±	±	APPR BY	DATE	PRODUCT CUSTOMER DRAWING					
		ANGULAR TOL = 3.0			KHLIM	2015/09/22	SERIES	MATERIAL NUMBER	CUSTOMER			
		DRAFT WHERE APPLICABLE MUST REMAIN WITHIN DIMENSIONS		DRAWING SIZE	THIRD ANGLE PROJECTION	A3	87832	SEE TABLE	GENERAL MARKET			
								DOCUMENT NUMBER	DOC TYPE	DOC PART	SHEET NUMBER	
								SD-87832-0001	PSD	001	11 OF 13	

PACKAGING OPTIONS



VIEW FOR 1 SIDE PILOT HOLE



PACKAGING SPECIFICATION TABLE

TAPE AND REEL PACKAGING	PK-87832-300
TUBE STANDARD PACKAGING	PK-87831-001
TUBE NON-STANDARD PACKAGING FOR: 87832-0411 87832-0824 87832-1072 87832-1412	PK-87831-002

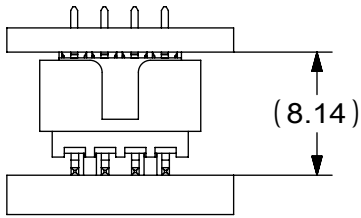
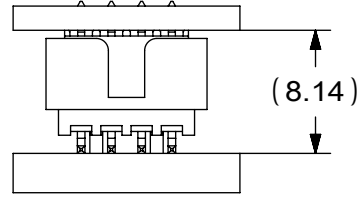
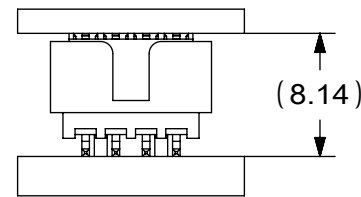
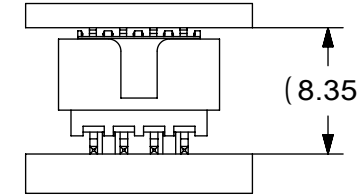
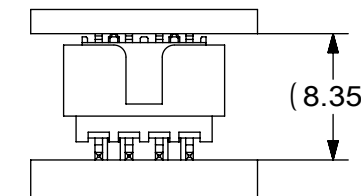
EMBOSSED TAPE & REEL POCKET DESCRIPTIONS


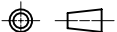
OPTIONS	CENTER POLARIZATION OPTIONS		PEG OPTIONS		PILOT HOLE OPTIONS	
	ON THE LEFT	ON THE RIGHT	WITH PEG	WITHOUT PEG	2 SIDES	1 SIDE
1	YES	N.A	YES	N.A	CKT 12-50	CKT 4-10
2	N.A	YES	YES	YES	CKT 12-50	CKT 4-10
3	YES	N.A	N.A	YES	CKT 12-50	CKT 4-10

THIS DRAWING CONTAINS INFORMATION THAT IS PROPRIETARY TO MOLEX ELECTRONIC TECHNOLOGIES, LLC AND SHOULD NOT BE USED WITHOUT WRITTEN PERMISSION

EC NO: 787294 DRWN: SUAIFR CHK'D: SUAIFR REV APPR: MRAMAKRISHNA	2024/05/23	GENERAL TOLERANCES (UNLESS SPECIFIED)		DIMENSION UNITS	SCALE			
	2024/05/24	MM	INCH	MM	NTS			
	2024/05/24	4 PLACES ±	±	DRWN BY	DATE		MILLIGRID 2MM PITCH, SMT VERTICAL SHROUDED HEADER	
		3 PLACES ±	±	GMENARLY	2015/05/22			
	2 PLACES ± 0.2	±	CHK'D BY	DATE	PRODUCT CUSTOMER DRAWING			
	1 PLACES ±	±	CGOH	2015/09/21				
	0 PLACES ±	±	APPR BY	DATE	SERIES: 87832 MATERIAL NUMBER: SEE TABLE CUSTOMER: GENERAL MARKET			
	ANGULAR TOL = 3.0		KHLIM	2015/09/22				
	DRAFT WHERE APPLICABLE MUST REMAIN WITHIN DIMENSIONS		DRAWING SIZE	THIRD ANGLE PROJECTION	DOCUMENT NUMBER: SD-87832-0001	DOC TYPE: PSD	DOC PART: 001	SHEET NUMBER: 12 OF 13
A24			A3					

BOARD TO BOARD (BTB) DISTANCE

HEADER	MATES WITH (RECEPTACLE)	BTB DIST.	PICTORIAL VIEW
87832	79107	8.14	
	78787	8.14	
	79108	8.14	
	79109	8.35	
	78788	8.35	

THIS DRAWING CONTAINS INFORMATION THAT IS PROPRIETARY TO MOLEX ELECTRONIC TECHNOLOGIES, LLC AND SHOULD NOT BE USED WITHOUT WRITTEN PERMISSION												
DIMENSION UNITS		SCALE		CURRENT REV DESC:								
mm		NTS										
GENERAL TOLERANCES (UNLESS SPECIFIED)				EC NO: 787294				MILLIGRID				
				DRWN: SUAIFR 2024/05/23				2MM PITCH, SMT VERTICAL SHROUDED HEADER				
				CHK'D: SUAIFR 2024/05/24				PRODUCT CUSTOMER DRAWING				
4 PLACES ±				APPR: MRAMAKRISHNA 2024/05/24				DOCUMENT NUMBER				
3 PLACES ±				INITIAL REVISION:				SD-87832-0001		DOC TYPE	DOC PART	REVISION
2 PLACES ± 0.2				DRWN: DRWN BY XXXX/XX/XX				PSD	001	A24		
1 PLACE ±				APPR: APPR BY XXXX/XX/XX								
0 PLACES ±				ANGULAR TOL ± 3.0°								
DRAFT WHERE APPLICABLE MUST REMAIN WITHIN DIMENSIONS				THIRD ANGLE PROJECTION		DRAWING	SERIES	MATERIAL NUMBER	CUSTOMER		SHEET NUMBER	
						A3-SIZE	87832	GENERAL MARKET		13 OF 13		