

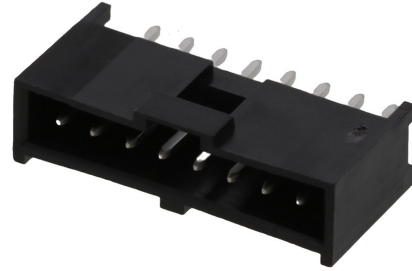
产品编号 : [901361108](#)

Product Description : C-Grid III Header, Single Row, Vertical, Shrouded, 8 Circuits, 4µm Tin/Lead (Sn) over Nickel (Ni)

系列号 : 90136

状态 : Active

Product Category : PCB Headers and Receptacles



## 文件和资源

### 图纸

[图纸 901361108\\_sd.pdf](#)

[包装设计图 PK-90136-001-001.pdf](#)

### 3D 模型和设计文件

[3D模型 901361108\\_stp.zip](#)


### 规格

[应用规格 901190001-AS-000.pdf](#)

[产品规格 PS-99020-0001-001.pdf](#)

## 产物环境合规

### 合规

GADSL/IMDS	Compliant with Exemption 44; 33
China RoHS	
EU ELV	Not Relevant
Low-Halogen Status	Not Low-Halogen per IEC 61249-2-21
REACH SVHC	Not Contained per D(2023)3788-DC (14 Jun 2023)
EU RoHS	Compliant per EU 2015/863

### 多部分产品合规性声明

- Eu RoHS
- REACH SVHC
- Low-Halogen

## 多部分行业合规性文件

- IPC 1752A Class C
- IPC 1752A Class D
- Molex Product Compliance Declaration
- IEC-62474
- chemSHERPA (xml)

## 欧盟 RoHS 合格证书

---

### 产品详情

#### 常规

状态	活动
类别	PCB Headers and Receptacles
系列	90136
说明	C-Grid III Header, Single Row, Vertical, Shrouded, 8 Circuits, 4µm Tin/Lead (Sn) over Nickel (Ni)
应用	Signal, Wire-to-Board
元件类型	PCB Header
产品系列	C-Grid III Interconnects
产品名称	C-Grid III
UPC	800753532489

#### 机构

CSA	LR19980
UL	E29179

#### 电气

每触点最大电流	3.0A
电压 - 最大	350V AC/DC

#### 物理

断开	否
回路数 (已载入)	8
电路数 (最多)	8
颜色-树脂	黑色
先接后断	否

符合灼热丝规范	否
可配插产品指南	否
插接极性	无
锁定插接部位	是
材料 - 金属	Brass
材料 - 接合部位电镀	Tin
材料 - 终端电镀	Tin
材料 - 树脂	Polyester
净重	1.267/g
行数	1
方向	垂直
包装形式	Tray
PC 焊脚长度	2.90mm
PCB 定位器	否
PCB 保持力	无
推荐的 PCB 厚度	1.60mm
间距 - 插配接口	2.54mm
间距 - 终端界面	2.54mm
最薄镀层 - 接合部位	3.048 $\mu$ m
最薄镀层 - 端接	3.048 $\mu$ m
PCB 极性	否
有护墙的	Fully
可堆叠的	否
运行温度范围	-55° to +125° C
终端界面类型	Through Hole

## 进程

最长持续时间	5
无铅	WAVE
最大周期	1
最高温度	260

---

## 可配插/可连接使用的产品

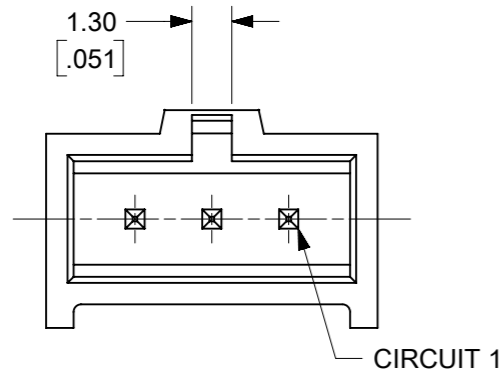
### 可配插部件

描述	产品编号
C-Grid III Modular Single Row Crimp Housings	<u>90123</u>
C-Grid III Single Row Crimp Housings	<u>90156</u>

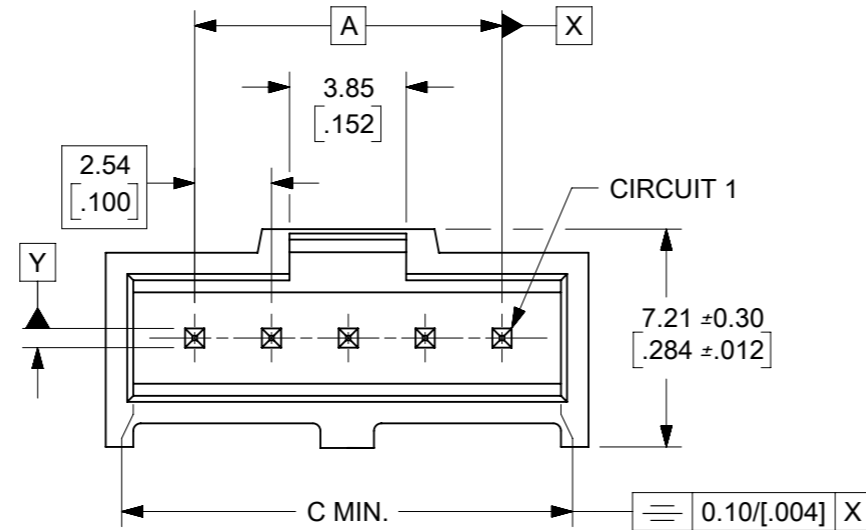
---

This document was generated on Dec 28, 2023

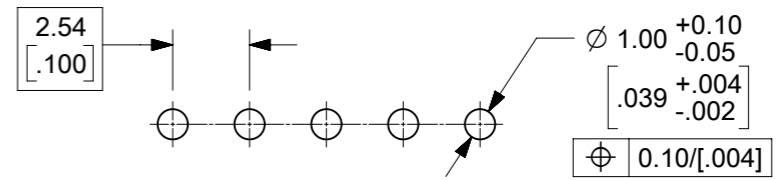
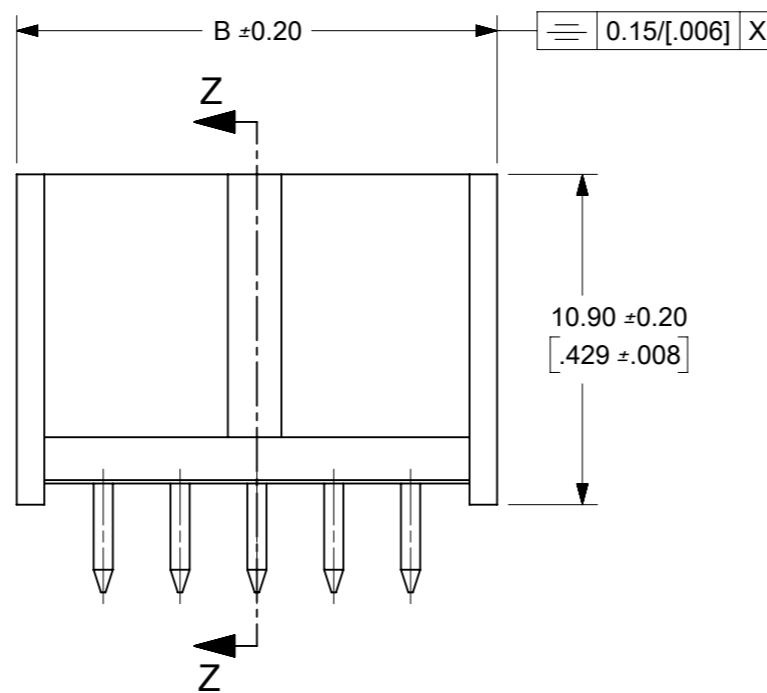
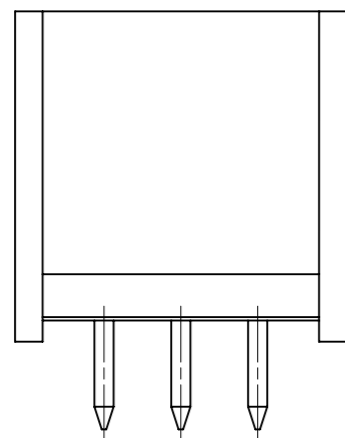
# THROUGH HOLE VERSION (STRAIGHT ASSEMBLY)



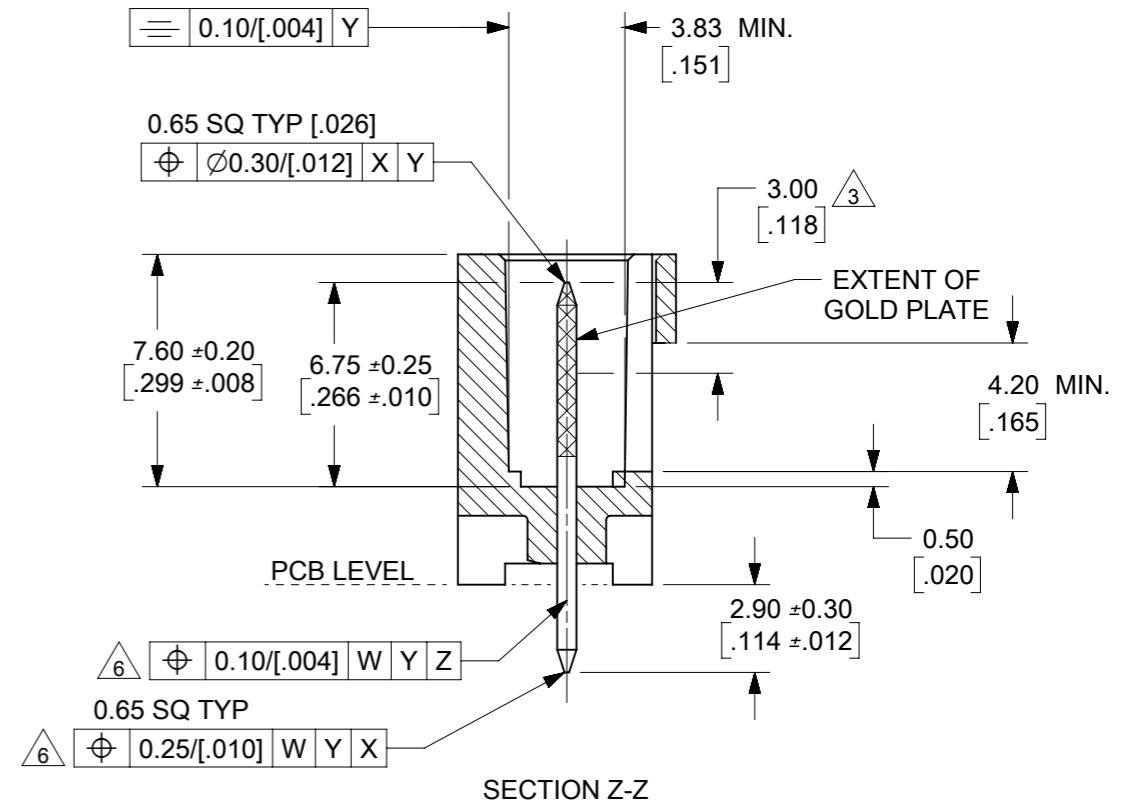
1 TO 3 CIRCUITS



4 TO 32 CIRCUITS



RECOMMENDED PCB HOLE PATTERN



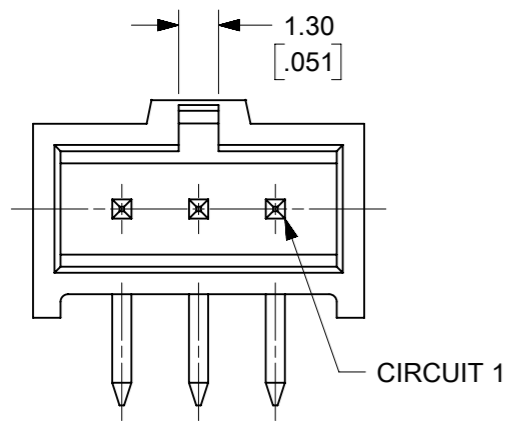
SECTION Z-Z

**NOTES:**

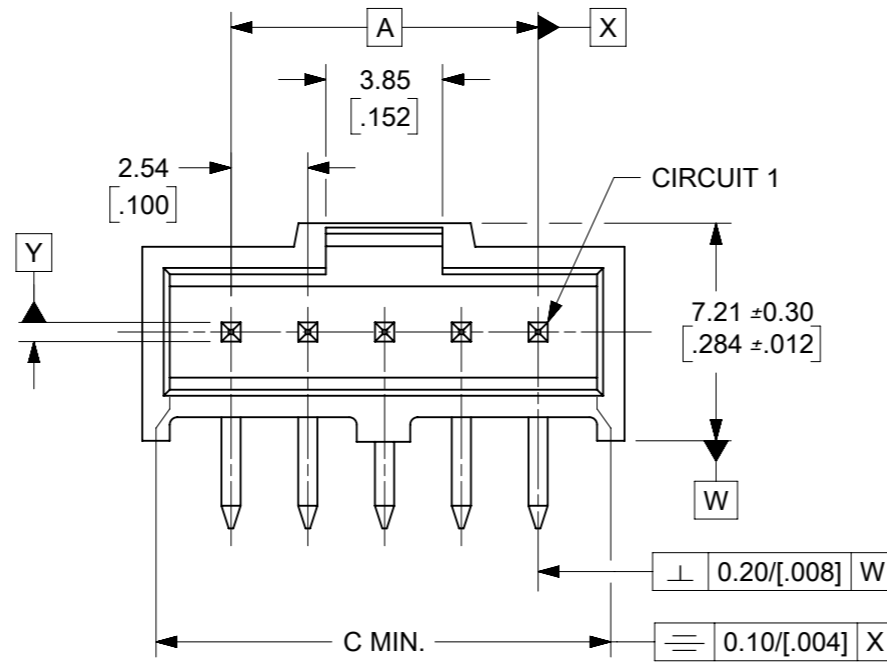
1. MATERIALS:
  - PIN: 0.650 [0.0255] SQ. BRASS WIRE
  - HOUSING : 15% GLASS FILLED POLYESTER
  - UL 94V-0 COLOR BLACK
2. FOR PLATING VERSIONS, SEE SHEET 2.
3. MEASUREMENT POINT FOR MINIMUM PLATING THICKNESS.
4. PRODUCT SPEC.: PS-99020-0001
5. RECOMMENDED PCB THICKNESS 1.6mm
6. SOLDER TAIL TO BE GAUGED.

THIS DRAWING CONTAINS INFORMATION THAT IS PROPRIETARY TO MOLEX ELECTRONIC TECHNOLOGIES, LLC AND SHOULD NOT BE USED WITHOUT WRITTEN PERMISSION											
DIMENSION UNITS		SCALE		CURRENT REV DESC: MIGRATED TO NX							
MM/INCH		NTS									
GENERAL TOLERANCES (UNLESS SPECIFIED)				EC NO: 624936		DRWN: ABABUPS		2019/09/27		C-GRID III SINGLE ROW STRAIGHT SHROUDED HEADER	
4 PLACES		±		CHK'D: MRAMAKRISHNA		2019/10/01		PRODUCT CUSTOMER DRAWING			
3 PLACES		± 0.004		APPR: MRAMAKRISHNA		2019/10/01		DOCUMENT NUMBER		DOC TYPE DOC PART REVISION	
2 PLACES		± 0.1		INITIAL REVISION:				SDA-90136		PSD 001 AH2	
1 PLACE		±		DRWN: KS		1987/10/30		MATERIAL NUMBER		CUSTOMER	
0 PLACES		±		APPR: MLONG		2011/04/15		SEE TABLE		GENERAL MARKET	
ANGULAR TOL ± 0.5°				DRAFT WHERE APPLICABLE MUST REMAIN WITHIN DIMENSIONS		THIRD ANGLE PROJECTION		DRAWING		SHEET NUMBER	
						A3-SIZE		90136		1 OF 3	

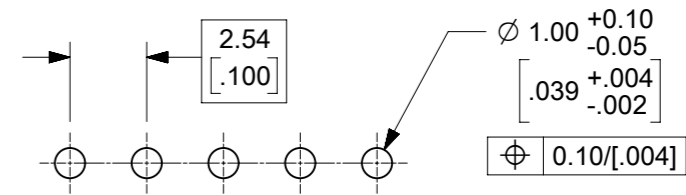
# RIGHT ANGLE VERSION



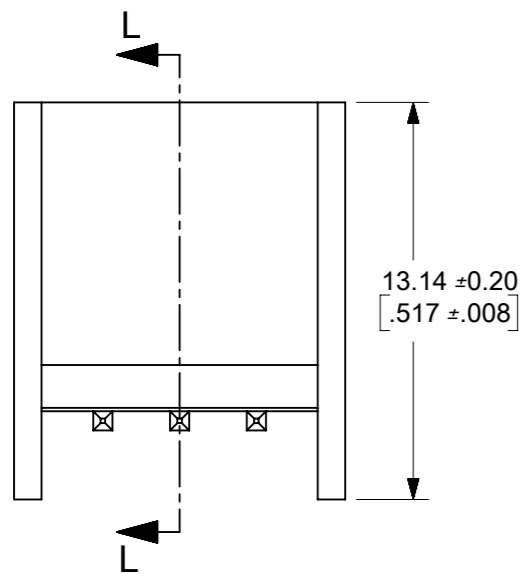
1 TO 3 CIRCUIT



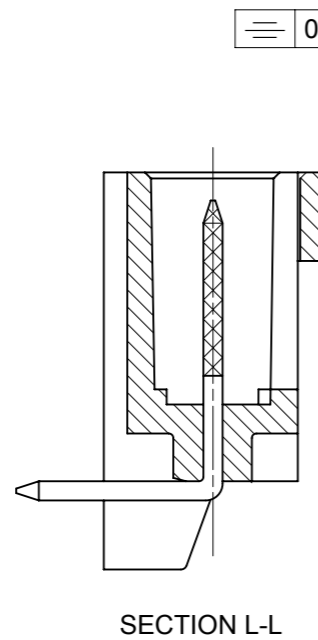
4 TO 32 CIRCUITS



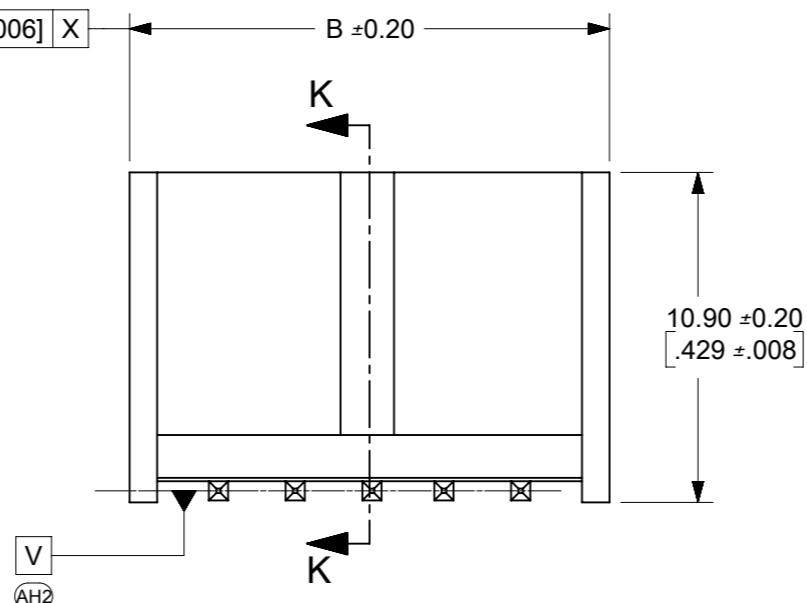
RECOMMENDED PCB PATTERN



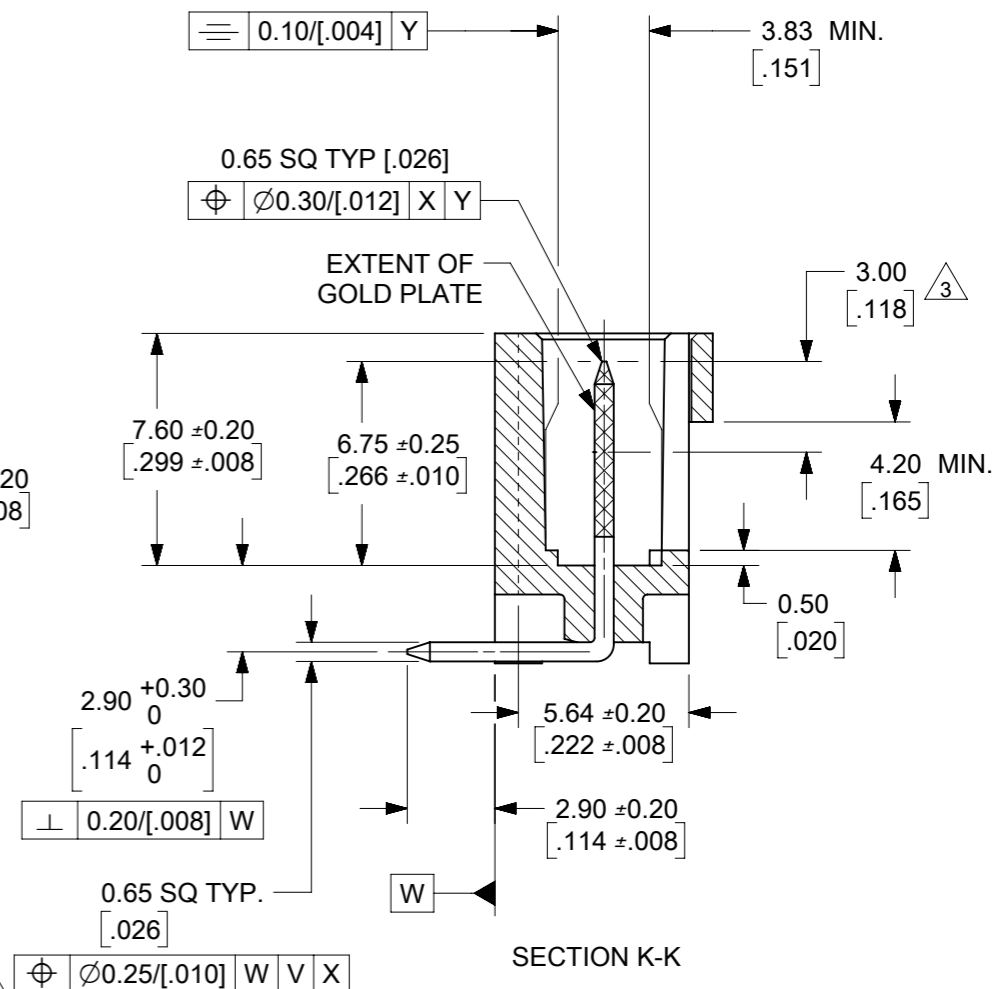
1 TO 6 CIRCUITS



SECTION L-L



7 TO 32 CIRCUITS



SECTION K-K

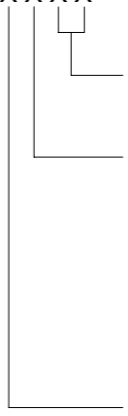
THIS DRAWING CONTAINS INFORMATION THAT IS PROPRIETARY TO MOLEX ELECTRONIC TECHNOLOGIES, LLC AND SHOULD NOT BE USED WITHOUT WRITTEN PERMISSION									
DIMENSION UNITS MM/INCH		SCALE NTS		CURRENT REV DESC: MIGRATED TO NX					
GENERAL TOLERANCES (UNLESS SPECIFIED)				EC NO: 624936					
4 PLACES ±		±		DRWN: ABABUPS		2019/09/27		C-GRID III SINGLE ROW STRAIGHT SHROUDED HEADER	
3 PLACES ±		± 0.004		CHK'D: MRAMAKRISHNA		2019/10/01		PRODUCT CUSTOMER DRAWING	
2 PLACES ±		0.1 ±		APPR: MRAMAKRISHNA		2019/10/01		DOCUMENT NUMBER	
1 PLACE ±		±		INITIAL REVISION:				SDA-90136	
0 PLACES ±		±		DRWN: KS		1987/10/30		DOC TYPE	
ANGULAR TOL ± 0.5°				APPR: MLONG		2011/04/15		PSD	
DRAFT WHERE APPLICABLE MUST REMAIN WITHIN DIMENSIONS		THIRD ANGLE PROJECTION		DRAWING		SERIES		MATERIAL NUMBER	
				A3-SIZE		90136		CUSTOMER	
								GENERAL MARKET	
								SHEET NUMBER	
								2 OF 3	

10	9	8	7	6	5	4	3	2	1
CKTS	ASSEMBLY P/N	DIM. A	DIM. B	DIM. C					
1	90136-**01	-	5.89/[.232]	4.06/[.160]					
2	90136-**02	2.54/[.100]	8.43/[.332]	6.60/[.260]					
3	90136-**03	5.08/[.200]	10.97/[.432]	9.14/[.360]					
4	90136-**04	7.62/[.300]	13.51/[.532]	11.68/[.460]					
5	90136-**05	10.16/[.400]	16.05/[.632]	14.22/[.560]					
6	90136-**06	12.70/[.500]	18.59/[.732]	16.76/[.660]					
7	90136-**07	15.24/[.600]	21.13/[.832]	19.30/[.760]					
8	90136-**08	17.78/[.700]	23.67/[.932]	21.84/[.860]					
9	90136-**09	20.32/[.800]	26.21/[1.032]	24.38/[.960]					
10	90136-**10	22.86/[.900]	28.75/[1.132]	26.92/[1.060]					
11	90136-**11	25.4/[1.000]	31.29/[1.232]	29.46/[1.160]					
12	90136-**12	27.94/[1.100]	33.83/[1.332]	32.00/[1.260]					
13	90136-**13	30.48/[1.200]	36.37/[1.432]	34.54/[1.360]					
14	90136-**14	33.02/[1.300]	38.91/[1.532]	37.08/[1.460]					
15	90136-**15	35.56/[1.400]	41.45/[1.632]	39.62/[1.560]					
16	90136-**16	38.10/[1.500]	43.99/[1.732]	42.16/[1.660]					
17	90136-**17	40.64/[1.600]	46.53/[1.832]	44.70/[1.760]					
18	90136-**18	43.18/[1.700]	49.07/[1.932]	47.24/[1.860]					
19	90136-**19	45.72/[1.800]	51.61/[2.032]	49.78/[1.960]					
20	90136-**20	48.26/[1.900]	54.15/[2.132]	52.32/[2.060]					
21	90136-**21	50.80/[2.000]	56.69/[2.232]	54.86/[2.160]					
22	90136-**22	53.34/[2.100]	59.23/[2.332]	57.40/[2.260]					
23	90136-**23	55.88/[2.200]	61.77/[2.432]	59.94/[2.360]					
24	90136-**24	58.42/[2.300]	64.31/[2.532]	62.48/[2.460]					
25	90136-**25	60.96/[2.400]	66.85/[2.632]	65.02/[2.560]					
26	90136-**26	63.50/[2.500]	69.39/[2.732]	67.56/[2.660]					
27	90136-**27	66.04/[2.600]	71.93/[2.832]	70.10/[2.760]					
28	90136-**28	68.58/[2.700]	74.47/[2.932]	72.64/[2.860]					
29	90136-**29	71.12/[2.800]	77.01/[3.032]	75.18/[2.960]					
30	90136-**30	73.66/[2.900]	79.55/[3.132]	77.72/[3.060]					
31	90136-**31	76.20/[3.000]	82.09/[3.232]	80.26/[3.160]					
32	90136-**32	78.74/[3.100]	84.63/[3.332]	82.80/[3.260]					

NOTES

6. FOR PLATING DETAILS SEE SDES 99000-0003

90136 - X X X X



INDICATES NO. OF CIRCUITS

PLATING

- 1 - TYPE A
- 2 - TYPE E
- 3 - TYPE F
- 4 - TYPE G

STYLE - 1 - STRAIGHT ASSEMBLY

STYLE - 2 - RIGHT ANGLE ASSEMBLY

STYLE - 5 - STRAIGHT ASSEMBLY WITH VOIDS

STYLE - 7 - NON STANDARD PRODUCT

7. PLATING TYPES

1 - TYPE A

TIN 3.0µm MIN. OVER 1.27 - 2.54µm NICKEL.

2 - TYPE E

GOLD STRIPE 0.38 - 0.64µm IN SELECTED AREA (2 SIDES) & 3.0µm MIN TIN IN SELECTED AREA OVER 1.3 - 1.78µm NICKEL OVERALL.

3 - TYPE F

GOLD STRIPE 0.762 - 1.02µm IN SELECTED AREA (2 SIDES) & 3.0µm MIN TIN IN SELECTED AREA OVER 1.3 - 1.78µm NICKEL OVERALL.

4 - TYPE G

SELECTIVE GOLD PLATE. GOLD FLASH 0.05 - 0.10µm IN SELECTED AREA AND 3.0µm MIN - 5.0µm MAX TIN IN SELECTED AREA OVER 1.3 - 2.5µm NICKEL OVERALL.

THIS DRAWING CONTAINS INFORMATION THAT IS PROPRIETARY TO MOLEX ELECTRONIC TECHNOLOGIES, LLC AND SHOULD NOT BE USED WITHOUT WRITTEN PERMISSION									
DIMENSION UNITS MM/INCH		SCALE NTS		CURRENT REV DESC: MIGRATED TO NX				<b>molex</b>	
GENERAL TOLERANCES (UNLESS SPECIFIED)				EC NO: 624936					
				DRWN: ABABUPS		2019/09/27		C-GRID III SINGLE ROW STRAIGHT SHROUDED HEADER	
4 PLACES ±		±		CHK'D: MRAMAKRISHNA		2019/10/01		PRODUCT CUSTOMER DRAWING	
3 PLACES ±		± 0.004		APPR: MRAMAKRISHNA		2019/10/01		DOCUMENT NUMBER	
2 PLACES ±		0.1 ±		INITIAL REVISION:		1987/10/30		SDA-90136	
1 PLACE ±		±		DRWN: KS		2011/04/15		PSD 001 AH2	
0 PLACES ±		±		APPR: MLONG		2011/04/15		DOC TYPE DOC PART REVISION	
ANGULAR TOL ± 0.5°		± 0.5°		DRAFT WHERE APPLICABLE MUST REMAIN WITHIN DIMENSIONS		THIRD ANGLE PROJECTION		DRAWING SERIES MATERIAL NUMBER CUSTOMER SHEET NUMBER	
A3-SIZE		90136		SEE TABLE		GENERAL MARKET		3 OF 3	