

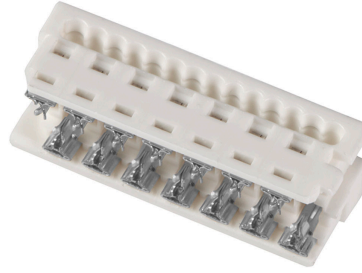
产品编号 : [903270314](#)

Product Description : Picoflex PF-50, Low Profile, IDT Receptacle, 14 Circuits, White, Tin (Sn) Plated, Bag

系列号 : 90327

状态 : Active

Product Category : Connector Housings



文件和资源

图纸

[图纸 903270314_sd.pdf](#)

3D 模型和设计文件

[3D模型 903270314_stp.zip](#)

规格


[应用规格 908140000-AS-000.pdf](#)

[包装规格 PK-90327-001-001.pdf](#)

[产品规格 PS-99020-0011-001.pdf](#)

产物环境合规

合规

GADSL/IMDS	Compliant with Exemption 44
China RoHS	
EU ELV	Not Relevant
Low-Halogen Status	Not Low-Halogen per IEC 61249-2-21
REACH SVHC	Not Contained per D(2023)3788-DC (14 Jun 2023)
EU RoHS	Compliant per EU 2015/863

多部分产品合规性声明

- Eu RoHS
- REACH SVHC
- Low-Halogen

多部分行业合规性文件

- IPC 1752A Class C

- IPC 1752A Class D
- Molex Product Compliance Declaration
- IEC-62474
- chemSHERPA (xml)

欧盟 RoHS 合格证书

产品详情

常规

状态	活动
类别	Connector Housings
系列	90327
说明	Picoflex PF-50, Low Profile, IDT Receptacle, 14 Circuits, White, Tin (Sn) Plated, Bag
个评论	Low Profile
元件类型	Housing
产品系列	Picoflex Ribbon-Cable Connectors
产品名称	Picoflex
UPC	800753753372

机构

CSA	LR19980
UL	E29179

电气

每触点最大电流	1.2A
电压 - 最大	250V

物理

回路数 (已载入)	14
电路数 (最多)	14
颜色-树脂	白色
耐用性(插拔次数) - 最多次数	30
进入角度	垂直
阻燃性	94V-0
性别	Receptacle

符合灼热丝规范	否
锁定插接部位	是
材料 - 金属	Phosphor Bronze
材料 - 接合部位电镀	Tin
材料 - 终端电镀	Tin
材料 - 树脂	Polyester
净重	0.692/g
行数	2
包装形式	Bag
PCB 定位器	否
PCB 保持力	无
间距 - 插配接口	1.27mm
间距 - 终端界面	1.27mm
有极性的插配件	是
PCB 极性	否
有护墙的	Fully
可堆叠的	否
运行温度范围	-40° to +105° C
终端界面类型	IDT or Pierce
导线/电缆型号	Ribbon Cable
导线绝缘直径	1.00mm max.
线径规格 (AWG)	26, 28

进程

无铅	不适用
----	-----

可配插/可连接使用的产品

可配插部件

描述	产品编号
Picoflex PF-50 Vertical Low Profile Headers	<u>90325</u>
Picoflex PF-50 Vertical Low Profile Headers	<u>90779</u>
Picoflex PF-50 Vertical Surface Mount Headers	<u>90814</u>

施工工具

全局

描述	产品编号
Extractor Tool for Connectors	<u>0621006000</u>
Extraction Tool for Picoflex PF-50 Connectors, 4-26 Circuits	<u>0690081070</u>
PremiumGrade Hand Crimp Tool for Picoflex PF-50 IDT Receptacle, 4-26 Circuits, 26 or 28 AWG Flat Cable, 1.00mm max. Thickness	<u>0690081090</u>
Arbor Press Fixture	<u>0690201902</u>
Semi-Automatic Bench Press PB14 for 4-26 Circuit	<u>0691271001</u>
Semi-Automatic PB14 Bench Press with Auto De-reeling	<u>0691271004</u>
Assembly of De-Tape Unit for Semi-Automatic Bench Press PB14	<u>0691275045</u>

NOTES:

1. COMPATIBLE WITH MOLEX PT 90325, 90814, 90816.
2. USE WITH CABLES 28AWG STD. 26AWG STD. AND 26AWG (69 STRANDS) SUPERFLEX.
3. TERMINATION SPECIFICATION: ES-99033-0001.
4. PRODUCT SPECIFICATION: PS-99020-0011
5. PACKAGING SPEC: PK-90327-001

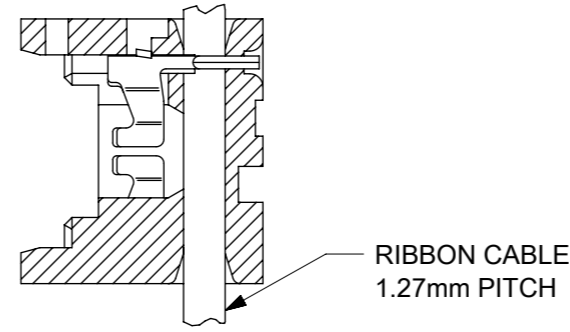
HOUSING:

MATL: POLYESTER RATED AT UL 94 V-0,
COLOUR WHITE.

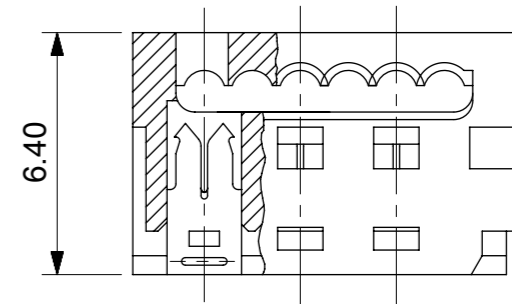
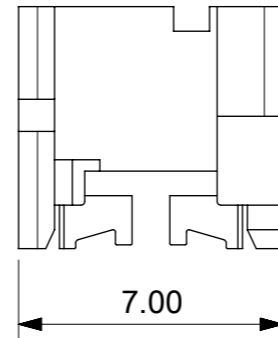
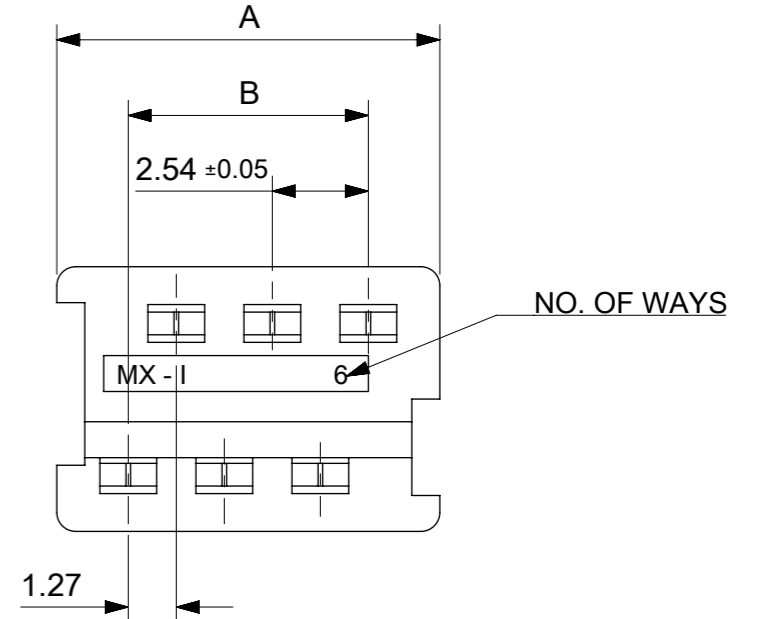
IDT CONTACT

MATL. PHOS BRONZE 0.17 THK HV 180-200
PLATING. TIN: 2-4µm PURE TIN
PLATING. UNDERPLATED 1.27µm MIN NICKEL
3-5µm SELECTIVE TIN & 0.76µm MIN. SELECTIVE GOLD

90327 - * 3 * *
0 = 2µm PRE TIN ASSY
3 = 0.76µm GOLD ASSY
SEE CONTACT PLATING NOTE
04 TO 26 = CCT SIZE, 51 TO 98 = ASSY ON REELS, SEE CHART
COLOUR WHITE



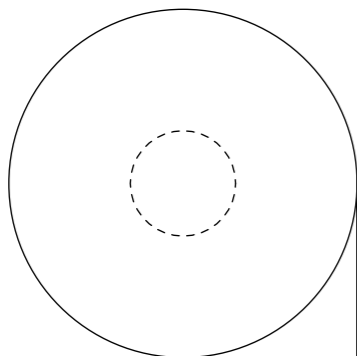
**SECTION SHOWING
ASSY AFTER TERMINATION
SEE NOTE 3**



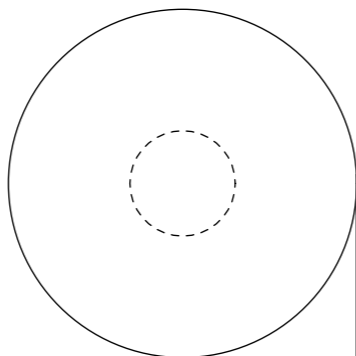
90327-*326	26	35.53	31.75
-*324	24	32.99	29.21
-*322	22	30.45	26.67
-*320	20	27.91	24.13
-*318	18	25.37	21.59
-*316	16	22.83	19.05
-*314	14	20.29	16.51
-*312	12	17.75	13.97
-*310	10	15.21	11.43
-*308	8	12.67	8.89
-*306	6	10.13	6.35
9327-*304	4	7.59	3.81
PART NO.	CCT SIZE	DIMENSION A	DIMENSION B

FUNCTIONAL SYMBOLS	THIS DRAWING CONTAINS INFORMATION THAT IS PROPRIETARY TO MOLEX ELECTRONIC TECHNOLOGIES, LLC AND SHOULD NOT BE USED WITHOUT WRITTEN PERMISSION	
DIMENSION UNITS	SCALE	CURRENT REV DESC: CAD MIGRATION
$\nabla_A = 0$	mm	5:1
$\nabla_F = 0$	GENERAL TOLERANCES (UNLESS SPECIFIED)	
$\nabla_{F'} = 0$	ANGULAR TOL ± 2°	
DIVISIONAL SYMBOLS	4 PLACES	±
	3 PLACES	±
	2 PLACES	± 0.10
	1 PLACE	± 0.2
	0 PLACES	±
DRAFT WHERE APPLICABLE MUST REMAIN WITHIN DIMENSIONS		THIRD ANGLE PROJECTION
DRAWING		SERIES
A3-SIZE		90327
MATERIAL NUMBER		CUSTOMER
SEE CHART		GENERAL MARKET
DOCUMENT NUMBER		DOC TYPE DOC PART REVISION
SDA-90327		PSD 001 AK1
EC NO: 738955		DRWN: GOWTHP 2023/02/02
CHK'D: GOWTHP 2023/02/16		APPR: ISHWARG 2023/02/20
INITIAL REVISION:		DRWN: NPC 1987/07/28
APPR: JDENNDHY 2004/09/16		
SHEET NUMBER		1 OF 2

REELING OPTION A

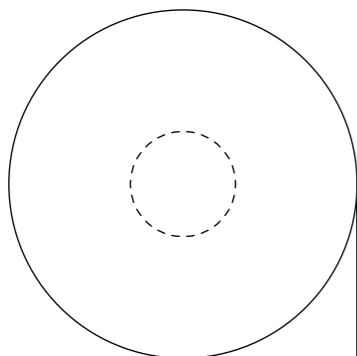


REELING OPTION B

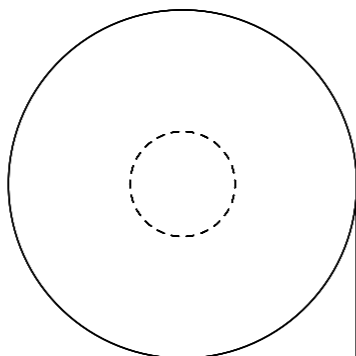


NARROW POLARISING SLOT

REELING OPTION C

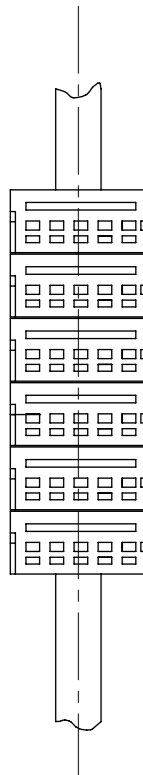


REELING OPTION D



WIDE POLARISING SLOT

REEL ASSY NO.	PART NO.	CCT SIZE	REELING OPTION	REEL ASSY NO.	PART NO.	CCT SIZE	REELING OPTION
90327-*351	90327-*304	4	A	90327-*375	90327-*316	16	A
*352			B	*376			B
*353			C	*377			C
90327-*354			D	90327-*378			D
90327-*355	90327-*306	6	A	90327-*379	90327-*318	18	A
*356			B	*380			B
*357			C	*381			C
90327-*358			D	90327-*382			D
90327-*359	90327-*308	8	A	90327-*383	90327-*320	20	A
*360			B	*384			B
*361			C	*385			C
90327-*362			D	90327-*386			D
90327-*363	90327-*310	10	A	90327-*387	90327-*326	26	A
*364			B	*388			B
*365			C	*389			C
90327-*366			D	90327-*390			D
90327-*367	90327-*312	12	A	90327-*391	90327-*322	22	A
*368			B	*392			B
*369			C	*393			C
90327-*370			D	90327-*394			D
90327-*371	90327-*314	14	A	90327-*395	90327-*324	24	A
*372			B	*396			B
*373			C	*397			C
90327-*374			D	90327-*398			D



FUNCTIONAL SYMBOLS	THIS DRAWING CONTAINS INFORMATION THAT IS PROPRIETARY TO MOLEX ELECTRONIC TECHNOLOGIES, LLC AND SHOULD NOT BE USED WITHOUT WRITTEN PERMISSION		CURRENT REV DESC: CAD MIGRATION		molex			
	▽A = 0	mm						1:1
DIVISIONAL SYMBOLS	GENERAL TOLERANCES (UNLESS SPECIFIED)		EC NO: 738955		IDT ASSEMBLY PICOFLEX			
	▽E = 0	ANGULAR TOL ± 2.0°		DRWN: GOWTHP				2023/02/02
	▽F = 0	4 PLACES ±	3 PLACES ±	CHK'D: GOWTHP	2023/02/16	PRODUCT CUSTOMER DRAWING		
	▽G = 0	2 PLACES ± 0.10	1 PLACE ± 0.2	APPR: ISHWARG	2023/02/20			
	0 PLACES ±	DRAFT WHERE APPLICABLE MUST REMAIN WITHIN DIMENSIONS		INITIAL REVISION:	DOCUMENT NUMBER		DOC TYPE	DOC PART
THIRD ANGLE PROJECTION		DRAWING	SERIES	MATERIAL NUMBER	CUSTOMER	SHEET NUMBER		
A3-SIZE		90327	SEE CHART	GENERAL MARKET	2 OF 2			