

产品编号 : 918139002

**Product Description** : 5.08mm Pitch KK Crimp Housing, 2 Circuits, White, Glow-Wire Capable

系列号 : 91813

**状态** : Active

**Product Category** : Connector Housings

---

## 文件和资源

### 图纸

[图纸 918139002\\_sd.pdf](#)

[包装设计图 30010001-PK-000.pdf](#)

### 3D 模型和设计文件

[3D模型 918139002\\_stp.zip](#)


### 规格

[产品规格 PS-99020-0087-001.pdf](#)

---

## 产物环境合规

### 合规

GADSL/IMDS	Not Relevant
China RoHS	
EU ELV	Not Relevant
Low-Halogen Status	Not Low-Halogen per IEC 61249-2-21
REACH SVHC	Not Contained per D(2023)8585-DC (23 Jan 2024)
EU RoHS	Compliant per EU 2015/863

### 多部分产品合规性声明

- Eu RoHS
- REACH SVHC
- Low-Halogen
  
- IPC 1752A Class C
- IPC 1752A Class D
- Molex Product Compliance Declaration
- IEC-62474
- chemSHERPA (xml)

产品详情

常规

状态	活动
类别	Connector Housings
系列	91813
说明	5.08mm Pitch KK Crimp Housing, 2 Circuits, White, Glow-Wire Capable
应用	Power, Wire-to-Board
个评论	<p>This Molex product is manufactured from material that has the following ratings, tested by independent agencies: a) A Glow Wire Ignition Temperature (GWIT) of at least 775 deg C per IEC 60695-2-13. b) A Glow Wire Flammability Index (GWFI) above 850 deg C per IEC 60695-2-12 and hence complies with the requirements set out in the International Standard IEC 60335-1 5th edition - household and similar electrical appliances - safety, section 30 Resistance to heat and fire. The customers using this product must determine its suitability for use in their particular application through testing or other acceptable means as described in end-product glow-wire flammability test standard IEC 60695-2-11 and any applicable product end-use standard(s). If it is determined during the customer's evaluation of suitability, that higher performance is required, please contact Molex for possible product options.</p>
产品系列	KK Interconnect Systems
产品名称	KK 508
UPC	800756783826

机构

UL	E29179
----	--------

## 物理

断开	否
电路数 (最多)	2
颜色-树脂	Natural (White)
阻燃性	94V-2
性别	Receptacle
符合灼热丝规范	是
材料 - 树脂	Nylon
净重	0.624/g
行数	1
包装形式	Bag
面板安装式	否
间距 - 插配接口	5.08mm
间距 - 终端界面	5.08mm
有极性的插配件	是
端口	1
可堆叠的	否
运行温度范围	See Product Specification

---

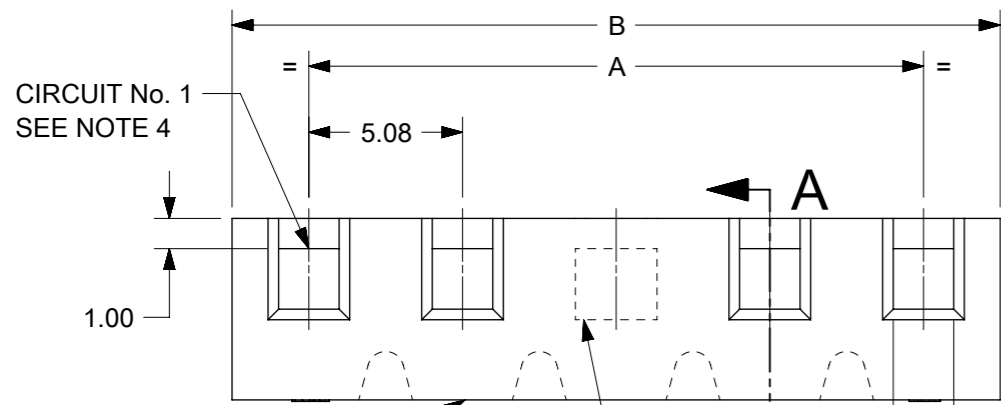
## 可配插/可连接使用的产品

### 可配插部件

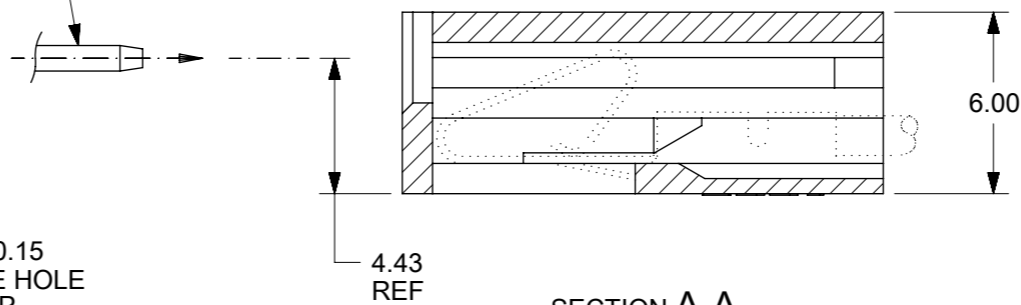
描述	产品编号
KK 508 Vertical Headers	<u>173083</u>

### 可连接使用部件

描述	产品编号
KK 396 Female Crimp Terminals	<u>2478</u>
KK 396 Female Crimp Terminals	<u>2578</u>
KK Female Crimp Terminals	<u>2878</u>



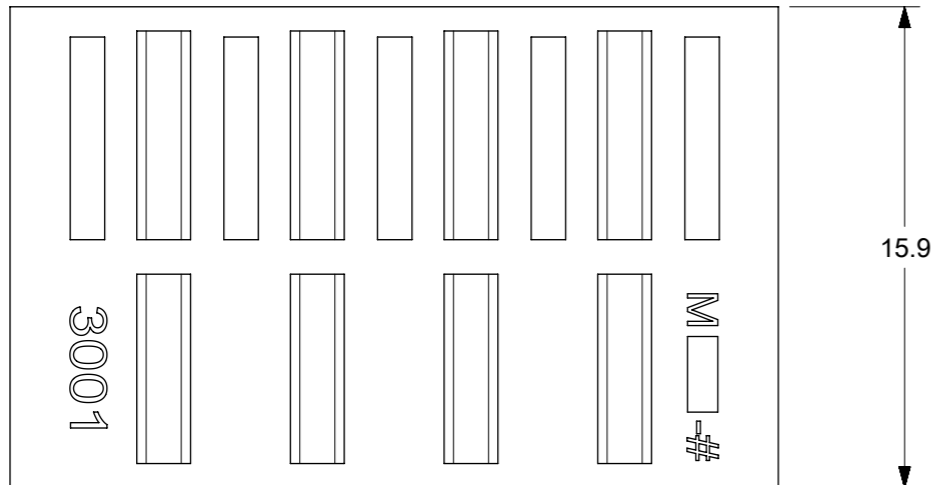
1.14 REF. ROUND OR SQUARE PIN.



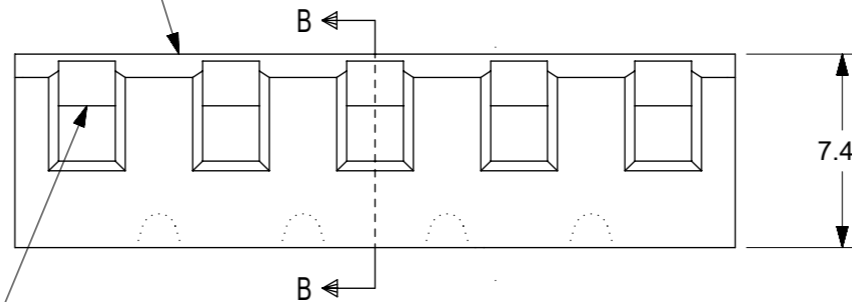
HOUSING OPTION WITHOUT RAMP 91813-90\*\*

OPTIONAL VOIDED CIRCUIT SEE CHART FOR LOCATION

2.0 ±0.15 SQUARE HOLE TYP



HOUSING OPTION WITH RAMP 91813-91\*\*

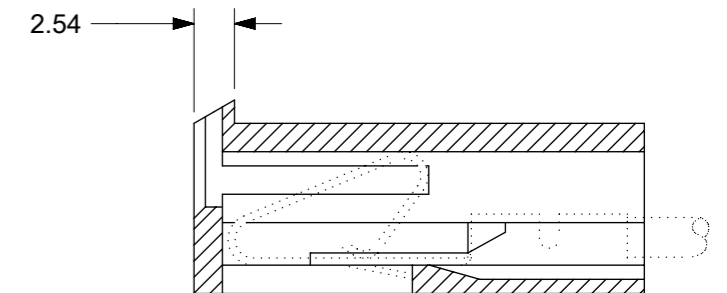


CIRCUIT No. 1 SEE NOTE 4

12	91813-9012	91813-9112	55.88 +0.50 -0.25	60.96 +0.60 -0.30
11	↑ -9011	↑ -9111	50.80 +0.45 -0.20	55.88 +0.55 -0.30
10	↑ -9010	↑ -9110	45.72 +0.30 -0.20	50.80 +0.40 -0.20
9	↑ -9009	↑ -9109	40.64 +0.25 -0.20	45.72 +0.40 -0.20
8	↑ -9008	↑ -9108	35.56 ±0.20	40.64 +0.35 -0.20
7	↑ -9007	↑ -9107	30.48 ±0.20	35.56 +0.30 -0.20
6	↑ -9006	↑ -9106	25.40 +0.15 -0.10	30.48 +0.25 -0.20
5	↑ -9005	↑ -9105	20.32 +0.15 -0.10	25.40 +0.25 -0.15
4	↑ -9004	↑ -9104	15.24 ±0.10	20.32 +0.20 -0.15
3	↓ -9003	↓ -9103	10.16 ±0.10	15.24 +0.20 -0.15
2	91813-9002	91813-9102	5.08 ±0.10	10.16 +0.10 -0.15
CKT. SIZE	PART NO. WITHOUT RAMP	PART NO. WITH RAMP	A	B
DIMENSION				

HOUSINGS WITH VOIDED CIRCUITS

5		91813-9121	20.32 +0.15 -0.10	25.40 +0.25 -0.15	2, 4
CKT. SIZE	PART NO. WITHOUT RAMP	PART NO. WITH RAMP	A	B	VOIDED CIRCUIT
DIMENSION					



SECTION B-B

NOTE:

1. MATERIAL: POLYAMIDE (PA6), UL-94V-2  
COLOR: WHITE
2. FINISH: N/A
3. PRODUCT SPECIFICATION: PS-99020-0087
4. CIRCUIT 1 MAY OR MAY NOT LINE UP WITH CIRCUIT 1 OF THE MATING PART.
5. THIS PART CONFORMS TO CLASS B REQUIRMENTS OF COSMETIC SPECIFICATION PS-45499-002.
6. THIS HOUSING USES KK TERM. No's. 2478, 2578 & 2878.
7. COLOR VARIATION MAY BE VISIBLE ON THE HOUSING SURFACES.

THIS DRAWING CONTAINS INFORMATION THAT IS PROPRIETARY TO MOLEX ELECTRONIC TECHNOLOGIES, LLC AND SHOULD NOT BE USED WITHOUT WRITTEN PERMISSION										
QUALITY SYMBOLS	DRAWING UPDATED		GENERAL TOLERANCES (UNLESS SPECIFIED)		DIMENSION UNITS		SCALE		<p>5.08MM KK CRP TERM HSG GLOW WIRE COMPATIBLE</p> <p>PRODUCT CUSTOMER DRAWING</p>	
▽A = 0	2017/11/15	2018/02/06	MM	INCH	MM	4:1	DRWN BY: DWASZKIEWICZ DATE: 2006/06/08			
▽E = 0	2018/02/06	2018/02/08	4 PLACES ±	±	CHK'D BY: J.DENNEHY DATE:		APPR BY: FSMITH DATE: 2010/12/06			
▽B = 0	EC NO: 171927	DRWN: PKH	3 PLACES ±	±	DRAWING SIZE: A3		THIRD ANGLE PROJECTION			
▽D = 0	CHKD: SS06	APPR: ISHWARG	2 PLACES ±	0.25 ±	ANGULAR TOL = 0.5		SERIES: 91813		MATERIAL NUMBER: SEE CHART	
▽ = 0			1 PLACES ±	0.35 ±	DRAFT WHERE APPLICABLE MUST REMAIN WITHIN DIMENSIONS		CUSTOMER: GENERAL MARKET		DOCUMENT NUMBER: SD-91813-001	
▽C = 0			0 PLACES ±	±			DOC TYPE: PSD		DOC PART: 001	
▽ = 0							SHEET NUMBER: 1 OF 1			