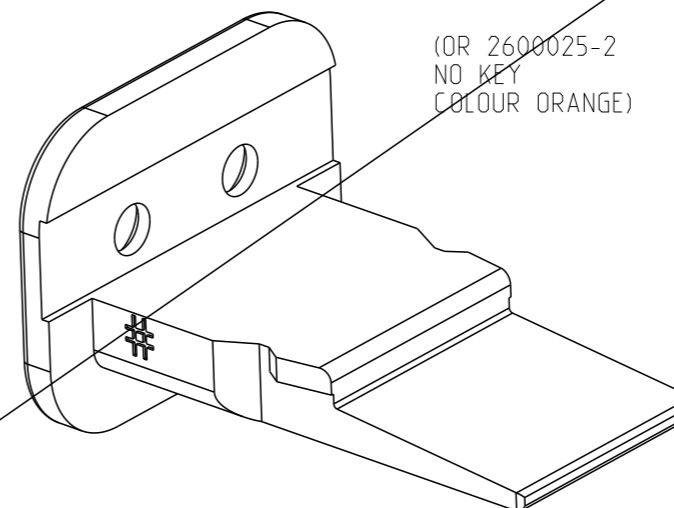
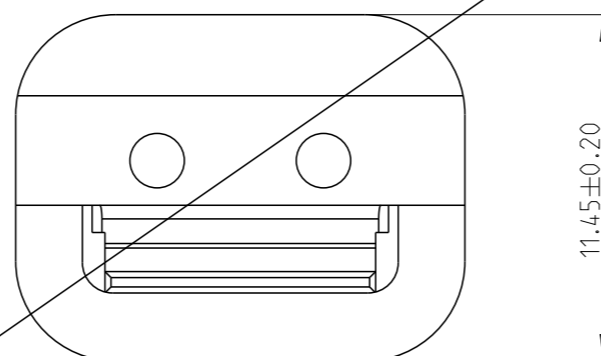
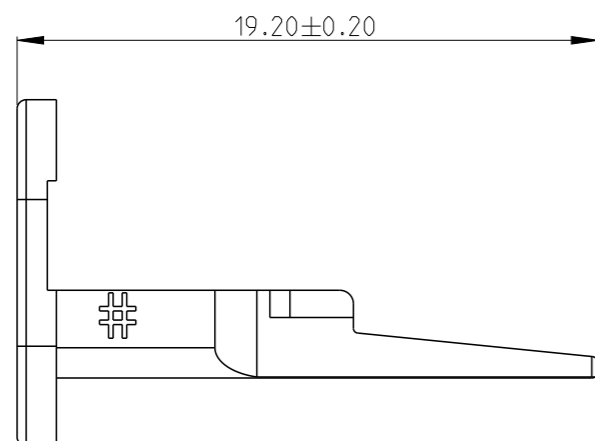
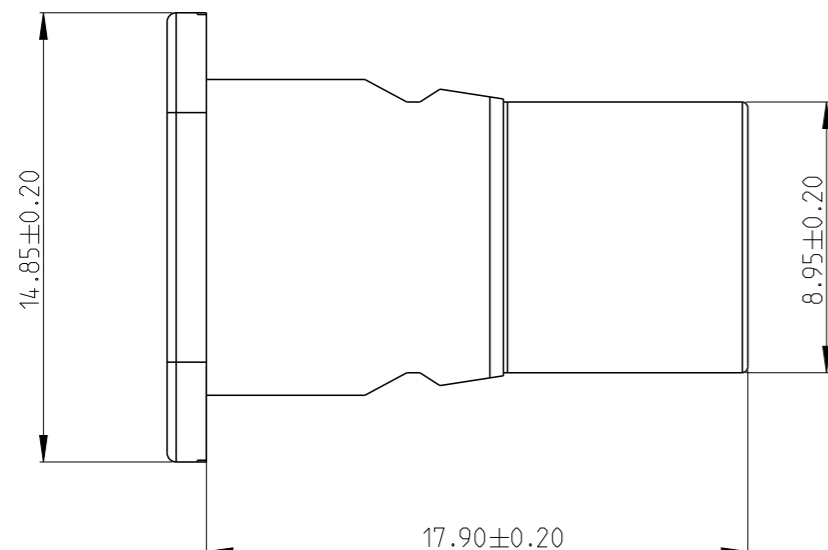


P	LTR	DESCRIPTION	DATE	DWN	APVD
	A	INITIAL RELEASE	18 JUN 2020	J.S	I.Y
	A1	ECR-20-010349	26 JUL 2020	J.G	I.Y
	A2	ECN-22-139062	15 FEB 2022	J.G	Z.Z




2600025-1
NO KEY
COLOUR GREEN

(OR 2600025-2
NO KEY
COLOUR ORANGE)

OBSOLETE

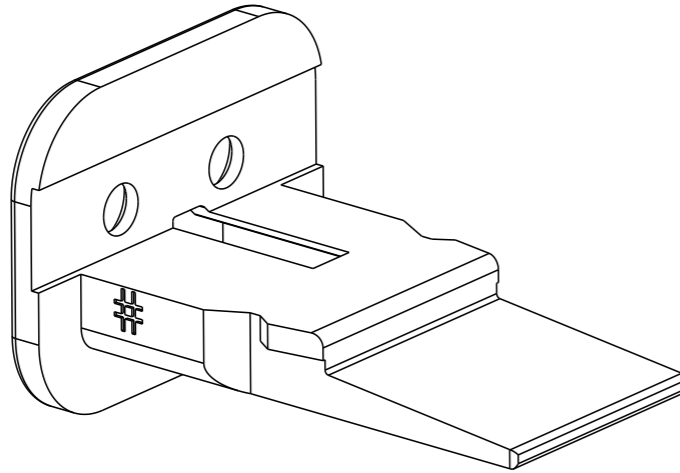
2600025-6	934481047	BROWN	D	NYLON GF30 BROWN
2600025-5	934481033	GREEN	C	NYLON GF30 GREEN
2600025-4	934481021	BLACK	B	NYLON GF30 BLACK
2600025-3	934481012	GREY	A	NYLON GF30 GREY
2600025-2	934481008	ORANGE	-	NYLON GF30 ORANGE
2600025-1	934481003	GREEN	-	NYLON GF30 GREEN
TE PN	ALIAS PN	COLOUR	KEY	MATERIAL

1. THIS PLUG WEDGELOCK USED FOR PLUG CONNECTOR, PN X-2600023-X.

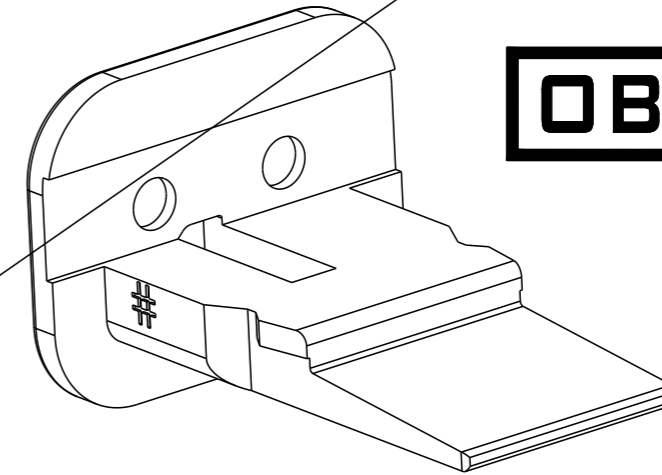
THIS DRAWING IS A CONTROLLED DOCUMENT.		DWN J.Gu 26 JUL 2020	 TE Connectivity	
DIMENSIONS: mm		CHK E.Jiang 26 JUL 2020		
TOLERANCES UNLESS OTHERWISE SPECIFIED:		APVD I.Yin 26 JUL 2020	NAME 2CCT DT-XT PLUG WEDGELOCK	
0 PLC ± 1 PLC ± 2 PLC ± 3 PLC ± 4 PLC ± ANGLES ±		PRODUCT SPEC 108-160026	RESTRICTED TO	
MATERIAL		APPLICATION SPEC 114-160017	SIZE A3	CAGE CODE 00779
FINISH		WEIGHT -	DRAWING NO C=2600025	SCALE 4:1
		CUSTOMER DRAWING	SHEET 1 OF 3	REV A2

P	LTR	DESCRIPTION	DATE	DWN	APVD
		SEE SHEET 1			

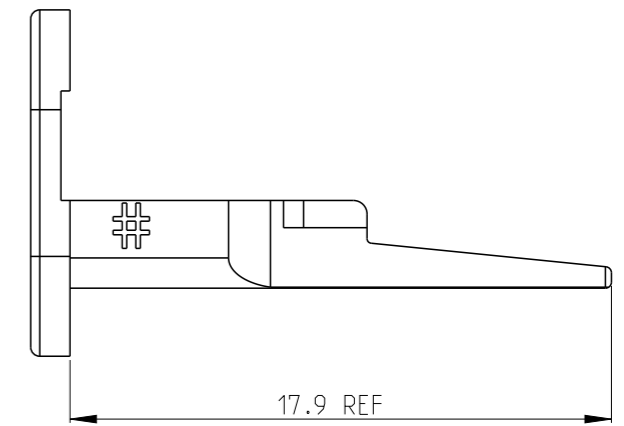
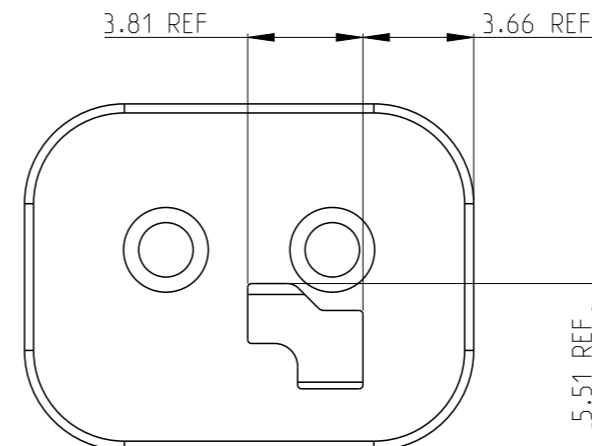
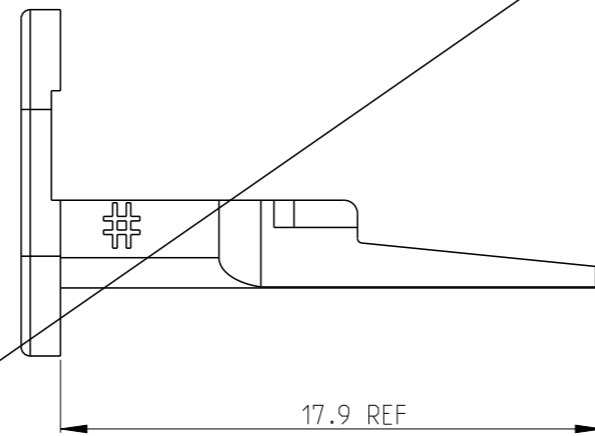
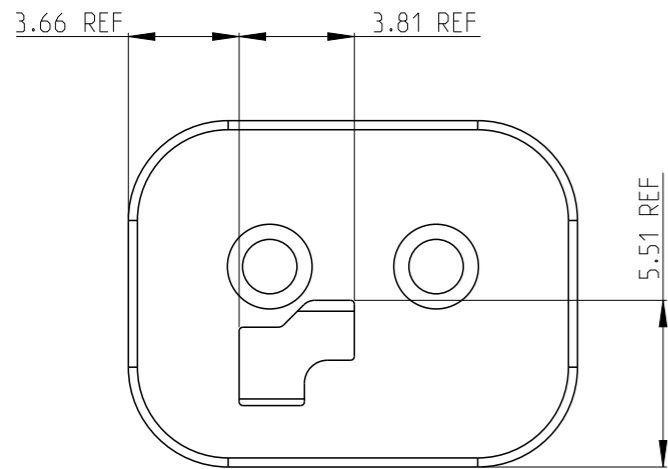
2600025-3
KEY A
COLOUR GREY



2600025-4
KEY B
COLOUR BLACK



OBSOLETE



THIS DRAWING IS A CONTROLLED DOCUMENT.

DIMENSIONS: mm	TOLERANCES UNLESS OTHERWISE SPECIFIED:
	0 PLC ±
	1 PLC ±
	2 PLC ±
	3 PLC ±
	4 PLC ±
	ANGLES ±
MATERIAL	FINISH
-	-
-	-

DWN	J.Gu	26 JUL 2020
CHK	E.Jiang	26 JUL 2020
APVD	L.Yin	26 JUL 2020
PRODUCT SPEC	108-160026	
APPLICATION SPEC	114-160017	
WEIGHT	-	
CUSTOMER DRAWING		

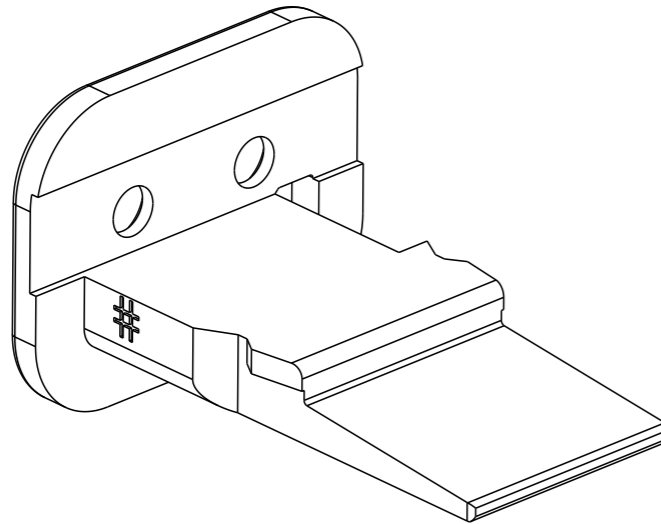


NAME 2CCT DT-XT PLUG WEDGELOCK

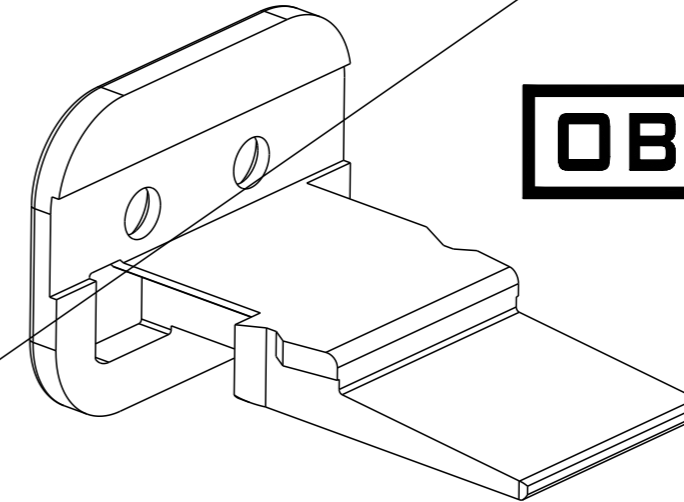
SIZE	CAGE CODE	DRAWING NO	RESTRICTED TO
A3	00779	©-2600025	-
SCALE 3:1		SHEET 2 OF 3	REV A2

P	LTR	DESCRIPTION	DATE	DWN	APVD
		SEE SHEET 1			

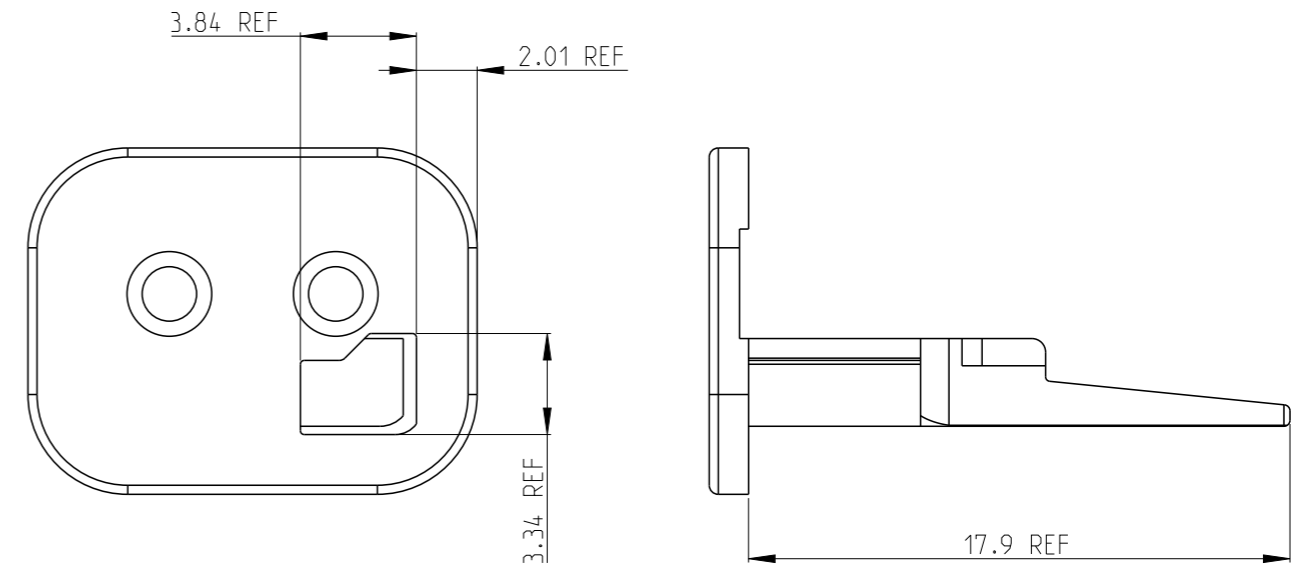
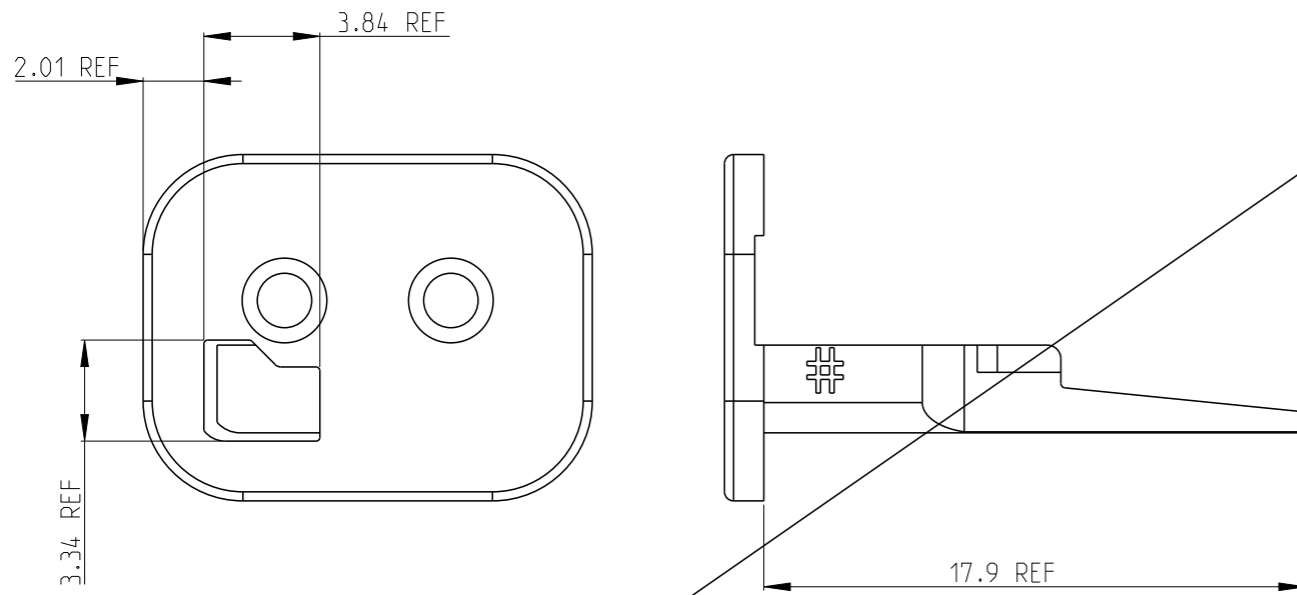
2600025-5
KEY C
COLOUR GREEN



2600025-6
KEY D
COLOUR BROWN



OBSOLETE



THIS DRAWING IS A CONTROLLED DOCUMENT.		DWN J. Gu 26 JUL 2020	TE Connectivity NAME 2CCT DT-XT PLUG WEDGELOCK			
DIMENSIONS: mm		CHK E. Jiang 26 JUL 2020				
TOLERANCES UNLESS OTHERWISE SPECIFIED:		APVD L. Yin 26 JUL 2020				
0 PLC ± 1 PLC ± 2 PLC ± 3 PLC ± 4 PLC ± ANGLES ±		PRODUCT SPEC 108-160026				
MATERIAL		APPLICATION SPEC 114-160017	SIZE A3	CAGE CODE 00779	DRAWING NO C-2600025	RESTRICTED TO
FINISH		WEIGHT	SCALE 3:1		SHEET 3 OF 3	REV A2
		CUSTOMER DRAWING				

Mouser Electronics

Authorized Distributor

Click to View Pricing, Inventory, Delivery & Lifecycle Information:

[TE Connectivity:](#)

[934481003](#)