



产品编号 : 938263006

**Product Description** : MXMag Gigabit Ethernet 8 Core Non-PoE Dual-Port RJ45 Connector, 21.40mm Depth, 2.70mm Phy Pin Length, Right-Angle, Inverted Profile, with Shield Tabs, with Green-Yellow LEDs, Standard Temperature, Tray

系列号 : 93826

**状态** : Active

**Product Category** : Modular Jacks and Plugs

---

## 文件和资源

### 图纸

图纸 938263006\_sd.pdf

### 3D 模型和设计文件

3D模型 938263006\_stp.zip

### 规格


包装规格 938240001-K.pdf

产品规格 934620001-N.pdf

---

## 产物环境合规

### 合规

GADSL/IMDS	Not Relevant
China RoHS	
EU ELV	Not Relevant
Low-Halogen Status	Not Low-Halogen per IEC 61249-2-21
REACH SVHC	Contains Lead monoxide per D(2023)3788-DC (14 Jun 2023)
EU RoHS	Compliant with Exemption 7(c)-I per EU 2015/863

### 多部分产品合规性声明

- Eu RoHS
- REACH SVHC
- Low-Halogen
  
- IPC 1752A Class C
- IPC 1752A Class D

- Molex Product Compliance Declaration

- IEC-62474

- chemSHERPA (xml)

欧盟 RoHS 合格证书

---

## 产品详情

### 常规

状态	活动
类别	Modular Jacks and Plugs
系列	93826
说明	MXMag Gigabit Ethernet 8 Core Non-PoE Dual-Port RJ45 Connector, 21.40mm Depth, 2.70mm Phy Pin Length, Right-Angle, Inverted Profile, with Shield Tabs, with Green-Yellow LEDs, Standard Temperature, Tray
元件类型	PCB Jack
关键字	MagJack, Mag Jack, Magnetic Jack, MagJacks, Mag Jacks, Magnetic Jacks, Mag-Jack, Mag-Jacks
磁性的	是
性能分类	1000Mb
以太网电源 (PoE)	Non-PoE
产品系列	Magnetic Jacks
产品名称	Magnetic Jack, MXMag, RJ45
UPC	191128275989

### 电气

每触点最大电流	0.5A
面板接地	是
PCB接地	是
屏蔽	是
电压 - 最大	125V

### 物理

颜色-树脂	黑色
深度	21.40mm

耐用性(插拔次数) - 最多次数	2500
向下 / 向上锁闩	是
插孔高度	14.10mm
插接极性	无
光管/发光二极管	LEDs
材料 - 金属	Phosphor Bronze
材料 - 接合部位电镀	Gold over Palladium Nickel
材料 - 终端电镀	Tin
材料 - 树脂	Liquid Crystal Polymer
净重	11.200/g
方向	Right Angle (Side Entry)
包装形式	Tray
面板安装式	Spring Tabs
PCB 定位器	是
PCB 保持力	无
推荐的 PCB 厚度	1.57mm
最薄镀层 - 接合部位	0.051 $\mu$ m (Au), 1.016 $\mu$ m (PdNi)
端口配置	1x2
位置/插入的接头	8/8
运行温度范围	0° to +70° C
终端界面类型	Through Hole
导线/电缆型号	不适用

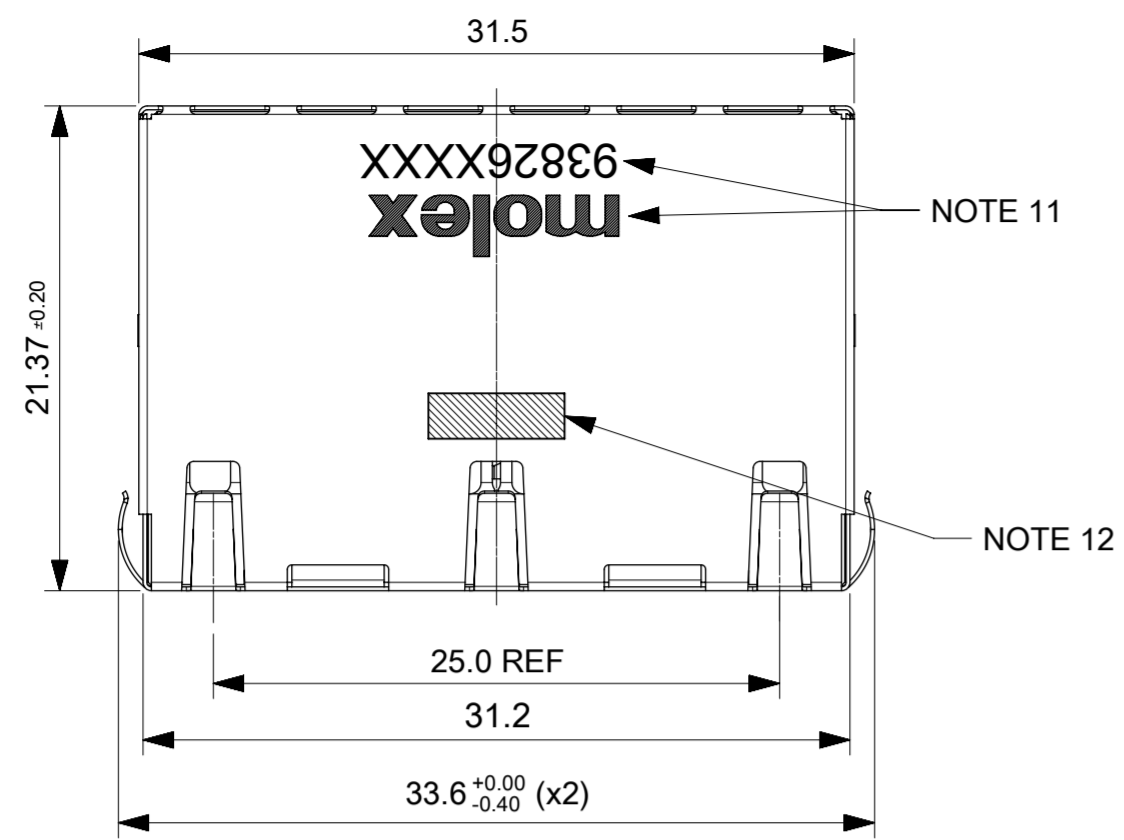
---

## 可配插/可连接使用的产品

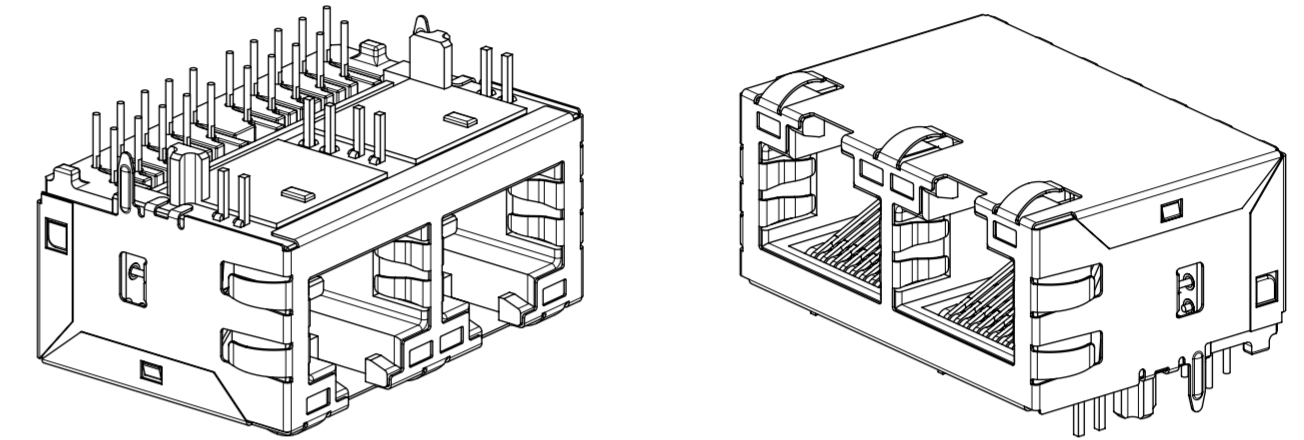
### 可配插部件

描述	产品编号
配插使用	IEC 60603 / TIA-1096-A

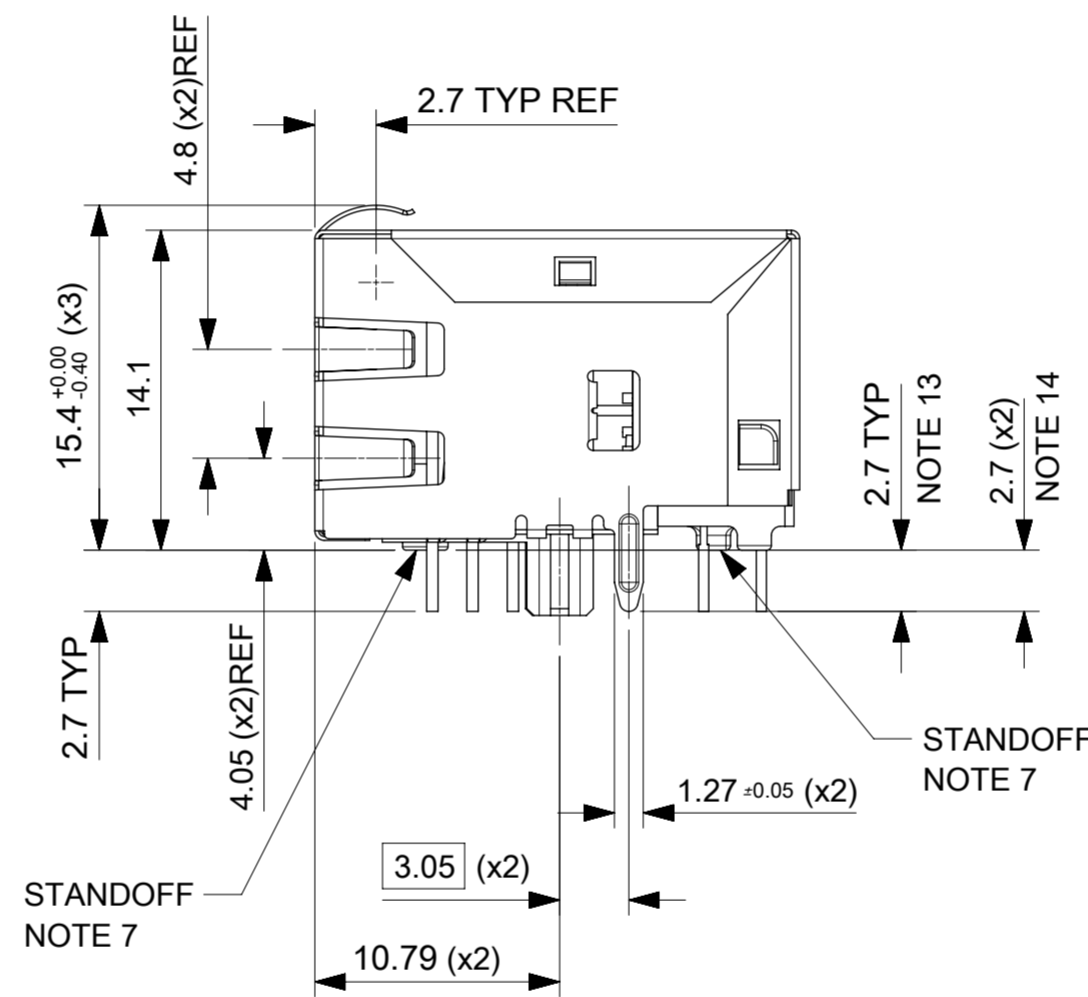
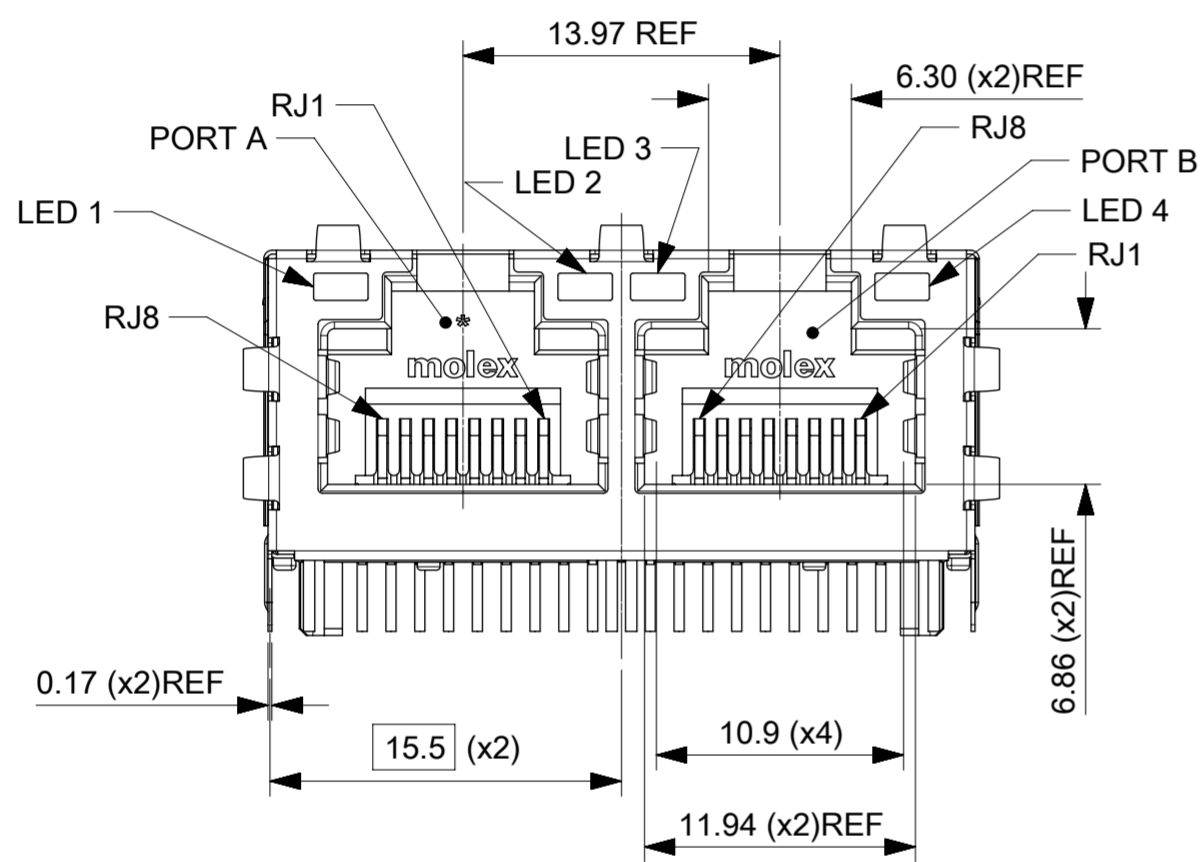
---



PART NO.	LED COLOR			
	LED 1	LED 2	LED 3	LED 4
938263006	GREEN	YELLOW	GREEN	YELLOW

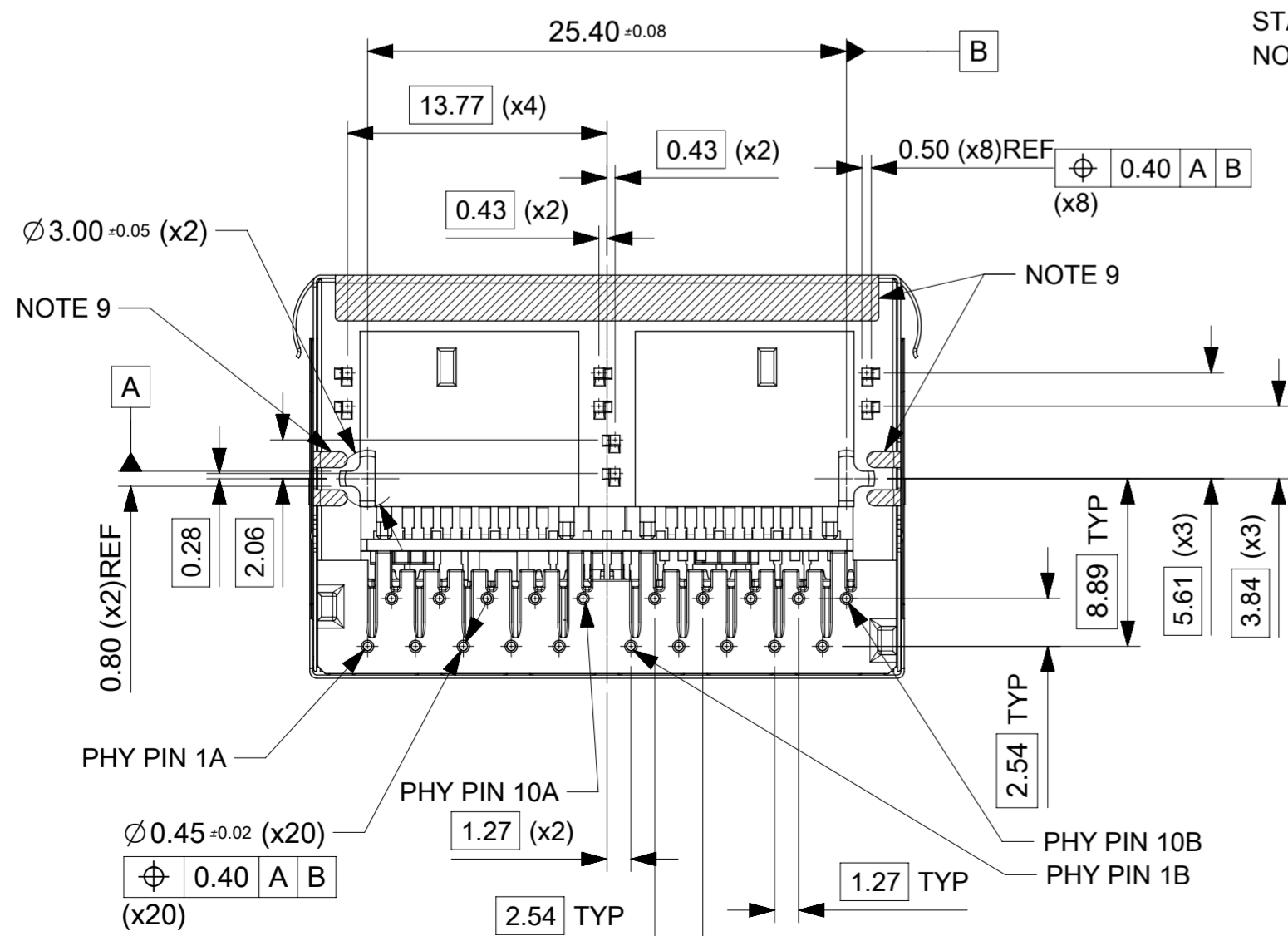


INVERTED PROFILE DUAL PORT MAGNETIC JACK  
GIGABIT ETHERNET  
WITH LED  
WITH SHIELD TABS



NOTES:

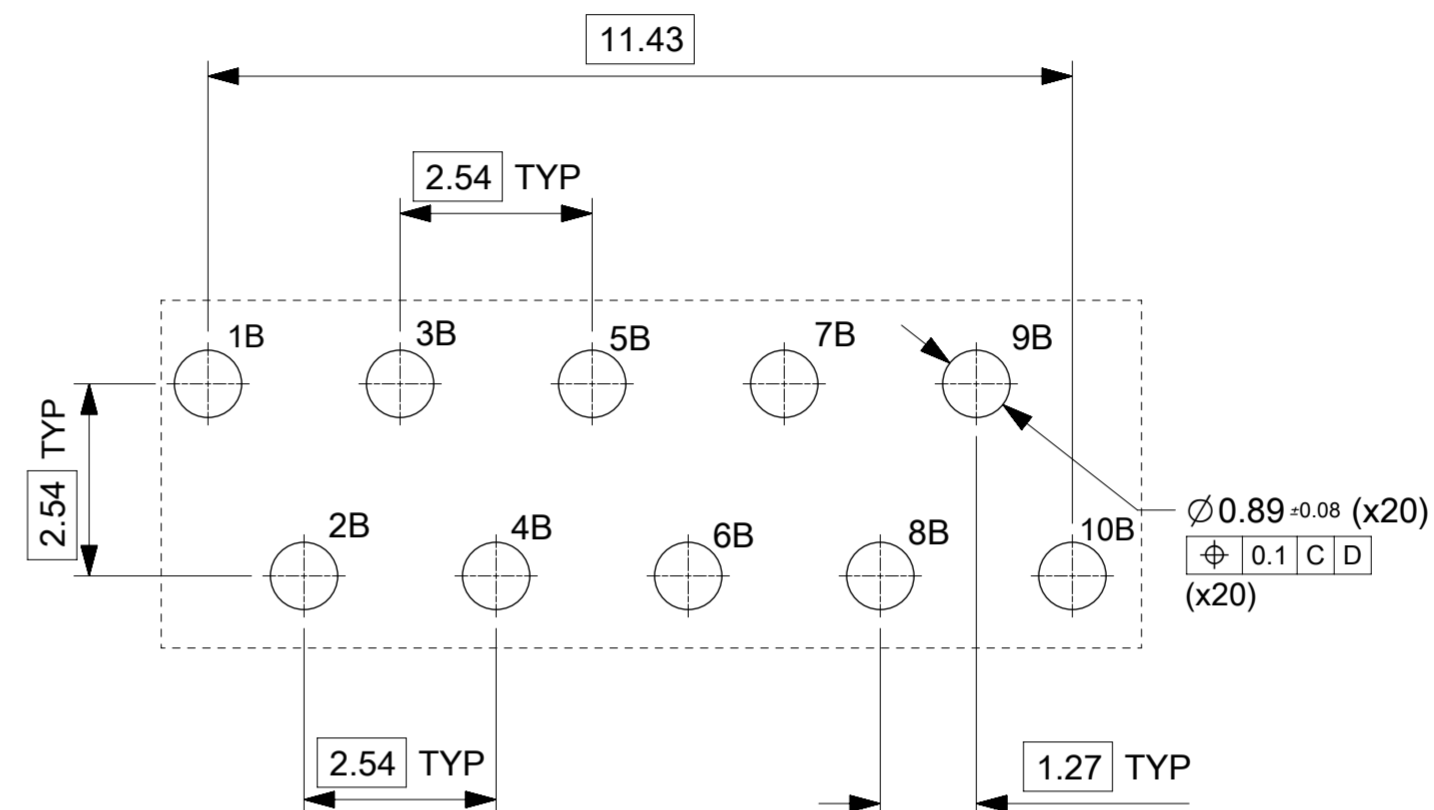
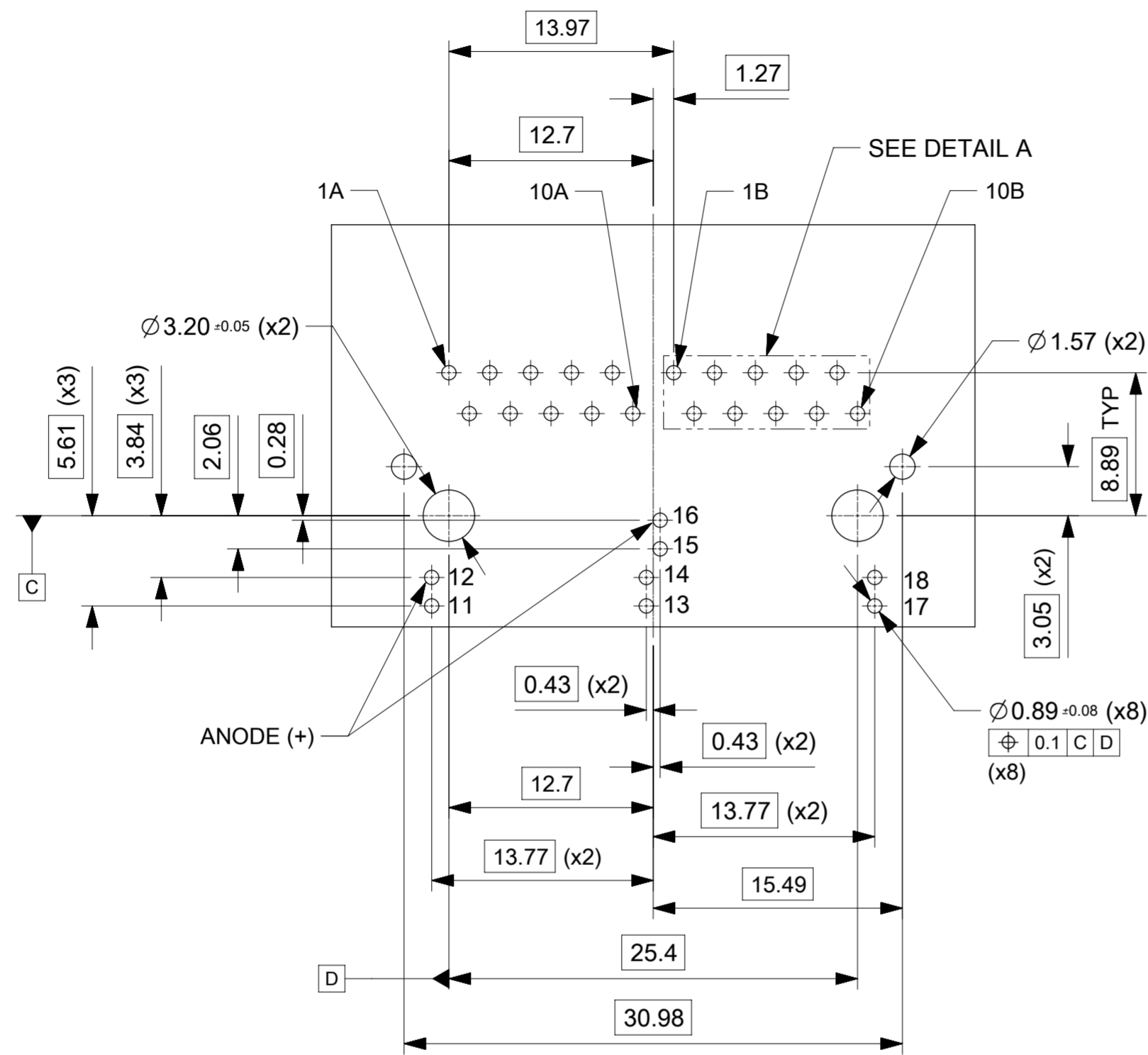
- SHIELD MATERIAL: 0.17 mm THICK BRASS PRE-PLATED WITH NICKEL  
SOLDER TABS POST DIPPED WITH MIN. 1.27 μm TIN
- HOUSING MATERIAL: LCP, BLACK, UL 94V-0
- TERMINALS MATERIAL: PHOSPHOR BRONZE  
RJ45 CONTACTS PLATING: BASE NICKEL PLATED WITH GOLD  
FLASH OVER PALLADIUM NICKEL. REFER TO 934620001 PSP  
PHY SOLDER TAILS: COPPER ALLOY
- MATING INTERFACE ACCORDING TO IEC 60603-7 & TIA-1096-A
- PRODUCT SPECIFICATION: 934620001 PSP
- PACKAGING SPECIFICATION: 938240001 PSK TRAY
- STAND OFF TO SYSTEM BOARD 0.30 mm MIN
- RECOMMENDED PCB THICKNESS: 1.6 mm
- SHIELD: AVOID ROUTING TRACES  
OR PLACING ANY VIAS BELOW THESE AREAS.
- MATERIAL COMPLIANT TO RoHS DIRECTIVE 2002/95/EC
- INSCRIPTION MARKED BY LASER:  
1st: MOLEX  
2nd: PART NUMBER
- INSCRIPTION MARKED BY LASER:  
DATE CODE (DAY/WEEK/YEAR)
- PHY PIN LENGTH
- SHIELD SOLDER TAB LENGTH



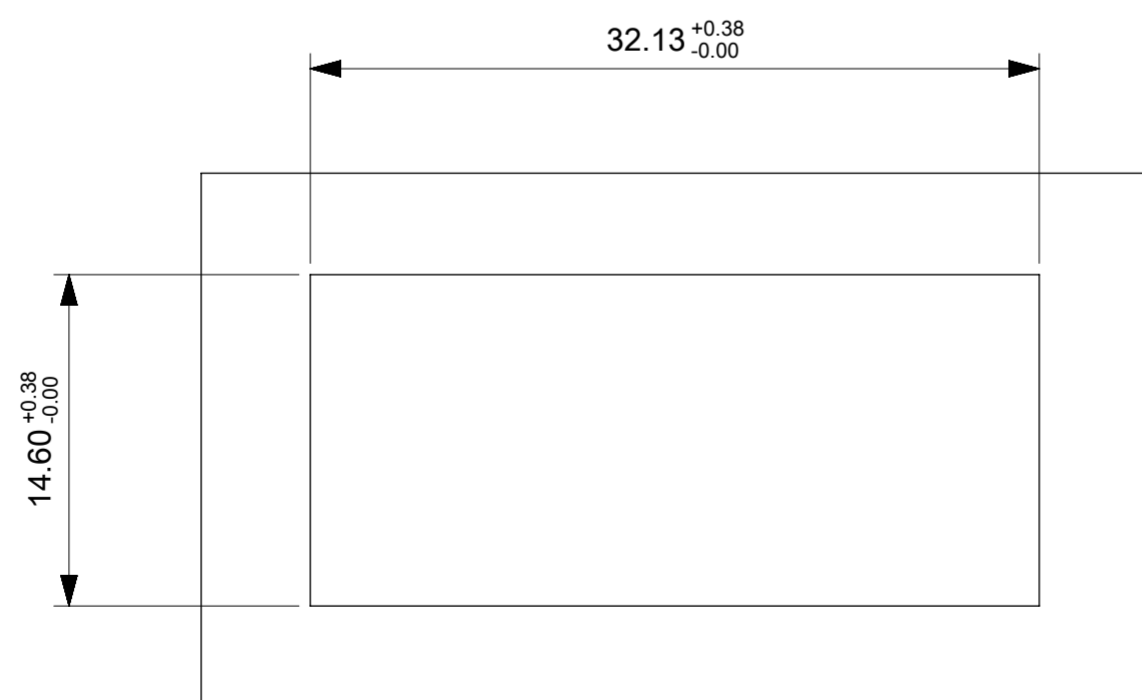
THIS DRAWING CONTAINS INFORMATION THAT IS PROPRIETARY TO MOLEX ELECTRONIC TECHNOLOGIES, LLC AND SHOULD NOT BE USED WITHOUT WRITTEN PERMISSION

ORIGINAL RELEASE EC NO: 123046 DRWN: DSHEA CHKD: SMCGREVVY REV: APPR: DBYRNES	2017/10/17	GENERAL TOLERANCES (UNLESS SPECIFIED)	DIMENSION UNITS	SCALE				
	2017/10/23	ANGULAR TOL ± 2.0 °	mm	3:1				
	2017/11/07	4 PLACES ±	DRWN BY	DATE		MXMAG DUAL PORT 8C GIG COMMERCIAL W/ LEDS		
		3 PLACES ±	DSHEA	2017/05/31				
		2 PLACES ± 0.1	CHK'D BY	DATE	PRODUCT CUSTOMER DRAWING			
		1 PLACE ± 0.2	SMCGREVVY	2017/10/23				
		0 PLACES ±	APPR BY	DATE	SERIES	MATERIAL NUMBER	CUSTOMER	
		DRAFT WHERE APPLICABLE MUST REMAIN WITHIN DIMENSIONS	DBYRNES	2017/11/07	93826	SEE CHART	GENERAL MARKET	
A			DRAWING SIZE	THIRD ANGLE PROJECTION	DOCUMENT NUMBER	DOC TYPE	DOC PART	SHEET NUMBER
			A2		938260003	PSD	000	1 OF 3

RECOMMENDED PCB LAYOUT  
GIG VERSION W/ LED  
COMPONENT SIDE  
ALL DIMENSIONS REF DIMENSIONS



DETAIL A  
SCALE 10:1



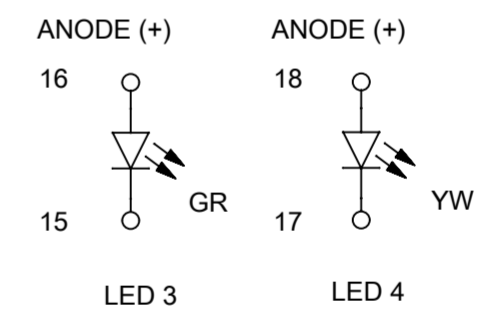
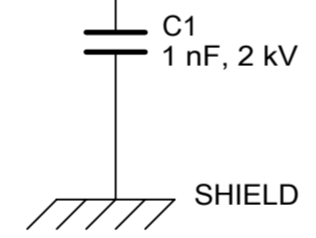
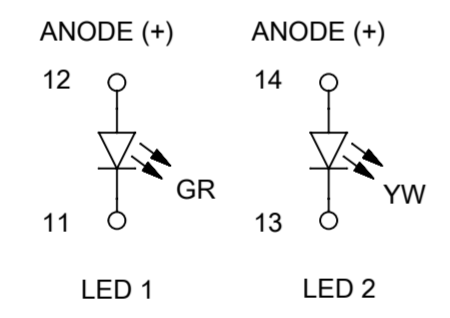
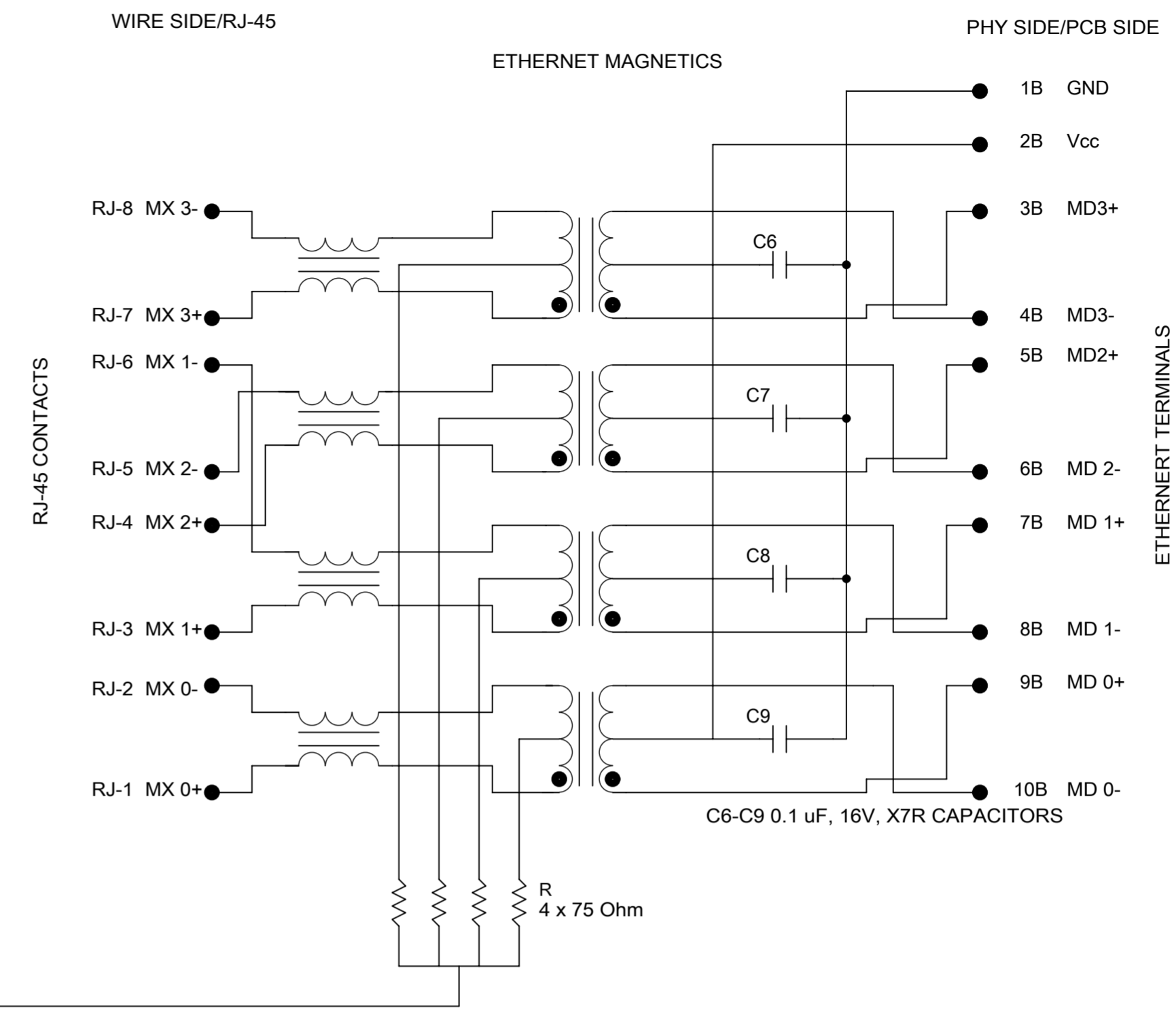
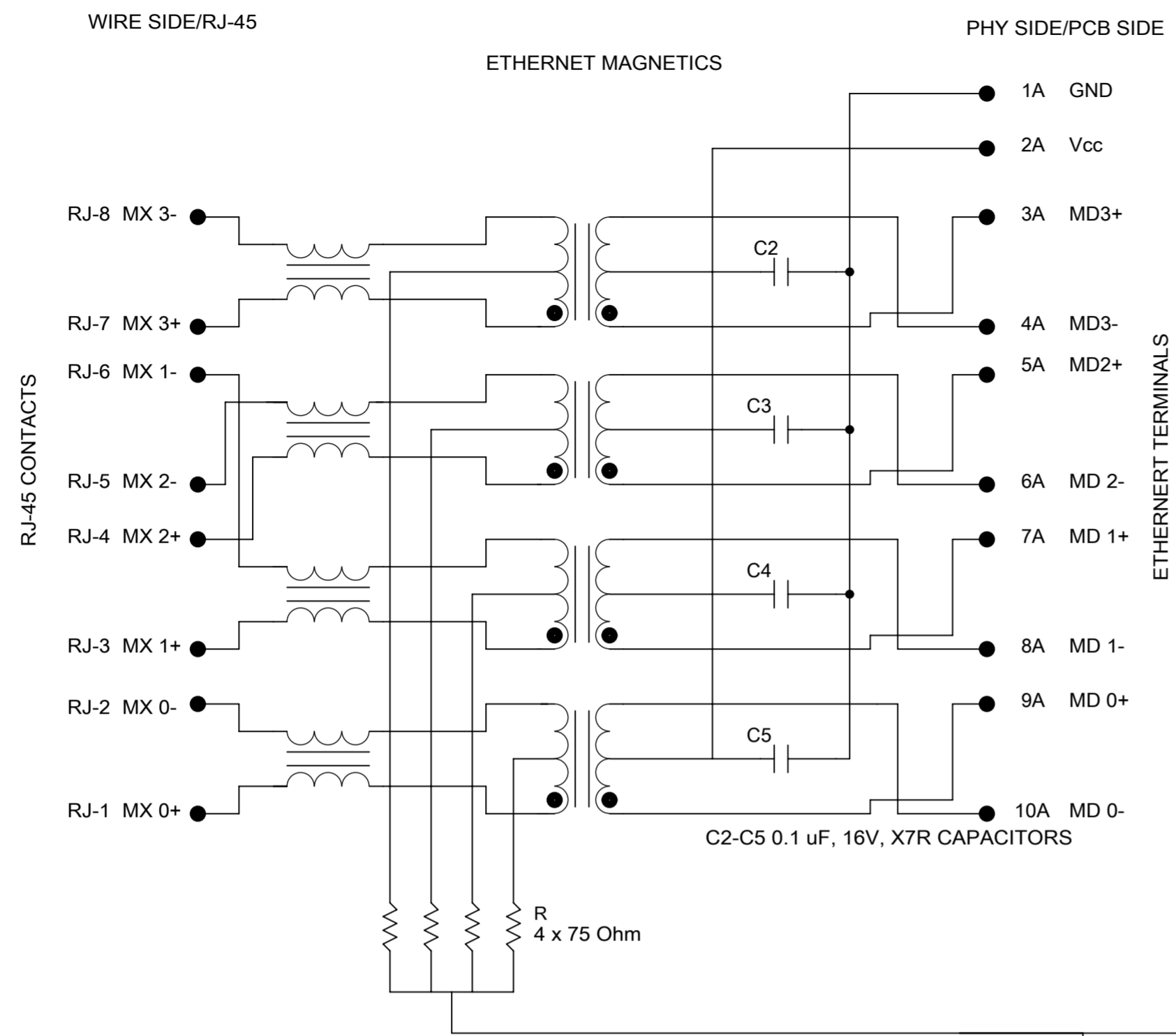
SUGGESTED PANEL CUTOUT

THIS DRAWING CONTAINS INFORMATION THAT IS PROPRIETARY TO MOLEX ELECTRONIC TECHNOLOGIES, LLC AND SHOULD NOT BE USED WITHOUT WRITTEN PERMISSION

ORIGINAL RELEASE EC NO: 123046 DRWN: DSHEA CHKD: SMCGREEVY REV: A	2017/10/17	DRWN BY	DATE	GENERAL TOLERANCES (UNLESS SPECIFIED)	DIMENSION UNITS	SCALE		
	2017/10/23	DSHEA	2017/05/31		mm	3:1		
	2017/11/07	CHK'D BY	DATE	ANGULAR TOL ± 2.0 °	DRAWING SIZE			THIRD ANGLE PROJECTION
		SMCGREEVY	2017/10/23	4 PLACES ±	A2			
		APPR BY	DATE	3 PLACES ±	DRAWING SIZE			
	DBYRNES	2017/11/07	2 PLACES ± 0.1	DRAWING SIZE				
			1 PLACE ± 0.2	DRAWING SIZE				
			0 PLACES ±	DRAWING SIZE				
DRAFT WHERE APPLICABLE MUST REMAIN WITHIN DIMENSIONS				DRAWING SIZE		THIRD ANGLE PROJECTION		
SERIES		MATERIAL NUMBER		CUSTOMER		PRODUCT CUSTOMER DRAWING		
93826		SEE SHEET 1		GENERAL MARKET				
DOCUMENT NUMBER		DOC TYPE		DOC PART		SHEET NUMBER		
938260003		PSD		000		2 OF 3		

PORT A

PORT B

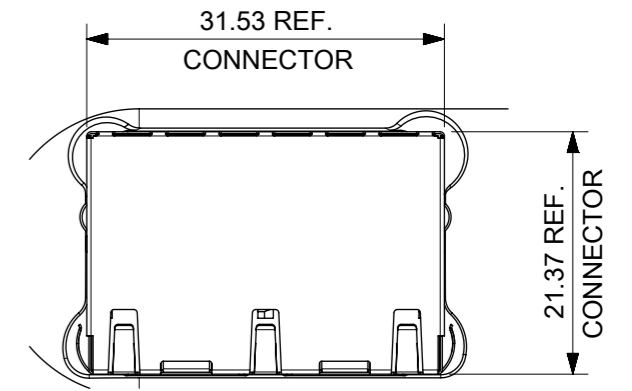
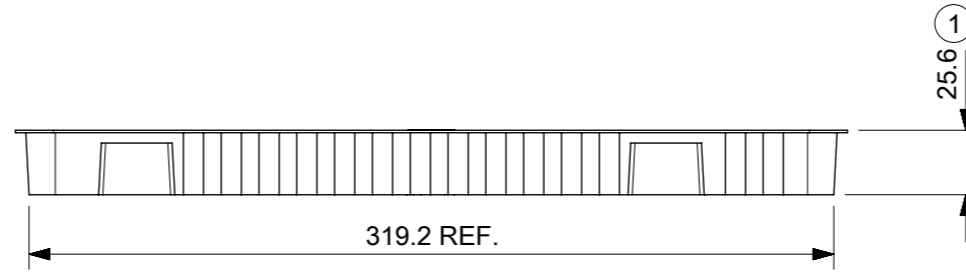
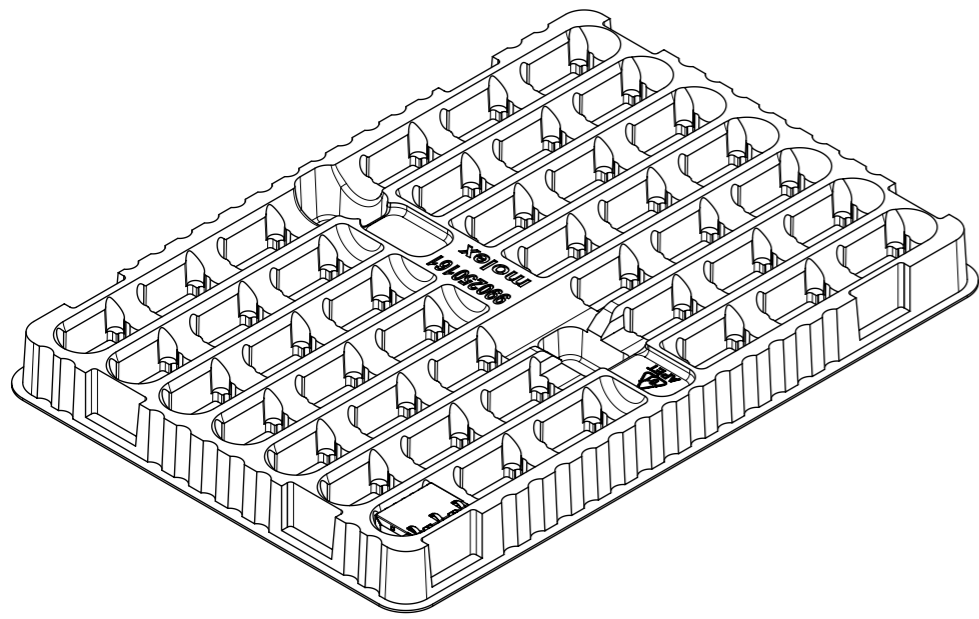


Description	Value	
OCL @100 kHz, 0.1 V, 8 mA DC bias (0°C to +70°C)	350 uH min.	
Turns ratio	1CT:1CT	
Transmission characteristics @ 25°C, all four pairs		
Insertion Loss		
Frequency f, (MHz)	Limits (dB max.)	Typical Values (dB max.)
1.0-9.9	0.4+0.1*log(f)	0.5 @ 10 MHz
10-49.9	0.5+0.3*log(f/10)	0.7 @ 50 MHz
50-79.9	1+1.4*log(f/80)	1.0 @ 80 MHz
80-100	1.3+3*log(f/100)	1.3 @ 100 MHz
Return Loss		
Frequency f, (MHz)	Limits (dB min.)	Typical Values (dB min.)
1.0-39.9	18	18 @ 40 MHz
40-100	12-20*log(f/80)	10 @ 100 MHz
CMR		
Frequency f, (MHz)	Limits (dB min.)	Typical Values (dB min.)
1.0-100	30	30 @ 100 MHz
NEXT		
Frequency f, (MHz)	Limits (dB min.)	Typical Values (dB min.)
1.0-39.9	35	35 @ 40 MHz
40-100	33-20*log(f/50)	27 @ 100 MHz
Isolation PHY to wire side	2.25 kV DC/60sec	

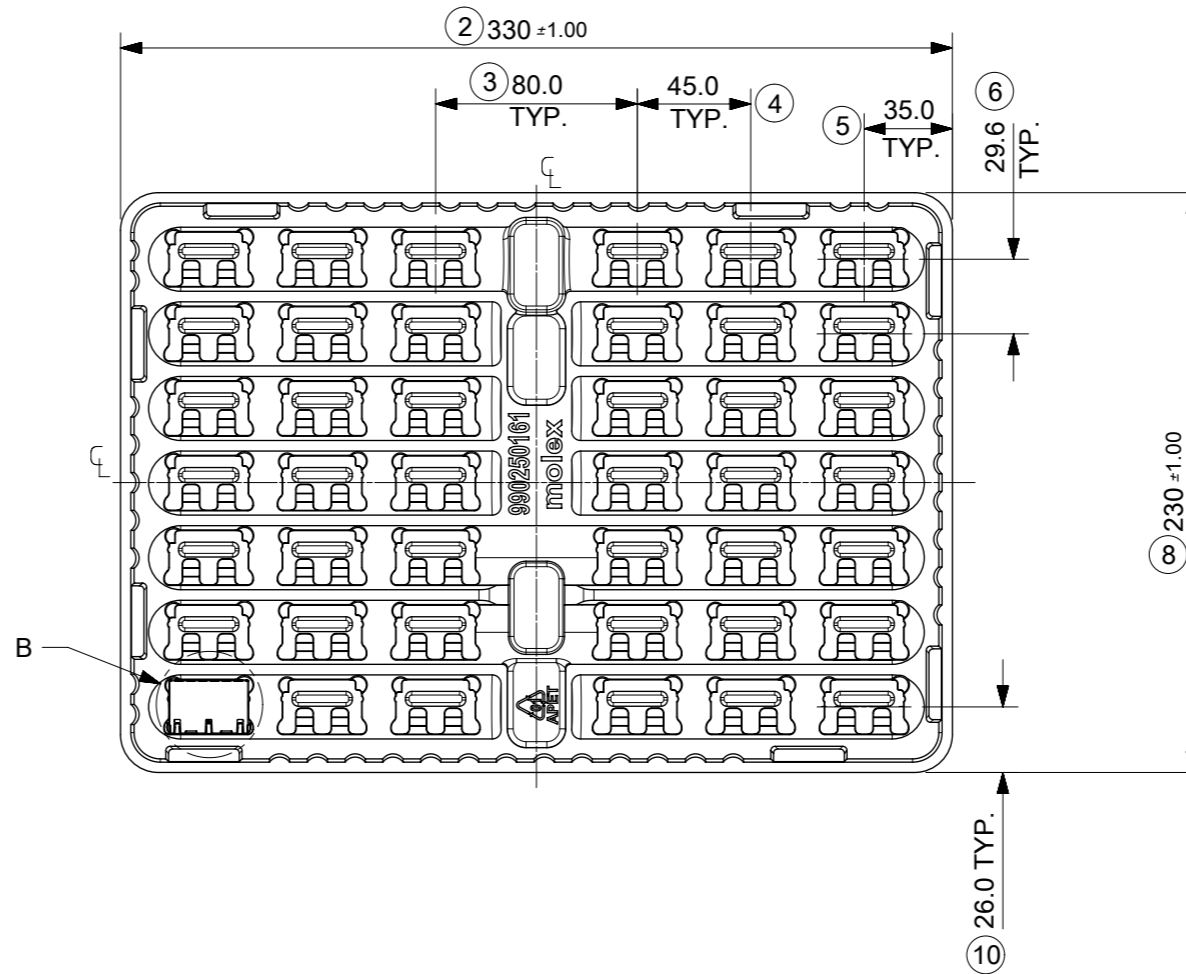
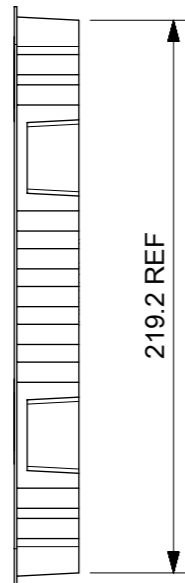
THIS DRAWING CONTAINS INFORMATION THAT IS PROPRIETARY TO MOLEX ELECTRONIC TECHNOLOGIES, LLC AND SHOULD NOT BE USED WITHOUT WRITTEN PERMISSION

ORIGINAL RELEASE EC NO: 123046 DRWN: DSHEA CHKD: SMCGREEVY REV: APPR: DBYRNES	2017/10/17	2017/10/23	2017/11/07	GENERAL TOLERANCES (UNLESS SPECIFIED)	DIMENSION UNITS	SCALE		
				4 PLACES ±	mm	1:1		
				3 PLACES ±	ANGULAR TOL ± 2.0 °			
				2 PLACES ± 0.1	DRWN BY	DATE		
			1 PLACE ± 0.2	DSHEA	2017/05/31			
			0 PLACES ±	CHK'D BY	DATE			
				SMCGREEVY	2017/10/23			
				APPR BY	DATE			
				DBYRNES	2017/11/07			
				DRAWING SIZE	THIRD ANGLE PROJECTION			
				A2				
				DRAFT WHERE APPLICABLE MUST REMAIN WITHIN DIMENSIONS				

PRODUCT CUSTOMER DRAWING		
SERIES	MATERIAL NUMBER	CUSTOMER
93826	SEE SHEET 1	GENERAL MARKET
DOCUMENT NUMBER	DOC TYPE	DOC PART SHEET NUMBER
938260003	PSD	000 3 OF 3



DETAIL B  
SCALE 3:2



NOTES:

1. MATERIAL: PETA ANTISTATIC
2. THICKNESS: 0.9 mm REF
3. COLOUR: CLEAR
4. BOW 2 mm MAXIMUM PER 330 mm
5. TWIST 2 mm MAXIMUM PER 330 mm
6. TRAY PART NO. AND RECYCLE LOGO TO BE CLEARLY MARKED ON TRAY  
RECYCLE LOGO SHOULD BE APPROPRIATE TO MATERIAL USED
7. WHERE RELEVANT, DIMENSIONS SHOULD BE SYMMETRICAL ABOUT THE CENTRELINE
8. GENERAL PROFILE TOLERANCE  $\frac{\text{R}}{0.40}$  ON NON DIMENSIONED FEATURES
9. PACKAGING SPECIFICATION: 938240001 PSK

DIMENSION NUMBERS DELETED: 7, 9, 11, 12  
LAST INSPECTION NUMBER USED: 10

THIS DRAWING CONTAINS INFORMATION THAT IS PROPRIETARY TO MOLEX ELECTRONIC TECHNOLOGIES, LLC AND SHOULD NOT BE USED WITHOUT WRITTEN PERMISSION

ORIGINAL RELEASE EC NO: 123046 DRWN: DSHEA CHK'D: SMCGREEVY APPR: DBYRNES	2017/10/17	2017/10/23	GENERAL TOLERANCES (UNLESS SPECIFIED) ANGULAR TOL ± 1.0 ° 4 PLACES ± 3 PLACES ± 2 PLACES ± 0.2 1 PLACE ± 0.5 0 PLACES ± DRAFT WHERE APPLICABLE MUST REMAIN WITHIN DIMENSIONS	DIMENSION UNITS	SCALE	<b>molex®</b>		
				mm	1:3			
				DRWN BY	DATE	MXMAG DUAL PORT TRAY		
				SMCGREEVY	2017/06/15			
		CHK'D BY	DATE	PRODUCT CUSTOMER DRAWING				
		SMCGREEVY	2017/10/23					
		APPR BY	DATE	SERIES	MATERIAL NUMBER	CUSTOMER		
		DBYRNES	2017/11/07	99025	990250150	GENERAL MARKET		
		DRAWING SIZE	THIRD ANGLE PROJECTION	DOCUMENT NUMBER		DOC TYPE	DOC PART	SHEET NUMBER
		A3		990250161		PSD	000	1 OF 1

RELEASE STATUS	P1	RELEASE DATE	07.11.2017	10:13:22
----------------	----	--------------	------------	----------