



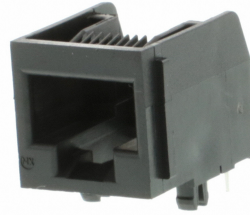
产品编号 : [950097881](#)

Product Description : Modular Jack, Right-Angle, Through Hole, 8/8, Panel Stops

系列号 : 95009

状态 : Active

Product Category : Modular Jacks and Plugs



文件和资源

图纸

[图纸 950097881_sd.pdf](#)

[包装设计图 PK-95029-001.pdf](#)

3D 模型和设计文件

[3D模型 950097881_stp.zip](#)

规格

[产品规格 PS-95009-001-001.pdf](#)

产物环境合规

合规

GADSL/IMDS	Not Relevant
China RoHS	
EU ELV	Not Relevant
Low-Halogen Status	Not Low-Halogen per IEC 61249-2-21
REACH SVHC	Not Contained per D(2023)3788-DC (14 Jun 2023)
EU RoHS	Compliant per EU 2015/863

多部分产品合规性声明

- Eu RoHS
- REACH SVHC
- Low-Halogen

多部分行业合规性文件

- IPC 1752A Class C
- IPC 1752A Class D

- Molex Product Compliance Declaration

- IEC-62474

- chemSHERPA (xml)

欧盟 RoHS 合格证书

产品详情

常规

状态	活动
类别	Modular Jacks and Plugs
系列	95009
说明	Modular Jack, Right-Angle, Through Hole, 8/8, Panel Stops
个评论	Flush Mount
元件类型	PCB Jack
磁性的	否
性能分类	3
以太网电源 (PoE)	不适用
产品系列	Magnetic and Modular Jacks/Plugs
产品名称	Modular Jack 8/8, RJ45
UPC	884982793828

机构

UL	E107635
----	---------

电气

每触点最大电流	1.5A
屏蔽	否
电压 - 最大	125V DC

物理

颜色-树脂	黑色
耐用性(插拔次数) - 最多次数	2500
阻燃性	94V-0
向下 / 向上锁闩	否
插孔高度	16.00mm

光管/发光二极管	无
材料 - 金属	Copper Alloy
材料 - 接合部位电镀	Gold over Palladium Nickel
材料 - 终端电镀	Tin
材料 - 树脂	High Temperature Thermoplastic
净重	3.100/g
方向	Right Angle (Side Entry)
包装形式	Tray
面板安装式	With Flange
PCB 定位器	是
PCB 保持力	是
推荐的 PCB 厚度	1.57mm
间距 - 插配接口	1.02mm
间距 - 终端界面	1.27mm
最薄镀层 - 接合部位	1.270µm
最薄镀层 - 端接	1.905µm
端口配置	1x1
位置/插入的接头	8/8
运行温度范围	-40° to +80° C
终端界面类型	Through Hole
防水/防尘	否
导线/电缆型号	不适用

可配插/可连接使用的产品

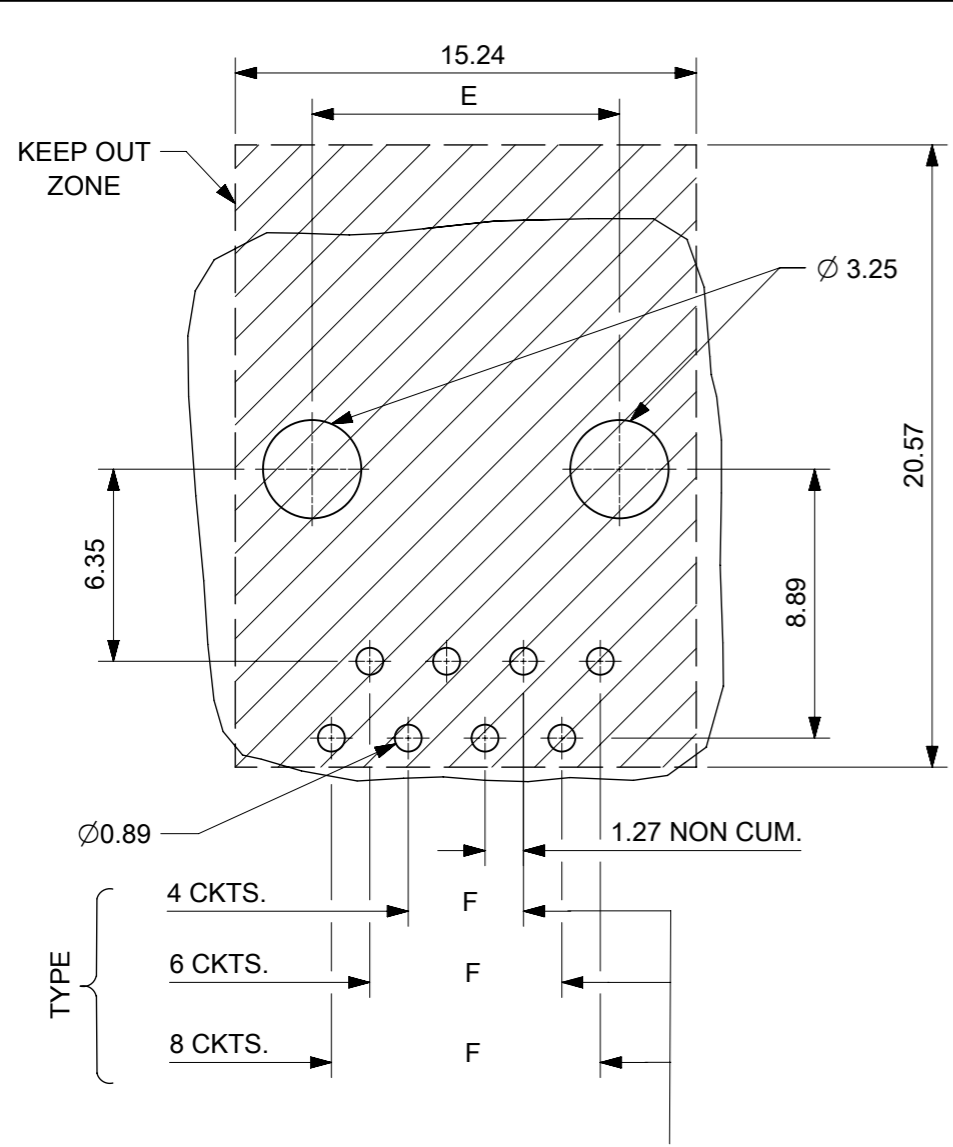
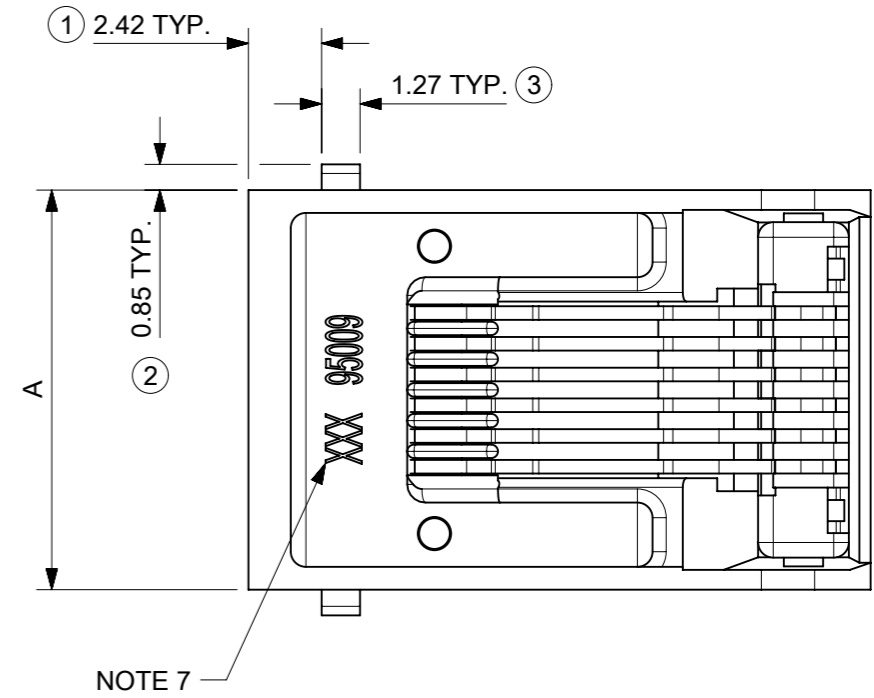
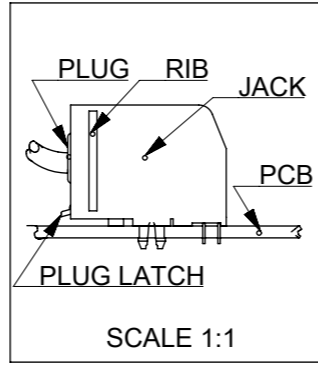
可配插部件

描述	产品编号
配插使用	FCC 68 Plugs

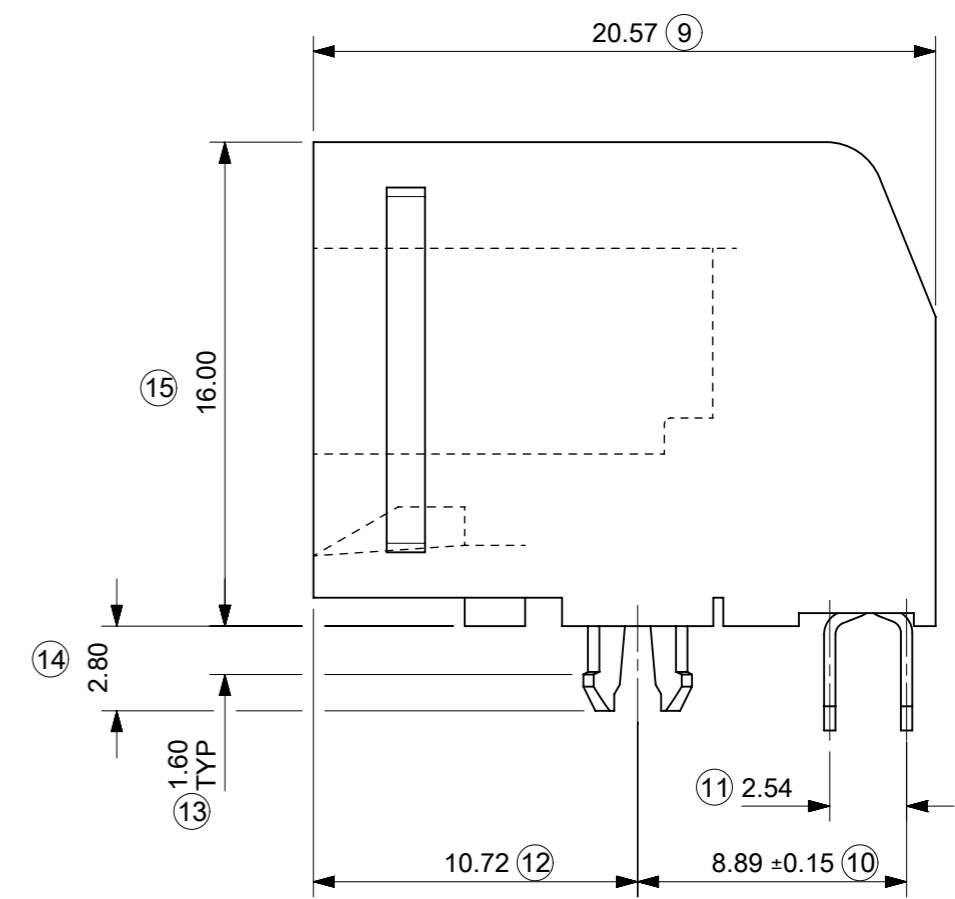
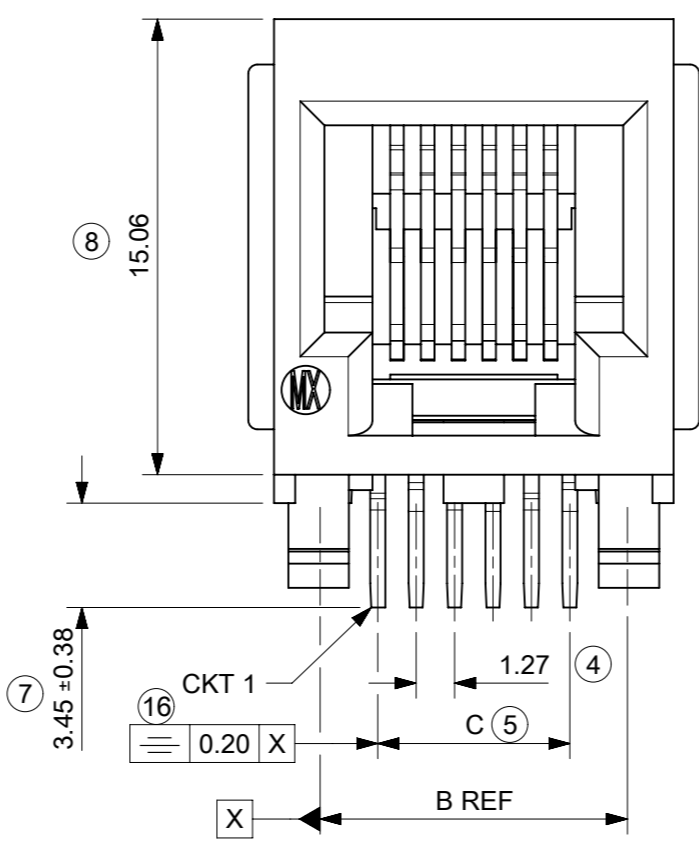
NOTES:

- MATERIAL: POLYESTER FIBER GLASS FILLED UL 94-V0
COLOR BLACK
- TERMINAL: COPPER ALLOY
- PLATINGS: BASE FINISH: NICKEL
CONTACT SURFACE FINISH:
GOLD
OR
GOLD FLASH OVER PALLADIUM NICKEL
EXCEEDS PRODUCT REQUIREMENTS BASED ON PS-95009-001
- PC BOARD THICKNESS: 1.57
- JACK FOR MATING WITH IEC-60603-7 AND TIA-1096-A
MOLEX 90075 SERIES PLUGS
- PRODUCT SPECIFICATION PS-95009-001
- APPLICATION SPECIFICATION AS-95001
- PACKAGING SPECIFICATION PK-95029
- MANUFACTURING I.D. CAN BE MXF, MG, MXI OR MXCH

INSPECTION NUMBERS USED: 1 - 50
LAST INSPECTION NUMBER: 16
REMOVED INSPECTION NO: 6

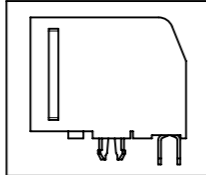


MOUNTING HOLE PATTERNS
(SEE FROM COMPONENT SIDE)
ALL DIMENSIONS REF DIMENSIONS

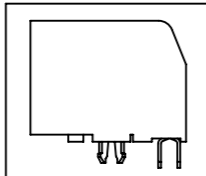


THIS DRAWING CONTAINS INFORMATION THAT IS PROPRIETARY TO MOLEX ELECTRONIC TECHNOLOGIES, LLC AND SHOULD NOT BE USED WITHOUT WRITTEN PERMISSION													
DIMENSION UNITS mm		SCALE 4:1		CURRENT REV DESC: REMASTERED USING 3D MODELS									
GENERAL TOLERANCES (UNLESS SPECIFIED)				<p>molex</p> <p>FLUSH MOUNT RIGHT ANGLE MODULAR JACK ASSEMBLY THROUGH HOLE VERSION</p> <p>PRODUCT CUSTOMER DRAWING</p>									
ANGULAR TOL ± 0.5°													
4 PLACES ±		EC NO: 686855								DRWN: AKUMAR19		2021/08/12	
3 PLACES ±		CHK'D: KLANG								APPR: KLANG		2022/01/17	
2 PLACES ± 0.25		INITIAL REVISION:								DRWN: RFC_PLMIMP		2018/11/02	
1 PLACE ± 0.35		APPR: KNOLLER								DRWN: RFC_PLMIMP		2004/11/15	
0 PLACES ±		THIRD ANGLE PROJECTION		DRAWING		SERIES		MATERIAL NUMBER					
DRAFT WHERE APPLICABLE MUST REMAIN WITHIN DIMENSIONS		A3-SIZE		95009		SEE CHART		CUSTOMER					
						GENERAL MARKET		SHEET NUMBER					
						1 OF 2							

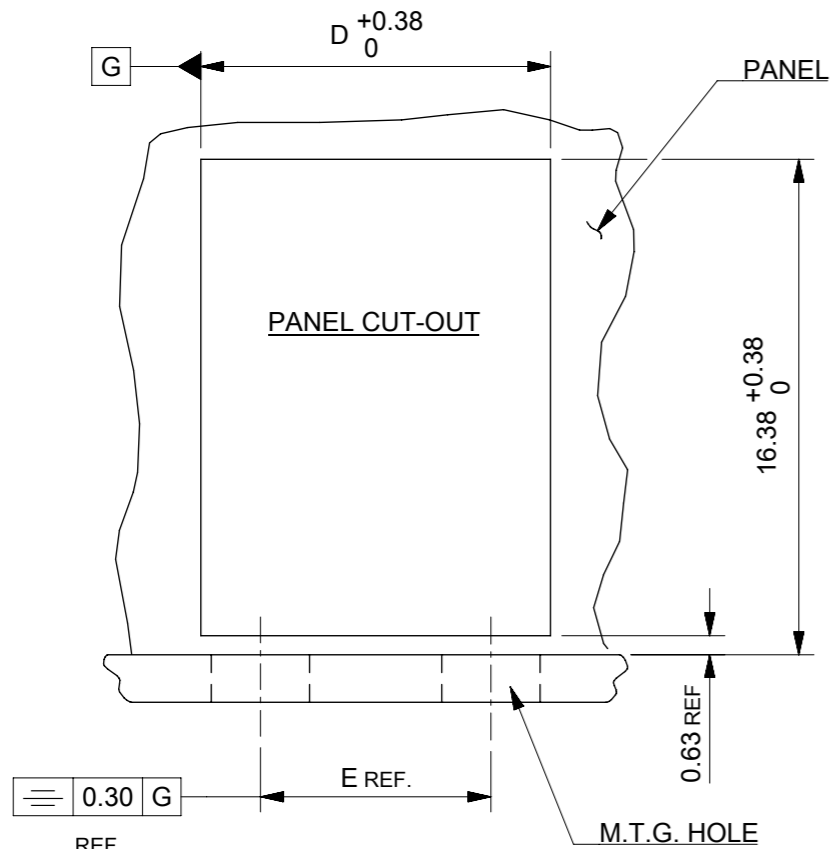
PART NUMBERS FOR JACK WITH RIBS

	TYPE	POS. 4	TOOLED	POS. 6	TOOLED	POS. 6	TOOLED	POS. 8	TOOLED
	PLATING	4 CKTS.	TOOLED	4 CKTS.	TOOLED	6 CKTS.	TOOLED	8 CKTS.	TOOLED
	FINISH 7	95009-7441	X	95009-7641	X	95009-7661	X	95009-7881	X

PART NUMBERS FOR JACK WITHOUT RIBS

	TYPE	POS. 4	TOOLED	POS. 6	TOOLED	POS. 6	TOOLED	POS. 8	TOOLED
	PLATING	4 CKTS.	TOOLED	4 CKTS.	TOOLED	6 CKTS.	TOOLED	8 CKTS.	TOOLED
	FINISH 7	N/A	X	95009-2647	X	95009-7667	X	95009-7887	X

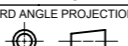
SUGGESTED BOARD LAYOUT
ALL DIMENSIONS ARE REFERENCE DIMENSIONS



TYPE	POS. 4	POS. 6	POS. 6	POS. 8
PLATING	4 CKTS.	4 CKTS.	6 CKTS.	8 CKTS.
A	11.18	13.21	13.21	15.24
B	7.62	10.16	10.16	11.43
C	3.81	3.81	6.35	8.89
D	11.56	13.59	13.59	15.62
E	7.62	10.16	10.16	11.43
F	3.81	3.81	6.35	8.89

NOTES:

INSPECTION NUMBERS USED: 51 - 100
LAST INSPECTION NUMBER: 53

THIS DRAWING CONTAINS INFORMATION THAT IS PROPRIETARY TO MOLEX ELECTRONIC TECHNOLOGIES, LLC AND SHOULD NOT BE USED WITHOUT WRITTEN PERMISSION		CURRENT REV DESC: REMASTERED USING 3D MODELS		molex	
DIMENSION UNITS	SCALE	EC NO: 686855			
mm	4:1	DRWN: AKUMAR19 2021/08/12		PRODUCT CUSTOMER DRAWING	
GENERAL TOLERANCES (UNLESS SPECIFIED)		CHK'D: KLANG 2022/01/17		DOCUMENT NUMBER	
ANGULAR TOL ± 0.5°		APPR: KLANG 2022/01/17		SDA-95009-F	
4 PLACES ±	INITIAL REVISION:		DOC TYPE		DOC PART
3 PLACES ±	DRWN: RFC_PLMIMP 2018/11/02		PSD		001
2 PLACES ± 0.25	APPR: KNOLLER 2004/11/15		REVISION		L2
1 PLACE ± 0.35	DRAFT WHERE APPLICABLE MUST REMAIN WITHIN DIMENSIONS		MATERIAL NUMBER		CUSTOMER
0 PLACES ±	THIRD ANGLE PROJECTION	DRAWING	SERIES	SEE CHART	GENERAL MARKET
		A3-SIZE	95009	SHEET NUMBER	
				2 OF 2	