

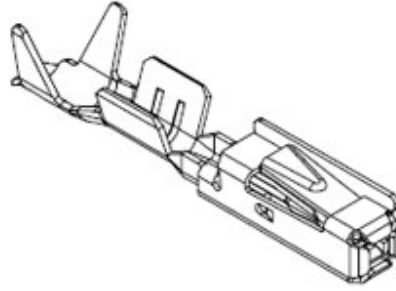
产品编号 : [986581213](#)

Product Description : MOX Crimp Terminal, Female, 0.635mm, 20-24 AWG (0.22-0.50mm²), Reel, Tin (Sn)

系列号 : 98658

状态 : Active

Product Category : Crimp Terminals



文件和资源

图纸

[图纸 986581213_sd.pdf](#)

3D 模型和设计文件

[3D模型 986581213_stp.zip](#)

规格

[应用规格 AS-98658-001-001.pdf](#)

[应用规格 AS-98658-001-CH-001.pdf](#)

[应用规格 989820002-AS-000.pdf](#)

[应用规格 989820002-AS-CH-000.pdf](#)


[包装规格 PK-98658-006-001.pdf](#)

模具规格

[压接规格 CS-98658-001-001.pdf](#)

产物环境合规

合规

GADSL/IMDS	Duty-To-Declare
China RoHS	
EU ELV	Compliant per 2000/53/EC
Low-Halogen Status	Low-Halogen per IEC 61249-2-21
REACH SVHC	Not Contained per D(2023)3788-DC (14 Jun 2023)
EU RoHS	Compliant per EU 2015/863

多部分产品合规性声明

- Eu RoHS

- REACH SVHC

- Low-Halogen

多部分行业合规性文件

- IPC 1752A Class C

- IPC 1752A Class D

- Molex Product Compliance Declaration

- IEC-62474

- chemSHERPA (xml)

欧盟 RoHS 合格证书

产品详情

常规

状态	活动
类别	Crimp Terminals
系列	98658
说明	MOX Crimp Terminal, Female, 0.635mm, 20-24 AWG (0.22-0.50mm ²), Reel, Tin (Sn)
应用	Power, Wire-to-Board, Wire-to-Wire
个评论	Terminal has Stainless Steel Sleeve
产品系列	MOX Products
产品名称	MOX
UPC	800756560977

电气

每触点最大电流	7.5A
---------	------

物理

耐用性(插拔次数) - 最多次数	20
性别	女
材料 - 金属	Copper-Nickel-Silicon, Stainless Steel
材料 - 接合部位电镀	Tin
材料 - 终端电镀	Tin
净重	0.110/g
包装形式	Reel

最薄镀层 - 接合部位	1.016µm
最薄镀层 - 端接	1.016µm
终端界面类型	Crimp or Compression
导线绝缘直径	1.20-1.50mm
线径规格 (AWG)	20, 22
线缆尺寸mm ²	0.32-0.51

进程

无铅	不适用
----	-----

可连接使用部件

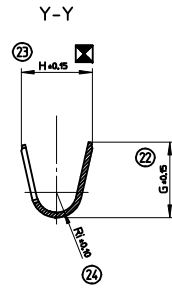
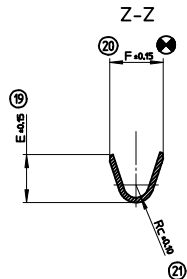
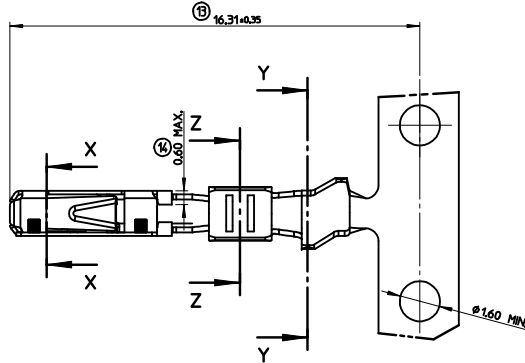
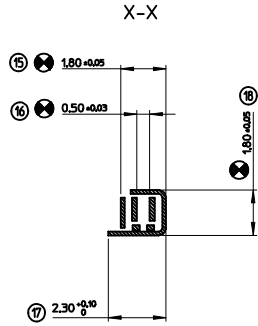
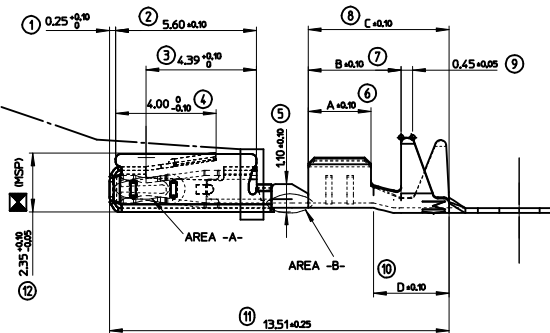
描述	产品编号
可装的端子等部件	All 0.635mm MOX Housings

施工工具

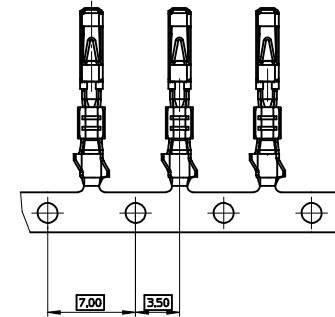
全局

描述	产品编号
Hand Crimp Tool	<u>0638119300</u>
MOX Extraction Tool	<u>0638132600</u>
Extractor Tool for 2.80mm Crimp Terminals	<u>0638136900</u>
Extractor Tool for 2.80mm Crimp Terminals	<u>0638137000</u>
Extractor Tool for MOX 0.635mm Receptacle Crimp Terminals	<u>0638138400</u>
Extractor Tool for MOX 0.635mm Receptacle Crimp Terminals	<u>0638138500</u>
Extractor Tool for MOX 0.635mm Receptacle Crimp Terminals	<u>0638244400</u>
FineAdjust Applicator	<u>0638666100</u>

FORME ADMISE
ALLOWED VERSION



	MOLEX REFERENCE	AREA -A- (GAP AREA)	AREA -B-	CRIMPING AREA	Wire size range	Longeurs Length	Serlisage Conductor Wire Crimp	Serlisage Isolant Insulation Crimp	Poids Weight
TIN PLATED VERSION	0986581211	HOT TIN DIP Sn = 1.0 to 3.0 µm			0.22 to 0.60 mm ²	A-2.50 B-3.70 C-5.60 D-3.00	E-1.90 F-2.10 Rc-0.50	G-2.90 H-2.80 Ri-0.80	0.1600 g
GOLD PLATED VERSION	0986581221	Au= 0.4 µm MIN. Ni= 1.0 µm MIN.		Sn = 1.0 to 5.0 µm MIN. Ni = 1.0 µm MIN.					
GOLD PLATED VERSION	0986581231	Au= 0.4 µm MIN. Ni= 1.0 µm MIN.	Au= 0.4 µm MIN. Ni= 1.0 µm MIN.	Sn = 1.0 to 5.0 µm MIN. Ni = 1.0 µm MIN.					
TIN PLATED VERSION	0986581212	HOT TIN DIP Sn = 1.0 to 3.0 µm							
GOLD PLATED VERSION	0986581222	Au= 0.4 µm MIN. Ni= 1.0 µm MIN.		Sn = 1.0 to 5.0 µm MIN. Ni = 1.0 µm MIN.	0.75 mm ²	A-2.80 B-3.70 C-5.60 D-2.70	E-2.25 F-2.25 Rc-0.50	G-2.90 H-2.80 Ri-0.80	0.1600 g
GOLD PLATED VERSION	0986581232	Au= 0.4 µm MIN. Ni= 1.0 µm MIN.	Au= 0.4 µm MIN. Ni= 1.0 µm MIN.	Sn = 1.0 to 5.0 µm MIN. Ni = 1.0 µm MIN.					
TIN PLATED VERSION	0986581213	HOT TIN DIP Sn = 1.0 to 3.0 µm							
GOLD PLATED VERSION	0986581223	Au= 0.4 µm MIN. Ni= 1.0 µm MIN.		Sn = 1.0 to 5.0 µm MIN. Ni = 1.0 µm MIN.					
GOLD PLATED VERSION	0986581233	Au= 0.4 µm MIN. Ni= 1.0 µm MIN.	Au= 0.4 µm MIN. Ni= 1.0 µm MIN.	Sn = 1.0 to 5.0 µm MIN. Ni = 1.0 µm MIN.	0.22 to 0.50 mm ²	A-2.50 B-3.70 C-5.60 D-3.00	E-1.80 F-1.80 Rc-0.40	G-2.30 H-2.30 Ri-0.70	0.1600 g



NOTE:

- MATERIAL: CONTACT BODY: HIGH CONDUCTIVE COPPER ALLOY.
SLEEVE: STAINLESS STEEL.
- PACKAGING SPECIFICATION: PK-98658-006.
- CRIMPING PARAMETERS AND CRIMPING TOOL DEFINITION: SEE CS-98658-001.

INDICATION DIMENSIONS S.P.C.
DENOTES S.P.C DIMENSIONS
 INDICATION DIMENSIONS DETERMINANT LES
CAPABILITIES MACHINE
DENOTES DIMENSIONS DETERMINING THE
MACHINE'S ABILITIES
 INDICATION DIMENSIONS FONCTIONNELLES
DENOTES FUNCTIONAL DIMENSIONS
 QUANTITE PAR FEUILLE INDIVIDUELLE
QUANTITY PER INDIVIDUAL SHEET
 - 2 - 4 - 0

REV LOCATION SLEEVE MOVED DEC NO: G2014-0197 DRWINGP/PLESSIS 2014/03/07 CHKD/MANDRE 2014/03/07 APPR/DUCLOS 2014/04/16	QUALITY SYMBOLS	GENERAL TOLERANCES (UNLESS SPECIFIED)	DIMENSION STYLE	SCALE	DESIGN UNITS	FIRST ANGLE PROJECTION
		m/m INCH	MM ONLY	10:1	METRIC	
		4 PLACES ± --- ± ---	DRAWN BY DATE	TITLE		
		3 PLACES ± --- ± ---	JTAMSSON 1998/06/01	MOX 0.63 TERMINAL		
	2 PLACES ± 0. ± ---	CHECKED BY DATE	RECEPTACLE TERMINAL			
	1 PLACE ± 0. ± ---	MANDRE 1999/10/14	GENERIC CONTROL DRAWING			
	0 PLACE ± 0. ±	APPROVED BY DATE	molex			
		CBOUCHAN 1999/10/14	DOCUMENT NO. SD-98658-004			
	ANGULAR ±1/2°	MATERIAL NO.	SHEET NO.			
	DRAFT WHERE APPLICABLE MUST REMAIN WITHIN DIMENSIONS	SEE CHART	1 OF 1			
		THIS DRAWING CONTAINS INFORMATION THAT IS PROPRIETARY TO MOLEX INCORPORATED AND SHOULD NOT BE USED WITHOUT WRITTEN PERMISSION				