



产品编号 : 987881208

系列号 : 98788

Product Category : Connector Housings

Product Description : 1.50mm Pitch NSCC,
Sealed Female Housing, 10 Circuits, Dual
Row, White

状态 : Active

工程编号 : 19208EV10M8

文件和资源

图纸

图纸 987881208_sd.pdf

规格

应用规格 987880002-AS-CH-001.pdf

应用规格 987880003-AS-CH-001.pdf


应用规格 AS-98788-002-001.pdf

应用规格 AS-98788-003-001.pdf

应用规格 AS-98788-003-FR-001.pdf

产物环境合规

合规

GADSL/IMDS	Compliant
China RoHS	
EU ELV	Compliant per 2000/53/EC
Low-Halogen Status	Low-Halogen per IEC 61249-2-21
REACH SVHC	Not Contained per D(2022)4187-DC (10 June 2022)
EU RoHS	Compliant per EU 2015/863

多部分产品合规性声明

- Eu RoHS
- REACH SVHC
- Low-Halogen

- IPC 1752A Class C
- IPC 1752A Class D
- Molex Product Compliance Declaration
- IEC-62474
- chemSHERPA (xml)

产品详情

常规

状态	活动
类别	Connector Housings
系列	98788
说明	1.50mm Pitch NSCC, Sealed Female Housing, 10 Circuits, Dual Row, White
应用	Power, Wire-to-Wire
产品系列	NSCC - New Standard Casing Contact
产品名称	NSCC
UPC	822350055512

物理

电路详图	10x1.5mm male terminal
电路数 (最多)	10
颜色-树脂	灰色
性别	Receptacle
符合灼热丝规范	否
插接极性	无
锁定插接部位	无
材料 - 树脂	Polyester
净重	9.590/g
行数	2
包装形式	Bag
面板安装式	否
间距 - 插配接口	4.25mm
间距 - 终端界面	6.00mm
有极性的插配件	是
端口	1
可堆叠的	否
运行温度范围	-40° to +85° C

进程

无铅	不适用
----	-----

可配插/可连接使用的产品

可配插部件

描述	产品编号
NSSC Single Part, Non-Sealed, 1.50mm, Male Housing, 10 Circuits, Dual Row, Gray	<u>987891208</u>

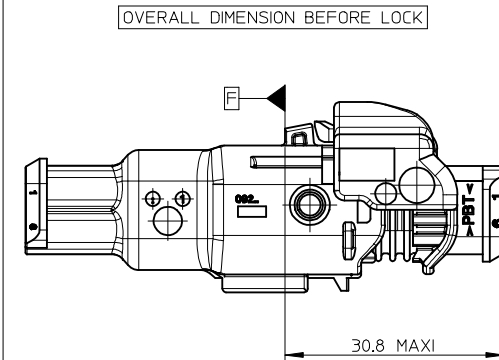
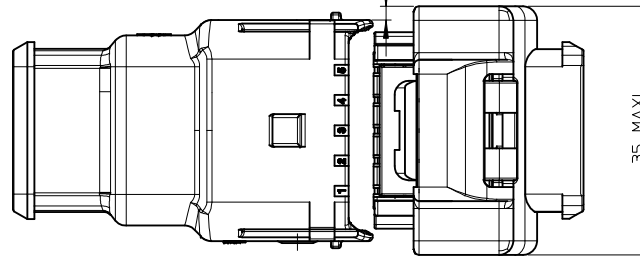
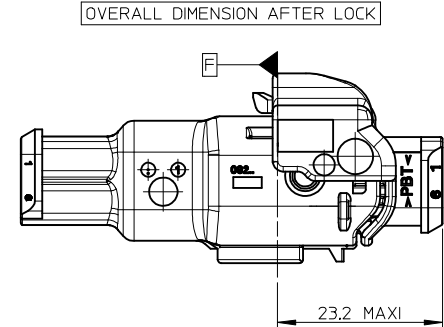
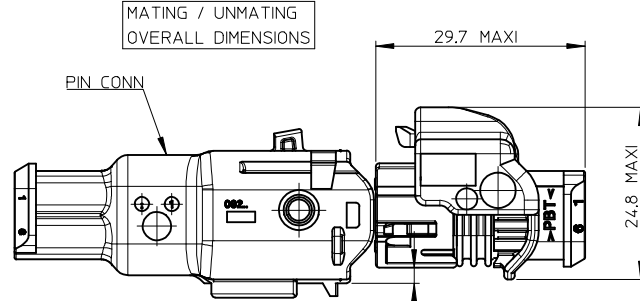
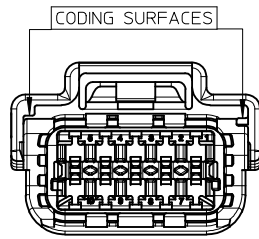
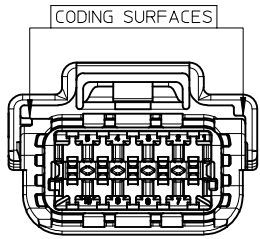
可连接使用部件

描述	产品编号
可装的端子等部件	Sicma 1.5 and 2.8mm Female Terminals for Single Wire Seal from FCI

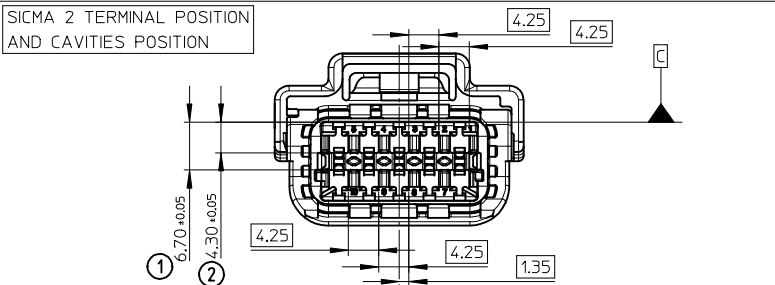
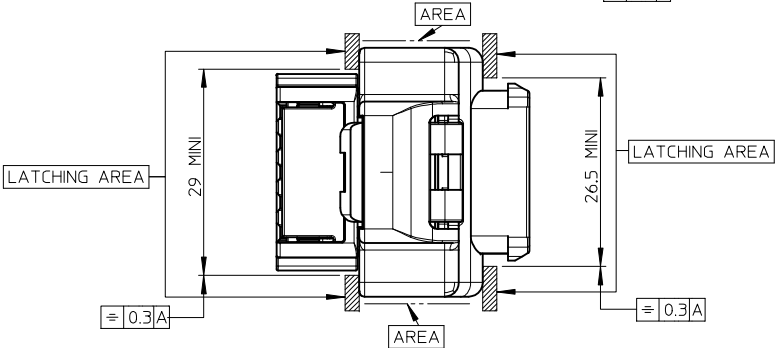
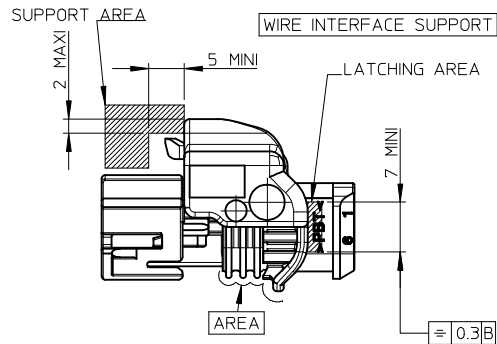
施工工具

全局

描述	产品编号
Insertion Tool for Seal Plug	<u>638121200</u>
Extractor Tool for CTX64 Female Crimp Terminals	<u>638135700</u>
Extractor Tool for NCSS Female Housing	<u>638137400</u>



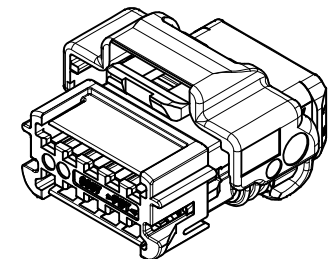
2	GREY	SICMA RCPT CONN SLD W/ 1.5 GRY 10CKT	0987881208
1	BLACK	SICMA RCPT CONN SLD W/ 1.5 BLK 10CKT	0987881201
CODING	COLOR	DESCRIPTION	MATERIAL NUMBER



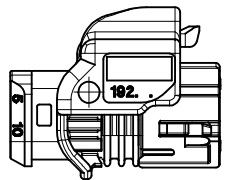
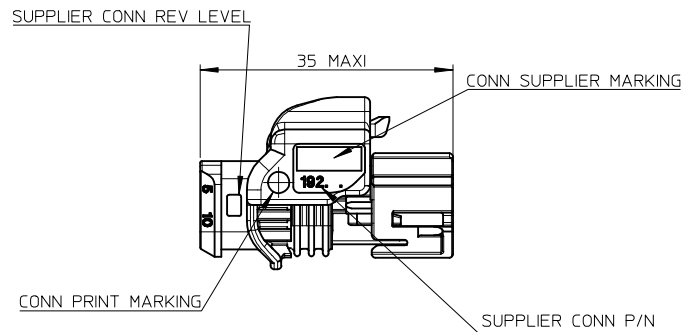
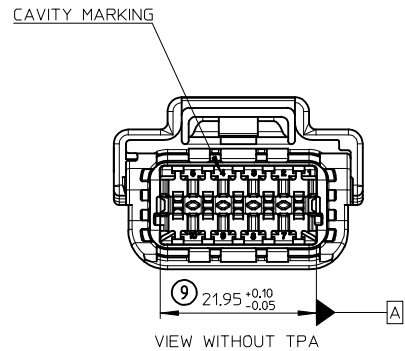
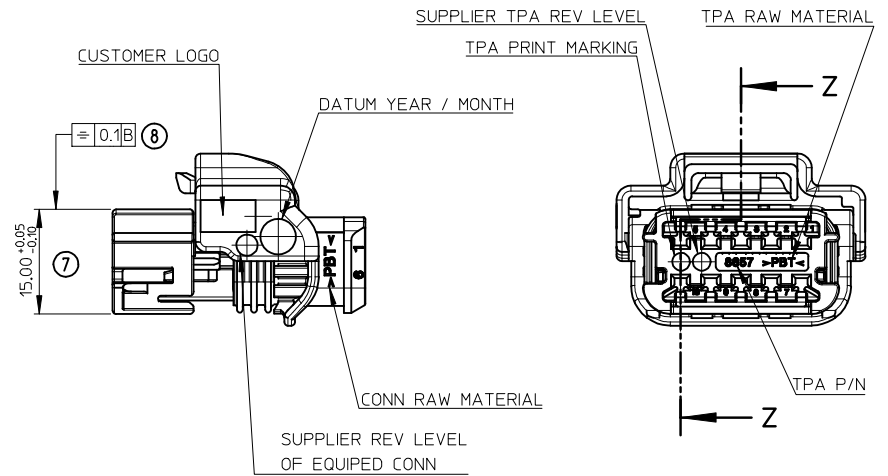
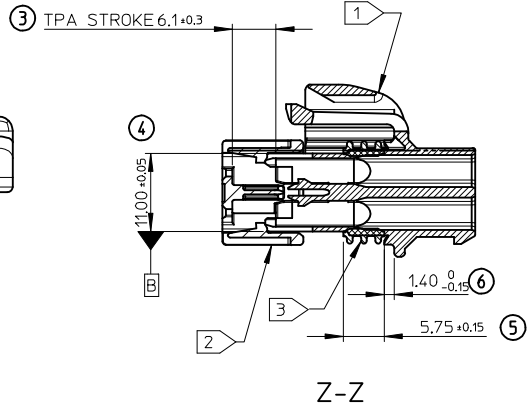
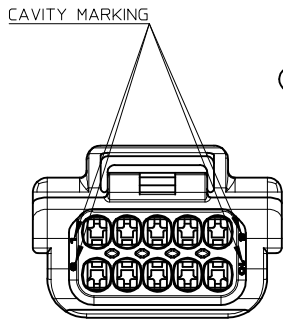
NOTES:

1. MATERIALS: SEE CHART
2. FINISHES: N/A
3. PRODUCT SPECIFICATION: AS-98788-002
4. PACKAGING INFORMATION: PK-98788-002
5. MATES WITH: 0987891201(BLACK), 0987891208(GREY)
6. WIRE EXTERNAL Ø (INSULATION) MUST BE BETWEEN 1.25MM AND 2.4MM.
7. CONNECTOR TIGHTENING STRENGTH ON WIRING INTERFACE: 50 TO 250 WITHOUT PUSH TEST
8. AREAS SHOWN AS: AREA
 - DO NOT LOCK WIRING INTERFACE
 - DO NOT DAMAGE THE PART

ISOMETRIC VIEW



SEE SHEET 2 EC NO: G2016-0151 DRAWN: J. JOUAS CHKD: B. ADAROUX APPR: O. PLESSIS	2016/05/09 2016/05/09 2016/06/06	QUALITY SYMBOLS ▽=0 ▽=0	GENERAL TOLERANCES (UNLESS SPECIFIED)		DIMENSION STYLE MM ONLY		SCALE 2:1	DESIGN UNITS METRIC	FIRST ANGLE PROJECTION
			4 PLACES ± --- ± --- 3 PLACES ± --- ± --- 2 PLACES ± --- ± --- 1 PLACE ± 0.2 ± --- ANGULAR ± 2 °	mm INCH	DRAWN BY VLOUVANCOUR	DATE 2008/01/23	TITLE SICMA RCPT CONN SLD W/ 1.5 10CKT		
DRAFT WHERE APPLICABLE MUST REMAIN WITHIN DIMENSIONS		APPROVED BY LSTICKEIR		DATE 2008/01/25	MATERIAL NO. SD-98788-006		DOCUMENT NO.		SHEET NO. 1 OF 2
SIZE A2					THIS DRAWING CONTAINS INFORMATION THAT IS PROPRIETARY TO MOLEX INCORPORATED AND SHOULD NOT BE USED WITHOUT WRITTEN PERMISSION				



VIEW WITH TPA LOCKED

Item	Amount	Unit	Description	Material-Number	Packing	Material	Weight Calculated
3	1	Piece	SICMA RCPT CONN SLD 10CKT	0987880206	-	SILICONE RED	0.642g
2	1	Piece	SICMA RCPT CONN TPA ORN 10CKT	0987880213	-	POLYESTER ORANGE	1.548g
1	1	Piece	SICMA RCPT CONN 1.5 GRAY 10CKT	0987880208	-	(PBT), GREY	7.317g
			SICMA RCPT CONN 1.5 BLK 10CKT	0987880201	-	UL94 HB, BLACK	

CHANGE COLOR TPA EC NO: G2016-0151 DRWN:V.JOUAS 2016/05/09 CHKD:TBADAROUX 2016/05/09 APPR:OPLESSIS 2016/06/06	QUALITY SYMBOLS ▽=0 ▽=0	GENERAL TOLERANCES (UNLESS SPECIFIED) mm INCH 4 PLACES ± --- ± --- 3 PLACES ± --- ± --- 2 PLACES ± --- ± --- 1 PLACE ± 0.2 ± --- ANGULAR ± 2 °	DIMENSION STYLE MM ONLY DRAWN BY DATE VLOUVANCOUR 2008/01/23 CHECKED BY DATE YIGEL 2008/01/24 APPROVED BY DATE LSTICKEIR 2008/01/25 MATERIAL NO.	SCALE 2:1 DESIGN UNITS METRIC FIRST ANGLE PROJECTION	SICMA RCPT CONN SLD W/ 1.5 10CKT
	DRAFT WHERE APPLICABLE MUST REMAIN WITHIN DIMENSIONS			SEE CHART SIZE A 2 THIS DRAWING CONTAINS INFORMATION THAT IS PROPRIETARY TO MOLEX INCORPORATED AND SHOULD NOT BE USED WITHOUT WRITTEN PERMISSION	MOLEX INCORPORATED DOCUMENT NO. SD-98788-006
	SHEET NO. 2 OF 2				
	Rev. E 2006/04/15				