



产品编号 : [988191021](#)

Product Description : NSCC Receptacle Connector, Single Part, Unsealed, 2.80mm, 5.00mm Pitch, 2 Circuits, Black

系列号 : 98819

状态 : Active

Product Category : Connector Housings

工程编号 : 010501321



---

## 文件和资源

### 图纸

[图纸 988191021\\_sd.pdf](#)

[包装设计图 PK-31301-635-001.pdf](#)

### 3D 模型和设计文件

[3D模型 988191021\\_stp.zip](#)

### 规格

[应用规格 988210001-AS-CH-001.pdf](#)

[应用规格 988210001-PS-CH-001.pdf](#)

[产品规格 PS-98821-001-001.pdf](#)

---

## 产物环境合规

### 合规

GADSL/IMDS	Compliant
China RoHS	Not Relevant
EU ELV	Compliant per 2000/53/EC
Low-Halogen Status	Low-Halogen per IEC 61249-2-21
REACH SVHC	Not Contained per D(2023)3788-DC (14 Jun 2023)
EU RoHS	Compliant per EU 2015/863

### 多部分产品合规性声明

- Eu RoHS

- REACH SVHC

- Low-Halogen

多部分行业合规性文件

- IPC 1752A Class C

- IPC 1752A Class D

- Molex Product Compliance Declaration

- IEC-62474

- chemSHERPA (xml)

欧盟 RoHS 合格证书

---

## 产品详情

### 常规

状态	活动
类别	Connector Housings
系列	98819
说明	NSCC Receptacle Connector, Single Part, Unsealed, 2.80mm, 5.00mm Pitch, 2 Circuits, Black
应用	Power, Wire-to-Wire
产品系列	NSCC - New Standard Casing Contact
产品名称	NSCC
UPC	822348761388

### 物理

电路详图	4 x 1.5mm female terminals
电路数 (最多)	2
颜色-树脂	黑色
性别	Receptacle
符合灼热丝规范	否
插接极性	是
锁定插接部位	是
材料 - 树脂	Polyester
净重	2.140/g
行数	1
包装形式	Carton
面板安装式	否

间距 - 插配接口	5.00mm
有极性的插配件	是
端口	1
可堆叠的	否
运行温度范围	-40° to +85° C

进程

无铅	不适用
----	-----

---

可配插/可连接使用的产品

可配插部件

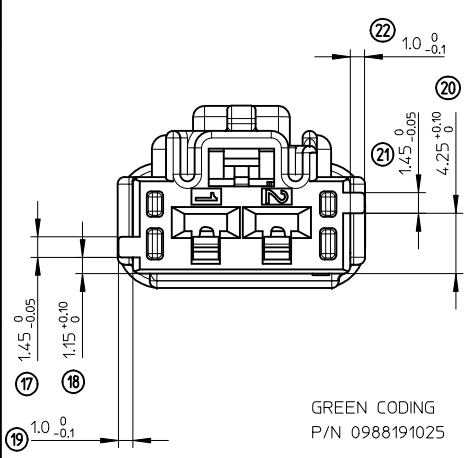
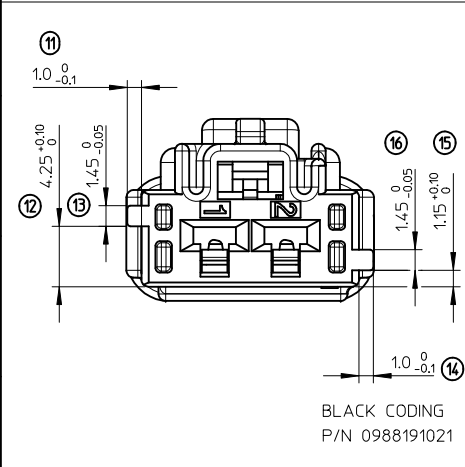
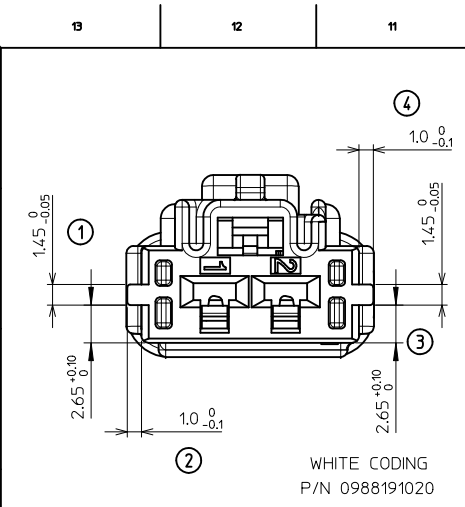
描述	产品编号
NSCC Single Part Unsealed Receptacle Connectors	<u>98819</u>

---

施工工具

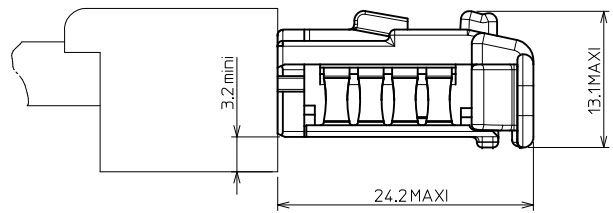
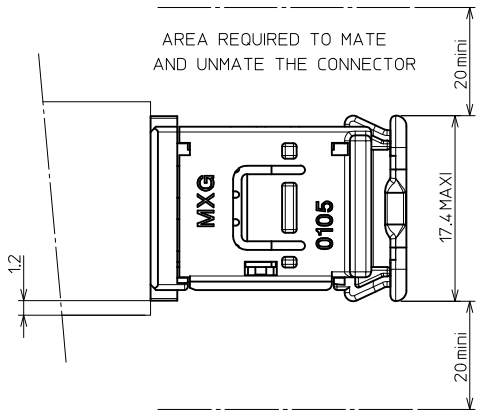
全局

描述	产品编号
Extractor Tool for Unsealed Receptacle Connectors	<u>0638133800</u>



CODING 4:1

HANDLING AREA

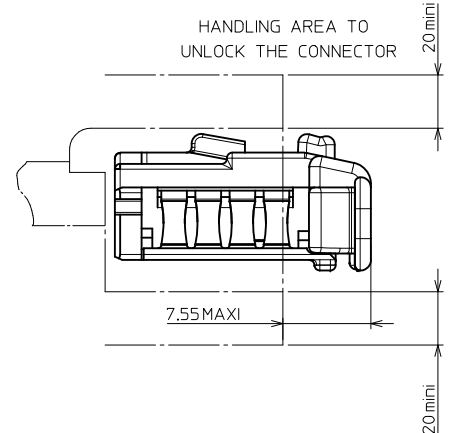


NOTE : 1 - The using conditions of the hinge are showed in the MOLEX specification n°AS-98821-001.

- 2 - Female terminal used : RCPT TERM 2.8 mm UCC2
  - Range 1 : 0988981029 (0.34 mm<sup>2</sup> to 0.68 mm<sup>2</sup>)
  - Range 2 : 0988981039 (0.93 mm<sup>2</sup> to 2.16 mm<sup>2</sup>)
  - Range 3 : 0988981049 (2.26 mm<sup>2</sup> to 4.95 mm<sup>2</sup>)

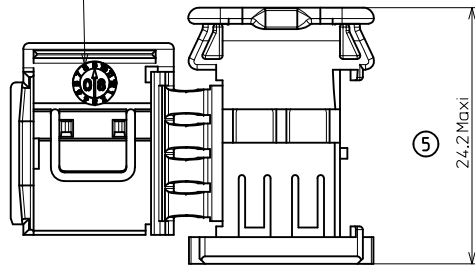
3 - Female connector will mate with male connector P/N 098824102x or header P/N 098770201x.

AREA REQUIRED WHEN THE CONNECTOR IS MATED

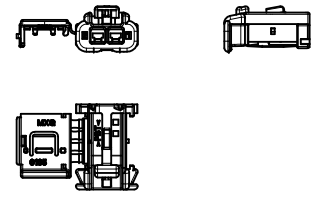


<b>FIRST RELEASE</b> EC NO: G2010-0051 DRAWN: LPOUCHAUD 2008/09/12 CHKC: JUCLOS 2010/07/07 APPR: OPLESSIS 2010/09/02	QUALITY SYMBOLS 	GENERAL TOLERANCES (UNLESS SPECIFIED)		DIMENSION STYLE <b>MM ONLY</b>	SCALE <b>3:1</b>	DESIGN UNITS <b>METRIC</b>	THIRD ANGLE PROJECTION	
		4 PLACES ± --- ± ---	mm INCH	DRAWN BY LPOUCHAUD	DATE 2008/09/12	TITLE <b>UCC RCPT HSG 2.8 2CKT</b>		
		3 PLACES ± --- ± ---		CHECKED BY YIGEL	DATE 2008/09/15	MOLEX INCORPORATED		
		2 PLACES ± 0.05 ± --- 1 PLACE ± 0.1 ± ---		APPROVED BY JUCLOS	DATE 2008/09/17	MATERIAL NO. <b>SEE CHART</b>	DOCUMENT NO. <b>SD-98819-001</b>	SHEET NO. 1 OF 2
DRAFT WHERE APPLICABLE MUST REMAIN WITHIN DIMENSIONS		ANGULAR ± 1°		THIS DRAWING CONTAINS INFORMATION THAT IS PROPRIETARY TO MOLEX INCORPORATED AND SHOULD NOT BE USED WITHOUT WRITTEN PERMISSION				

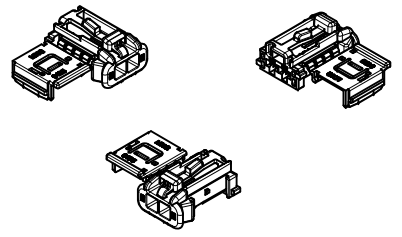
DATUM MONTH/YEAR



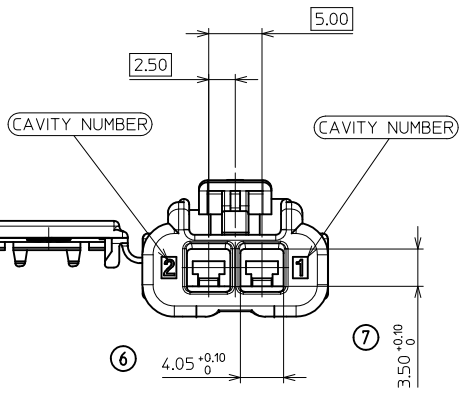
⑤ 24.2 Max



1:1

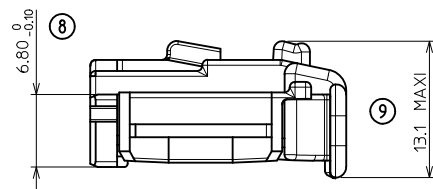


1:1



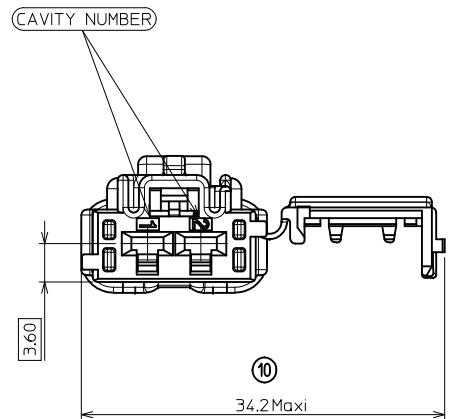
⑥

⑦



⑧

⑨



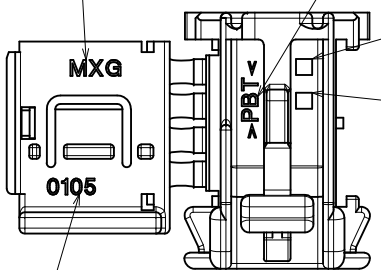
⑩

SUPPLIER ENGINEERING CONTROL ID

RAW MATERIAL

PRINT NUMBER

SUPPLIER MODIFICATION LEVEL



SUPPLIER PART NUMBER

GREEN CODING (P/N 0988191025) IS SHOWN.

UCC RCPT HSG 2.8 2CKT		0988191025	Green	POLYESTER (PBT)	2.131 g				
		0988191021	Black						
		0988191020	White						
Description		Part-Number	Color	Raw Material	Weight effective				
<b>FIRST RELEASE</b> EC NO: G2010-0051 DRAWN: LPOUCHAUD 2008/09/12 CHKD: JDUCLOS 2010/07/07 APPR: OPLESSIS 2010/09/02	QUALITY SYMBOLS 	GENERAL TOLERANCES (UNLESS SPECIFIED)		DIMENSION STYLE	SCALE	DESIGN UNITS	THIRD ANGLE PROJECTION		
				MM ONLY	1:1	METRIC			
				4 PLACES ± --- ± ---	mm	INCH		DATE	TITLE
				3 PLACES ± --- ± ---				2008/09/12	UCC RCPT HSG 2.8 2CKT
				2 PLACES ± 0.05 ± ---				DATE	
		1 PLACE ± 0.1 ± ---			2008/09/15				
		ANGULAR ± 1 °		APPROVED BY	DATE	MOLEX INCORPORATED			
		DRAFT WHERE APPLICABLE MUST REMAIN WITHIN DIMENSIONS		JDUCLOS	2008/09/17	SD-98819-001			
		SEE CHART		MATERIAL NO.	DOCUMENT NO.	SHEET NO. 2 OF 2			
		SIZE A 2		THIS DRAWING CONTAINS INFORMATION THAT IS PROPRIETARY TO MOLEX INCORPORATED AND SHOULD NOT BE USED WITHOUT WRITTEN PERMISSION					