



产品编号 : [988211035](#)

Product Description : NSCC, Receptacle Connector Hybrid, Single Part, Unsealed 3 Circuits, Green

系列号 : 98821

状态 : Active

Product Category : Connector Housings



文件和资源

图纸

[图纸 988211035_sd.pdf](#)

[包装设计图 PK-31301-635-001.pdf](#)

3D 模型和设计文件

[3D模型 988211035_stp.zip](#)

规格

[应用规格 988210001-AS-CH-001.pdf](#)

[应用规格 988210001-PS-CH-001.pdf](#)

[产品规格 PS-98821-001-001.pdf](#)

产物环境合规

合规

GADSL/IMDS	Compliant
China RoHS	Not Relevant
EU ELV	Compliant per 2000/53/EC
Low-Halogen Status	Not Relevant
REACH SVHC	Not Contained per D(2023)3788-DC (14 Jun 2023)
EU RoHS	Compliant per EU 2015/863

多部分产品合规性声明

- Eu RoHS
- REACH SVHC
- Low-Halogen

多部分行业合规性文件

- IPC 1752A Class C

- IPC 1752A Class D
- Molex Product Compliance Declaration
- IEC-62474
- chemSHERPA (xml)

欧盟 RoHS 合格证书

产品详情

常规

状态	活动
类别	Connector Housings
系列	98821
说明	NSCC, Receptacle Connector Hybrid, Single Part, Unsealed 3 Circuits, Green
应用	Power, Wire-to-Wire
产品系列	NSCC - New Standard Casing Contact
产品名称	NSCC
UPC	883906171278

物理

电路数 (最多)	3
颜色-树脂	绿色
性别	Receptacle
符合灼热丝规范	否
插接极性	是
锁定插接部位	是
材料 - 树脂	Polyester
净重	2.430/g
行数	1
包装形式	Carton
面板安装式	否
间距 - 插配接口	4.20mm, 5.00mm
有极性的插配件	是
端口	1
可堆叠的	否

运行温度范围	-40° to +85° C
--------	----------------

进程

无铅	不适用
----	-----

可配插/可连接使用的产品

可配插部件

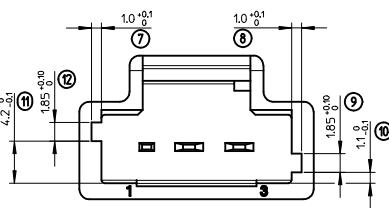
描述	产品编号
配插使用	Counterpart per Interface Drawing, Contact Molex

施工工具

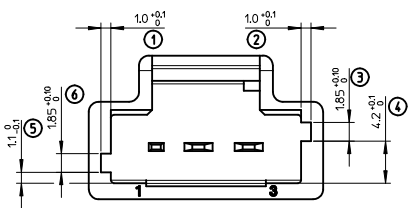
全局

描述	产品编号
Extractor Tool for Unsealed Receptacle Connectors	<u>0638133800</u>

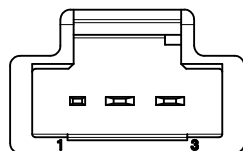
CODINGS



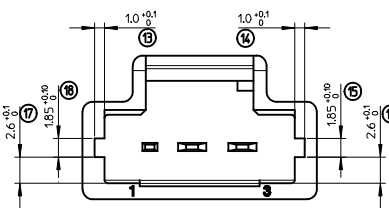
COLOR: GREEN



COLOR: BROWN

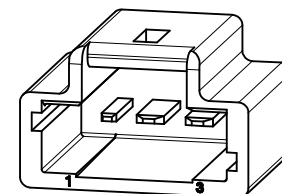


COLOR: BLACK

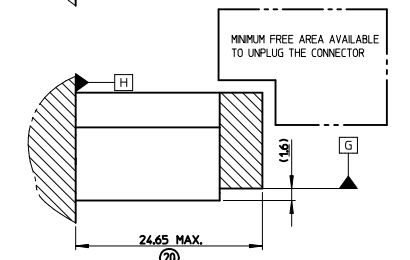
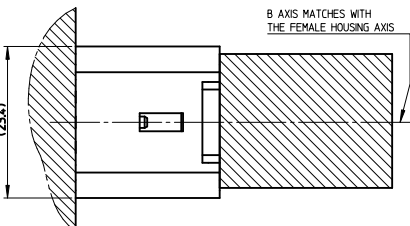
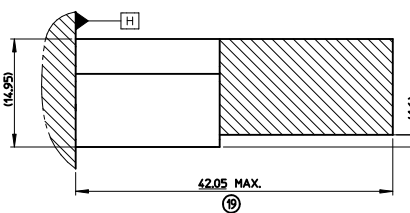


COLOR: WHITE

ISO VIEW (GREEN CODING)

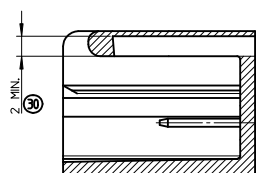


OVERALL DIMENSIONS

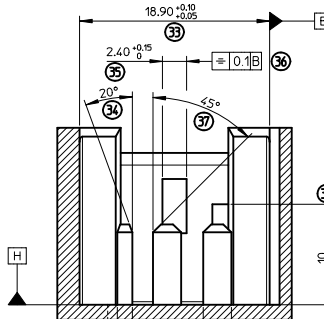


HEADER'S DEFINITION GREEN CODING REPRESENTED

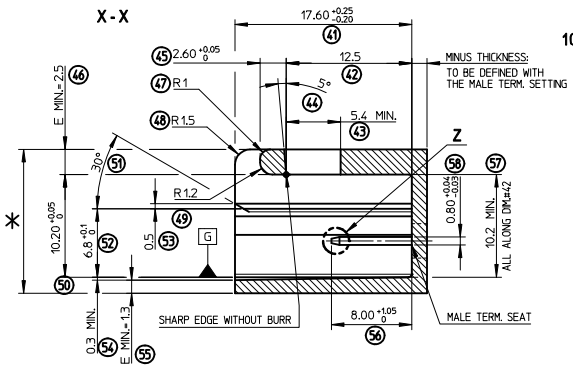
X - X
VARIABLE



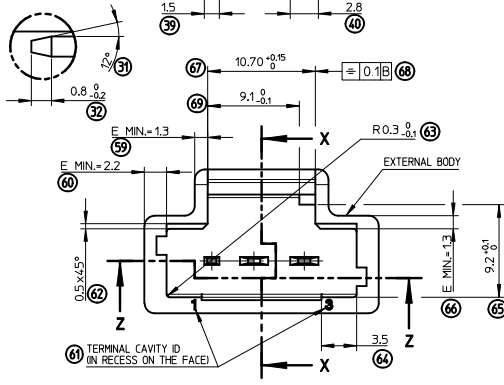
Z - Z



X - X



Z



NOTES:

MALE TERMINALS:

- MALE TERMINALS RESISTANCE: 100N MIN IN MALE TERM. AXIS.
- MATERIAL: COPPER, COPPER ALLOY OR BRASS.
- FINISHES: TIN PLATED 2µ MIN.

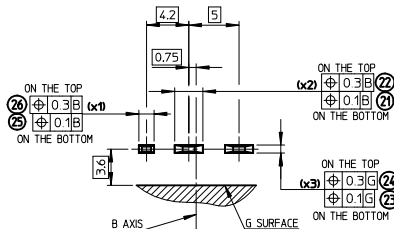
HEADER:

- RADI WITHOUT DIM: R=0.3MM
- E MIN: MINIMUM MATERIAL THICKNESS RECOMMENDED FOR SPECIFIED MATERIAL.
- MATERIAL: PBT (RECOMMENDED) (70)
- WARPING: 0.35MM MAX, ACCEPTED ON "*" DIM, WITH ANOTHER EXTERNAL SHAPE AS DRAWN WHEN PLUGGED.

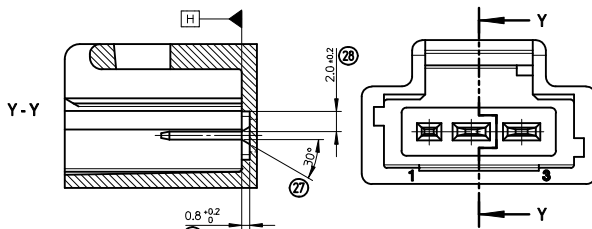
MATES WITH:

- MOLEX CONNECTORS 98821-103X

MALE TERMINALS SETTING



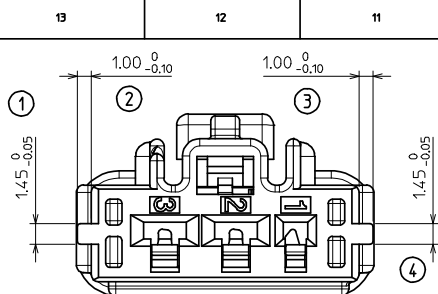
MALE TERMINALS VARIABLE SETTING



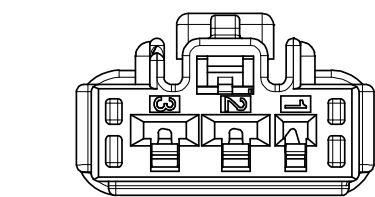
REV.	FIRST	LAST	DELETED	SUPERSEDED
INSPECTION NUMBERS				

PRINT 1st RELEASE EC NO: G2012-0983 DRAWN: GDESBRUERES 2012/04/19 CHKD: JUDUCLOS 2012/04/19 APPROVED: OPLESSIS 2012/04/23	QUALITY SYMBOLS 4 PLACES ± --- ± --- 3 PLACES ± --- ± --- 2 PLACES ± 0.1 ± --- 1 PLACE ± 0.1 ± --- 0 PLACE ± --- ± ---	GENERAL TOLERANCES (UNLESS SPECIFIED) mm INCH ANGULAR ± 2 °	DIMENSION STYLE MM ONLY	SCALE 4:1	DESIGN UNITS METRIC	FIRST ANGLE PROJECTION					
	DRAWN BY DATE GDESBRUERES 2012/04/19			CHECKED BY DATE JUDUCLOS 2012/04/19			APPROVED BY DATE OPLESSIS 2012/04/23				
	MATERIAL NO. N/A			TITLE 3W INTERFACE HYB. TERM (FOR FEMALE HOUSING)			DOCUMENT NO. SD-98820-001				
DRAFT WHERE APPLICABLE MUST REMAIN WITHIN DIMENSIONS						THIS DRAWING CONTAINS INFORMATION THAT IS PROPRIETARY TO MOLEX INCORPORATED AND SHOULD NOT BE USED WITHOUT WRITTEN PERMISSION					

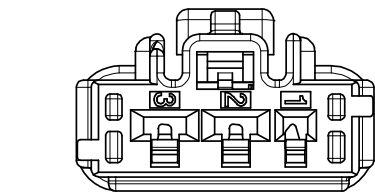
REV.	MODIFICATIONS



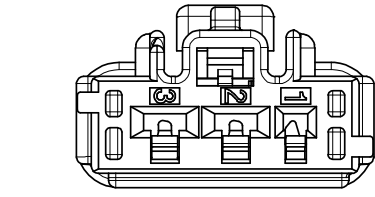
WHITE CODING
0988211030



BLACK CODING
0988211031



GREEN CODING
0988211035

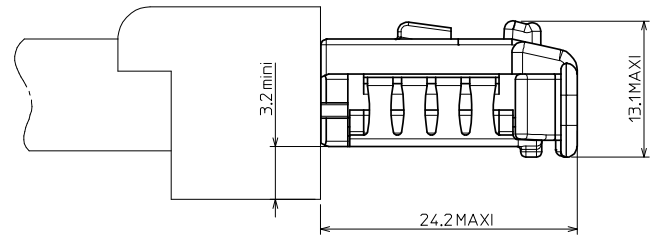
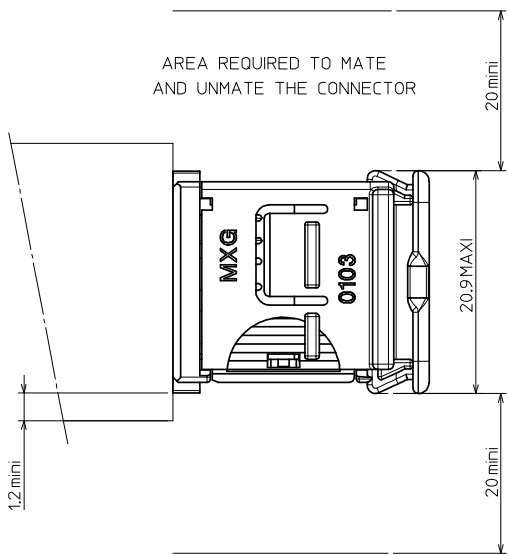


BROWN CODING
0988211039

CODING 4:1

HANDLING AREA

AREA REQUIRED TO MATE
AND UNMATE THE CONNECTOR

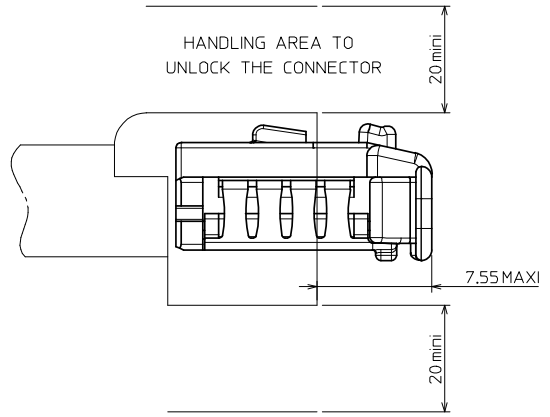


NOTE : 1 - The using conditions of the hinge are shown in the MOLEX specification n°AS-98821-001.

2 - Female terminal used :

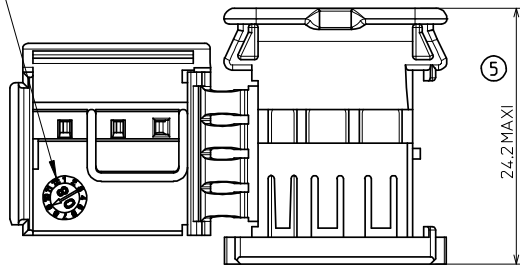
- * For cavity 1.5 mm : SCC RCPT TERM 1.5mm
 - Range 1 : 0988971109 (0.22 mm² to 2x0.22 mm²)
 - Range 2 : 0988971119 (0.5 mm² to 1 mm² included)
 - Range 3 : 0988971129 (2x0.5 mm² to 2 mm² included)
- * for cavity 2.8 mm : RCPT TERM 2.8 mm UCC2
 - Range 1 : 0988981029 (0.34 mm² to 0.68 mm²)
 - Range 2 : 0988981039 (0.93 mm² to 2.16 mm²)
 - Range 3 : 0988981049 (2.26 mm² to 4.95 mm²)

AREA REQUIRED WHEN THE CONNECTOR IS MATED



FIRST RELEASE EC NO: G2009-0009 DRAWN: LPOUCHAUD 2008/07/28 CHKD: YIGEL 2008/07/28 APPR: LSTICKEIR 2008/07/29	DESCRIPTION QUALITY SYMBOLS 	GENERAL TOLERANCES (UNLESS SPECIFIED)		DIMENSION STYLE MM ONLY		SCALE 3:1	DESIGN UNITS METRIC	THIRD ANGLE PROJECTION	
			mm	INCH	DRAWN BY LPOUCHAUD	DATE 2008/06/18	TITLE NSCC HYBRID RCPT CONN 3CKT		
		4 PLACES ± ---	± ---	± ---	CHECKED BY YIGEL	DATE 2008/06/18	MOLEX INCORPORATED DOCUMENT NO. SD-98821-001 SHEET NO. 1 OF 2		
		3 PLACES ± ---	± ---	± ---	APPROVED BY LSTICKEIR	DATE 2008/06/18			
2 PLACES ± ---	± ---	± ---	MATERIAL NO.		SIZE A2 THIS DRAWING CONTAINS INFORMATION THAT IS PROPRIETARY TO MOLEX INCORPORATED AND SHOULD NOT BE USED WITHOUT WRITTEN PERMISSION				
1 PLACE ± 0.10	± ---	± ---	ANGULAR ± 2 °		DRAFT WHERE APPLICABLE MUST REMAIN WITHIN DIMENSIONS				

DATUM MONTH/YEAR

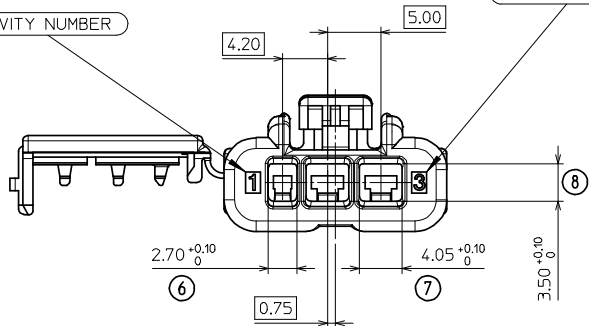


5

24.2 MAXI

CAVITY NUMBER

CAVITY NUMBER



2.70 +0.10/0

6

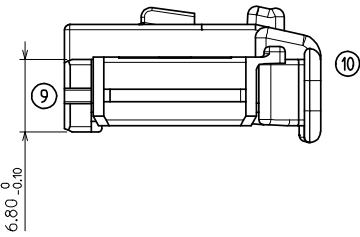
0.75

4.05 +0.10/0

7

3.50 +0.10/0

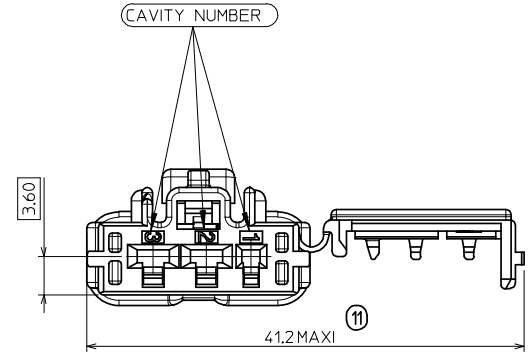
8



9

10

CAVITY NUMBER



3.60

41.2 MAXI

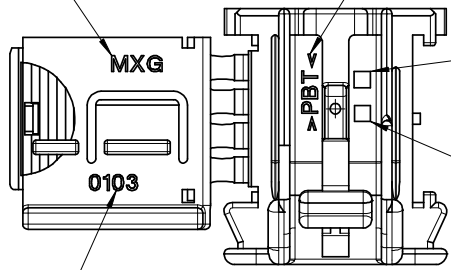
11

SUPPLIER ENGINEERING CONTROL

RAW MATERIAL

PRINT NUMBER

SUPPLIER MODIFICATION LEVEL



MXG

0103

PRINT

SUPPLIER PART NUMBER

WHITE CODING (P/N 0988211030) IS SHOWN.

NSCC HYBRID RCPT CONN 3CKT	0988211039	Brown	POLYESTER (PBT)	2.694 g			
	0988211035	Green					
	0988211031	Black					
	0988211030	White					
Description	Part-Number	Color	Raw Material	Weight effective			
FIRST RELEASE EC NO: G2009-0009 DRAWN: LPOUCHAUD 2008/07/28 CHKD: YIGEL 2008/07/28 APPR: LSTICKEIR 2008/07/29	QUALITY SYMBOLS ▽=0 ▽=0	GENERAL TOLERANCES (UNLESS SPECIFIED)		DIMENSION STYLE MM ONLY	SCALE 3:1	DESIGN UNITS METRIC	THIRD ANGLE PROJECTION
		4 PLACES ± --- ± --- 3 PLACES ± --- ± --- 2 PLACES ± --- ± --- 1 PLACE ± 0.10 ± --- ANGULAR ± 2 °	mm INCH DRAWN BY DATE LPOUCHAUD 2008/06/18 CHECKED BY DATE YIGEL 2008/06/18 APPROVED BY DATE LSTICKEIR 2008/06/18 MATERIAL NO.	TITLE		NSCC HYBRID RCPT CONN 3CKT	
DRAFT WHERE APPLICABLE MUST REMAIN WITHIN DIMENSIONS		SEE CHART		MOLEX INCORPORATED SD-98821-001		SHEET NO. 2 OF 2	
THIS DRAWING CONTAINS INFORMATION THAT IS PROPRIETARY TO MOLEX INCORPORATED AND SHOULD NOT BE USED WITHOUT WRITTEN PERMISSION							