



产品编号 : 988211065

系列号 : 98821

Product Category : Connector Housings

Product Description : NSCC, Receptacle Connector Hybrid, Single Part, Unsealed 6 Circuits Green

状态 : Active

工程编号 : 010405325

文件和资源

图纸

图纸 988211065_sd.pdf

包装设计图 PK-31301-635-001.pdf

3D 模型和设计文件

3D模型 988211065_stp.zip

规格

应用规格 988210001-AS-CH-001.pdf

应用规格 988210001-PS-CH-001.pdf

产品规格 PS-98821-001-001.pdf

产物环境合规

合规

GADSL/IMDS	Compliant
China RoHS	Not Relevant
EU ELV	Compliant per 2000/53/EC
Low-Halogen Status	Not Relevant
REACH SVHC	Not Contained per D(2023)8585-DC (23 Jan 2024)
EU RoHS	Compliant per EU 2015/863

多部分产品合规性声明

- Eu RoHS
- REACH SVHC
- Low-Halogen

- IPC 1752A Class C
- IPC 1752A Class D
- Molex Product Compliance Declaration

- IEC-62474

- chemSHERPA (xml)

欧盟 RoHS 合格证书

产品详情

常规

状态	活动
类别	Connector Housings
系列	98821
说明	NSCC, Receptacle Connector Hybrid, Single Part, Unsealed 6 Circuits Green
应用	Power, Wire-to-Wire
产品系列	NSCC - New Standard Casing Contact
产品名称	NSCC
UPC	822348816842

物理

断开	否
电路详图	4 x 1.5 + 2 x 2.8
电路数 (最多)	6
颜色-树脂	绿色
性别	Receptacle
符合灼热丝规范	否
插接极性	是
锁定插接部位	是
材料 - 树脂	Polyester
净重	3.490/g
行数	1
包装形式	Bag
面板安装式	否
间距 - 插配接口	3.33mm, 4.20mm, 5.00mm
间距 - 终端界面	3.33mm, 4.20mm, 5.00mm
有极性的插配件	是
端口	1

可堆叠的	否
运行温度范围	-40° to +85° C

进程

无铅	不适用
----	-----

可配插/可连接使用的产品

可配插部件

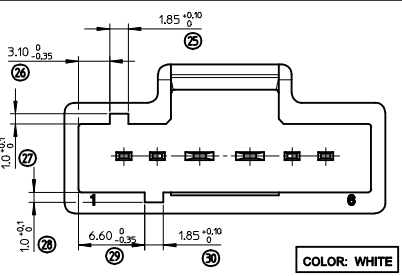
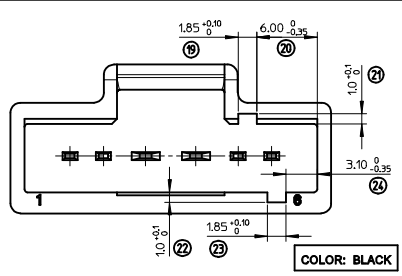
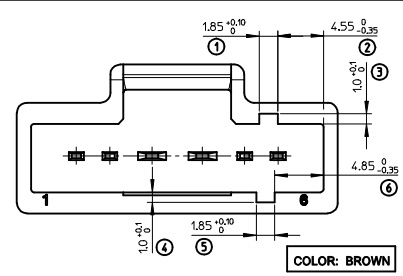
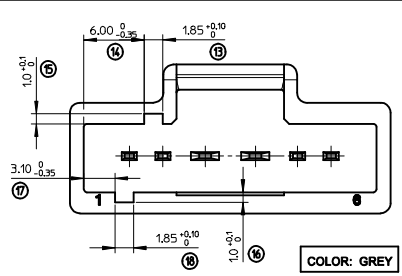
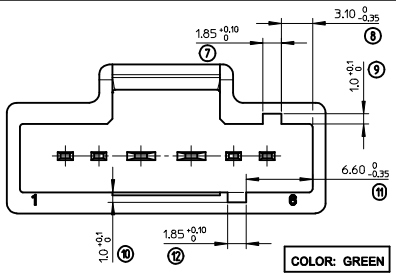
描述	产品编号
NSCC Unsealed Pin Connectors	<u>98825</u>

施工工具

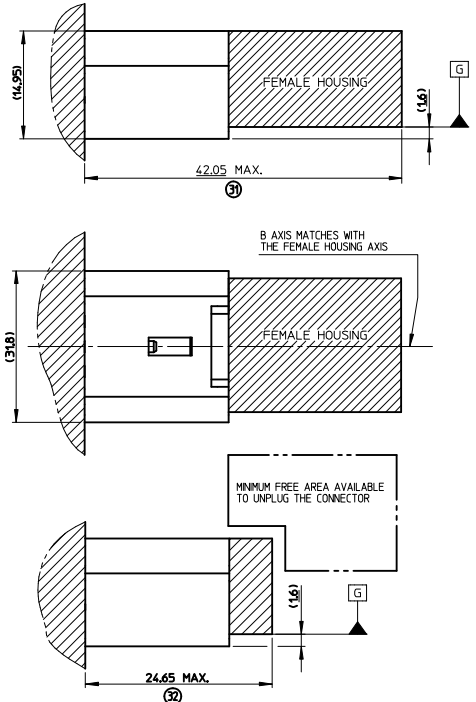
全局

描述	产品编号
Extractor Tool for Unsealed Receptacle Connectors	<u>638133800</u>

CODINGS

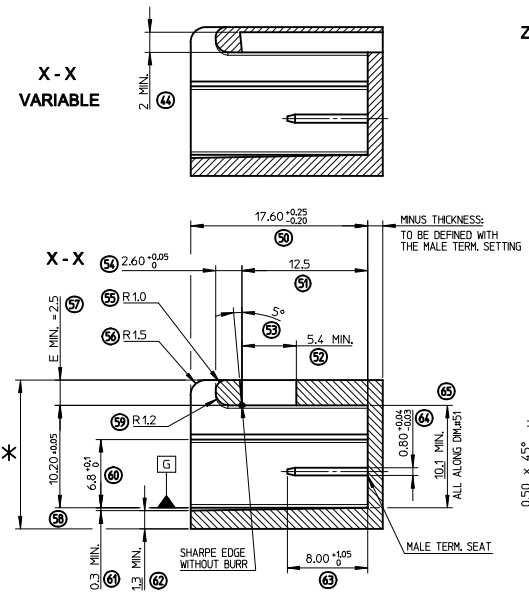


OVERALL DIMENSIONS

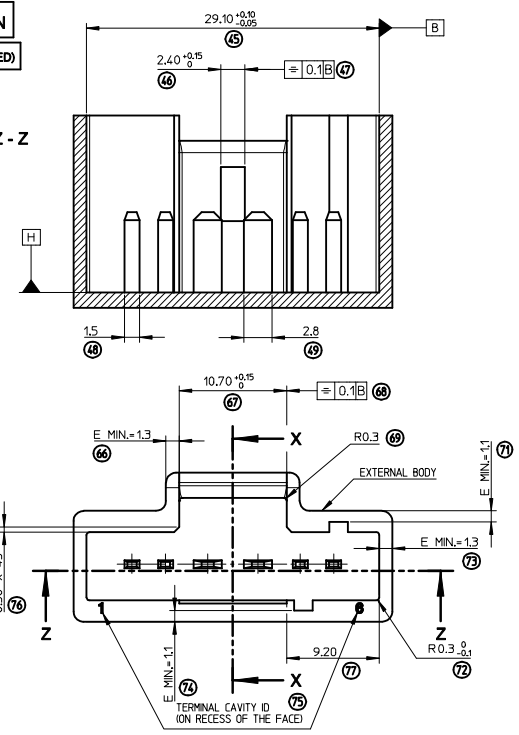


HEADER'S DEFINITION

(GREEN CODING REPRESENTED)

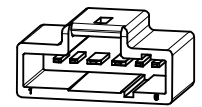


Z - Z



ISO VIEW

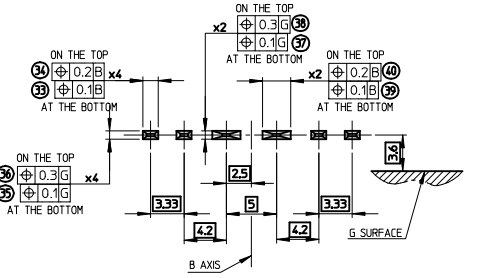
(GREEN CODING)



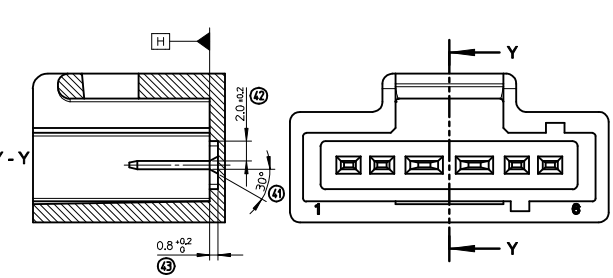
NOTES:

- MALE TERMINALS:**
 - MALE TERMINALS RESISTANCE: 100N MIN IN MALE TERM. AXIS.
 - MATERIAL: COPPER, COPPER ALLOY OR BRASS.
 - FINISHES: TIN PLATED 2µ MIN.
- HEADER:**
 - RADII WITHOUT DIM: R<0.3MM
 - E MIN: MINIMUM MATERIAL THICKNESS RECOMMENDED FOR SPECIFIED MATERIAL
 - MATERIAL: PBT (RECOMMENDED) (70)
 - * WARNING: 0.35MM MAX. ACCEPTED ON "*" DIM. WITH ANOTHER EXTERNAL SHAPE AS DRAWN WHEN PLUGGED.
- MATES WITH:**
 - MOLEX CONNECTORS 98821-106X

MALE TERMINALS SETTING



MALE TERMINALS VARIABLE SETTING



REV.	FIRST	LAST	DELETED	SUPERSEDED
	1	76		

INSPECTION NUMBERS

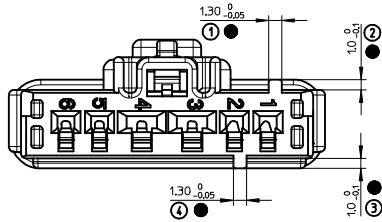
<p>PRINT 1st RELEASE</p> <p>EC NO: G2012-0184</p> <p>DRWING DESBRIERES 2012/04/23</p> <p>CHKD: JUDUCLOS 2012/04/24</p> <p>APPROVED: JUDUCLOS 2012/05/02</p>	<p>QUALITY SYMBOLS</p> <p>▽+0</p> <p>▽-0</p> <p>▽-0</p>	<p>GENERAL TOLERANCES (UNLESS SPECIFIED)</p> <table border="1"> <tr> <th></th> <th>mm</th> <th>INCH</th> </tr> <tr> <td>4 PLACES ±</td> <td>---</td> <td>---</td> </tr> <tr> <td>3 PLACES ±</td> <td>---</td> <td>---</td> </tr> <tr> <td>2 PLACES ±</td> <td>0.1</td> <td>---</td> </tr> <tr> <td>1 PLACE ±</td> <td>0.1</td> <td>---</td> </tr> <tr> <td>0 PLACE ±</td> <td>---</td> <td>---</td> </tr> </table> <p>ANGULAR ± 2°</p> <p>DRAFT WHERE APPLICABLE MUST REMAIN WITHIN DIMENSIONS</p>		mm	INCH	4 PLACES ±	---	---	3 PLACES ±	---	---	2 PLACES ±	0.1	---	1 PLACE ±	0.1	---	0 PLACE ±	---	---	<p>DIMENSION STYLE</p> <p>MM ONLY</p>	<p>SCALE</p> <p>4:1</p>	<p>DESIGN UNITS</p> <p>METRIC</p>	<p>PROJECTION</p> <p>FIRST ANGLE</p>
				mm	INCH																			
4 PLACES ±	---	---																						
3 PLACES ±	---	---																						
2 PLACES ±	0.1	---																						
1 PLACE ±	0.1	---																						
0 PLACE ±	---	---																						
<p>DRAWN BY DATE</p> <p>ASHOOR 1996/12/20</p> <p>CHECKED BY DATE</p> <p>JUDUCLOS 2007/12/13</p> <p>APPROVED BY DATE</p> <p>OPLESSIS 2012/05/02</p> <p>MATERIAL NO.</p> <p>N/A</p>	<p>TITLE</p> <p>6W INTERFACE HYB. (FOR FEMALE HOUSING)</p>	<p>DOCUMENT NO.</p> <p>SD-98820-002</p>	<p>SHEET NO.</p> <p>1 OF 1</p>																					

molex

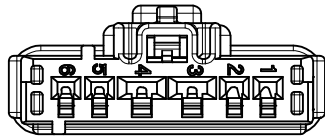
THIS DRAWING CONTAINS INFORMATION THAT IS PROPRIETARY TO MOLEX INCORPORATED AND SHOULD NOT BE USED WITHOUT WRITTEN PERMISSION

REV.	MODIFICATIONS
E	- PRINT REDRAWN AND ASSOCIATED WITH 3D MODELS. - FRENCH TEXTS REMOVED. - RE-NUMBERED BALLONS. - NEW MOLEX TITLE BLOCK (4 RE-PAGED).
D1	- DRAWING SPEC. N°26 REDRAWN WITH MOLEX ID ISO-98820-002
D	- R12 ±0.1 WAS R0.5 ±0.10 TO BE RESPECTED ON HEADERS.
C	- BROWN CODING ADDED.
B	- E-E SECTION: 0.3 MIN. (AND DRAFT) WAS 0.3 0/-0.1 MALE TERMINALS TOLERANCES AND SETTING UPDATED.
A	- 29.1 ±0.10 → 29.1 ±0.1/-0.05 - 7 0/-0.1 → 7 MAX. - DM: 0.1 MIN. ADDED ALL ALONG DIM. 12.5 - 3.1 0/-0.1 → 3.1 0/-0.35 - 6.6 0/-0.1 → 6.6 0/-0.35 - 6.1 0/-0.1 → 6.1 0/-0.35
/	- DRAWING GENERATED WITH SPEC. N°27 REV. B WITH CODINGS UPDATED AND LIGHTNESS CAVITIES REMOVED.

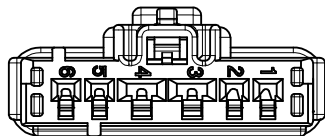
MOLEX P/N°: 0988211060
COLOUR: WHITE



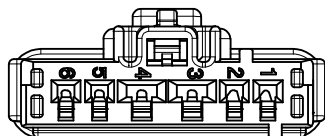
MOLEX P/N°: 0988211061
COLOUR: BLACK



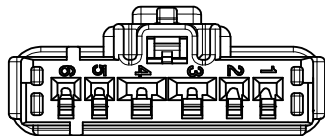
MOLEX P/N°: 0988211065
COLOUR: GREEN



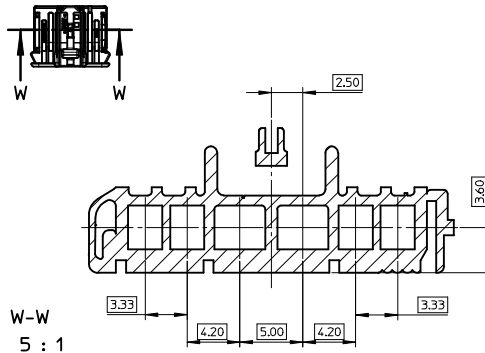
MOLEX P/N°: 0988211068
COLOUR: GREY



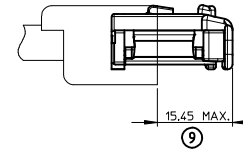
MOLEX P/N°: 0988211069
COLOUR: BROWN



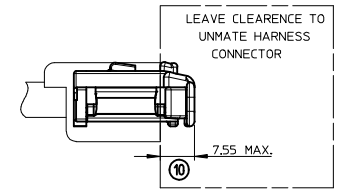
CAVITIES PITCH
5:1



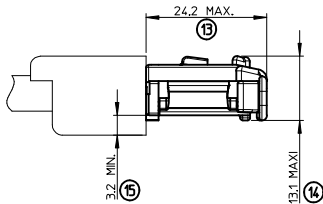
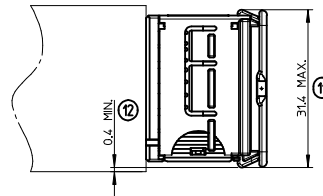
HOLDING IN FIXTURE
DIMENSION PRIOR TO LOCKING
2:1



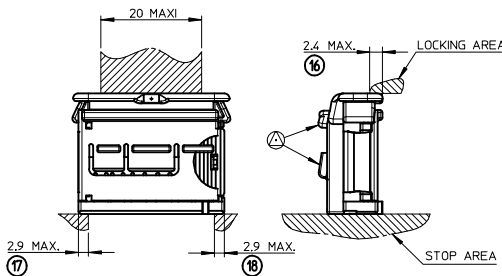
DIMENSION WHEN CONNECTOR MATED
2:1



CLEARANCE FOR CONNECTOR MATED AND UNMATED
2:1



HOLDING IN FIXTURE
2:1



		MOLEX P/N	
SCC RCPT TERM 1.5 MM	RANGE 1	0988971109	
	RANGE 2	0988971119	
	RANGE 3	0988971129	
TERM RCPT 2.8 MM UCC2	RANGE 1		0988981029
	RANGE 2		0988981039
	RANGE 3		0988981049

INDICATION DIMENSIONS S.P.C DENOTES S.P.C DIMENSIONS
 INDICATION DIMENSIONS CRITIQUES DENOTES CRITIQUES DIMENSIONS
 INDICATION DIMENSIONS FONCTIONNELLES DENOTES FUNCTIONNELLES DIMENSIONS
 QUANTITE PAR FEUILLE INDIVIDUELLE
 QUANTITY PER INDIVIDUAL SHEET
 = 0 = 0 = 4

- FEMALE CONNECTOR WILL MATE WITH MALE CONNECTOR P/N 098825106x OR HEADER P/N 098770201X

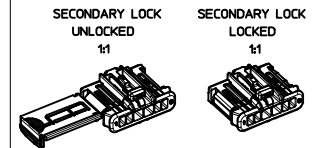
- THE USING CONDITIONS OF THE HINGE ARE SHOWN IN THE MOLEX SPECIFICATION N°: AS-98821-001.

- HOLDING FORCE ONTO FIXTURE:
20 TO 35 NEWTON WITH PUSH TEST.
10 TO 35 NEWTON WITHOUT PUSH TEST.

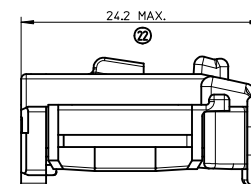
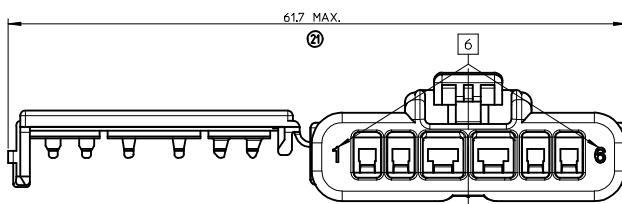
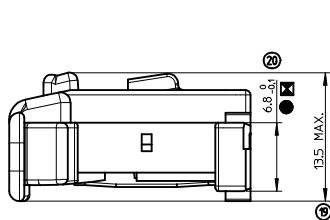
- DO NOT LOCK THE FIXTURE WITH THE AREAS IDENTIFIED BY: (16)

- DO NOT DAMAGE THE PART ON THE AREAS IDENTIFIED BY: (17)

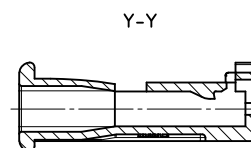
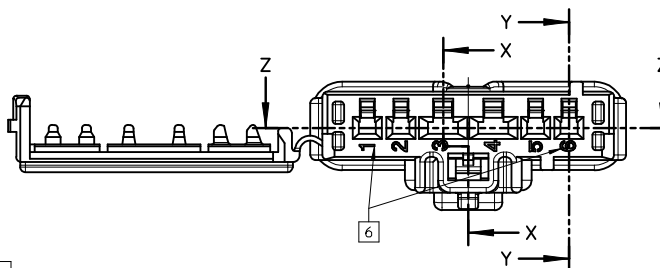
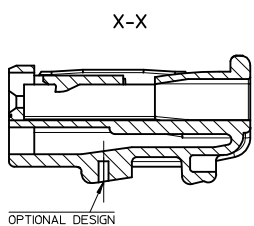
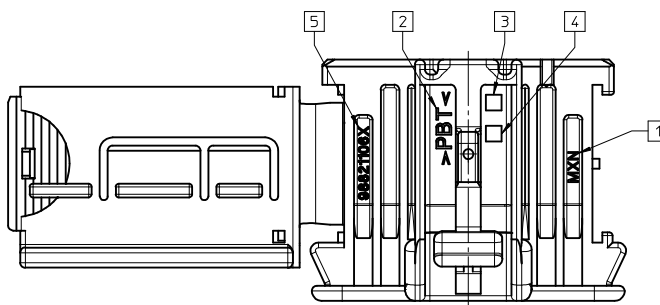
- FEMALE TERMINAL USED: SEE CHART BELOW.



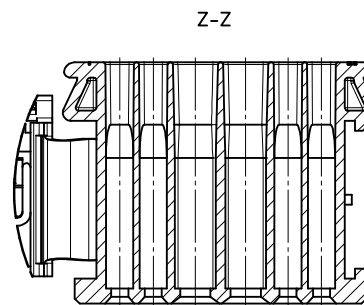
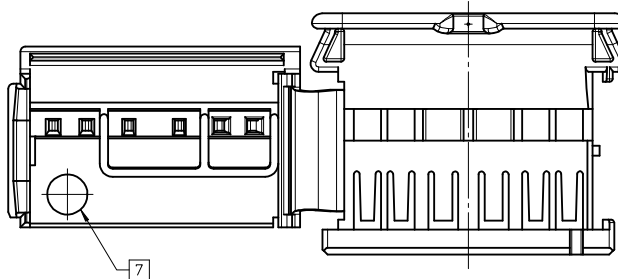
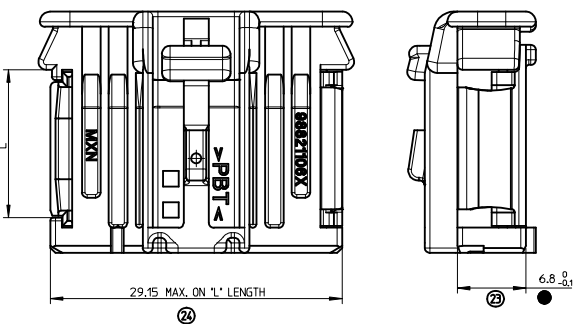
REVISED IEC NO: G2013-030 0000-0103 C DRAWINGS: BRUIERES 2013/04/26 CHYKOLBARRETO 2013/04/26 APPROPRIETES 2013/09/12	QUALITY SYMBOLS (19) (20) (21)	GENERAL TOLERANCES (UNLESS SPECIFIED)		DIMENSION STYLE MM ONLY		SCALE 4:1	DESIGN UNITS METRIC	FIRST ANGLE PROJECTION	
			mm	INCH	DRAWN BY LPOUCHAUD	DATE 2007/12/05	TITLE UCC RCPT CONN HYBRID UNSEALD 6CKT		
		4 PLACES ± --- ± ---			CHECKED BY YIGEL	DATE 2007/12/12	DOCUMENT NO. SD-98821-002		
		3 PLACES ± --- ± ---			APPROVED BY LSTICKEIR	DATE 2007/12/17	SHEET NO. 1 OF 2		
		ANGULAR ± 1 °		SEE CHART		THIS DRAWING CONTAINS INFORMATION THAT IS PROPRIETARY TO MOLEX INCORPORATED AND SHOULD NOT BE USED WITHOUT WRITTEN PERMISSION			



SECONDARY LOCK
UNLOCKED



SECONDARY LOCK
LOCKED



- FEMALE CONTACTS AND CAVITIES LOCATION,
HOLDING IN FIXTURE, OVERALL DIMENSIONS,
KEY ACCORDING SHEET 1/2 OF SAME P/N°.

MARKINGS:

- 1 - SUPPLIER MFG. PLANT ID.
- 2 - MATERIAL
- 3 - MOLD CAVITY ID.
- 4 - SUPPLIER MOLD REV. LEVEL
- 5 - SUPPLIER P/N°
- 6 - TERM. CAVITY N°
- 7 - DATUM: MONTH/YEAR

1 : 1



[X] INDICATION DIMENSIONS S.P.C
 DENOTES S.P.C DIMENSIONS
 [2] INDICATION DIMENSIONS CRITIQUES
 DENOTES CRITIQUES DIMENSIONS
 [3] INDICATION DIMENSIONS FONCTIONNELLES
 DENOTES FUNCTIONNELLES DIMENSIONS
 QUANTITE PAR FEUILLE INDIVIDUELLE
 QUANTITY PER INDIVIDUAL SHEET
 [4] = 1 [5] = 0 [6] = 2

DESCRIPTION	P/N°	COLOUR	MATERIAL	EFFECTIVE WEIGHT
UCC RCPT CONN HYBRID UNSEALED 6CKT	0988211069	BROWN	PBT	3.480 g
	0988211068	GREY		
	0988211065	GREEN		
	0988211060	WHITE		
	0988211061	BLACK		

REVISED
 E.C. NO: 62013-0330
 DRAWING: BRVIERES 2013/04/26
 CHK: BARRETO 2013/04/26
 APPR: DELESSIS 2013/09/12

QUALITY SYMBOLS	GENERAL TOLERANCES (UNLESS SPECIFIED)	
	mm	INCH
4 PLACES	± 0.10	± 0.004
3 PLACES	± 0.15	± 0.006
2 PLACES	± 0.20	± 0.008
1 PLACE	± 0.30	± 0.012
0 PLACE	± 0.40	± 0.016

ANGULAR ± 1°
 DRAFT WHERE APPLICABLE
 MUST REMAIN WITHIN DIMENSIONS

DIMENSION STYLE	
MM ONLY	
DRAWN BY	DATE
LPOUCHAUD	2007/12/05
CHECKED BY	DATE
YIGEL	2007/12/12
APPROVED BY	DATE
LSTICKEIR	2007/12/17
MATERIAL NO.	
SEE CHART	

SCALE	DESIGN UNITS	FIRST ANGLE PROJECTION
4:1	METRIC	[Symbol]
TITLE		
UCC RCPT CONN HYBRID UNSEALED 6CKT		
DOCUMENT NO.		
SD-98821-002		
SHEET NO.		2 OF 2

molex
 THIS DRAWING CONTAINS INFORMATION THAT IS PROPRIETARY TO MOLEX
 INCORPORATED AND SHOULD NOT BE USED WITHOUT WRITTEN PERMISSION