



产品编号 : 988221020

系列号 : 98822

Product Category : Connector Housings

Product Description : NSCC 3.33mm Pitch Male Pin Connector, Non-Sealed, 2 Circuits, White

状态 : Active

工程编号 : 07519EV2F9

文件和资源

图纸

图纸 988221020_sd.pdf

包装设计图 PK-31301-635-001.pdf

3D 模型和设计文件

3D模型 988221020_stp.zip

规格


应用规格 988210001-AS-CH-001.pdf

应用规格 988210001-PS-CH-001.pdf

产品规格 PS-98821-001-001.pdf

产物环境合规

合规

GADSL/IMDS	Not Relevant
China RoHS	
EU ELV	Compliant per 2000/53/EC
Low-Halogen Status	Low-Halogen per IEC 61249-2-21
REACH SVHC	Not Contained per D(2023)8585-DC (23 Jan 2024)
EU RoHS	Compliant per EU 2015/863

多部分产品合规性声明

- Eu RoHS
- REACH SVHC
- Low-Halogen

- IPC 1752A Class C
- IPC 1752A Class D
- Molex Product Compliance Declaration

- IEC-62474

- chemSHERPA (xml)

欧盟 RoHS 合格证书

产品详情

常规

状态	活动
类别	Connector Housings
系列	98822
说明	NSCC 3.33mm Pitch Male Pin Connector, Non-Sealed, 2 Circuits, White
应用	Wire-to-Wire
产品系列	NSCC - New Standard Casing Contact
产品名称	NSCC
UPC	822348816910

物理

电路详图	2
电路数 (最多)	2
颜色-树脂	白色
性别	Plug
符合灼热丝规范	否
锁定插接部位	是
材料 - 树脂	PBT
净重	4.493/g
行数	1
包装形式	Carton
面板安装式	否
间距 - 插配接口	3.33mm
有极性的插配件	是
可堆叠的	否
运行温度范围	-40° to +85° C

进程

无铅	不适用
----	-----

可配插/可连接使用的产品

可配插部件

描述	产品编号
NSCC Single Part Unsealed Female Housings	<u>98817</u>

可连接使用部件

描述	产品编号
可装的端子等部件	1.50mm Size FCI SICMA Male Terminal

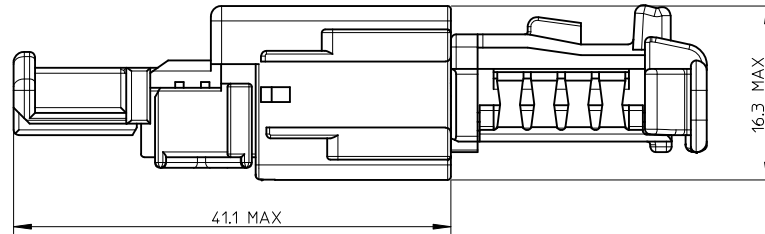
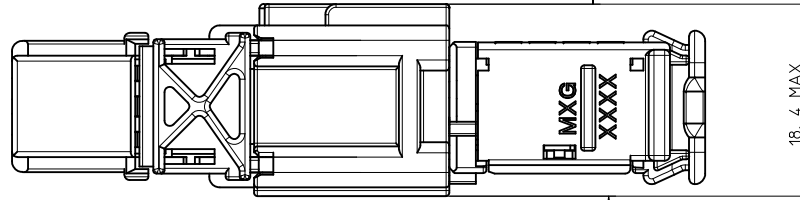
施工工具

全局

描述	产品编号
Extractor Tool for Unsealed Receptacle Connectors	<u>638133800</u>

HANDLING AREA

AREA REQUIRED TO MATE
AND UNMATE THE CONNECTOR

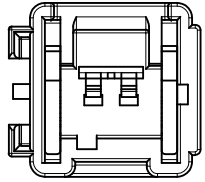
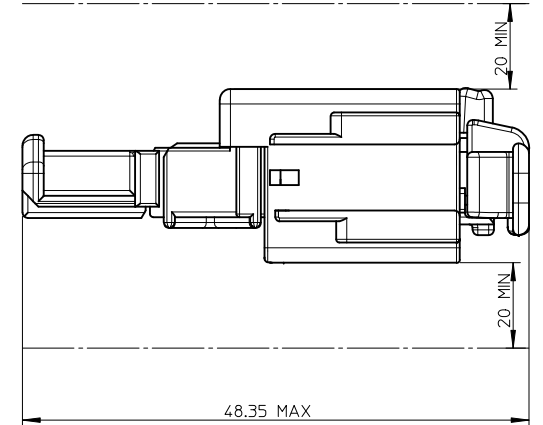


NOTE : 1 - The using conditions are shown in the MOLEX specification n°AS-98821-001.

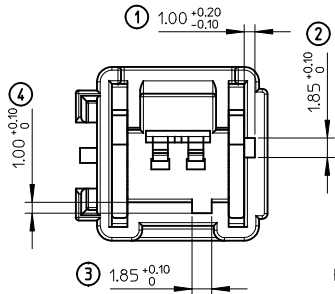
2 - Male terminal used : SICMA 3 1.5mm

3 - Male connector will mate with female connector P/N 098817102x

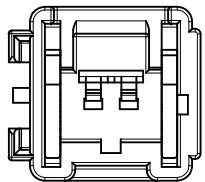
AREA REQUIRED WHEN THE CONNECTOR IS MATED



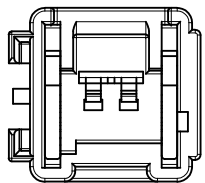
WHITE CODING
P/N 0988221020



BLACK CODING
P/N 0988221021

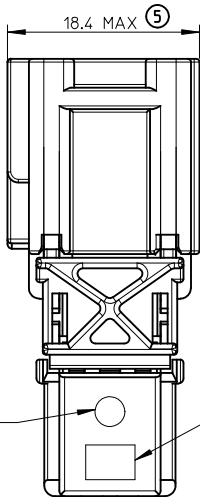


GREY CODING
P/N 0988221028

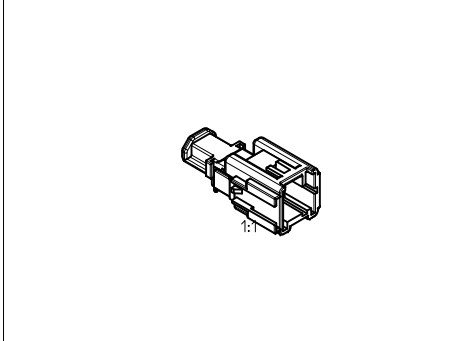


GREEN CODING
P/N 0988221025

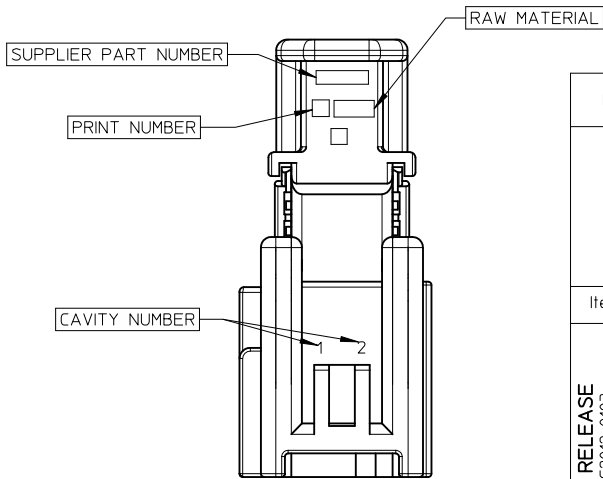
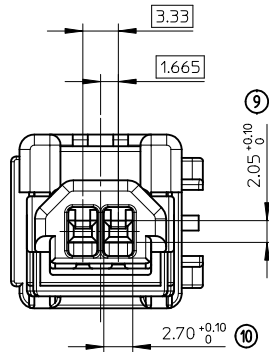
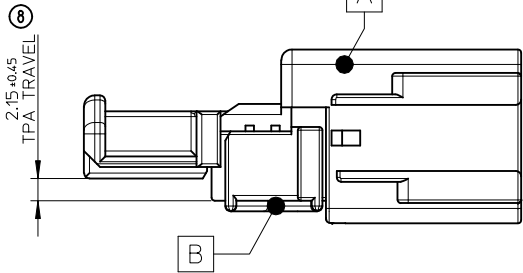
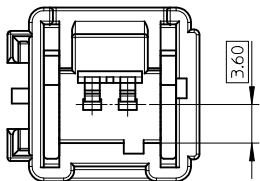
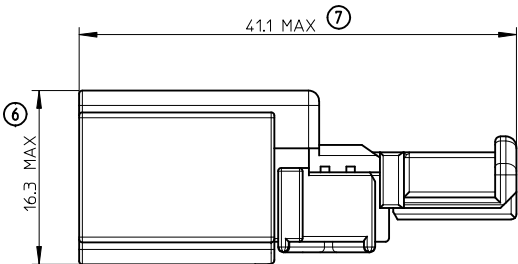
FIRST RELEASE EC NO: G2012-0103 DRAWN BY: VJOUAS 2012/01/12 CHKD: AHERBELIN 2011/01/13 APPR: OPLESSIS 2012/01/26	QUALITY SYMBOLS ∇=0 ∇=0 ∇=0	GENERAL TOLERANCES (UNLESS SPECIFIED)		DIMENSION STYLE MM ONLY		SCALE 3:1	DESIGN UNITS METRIC	FIRST ANGLE PROJECTION		
		4 PLACES ± ---	± ---	DRAWN BY VJOUAS	DATE 2012/01/12	TITLE NSCC PIN CONN 1.5 2CKT				
		3 PLACES ± ---	± ---	CHECKED BY AHERBELIN	DATE 2011/01/13	MATERIAL NO. SEE SHEET2				
		2 PLACES ± ---	± ---	APPROVED BY OPLESSIS	DATE 2012/01/26	MOLEX INCORPORATED		DOCUMENT NO. SD-98822-004		
1 PLACE ± 0.1	± ---	ANGULAR ± 1°		DRAFT WHERE APPLICABLE MUST REMAIN WITHIN DIMENSIONS		SHEET NO. 1 OF 2		THIS DRAWING CONTAINS INFORMATION THAT IS PROPRIETARY TO MOLEX INCORPORATED AND SHOULD NOT BE USED WITHOUT WRITTEN PERMISSION		



0988221028	GREY
0988221025	GREEN
0988221021	BLACK
0988221020	WHITE
PART NUMBER	COLOR
ASSEMBLY PART	



DATUM MONTH/YEAR SUPPLIER ENGINEERING CONTROL ID



BLACK CODING (P/N 0988221021) IS SHOWN.

B	SCC Pin Conn 15x0.8 TPA 2Ckt	0988221024	Yellow	POLYAMIDE >PA66-GF20<	4.508	
A	SCC Pin Conn Unseated 15x0.8 2Ckt	0988220028	Grey	POLYESTER >PBT<		
		0988220025	Green			
		0988220021	Black			
		0988220020	White			
Item	Description	Part-number	Color	Raw Material	Weight effective (g)	
FIRST RELEASE EC NO: G2012-0103 DRAWN: VJOUAS 2012/01/12 CHKD: AHERBEL IN 2011/01/13 APPR: OPLESSIS 2012/01/26	QUALITY SYMBOLS ▽=0 ▽=0 ▽=0	GENERAL TOLERANCES (UNLESS SPECIFIED)		DIMENSION STYLE MM ONLY		
		4 PLACES ± --- ± ---		DRAWN BY	DATE	SCALE
		3 PLACES ± --- ± ---		VJOUAS	2012/01/12	3:1
		2 PLACES ± --- ± ---		CHECKED BY	DATE	DESIGN UNITS
1 PLACE ± 0.1 ± ---		AHERBEL IN	2011/01/13	METRIC		
ANGULAR ± 1 °		APPROVED BY	DATE	FIRST ANGLE PROJECTION		
DRAFT WHERE APPLICABLE MUST REMAIN WITHIN DIMENSIONS		OPLESSIS	2012/01/26	TITLE NSSC PIN CONN 1.5 2CKT		
SEE CHART		MATERIAL NO.		DOCUMENT NO.		
SIZE A2		THIS DRAWING CONTAINS INFORMATION THAT IS PROPRIETARY TO MOLEX INCORPORATED AND SHOULD NOT BE USED WITHOUT WRITTEN PERMISSION		MOLEX MOLEX INCORPORATED SD-98822-004		
				SHEET NO. 2 OF 2		