



产品编号 : 988221045

系列号 : 98822

Product Category : Connector Housings

Product Description : NSCC 3.33mm Pitch Male Pin Connector, Non-Sealed, 4 Circuits, Green

状态 : Active

工程编号 : 07715EV4F5

文件和资源

图纸

图纸 988221045_sd.pdf

包装设计图 PK-31301-635-001.pdf

3D 模型和设计文件

3D模型 988221045_stp.zip

规格

应用规格 988210001-AS-CH-001.pdf

应用规格 988210001-PS-CH-001.pdf

产品规格 PS-98821-001-001.pdf

产物环境合规

合规

GADSL/IMDS	Compliant
China RoHS	Not Relevant
EU ELV	Compliant per 2000/53/EC
Low-Halogen Status	Not Relevant
REACH SVHC	Not Contained per D(2023)8585-DC (23 Jan 2024)
EU RoHS	Compliant per EU 2015/863

多部分产品合规性声明

- Eu RoHS
- REACH SVHC
- Low-Halogen

- IPC 1752A Class C
- IPC 1752A Class D
- Molex Product Compliance Declaration

- IEC-62474

- chemSHERPA (xml)

欧盟 RoHS 合格证书

产品详情

常规

状态	活动
类别	Connector Housings
系列	98822
说明	NSCC 3.33mm Pitch Male Pin Connector, Non-Sealed, 4 Circuits, Green
应用	Wire-to-Wire
产品系列	NSCC - New Standard Casing Contact
产品名称	NSCC
UPC	822348817153

物理

电路详图	4
电路数 (最多)	4
颜色-树脂	绿色
性别	Plug
符合灼热丝规范	否
锁定插接部位	是
材料 - 树脂	PBT
净重	5.410/g
行数	1
包装形式	Carton
面板安装式	否
间距 - 插配接口	3.33mm
有极性的插配件	是
可堆叠的	否
运行温度范围	-40° to +85° C

进程

无铅	不适用
----	-----

可配插/可连接使用的产品

可配插部件

描述	产品编号
NSCC Single Part Unsealed Female Housings	<u>98817</u>

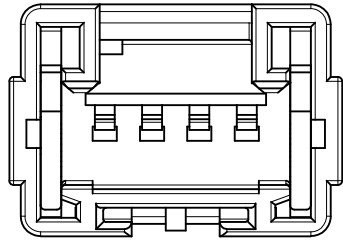
可连接使用部件

描述	产品编号
可装的端子等部件	1.50mm Size FCI SICMA Male Terminal

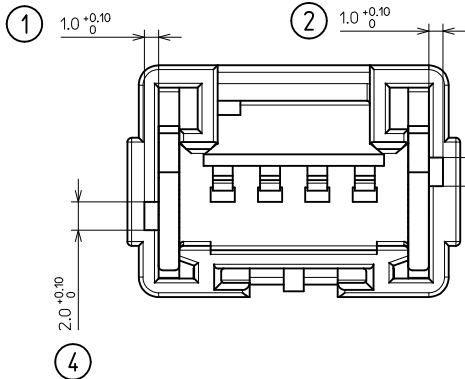
施工工具

全局

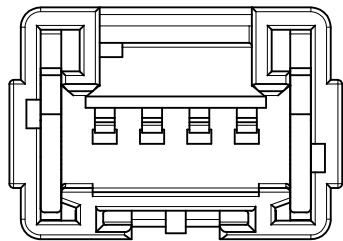
描述	产品编号
Extractor Tool for Unsealed Receptacle Connectors	<u>638133800</u>



WHITE CODING
P/N 0988221040



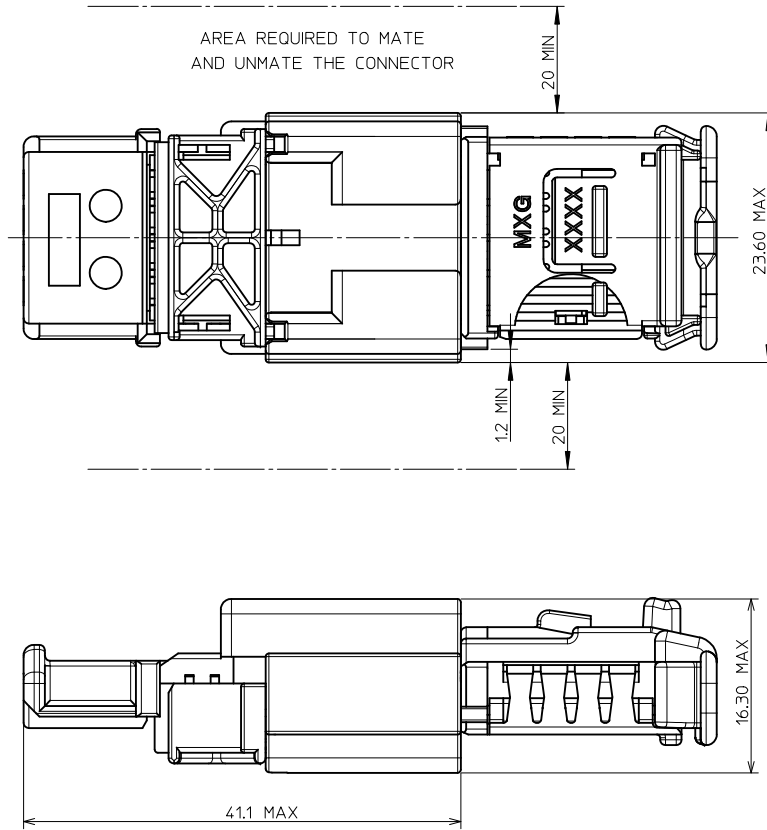
BLACK CODING
P/N 0988221041



GREEN CODING
P/N 0988221045

CODING 4:1

HANDLING AREA

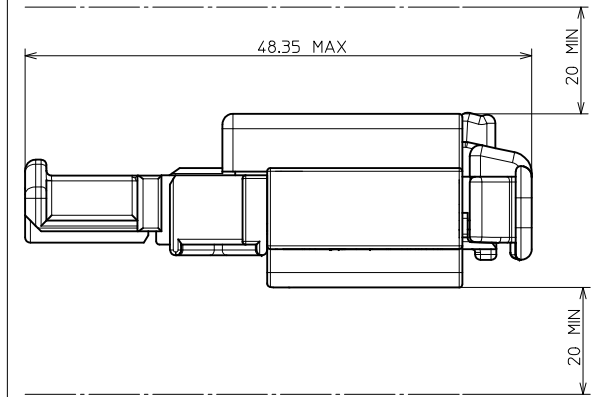


NOTE : 1 - The using conditions are shown in the MOLEX specification n°AS-98821-001.

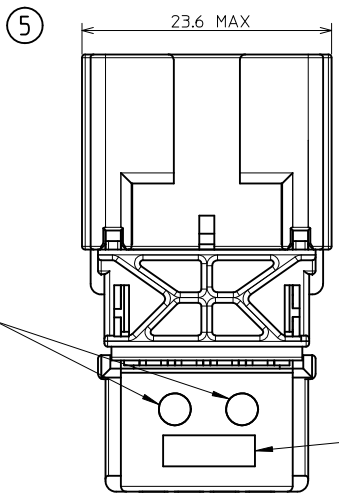
2 - Male terminal used : SICMA 3 1.5mm

3 - Male connector will mate with female connector P/N 098817104x

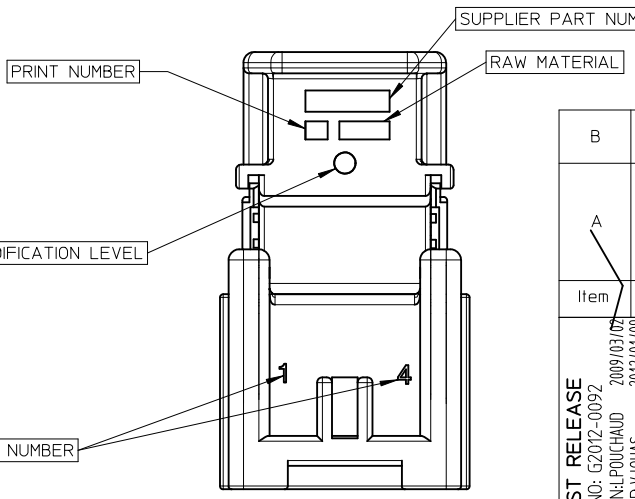
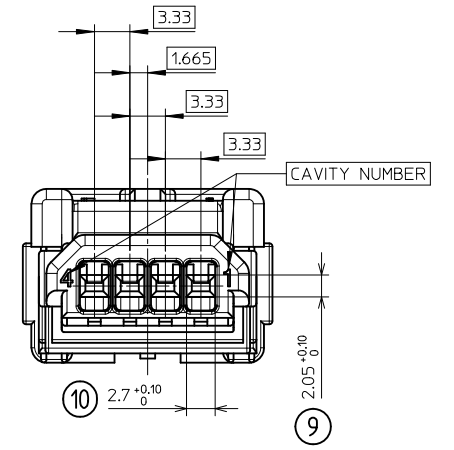
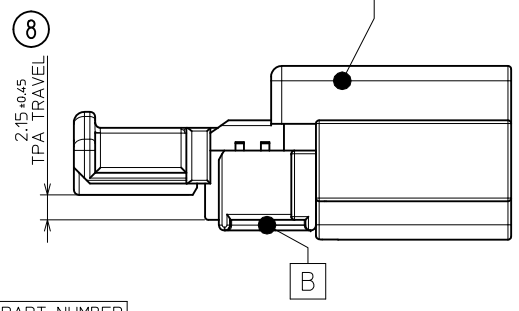
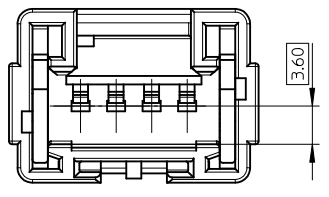
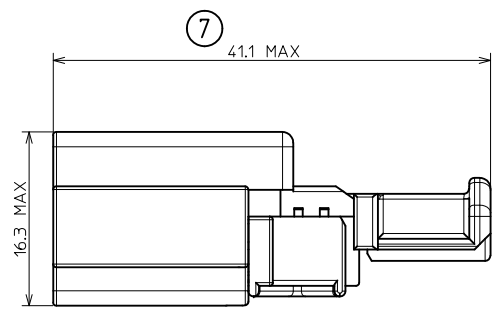
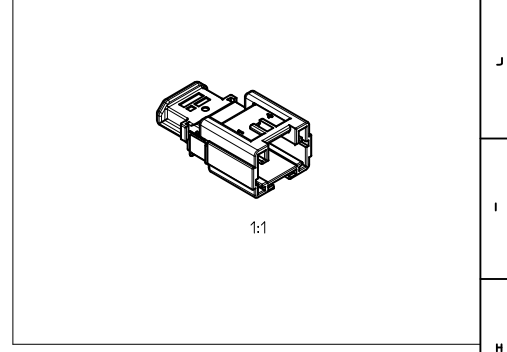
AREA REQUIRED WHEN THE CONNECTOR IS MATED



FIRST RELEASE EC NO: G2012-0092 DRAWN: LPOUCHAUD 2009/03/02 CHKD: VLOJAS 2012/01/09 APPR: OPLESSIS 2012/01/31	QUALITY SYMBOLS 	GENERAL TOLERANCES (UNLESS SPECIFIED)		DIMENSION STYLE MM ONLY	SCALE 3:1	DESIGN UNITS METRIC	FIRST ANGLE PROJECTION	
		4 PLACES ± --- ± ---	mm INCH	DRAWN BY LPOUCHAUD	DATE 2009/03/02	TITLE NSCC PIN CONN 1.5 4KT		
		3 PLACES ± --- ± ---		CHECKED BY YIGEL	DATE 2009/03/02	MOLEX INCORPORATED		
		2 PLACES ± --- ± ---		APPROVED BY OPLESSIS	DATE 2012/01/31	MATERIAL NO. SEE SHEET 2	DOCUMENT NO. SD-98822-005	SHEET NO. 1 OF 2
1 PLACE ± 0.1 ± ---		ANGULAR ± 1 °		THIS DRAWING CONTAINS INFORMATION THAT IS PROPRIETARY TO MOLEX INCORPORATED AND SHOULD NOT BE USED WITHOUT WRITTEN PERMISSION				
DRAFT WHERE APPLICABLE MUST REMAIN WITHIN DIMENSIONS								



0988221045	GREEN
0988221041	BLACK
0988221040	WHITE
PART NUMBER ASSEMBLY PART	COLOR



BLACK CODING (P/N 0988221041) IS SHOWN.

B	SCC Pin Conn 1.5x0.8 TPA 4Ckt	0988220144	Yellow	POLYAMIDE >PA66-GF20<	5.370	
A	SCC Pin Conn Unsealed 1.5x0.8 4Ckt	0988220045	Green	POLYESTER >PBT<		
		0988220041	Black			
		0988220040	White			
Item	Description	Part-number	Color	Raw Material	Weight effective (g)	
FIRST RELEASE EC NO: G2012-0092 DRAWN: LPOUCHAUD 2009/03/02 CHKD: VJOUAS 2012/01/31 APPR: OPLESSIS 2012/01/31	QUALITY SYMBOLS ▽=0 ▽=0 ▽=0	GENERAL TOLERANCES (UNLESS SPECIFIED)	DIMENSION STYLE MM ONLY	SCALE 3:1	DESIGN UNITS METRIC	FIRST ANGLE PROJECTION
		mm INCH	DRAWN BY LPOUCHAUD	DATE 2009/03/02	TITLE NSSC PIN CONN 1.5 4CKT	
		4 PLACES ± --- + ---	CHECKED BY YIGEL	DATE 2009/03/02	MOLEX INCORPORATED	
		3 PLACES ± --- ± ---	APPROVED BY OPLESSIS	DATE 2012/01/31	SD-98822-005	
		2 PLACES ± --- ± ---	MATERIAL NO.	DOCUMENT NO.	SHEET NO. 2 OF 2	
		1 PLACE ± 0.1 ± ---	SEE CHART		THIS DRAWING CONTAINS INFORMATION THAT IS PROPRIETARY TO MOLEX INCORPORATED AND SHOULD NOT BE USED WITHOUT WRITTEN PERMISSION	
		ANGULAR ± 1 °				
		DRAFT WHERE APPLICABLE MUST REMAIN WITHIN DIMENSIONS				