



产品编号 : 988241021

系列号 : 98824

Product Category : Connector Housings

Product Description : NSCC Pin Connector, Unsealed, 2.8mm, 5.00mm Pitch, 2 Circuits, Black

状态 : Active

工程编号 : 08211EV2F1

---

## 文件和资源

### 图纸

图纸 988241021\_sd.pdf

包装设计图 PK-98824-001-001.pdf

### 3D 模型和设计文件

3D模型 988241021\_stp.zip

### 规格

应用规格 988210001-AS-CH-001.pdf


应用规格 988210001-PS-CH-001.pdf

产品规格 PS-98821-001-001.pdf

---

## 产物环境合规

### 合规

GADSL/IMDS	Compliant
China RoHS	
EU ELV	Compliant per 2000/53/EC
Low-Halogen Status	Low-Halogen per IEC 61249-2-21
REACH SVHC	Not Contained per D(2023)8585-DC (23 Jan 2024)
EU RoHS	Compliant per EU 2015/863

### 多部分产品合规性声明

- Eu RoHS
- REACH SVHC
- Low-Halogen
  
- IPC 1752A Class C
- IPC 1752A Class D
- Molex Product Compliance Declaration

- IEC-62474

- chemSHERPA (xml)

欧盟 RoHS 合格证书

---

## 产品详情

### 常规

状态	活动
类别	Connector Housings
系列	98824
说明	NSCC Pin Connector, Unsealed, 2.8mm, 5.00mm Pitch, 2 Circuits, Black
应用	Power, Wire-to-Wire
产品系列	NSCC - New Standard Casing Contact
产品名称	NSCC
UPC	822348722846

### 物理

电路详图	2x2.80mm pins
电路数 (最多)	2
颜色-树脂	黑色
性别	Plug
符合灼热丝规范	否
插接极性	是
锁定插接部位	是
材料 - 树脂	Polyester
净重	4.710/g
行数	1
包装形式	Carton
面板安装式	否
间距 - 插配接口	5.00mm
有极性的插配件	是
端口	1
可堆叠的	否
运行温度范围	-40° to +85° C

## 进程

无铅	不适用
----	-----

---

## 可配插/可连接使用的产品

### 可配插部件

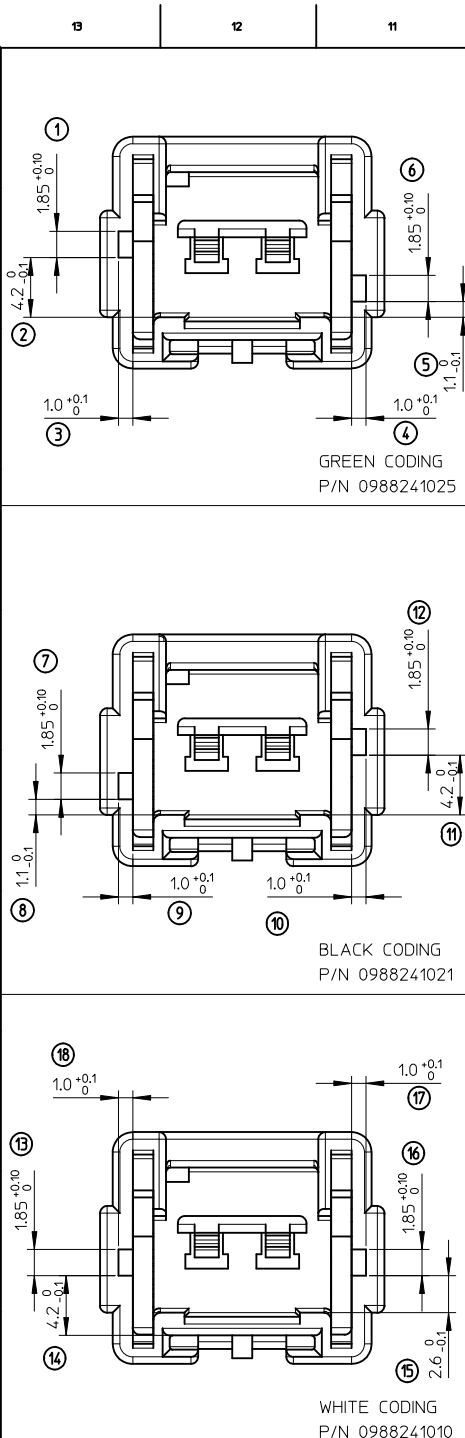
描述	产品编号
NSCC Unsealed Pin Connectors	<u>98824</u>

---

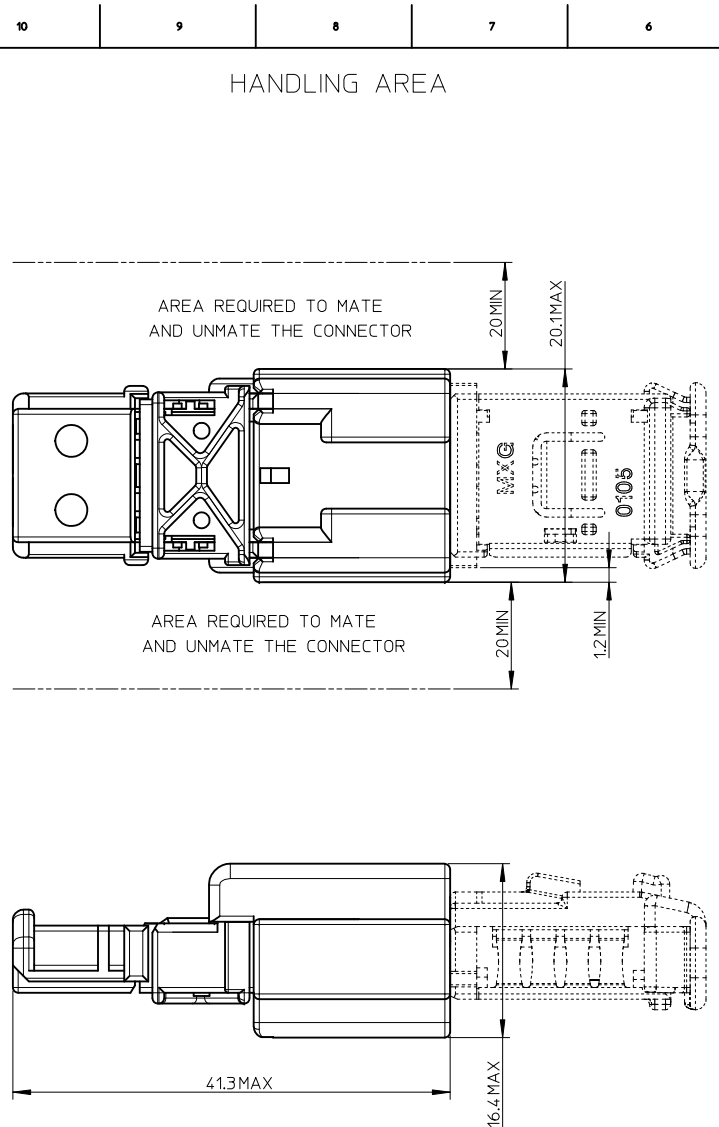
## 施工工具

### 全局

描述	产品编号
Extractor Tool for Unsealed Receptacle Connectors	<u>638133800</u>

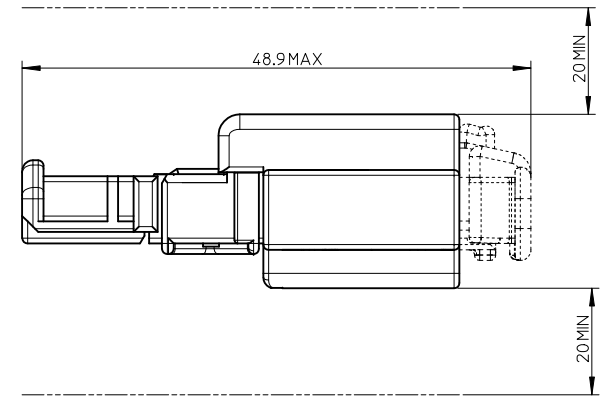


CODING 4:1

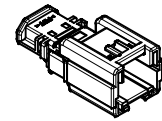
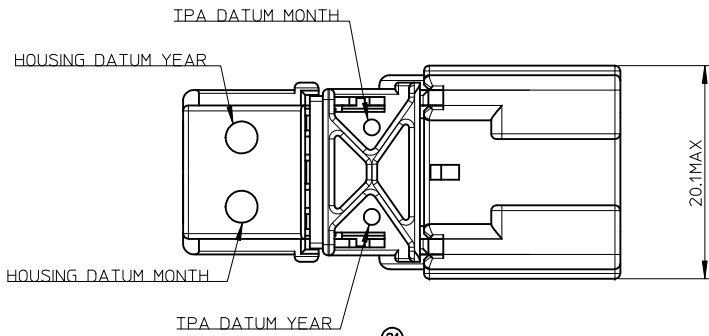


- NOTE : 1 - The using conditions of the hinge are showed in the MOLEX specification n°AS-98821-001.
- 2 - Male terminal used : SICMA3 2.8mm
- 3 - Female connector will mate with male connector P/N 09881910xx

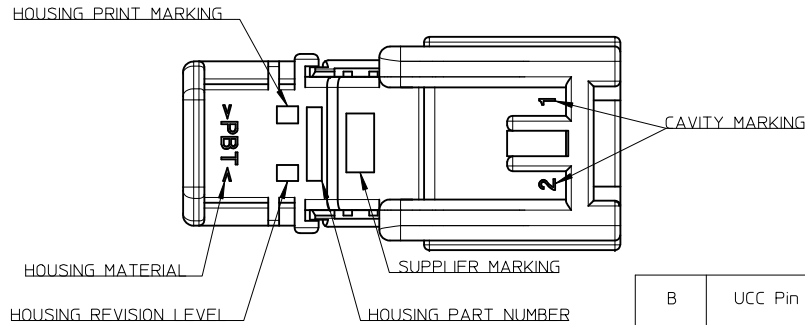
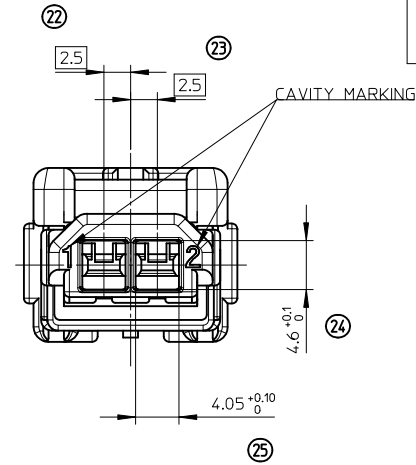
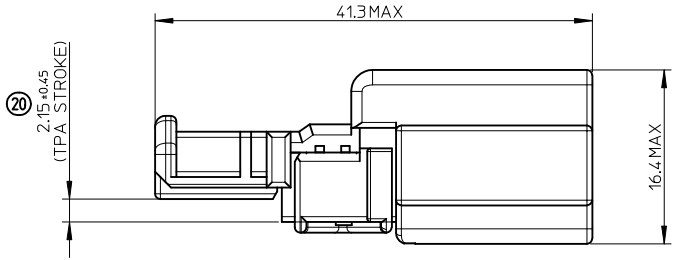
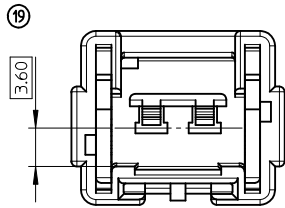
AREA REQUIRED WHEN THE CONNECTOR IS MATED



<b>FIRST RELEASE</b> EC NO: G2010-0051 DRWNL:POUCHAUD 2009/03/04 CHKCD:JOUCLIOS 2010/07/07 APPR:OPLESSIS 2010/09/02	<b>QUALITY SYMBOLS</b> 	<b>GENERAL TOLERANCES (UNLESS SPECIFIED)</b>		<b>DIMENSION STYLE</b> MM ONLY	<b>SCALE</b> 3:1	<b>DESIGN UNITS</b> METRIC	<b>THIRD ANGLE PROJECTION</b>	
		4 PLACES ± --- ± ---	mm INCH	DRAWN BY VLOUVANCOUR	DATE 2008/12/02	<b>TITLE</b> UCC PIN CONN UNSEALED W/ 2CKT		
		3 PLACES ± --- ± ---		CHECKED BY YIGEL	DATE 2008/12/03	<b>MOLEX INCORPORATED</b>		
		2 PLACES ± 0.05 ± ---		APPROVED BY JOUCLIOS	DATE 2008/12/04	MATERIAL NO. SD-98824-002	DOCUMENT NO.	SHEET NO. 1 OF 2
1 PLACE ± 0.1 ± ---		ANGULAR ± 1 °		<b>SEE CHART</b>			THIS DRAWING CONTAINS INFORMATION THAT IS PROPRIETARY TO MOLEX INCORPORATED AND SHOULD NOT BE USED WITHOUT WRITTEN PERMISSION	
DRAFT WHERE APPLICABLE MUST REMAIN WITHIN DIMENSIONS								



1:1



BLACK CODING (P/N 0988241021) IS SHOWN.

B	UCC Pin Conn Blue TPA 2Ckt	0988240026	Blue	POLYAMIDE (PA 6.6 20%FG)	0.577 g															
A	UCC Pin Conn 2.8 2Ckt	0988240025	Green	POLYESTER (PBT)	4.627 g															
		0988240021	Black																	
		0988240010	White																	
Idem	Description	Part-Number	Color	Raw Material	Weight effective															
<b>FIRST RELEASE</b> EC NO: G2010-0051 DRAWN: POUCHAUD 2009/03/04 CHKD: JUCLOS 2010/07/07 APPR: OPLESSIS 2010/09/02		<b>QUALITY SYMBOLS</b> ▽=0 ▽=0		<b>GENERAL TOLERANCES (UNLESS SPECIFIED)</b> <table border="1"> <tr> <td></td> <td>mm</td> <td>INCH</td> </tr> <tr> <td>4 PLACES</td> <td>± ---</td> <td>± ---</td> </tr> <tr> <td>3 PLACES</td> <td>± ---</td> <td>± ---</td> </tr> <tr> <td>2 PLACES</td> <td>± 0.05</td> <td>± ---</td> </tr> <tr> <td>1 PLACE</td> <td>± 0.1</td> <td>± ---</td> </tr> </table> ANGULAR ± 1 ° DRAFT WHERE APPLICABLE MUST REMAIN WITHIN DIMENSIONS			mm	INCH	4 PLACES	± ---	± ---	3 PLACES	± ---	± ---	2 PLACES	± 0.05	± ---	1 PLACE	± 0.1	± ---
	mm	INCH																		
4 PLACES	± ---	± ---																		
3 PLACES	± ---	± ---																		
2 PLACES	± 0.05	± ---																		
1 PLACE	± 0.1	± ---																		
		<b>DIMENSION STYLE</b> MM ONLY		SCALE 4:1	DESIGN UNITS METRIC															
		DRAWN BY VLOUVANCOUR		DATE 2008/12/02																
		CHECKED BY YIGEL		DATE 2008/12/03																
		APPROVED BY JUCLOS		DATE 2008/12/04																
		MATERIAL NO. <b>SEE CHART</b>		DOCUMENT NO. <b>SD-98824-002</b>																
		SIZE A 2		THIS DRAWING CONTAINS INFORMATION THAT IS PROPRIETARY TO MOLEX INCORPORATED AND SHOULD NOT BE USED WITHOUT WRITTEN PERMISSION																
				TITLE <b>UCC PIN CONN UNSEALED W/ 2CKT</b>																
				MOLEX INCORPORATED																
				SHEET NO. 2 OF 2																