



产品编号 : [988971119](#)

Product Description : NSCC Receptacle  
Terminal Size 1.5, Wire Size 0.49 up to 0.94mm<sup>2</sup>

系列号 : 98897

状态 : Active

Product Category : Crimp Terminals

工程编号 : 2120819CA201H



## 文件和资源

### 图纸

[图纸 988971119\\_sd.pdf](#)

### 3D 模型和设计文件

[3D模型 988971119\\_stp.zip](#)

### 规格

[应用规格 988210001-AS-CH-001.pdf](#)

[应用规格 988210001-PS-CH-001.pdf](#)

[应用规格 988970001-AS-CH-001.pdf](#)

[应用规格 AS-98897-001-001.pdf](#)

[包装规格 PK-98897-001-001.pdf](#)

[产品规格 PS-98821-001-001.pdf](#)

## 产物环境合规

### 合规

|                    |                                                   |
|--------------------|---------------------------------------------------|
| GADSL/IMDS         | Duty-To-Declare                                   |
| China RoHS         |                                                   |
| EU ELV             | Compliant per 2000/53/EC                          |
| Low-Halogen Status | Low-Halogen per IEC 61249-2-21                    |
| REACH SVHC         | Not Contained per D(2023)3788-DC<br>(14 Jun 2023) |
| EU RoHS            | Compliant per EU 2015/863                         |

[多部分产品合规性声明](#)

- Eu RoHS
- REACH SVHC
- Low-Halogen

多部分行业合规性文件

- IPC 1752A Class C
- IPC 1752A Class D
- Molex Product Compliance Declaration
- IEC-62474
- chemSHERPA (xml)

欧盟 RoHS 合格证书

## 产品详情

### 常规

|      |                                                                             |
|------|-----------------------------------------------------------------------------|
| 状态   | 活动                                                                          |
| 类别   | Crimp Terminals                                                             |
| 系列   | 98897                                                                       |
| 说明   | NSCC Receptacle Terminal Size 1.5, Wire Size 0.49 up to 0.94mm <sup>2</sup> |
| 应用   | Power, Signal, Wire-to-Wire                                                 |
| 产品系列 | NSCC – New Standard Casing Contact                                          |
| 产品名称 | NSCC                                                                        |
| UPC  | 822348749300                                                                |

### 物理

|                     |                          |
|---------------------|--------------------------|
| 性别                  | 女                        |
| 材料 – 金属             | High Conductivity Copper |
| 材料 – 接合部位电镀         | Tin                      |
| 净重                  | 0.378/g                  |
| 包装形式                | Reel                     |
| 导线绝缘直径              | 不适用                      |
| 线径规格 (AWG)          | 不适用                      |
| 线缆尺寸mm <sup>2</sup> | 0.49-0.94                |

### 进程

|    |     |
|----|-----|
| 无铅 | 不适用 |
|----|-----|

---

## 可连接使用部件

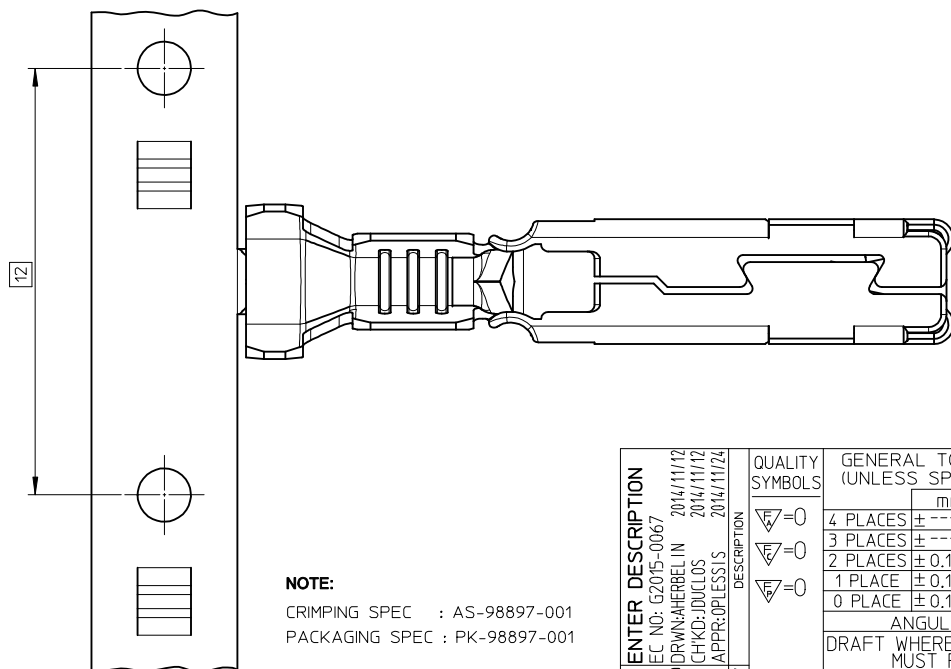
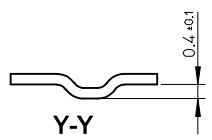
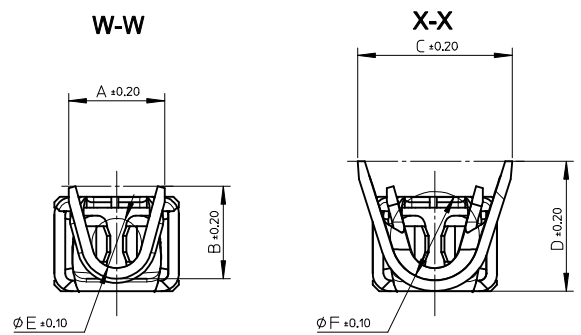
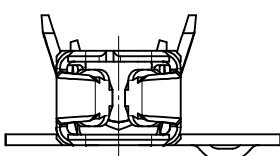
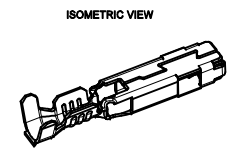
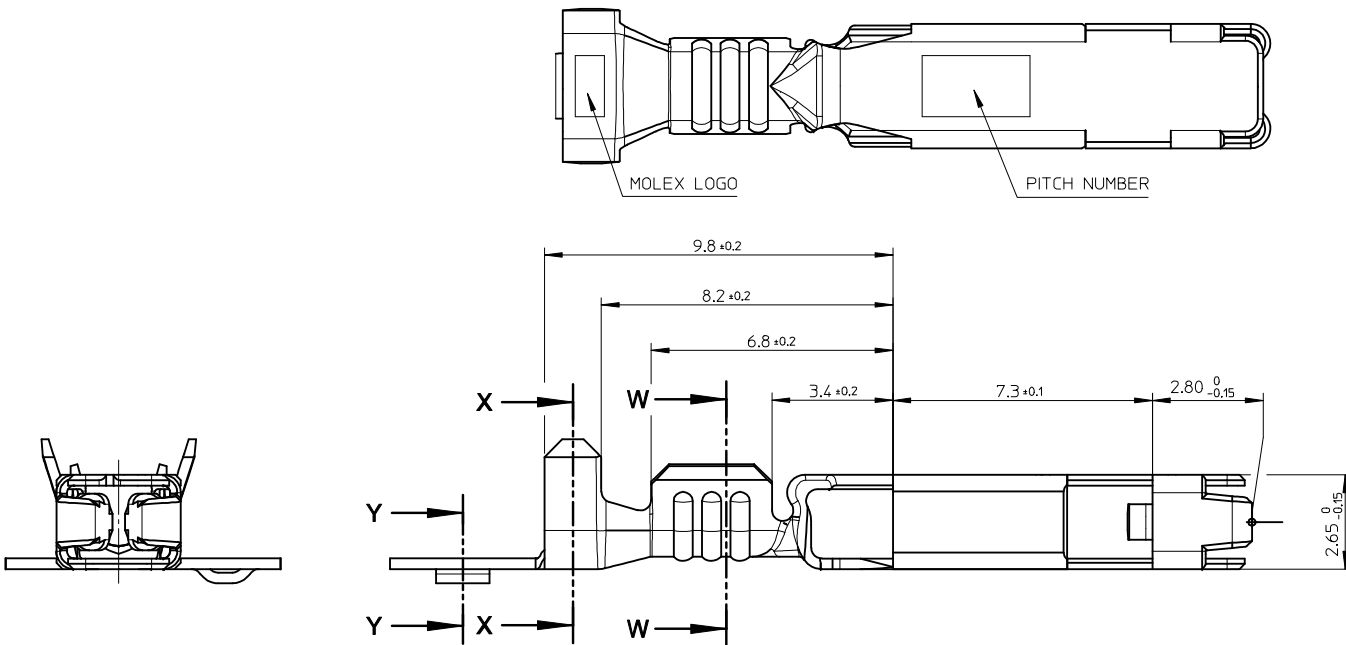
| 描述                                                       | 产品编号         |
|----------------------------------------------------------|--------------|
| 3.33mm / 6.00mm Pitch Hybrid Inline Female Housings      | <u>98273</u> |
| NSCC Dual Row Unsealed Female Housings                   | <u>98816</u> |
| NSCC Single Part Unsealed Female Housings                | <u>98817</u> |
| NSCC Single Part, Unsealed, Hybrid Receptacle Connectors | <u>98821</u> |

---

## 施工工具

### 全局

| 描述                                                                                      | 产品编号              |
|-----------------------------------------------------------------------------------------|-------------------|
| Extractor Tool for NSCC 1.50mm Receptacle Terminals                                     | <u>0638134800</u> |
| TPA Removal Tool                                                                        | <u>0638135000</u> |
| Extraction Tool for NSCC 1.50mm Receptacle Terminals                                    | <u>0638135100</u> |
| Extractor Tool for MOX 0.635mm Receptacle Crimp Terminals                               | <u>0638139500</u> |
| Hand Crimp Tool for NSCC 1.5 Receptacle Terminals                                       | <u>0638198700</u> |
| Extractor Tool for Unlocking Secondary Locking Key (TPA) from NSCC Receptacle Connector | <u>0638246800</u> |
| FineAdjust Applicator for NSCC 1.5 Receptacle Terminals 0.50-1.00mm <sup>2</sup> Metric | <u>0639013900</u> |



**NOTE:**  
 CRIMPING SPEC : AS-98897-001  
 PACKAGING SPEC : PK-98897-001

| SPECIFICATIONS           |                          |                          |                          |
|--------------------------|--------------------------|--------------------------|--------------------------|
| GRIP CODE                | S                        | M                        | L                        |
| CRIMPING RANGE (MM2)     | 0.35                     | 0.50 to 1.00             | 1.50 to 2.00             |
| MOLEX PART NUMBER (P/N*) | 0988971109               | 0988971119               | 0988971129               |
| PLATING                  | Pre-plated<br>2µ Sn min. | Pre-plated<br>2µ Sn min. | Pre-plated<br>2µ Sn min. |
| MATERIAL                 | HIGH COPPER              |                          |                          |
| PART WEIGHT (g)          | 0.3582                   | 0.3778                   | 0.3955                   |
| THICKNESS                | 0.30                     |                          |                          |
| A                        | 2.40                     | 2.70                     | 3.10                     |
| B                        | 1.90                     | 2.60                     | 3.50                     |
| ØE                       | 1.20                     | 1.40                     | 1.60                     |
| C                        | 4.20                     | 4.35                     | 4.70                     |
| D                        | 3.30                     | 3.65                     | 4.20                     |
| ØF                       | 2.40                     | 2.50                     | 2.70                     |

|                                                                                                                                      |                                             |                                                                                                                       |         |                                             |                                         |                               |                        |
|--------------------------------------------------------------------------------------------------------------------------------------|---------------------------------------------|-----------------------------------------------------------------------------------------------------------------------|---------|---------------------------------------------|-----------------------------------------|-------------------------------|------------------------|
| <b>ENTER DESCRIPTION</b><br>EC NO: G2015-0067<br>DRAWN: HERBELIN 2014/11/12<br>CHKD: DJUCLOS 2014/11/12<br>APPR: OPLESSIS 2014/11/24 | <b>QUALITY SYMBOLS</b><br>∇=0<br>∇=0<br>∇=0 | <b>GENERAL TOLERANCES (UNLESS SPECIFIED)</b>                                                                          |         | <b>DIMENSION STYLE</b><br>MM ONLY           | <b>SCALE</b><br>10:1                    | <b>DESIGN UNITS</b><br>METRIC | FIRST ANGLE PROJECTION |
|                                                                                                                                      |                                             | 4 PLACES ± --- ± ---<br>3 PLACES ± --- ± ---<br>2 PLACES ± 0.10 ± ---<br>1 PLACE ± 0.10 ± ---<br>0 PLACE ± 0.10 ± --- | mm INCH | DRAWN BY DATE<br>G. DESBRUERES 2009/11/03   | TITLE<br>NSCC 1.5 WIRE TERMINAL         |                               |                        |
|                                                                                                                                      |                                             | ANGULAR ± 2 °<br>DRAFT WHERE APPLICABLE MUST REMAIN WITHIN DIMENSIONS                                                 |         | CHECKED BY DATE<br>D. DOS SANTOS 2009/11/03 | APPROVED BY DATE<br>OPLESSIS 2010/10/26 |                               |                        |
|                                                                                                                                      |                                             | MATERIAL NO.                                                                                                          |         | DOCUMENT NO.                                | SHEET NO.                               |                               |                        |



**SEE CHART** SD-98897-050

THIS DRAWING CONTAINS INFORMATION THAT IS PROPRIETARY TO MOLEX INCORPORATED AND SHOULD NOT BE USED WITHOUT WRITTEN PERMISSION