



产品编号 : [988981039](#)

Product Description : 5.00mm Pitch UCC2 Receptacle Terminal, 0.93mm<sup>2</sup>; to 2.50mm<sup>2</sup>; (AWG 14-18), Reel, Pre Tin Plated

系列号 : 98898

状态 : Active

Product Category : Crimp Terminals

工程编号 : 2120519CA201H



## 文件和资源

### 图纸

[图纸 988981039\\_sd.pdf](#)

[包装设计图 PK-98898-002-001.pdf](#)

### 3D 模型和设计文件

[3D模型 988981039\\_stp.zip](#)

### 规格

[应用规格 988210001-AS-CH-001.pdf](#)

[应用规格 988210001-PS-CH-001.pdf](#)


[应用规格 AS-98898-001-001.pdf](#)

[应用规格 AS-98906-001-001.pdf](#)

[产品规格 PS-98821-001-001.pdf](#)

## 产物环境合规

### 合规

|                    |   |
|--------------------|---|
| GADSL/IMDS         | Not Relevant  |
| China RoHS         |  |
| EU ELV             | Compliant per 2000/53/EC  |
| Low-Halogen Status | Low-Halogen per IEC 61249-2-21  |
| REACH SVHC         | Not Contained per D(2023)3788-DC (14 Jun 2023)  |
| EU RoHS            | Compliant per EU 2015/863   |

[多部分产品合规性声明](#)

- Eu RoHS
- REACH SVHC
- Low-Halogen

多部分行业合规性文件

- IPC 1752A Class C
- IPC 1752A Class D
- Molex Product Compliance Declaration
- IEC-62474
- chemSHERPA (xml)

欧盟 RoHS 合格证书

## 产品详情

### 常规

|      |   |
|------|---|
| 状态   | 活动  |
| 类别   | Crimp Terminals   |
| 系列   | 98898   |
| 说明   | 5.00mm Pitch UCC2 Receptacle Terminal, 0.93mm <sup>2</sup> ; to 2.50mm <sup>2</sup> ; (AWG 14-18), Reel, Pre Tin Plated |
| 应用   | Power, Wire-to-Wire   |
| 产品系列 | NSCC - New Standard Casing Contact  |
| 产品名称 | NSCC  |
| UPC  | 822348815685  |

### 物理

|             |                      |
|-------------|----------------------|
| 性别          | 女                    |
| 材料 - 金属     | High Copper Alloy    |
| 材料 - 接合部位电镀 | Tin                  |
| 材料 - 终端电镀   | Tin                  |
| 净重          | 0.794/g              |
| 包装形式        | Reel                 |
| 最薄镀层 - 接合部位 | 1.016µm              |
| 最薄镀层 - 端接   | 1.016µm              |
| 终端界面类型      | Crimp or Compression |
| 导线绝缘直径      | 0.93-2.50mm          |

|                     |            |
|---------------------|------------|
| 线径规格 (AWG)          | 14, 16, 18 |
| 线缆尺寸mm <sup>2</sup> | 0.93-2.50  |

## 进程

|    |     |
|----|-----|
| 无铅 | 不适用 |
|----|-----|

---

## 可连接使用部件

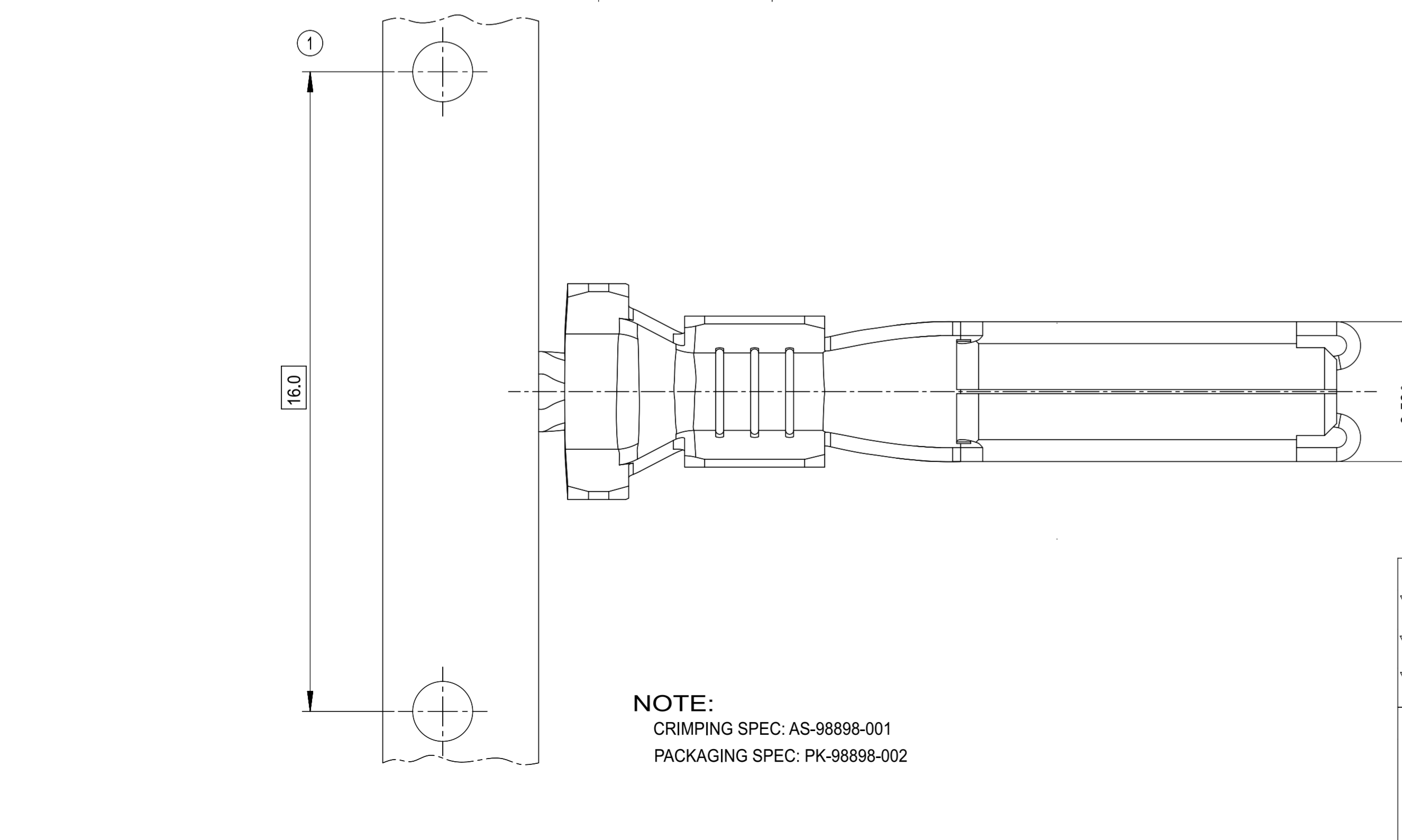
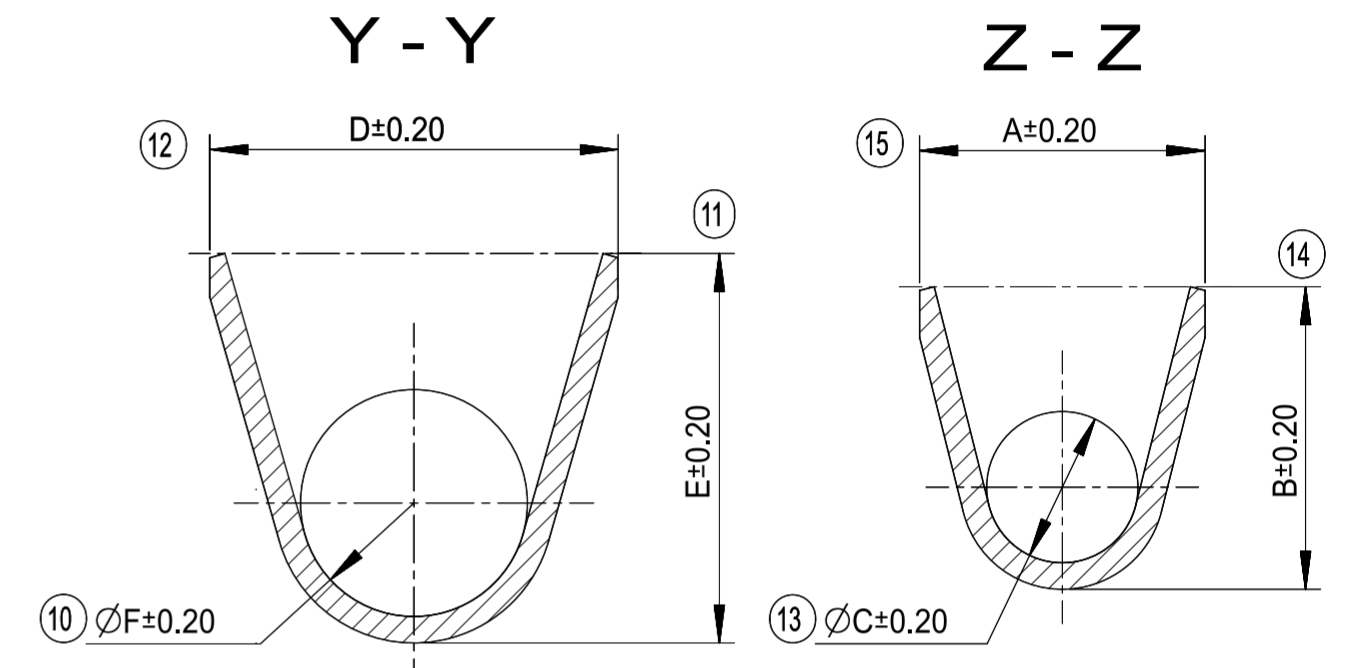
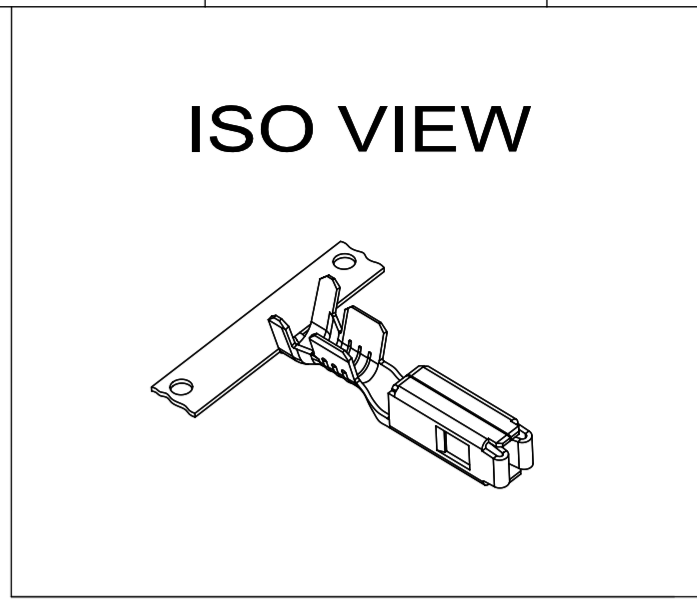
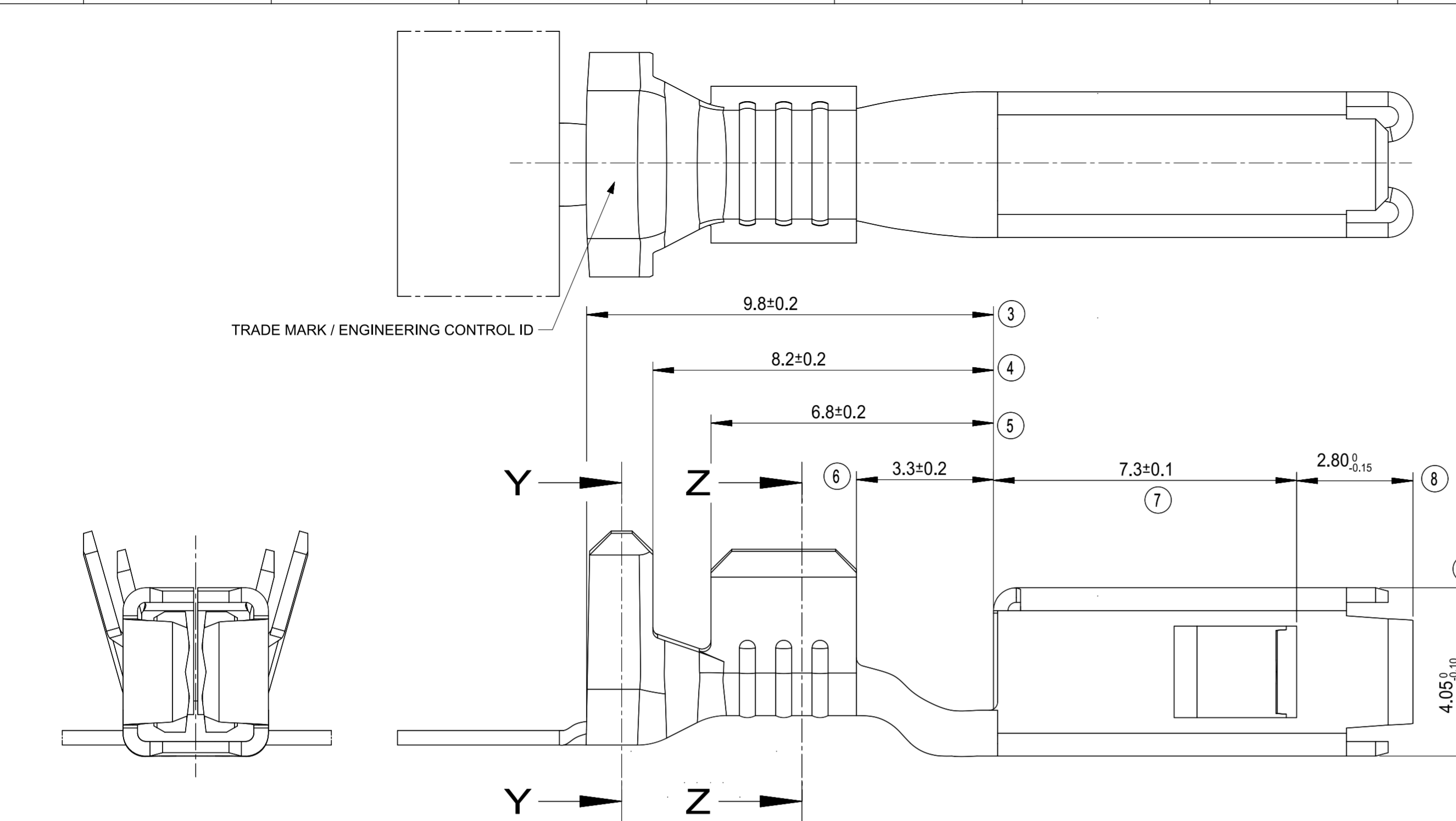
| 描述   | 产品编号         |
|--|--------------|
| 3.33mm / 6.00mm Pitch Hybrid Inline Female Housings      | <u>98273</u> |
| NSCC Single Part Unsealed Receptacle Connectors          | <u>98819</u> |
| NSCC Single Part, Unsealed, Hybrid Receptacle Connectors | <u>98821</u> |

---

## 施工工具

### 全局

| 描述   | 产品编号              |
|--|-------------------|
| Hand Crimp Tool for 2.80mm Pitch UCC2 Receptacle Terminal. | <u>0638230500</u> |
| Hand Crimp Tool for 2.80mm Pitch UCC2 Receptacle Terminal  | <u>0638231500</u> |
| FineAdjust Applicator for 2.8 UCC2 Receptacle Terminal     | <u>0639015800</u> |



**NOTE:**  
 CRIMPING SPEC: AS-98898-001  
 PACKAGING SPEC: PK-98898-002

| SPECIFICATIONS           |                          |            |            |
|--------------------------|--------------------------|------------|------------|
| GRIP CODE                | S                        | M          | L          |
| SECTION MM2              | 0.35 TO 0.75             | 1 TO 2.5   | 3 TO 5     |
| MOLEX PART NUMBER (P/N*) | 0988981029               | 0988981039 | 0988981049 |
| PLATING                  | Pre-plated<br>2µ Sn min. |            |            |
| MATERIAL                 | HIGH COPPER              |            |            |
| PART WEIGHT (g)          | 0,737                    | 0,794      | 0,814      |
| THICKNESS                | 0.35                     |            |            |
| A                        | 2.55                     | 3.80       | 4.70       |
| B                        | 2.60                     | 4.00       | 4.95       |
| ØC                       | 1.20                     | 2.00       | 2.00       |
| D                        | 3.85                     | 5.40       | 6.35       |
| E                        | 4.00                     | 5.15       | 6.60       |
| ØF                       | 2.30                     | 3.00       | 3.30       |

|   |   |  |  |   |
|---|---|--|--|---|
| <b>FUNCTIONAL SYMBOLS</b><br>$\nabla_A = 0$<br>$\nabla_C = 0$<br>$\nabla_P = 0$ | THIS DRAWING CONTAINS INFORMATION THAT IS PROPRIETARY TO MOLEX ELECTRONIC TECHNOLOGIES, LLC AND SHOULD NOT BE USED WITHOUT WRITTEN PERMISSION |  |  |   |
|   | DIMENSION UNITS: <b>mm</b><br>SCALE: <b>1:1</b>   | CURRENT REV DESC: Updated Trade Mark / Engineering control ID location. Updated latest drawing template. |  |   |
| <b>DIVISIONAL SYMBOLS</b>   | GENERAL TOLERANCES (UNLESS SPECIFIED)<br>ANGULAR TOL ± 2.0°   | 4 PLACES ±<br>3 PLACES ±<br>2 PLACES ± 0.100<br>1 PLACE ± 0.10<br>0 PLACES ±                             | 2022-10-03<br>2022-10-04<br>2022-10-04 | PRODUCT SALES DRAWING   |
| DRAFT WHERE APPLICABLE MUST REMAIN WITHIN DIMENSIONS                            | FIRST ANGLE PROJECTION  | DRAWING: <b>A2-SIZE</b>  | SERIES: <b>98898</b>                   | DOCUMENT NUMBER: <b>SD-98898-100</b><br>DOC TYPE: <b>PSD</b><br>DOC PART: <b>001</b><br>REVISION: <b>A1</b> |
|   |   | MATERIAL NUMBER: <b>SEE CHART</b>  | CUSTOMER: <b>GENERAL MARKET</b>        | SHEET NUMBER: <b>1 OF 1</b>   |