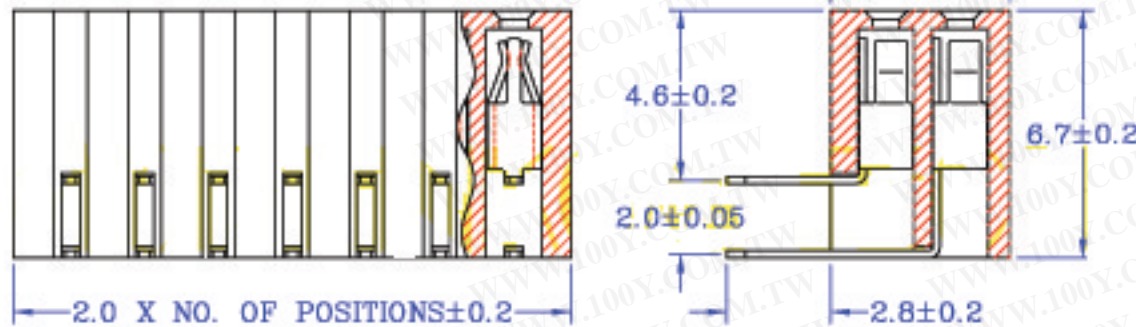
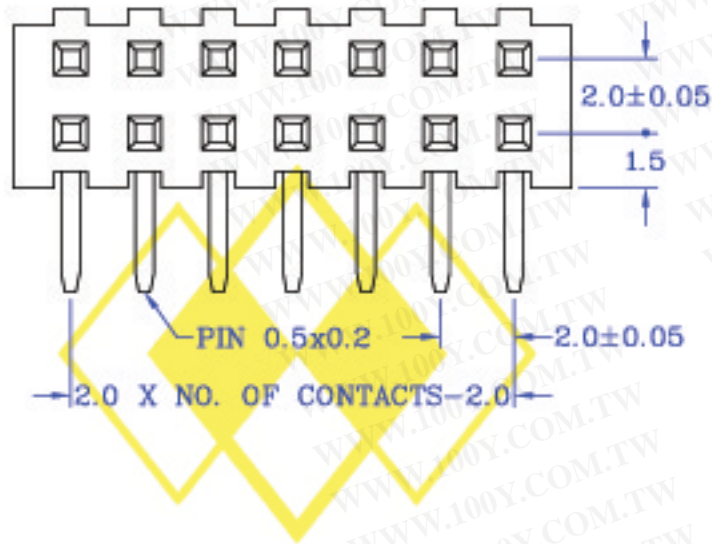


勝特力材料 886-3-5753170  
 勝特力电子(上海) 86-21-34970699  
 勝特力电子(深圳) 86-755-83298787  
[Http://www.100y.com.tw](http://www.100y.com.tw)



### SPECIFICATIONS

#### ELECTRICAL

- Contact Contact Rating : 1 Ampere
- Contact Resistance : 20mΩ Max
- Insulator Resistance : 1,000M Ω
- Dielectric Withstanding Voltage: 50V AC @ 60Seconds

#### MATERIAL

- Insulator : Nylon6
- Contact : Brass
- Contact Plated : Gold Plated, Tin Plated, Selective Plated
- Operation Temperature : - 40 to + 105

UNIT: mm

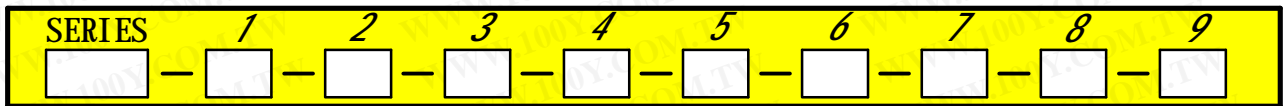
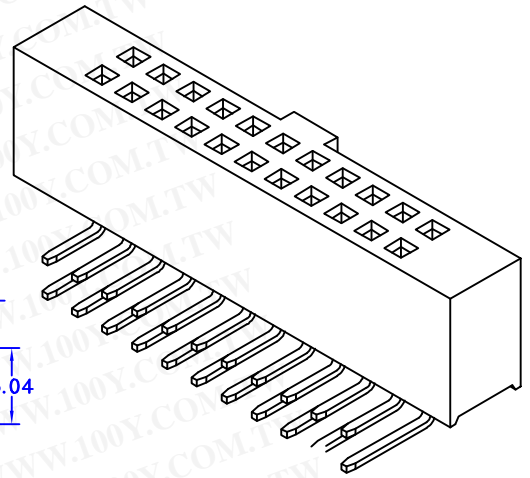
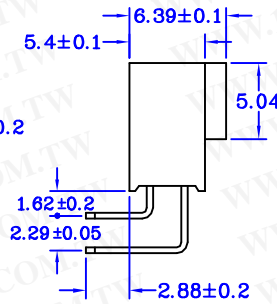
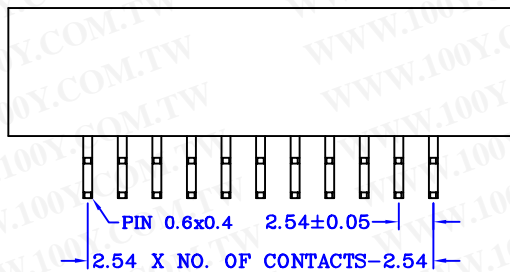
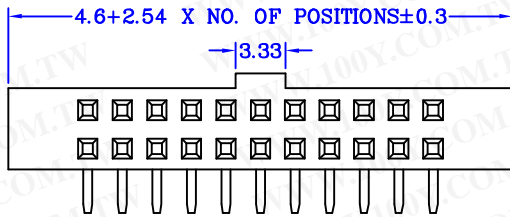
繪圖 DRAWN BY  
 FUFU  
 核對 CHECKED BY  
 WENDY

日期 DATE  
 2009/01/22  
 比例 SCALE  
 1:1

HPFR2XXGB1

圖號 885-XX  
 DRAWING NO.

# ORDERING INFORMATION



## Series

- HEF : Pitch 2.0mm Female Header General Contacts
- HPF : Pitch 2.0mm Female Header Touch Three Sides
- SHPF : Pitch 2.0mm Female Header Touch Three Sides SMT Type
- EF : Pitch 2.54mm Female Header General Contacts
- PF : Pitch 2.54mm Female Header Touch Three Sides
- SEF : Pitch 2.54mm Female Header General Contacts SMT Type
- SPF : Pitch 2.54mm Female Header Touch Three Sides SMT Type

## 1. Terminal Type

- S : Straight Termination
- R : Right Angle Termination

## 2. Row Type

- 1 : Single Row
- 2 : Dual Rows

## 3. Number of Contacts

- Single Row 02 ~ 40 Contacts
- Dual Rows 2 x 2 ~ 2 x 40 Contacts

## 4. Plating Option

- G : Gold Plated ( Standard )
- T : Tin Plated
- S : Selective Plated

## 5. Products Logo

- A : With OEM Mark
- B : Without Mark ( Standard )

## 6. Insulator Color

- 1 : Black ( Standard )

## 7. Plastic Height

- Blank : ( Standard )
- 01-99 : Customers Special Size available

## 8. Pin Length

- Blank : ( Standard )
- L01-L99 : Customers Length available

## 9. Plastic Type

- Blank : Standard Type
- T : Wave Type
- N : With polarization bump
- N+4 : With polarization bump and Widen 4 Pin
- P : With Locating peg

**勝特力材料 886-3-5753170**  
**勝特力电子(上海) 86-21-34970699**  
**勝特力电子(深圳) 86-755-83298787**  
[Http://www.100y.com.tw](http://www.100y.com.tw)

## EXAMPLE : EFR 2 22 G B 1 N+4

Pitch 2.54mm Female Header General Contacts  
 Right Angle Termination Dual Rows 22 Pin Gold Plated  
 Without Mark Insulator Color Black  
 With polarization bump and Widen 4 Pin