

REV.	DESCRIPTION	DO.	APPD.
L	ADD "ROHS" AND LOGO winnie05/29/07'	H2164	Ray
M	CHANGE Lucy 07/27/09'	H3484	Ray
N	ADD NEW STANDARDS winnie06/01/11'	H4626	Ray

勝特力材料 886-3-5753170
 勝特力电子(上海) 86-21-34970699
 勝特力电子(深圳) 86-755-83298787
[Http://www.100y.com.tw](http://www.100y.com.tw)

NOTES:

- MATERIAL: PVC
- DENOTES IMPORTANT INSPECTION ITEM
- ▼ DENOTES INSPECTION CRITERIA LINE NO.
- ORDERING NOMENCLATURE:

A 0 1 6 - X 0 X - 0 0 X

DIM "A"

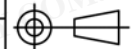
0=φ5.5	1=φ6.5
2=φ7.5	3=φ7.8
4=φ8.5	5=φ9.0
6=φ9.5	7=φ10.0
8=φ11.0	9=φ6.0

COLOR:

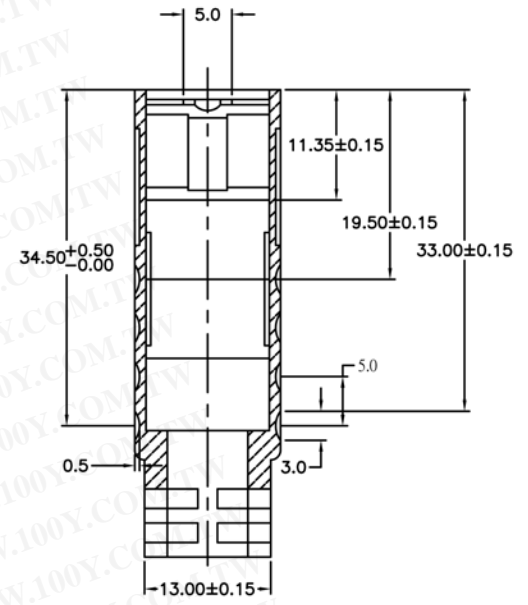
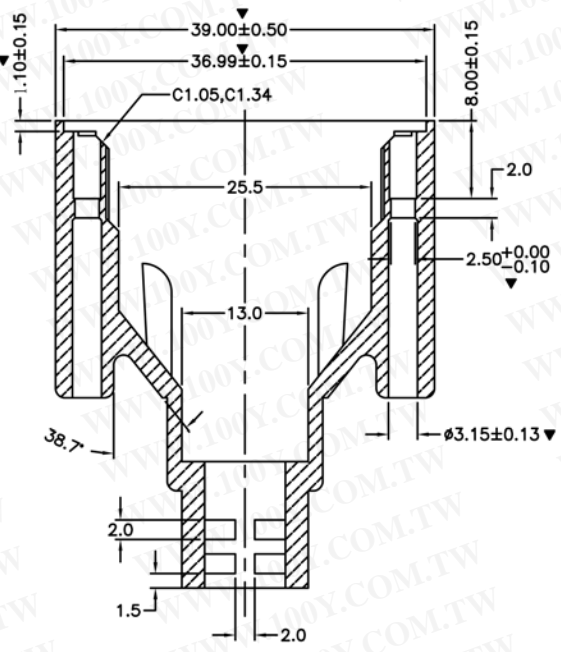
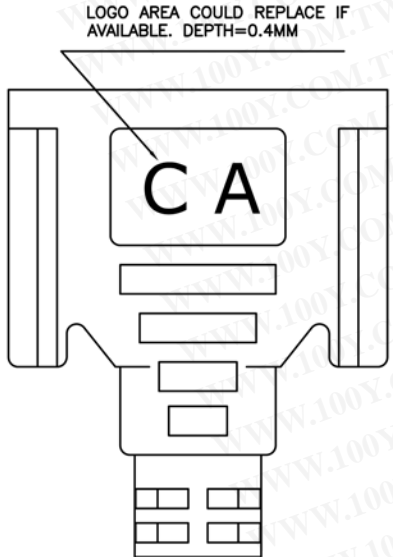
1=WHITE	2=BLACK
3=GRAY	4=BELGE

LOGO:

- NO LOGO
- BOTH SIDES HAVE ARROW LOGO
- VOLEX
- 42.57205.001 REV:A00
- BOTH SIDES HAVE CA LOGO
- ONE SIDE HAVE CA LOGO AND ANOTHER SIDES HAVE ARROW LOGO
- ONE SIDE HAVE CA LOGO
- ONE SIDE HAVE ARROW LOGO

MILLIMETERS	INCH	UNITS	MM	NAME (INTENDED USE)					
$X' \pm 2'$	$X' \pm 2'$	MAT'L		DVI					
$.X \pm 0.25$	$.X \pm .01$				PART NO. (INTENDED USE)	TITLE:			
$.XX \pm 0.13$	$.XX \pm .005$	FINISH		A016-X0X-00X	DVI PLUG CONNECTOR BOOT (ROHS)				
$.XXX \pm \text{---}$	$.XXX \pm \text{---}$				APPD: Eric Yan 09/06/04'	DWG NO.:			
THESE DRAWINGS AND SPECIFICATIONS ARE THE PROPERTY OF CIRCUIT ASSEMBLY SHEN ZHEN AND SHALL NOT BE REPRODUCED, COPIED OR USED IN ANY MANNER WITHOUT THE PRIOR WRITTEN CONSENT OF CIRCUIT ASSEMBLY SHEN ZHEN				Q'TY	H010114				
					CHKD: Eric Yan 09/06/04'		SCALE	SHEET	REV.
					DR: Joken He 09/06/04'		1/1	1/2	N

勝特力材料 886-3-5753170
 勝特力电子(上海) 86-21-34970699
 勝特力电子(深圳) 86-755-83298787
[Http://www.100y.com.tw](http://www.100y.com.tw)



MILLIMETERS	INCH	UNITS	MM	NAME (INTENDED USE)					
$X \pm 2'$	$X \pm 2'$	MAT'L		DVI					
$.X \pm 0.25$	$.X \pm .01$				PART NO. (INTENDED USE)	TITLE:			
$.XX \pm 0.13$	$.XX \pm .005$	FINISH		A016-X0X-00X	DVI PLUG CONNECTOR BOOT (ROHS)				
$.XXX \pm$	$.XXX \pm$				APPD: Eric Yan 09/06/04'	DWG NO.:			
THESE DRAWINGS AND SPECIFICATIONS ARE THE PROPERTY OF CIRCUIT ASSEMBLY SHEN ZHEN AND SHALL NOT BE REPRODUCED, COPIED OR USED IN ANY MANNER WITHOUT THE PRIOR WRITTEN CONSENT OF CIRCUIT ASSEMBLY SHEN ZHEN				Q'TY	H010114				
					CHKD: Eric Yan 09/06/04'		SCALE	SHEET	REV.
					DR: Joken He 09/06/04'		1/1	2/2	N