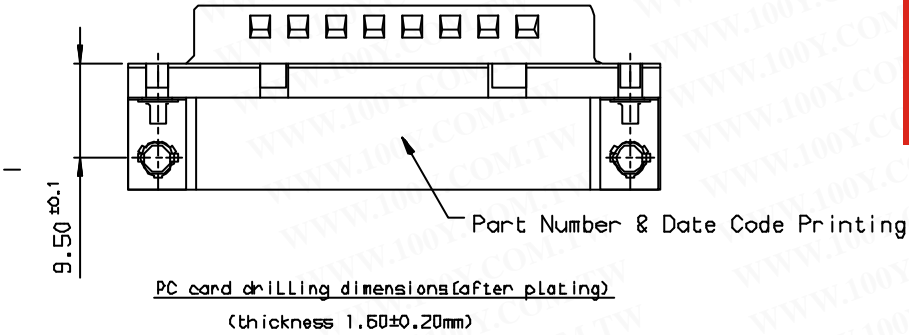
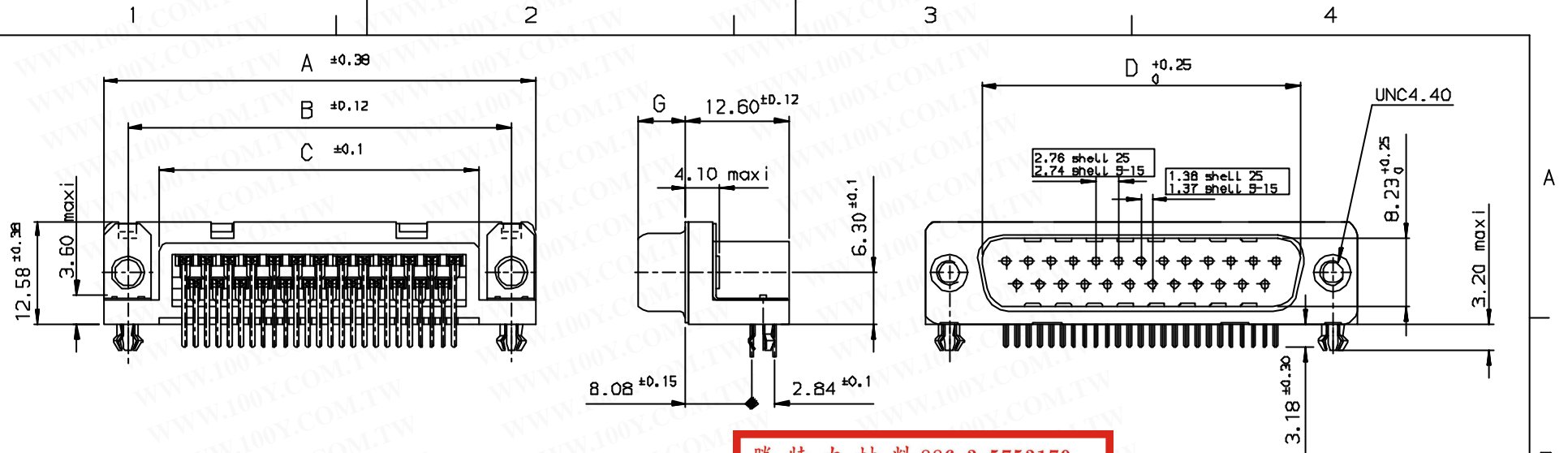


Tous droits strictement réservés. Reproduction ou communication à des tiers interdites sans autorisation écrite de la propriété de FCI. Droits de reproduction FCI.

**FCI**

All rights strictly reserved. Reproduction or communication to any third party in any form without the written authority from the proprietor. Property of FCI. Copyright FCI.

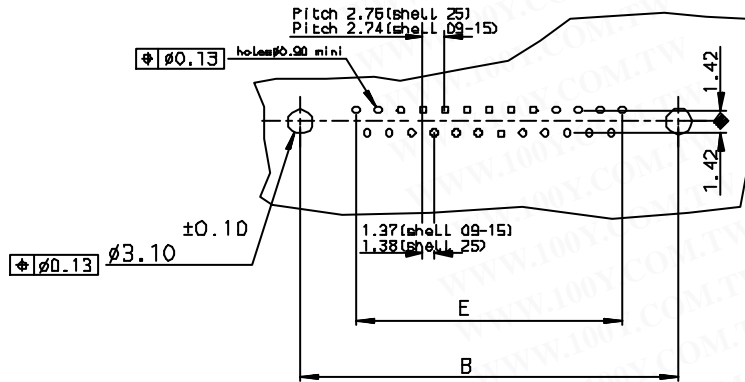


勝特力材料 886-3-5753170  
 勝特力电子(上海) 86-21-34970699  
 勝特力电子(深圳) 86-755-83298787  
[Http://www.100y.com.tw](http://www.100y.com.tw)

SHELL	A±0.38	B±0.12	C±0.10	D±0.25	E±0.07	G±0.25	PART NUMBER
09	30.81	24.99	16.96	16.79	10.96	5.90	D09P33E4GX00**
15	39.14	33.32	25.18	25.12	19.18	5.90	D15P33E4GX00**
25	53.03	47.04	39.12	38.84	33.12	5.70	D25P33E4GX00**

GENERAL CHARACTERISTICS, SEE DRAWING C01-8646-D000

LF FOR LEAD FREE



INDEX	DATE	REVISION DESCRIPTION
c	27/7/05	LEAD FREE DETAILS ADDED

Utr	Eon no	Dr	date
c	105-0124	J5	27/7/05

Dr JOHN SLEBSA		27/10/97	Product Family	D-SUB	Tolerance	Projection	MM
Eng GEORGE VJ <td>27/10/97</td> <td>Spec ref <td>A3 <td>LINEAR ±0.1</td> <td>ANGULAR ±1°</td> <td>Scale</td> </td></td>		27/10/97	Spec ref <td>A3 <td>LINEAR ±0.1</td> <td>ANGULAR ±1°</td> <td>Scale</td> </td>	A3 <td>LINEAR ±0.1</td> <td>ANGULAR ±1°</td> <td>Scale</td>	LINEAR ±0.1	ANGULAR ±1°	Scale
Chr GEORGE VJ <td>27/7/05</td> <td>Material <td>ECN <td colspan="3"></td> </td></td>		27/7/05	Material <td>ECN <td colspan="3"></td> </td>	ECN <td colspan="3"></td>			
Appr K Somasundaram <td>27/7/05</td> <td colspan="2"></td> <td colspan="3"></td>		27/7/05					
<b>FCI</b>		Title	MALE CONNECT, DELTA D right angle with nut, harpoon & metal plate		Dwg no	C01-8646-0158-2	
Catalog no		DELTA-D		CUSTOMER COPY	Sheet 1 of 1		